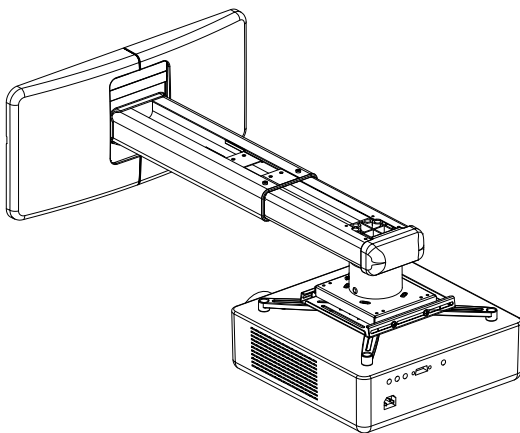


Installation manual

M Projector Mount Short Throw Deluxe 365-635

EAN: 7350073739833

- en Installation manual
- ar تبيثلا ليلد
- cz Instalační manuál
- da Installationsmanual
- de Installationsanleitung
- eo Paigaldusjuhend
- el Οδηγίες εγκατάστασης
- es Manual de instalación
- fi Asennusohje
- fr Installation Manuel
- he הנקתה ךירדמ
- hu Szerelési kézikönyv
- it Manuale di installazione
- jp 取り付け説明書
- kr 설치 설명서
- lt Montavimo instrukcija
- lv Uzstādīšanas rokasgrāmata
- nl Installatie handleiding
- no Installasjonshåndbok
- pl Instrukcja instalacji
- pt Manual de instalação
- ro Manual de instalare
- ru Инструкция по установке
- sk Inštaláčny manuál
- sl Navodila za montažo
- sv Installationsmanual
- tr Montaj kılavuzu
- zh 安装手册



en **IMPORTANT!**
Your Plasma, LCD, TV, Projector, Projector Screen or other HiFi equipment represents a considerable value.
If screws are included they may not be suitable for the material of your wall, ceiling or floor. Replace the screws with suitable ones if needed.
In case you are unsure regarding any aspects of the mounting of this product please Consult a professional.

ar **أهم!**
إن قيمة البلازما أو LCD أو الشاشات أو جهاز العرض أو شاشة العرض أو أجهزة هادي فاي الأخرى القيمة ذات قيمة عالية.
إذا كانت المسماري موجودة مع المنتج فقد لا تكون مناسبة للمواد التي تصنع منها الجدران، السقف أو الأرضية.
في حالة عدم اليقين بأي جوانب من تركيب هذا المنتج يرجى استشارة فني متخصص.

cz **DŮLEŽITÉ!**
Vaš plazmový nebo LCD televizor, projektor, plátno a další elektrotechnické vybavení je vysoké hodnotné.
Pokud jsou součástí balení produktu šrouby, zkontrolujte, zda jsou vhodné pro upevnění ke stěně, stropu nebo podlaze v místě instalace.
V případě, že nebudou přibalené šrouby vyhovovat, vyměňte je.
Pokud budete mít při montáži tohoto produktu potíže, obraťte se na zkušeného odborníka.

da **VIGTIGT!**
Din plasmaskærm, LCD-skærm, tv, projektor, projektor-skærm eller andet HiFi-udstyr repræsenterer en betydelig værdi. Hvis der medfølger skruer, passer de muligvis ikke til materialet i væggen, loftet eller gulvet. Udskift skruerne med passende skruer, hvis det er nødvendigt.
Hvis du er i tvivl om noget i forbindelse med monteringen af produktet, skal du kontakte en ekspert.

nl **BELANGRIJK!**
Uw Plasma, LCD TV, Projector, Projector scherm of andere HiFi-apparatuur vertegenwoordigt een aanzienlijke waarde.
Het kan zijn dat de bijgeleverde schroeven niet geschikt zijn voor uw toepassing. In dat geval dient u ze te vervangen door schroeven die wel geschikt zijn. Twijfelt U, raadpleeg dan een professional.

ee **TÄHTISI!**
Teie telet, projektor, projektori ekrään või muu HiFi seade on suure väärtusega.
Kui kinnitused on komplektis paigalduskruvid, siis ei pruugi need sobida Teie seinale, lae või põrandale materjaliga. Vajadusel vahetage kruvid sobivate vastu.
Kui Te ei ole seadme paigaldamise detaileid kindel, siis konsulteerige spetsialistiga.

de **ACHTUNG!**
Ihr Plasma-, LCD-, TV-Gerät, Ihr Projektor, Ihre Leinwand oder sonstige HiFi-Ausrüstung stellen einen beträchtlichen Wert dar. Die möglicherweise im Lieferumfang enthaltenen Schrauben sind unter Umständen nicht für das Material Ihrer Wände, Decken oder Böden geeignet. Ersetzen Sie sie bei Bedarf durch geeignete Schrauben.
Wenn Sie bezüglich der Montage des Produkts unsicher sind, wenden Sie sich an einen Fachmann.

el **ΣΗΜΑΝΤΙΚΟ!**
Οι τηλεοράσεις Plasma, LCD, ο κανονικός τηλεοράσεις ή οι άλλες προβολείς HiFi έχουν μία αξιοσημείωτη αξία. Αν περιλαμβάνονται βίδες, τους να μην είναι κατάλληλες για το υλικό του τοίχου, του τavanού ή του ηπιπόστρωτός σας. Αντικαταστήστε τις βίδες με κατάλληλες αν είναι απαραίτητο.
Στην περίπτωση που δεν είστε σίγουροι για κάποιες ζητήματα σχετικά με την προεργασία αυτού του προϊόντος, παρακαλούμε συμβουλευτείτε έναν ειδικό.

es **¡IMPORTANTE!**
Los equipos de plasma o LCD, los televisores, proyectores y pantallas de proyección, así como otros equipos de alta fidelidad suponen una inversión considerable. Si incluyen tornillos, puede que no sean adecuados para el material del que están formados la pared, el techo o el suelo. Sustituya estos tornillos por otros más adecuados si es preciso.
Si no está seguro sobre cualquier aspecto del montaje de este producto, consulte a un profesional.

fi **TÄRKEÄÄ!**
Plasma- tai nestekidenäyttötin, televisioiden, projektorien ja niiden valkokäintaiden sekä muitten hiifilaitteiden arvo on huomattava. Laitteen mukana toimitettavat ruuvit eivät välttämättä sovellu seinien, katon tai lattian materiaaliin. Korvaa ne tarvittaessa sopivilla ruuveilla.
Mikäli olet epävarma mistä tahansa tämän tuotteen kiinnittämiseen liittyvästä seikasta, ota yhteyttä asiantuntijaan.

fr **IMPORTANT!**
Vos écrans plasma, LCD, télévisions, projecteurs, écrans de projection ou autre matériel HiFi ont une valeur considérable. Les vis fournies peuvent ne pas être compatibles à la nature de vos murs, plafonds et sols. Remplacez-les par des vis adaptées.
Si vous avez des doutes quant au montage de ce produit, veuillez consulter un professionnel.

hu **FONTOS!**
Plazma, LCD TV-d, projektorod, vetőkijávszmad vagy egyéb műszaki berendezések értéktényezői értékesek. Ha a csavaroktól tartalmazzák, akkor sem biztos, hogy alkalmas a berendezés, hogy falra, mennyezetre, vagy a padlóhoz rögzítsd. Cseréld ki a csavarokat a megfelelőre, ha szükséges. Abban az esetben, ha nem biztos a termék beépítésével kapcsolatban, forduljon szakemberhez.

it **IMPORTANTE!**
I vostri Plasma, LCD, TV, proiettori, schermi di proiezione o altri apparecchi Hi-Fi rappresentano un notevole investimento. Le viti in dotazione potrebbero rivelarsi non adatte per il materiale della parete, del soffitto o del pavimento. Sostituitele quindi con viti più idonee in caso di necessità.
Nel caso riscontrate problemi nel montaggio di questo prodotto, consultate un tecnico specializzato.

jp **重要!**
あなたのプラズマ、LCDは、テレビ、プロジェクタ、プロジェクタースクリーンまたは他のHiFiコンポーネントはかなりの価値を表します。
ネジが含まれている場合、彼らはあなたの壁、天井や床の材質に適していないかもしれません。
必要に応じて適切なものでネジを取り付けます。
ケースでは、本製品の取り付けのいずれかの側面に関して不明な点があるプロに相談してください。

no **VIKTIG!**
Din plasma, LCD, TV, projektor, projektor-skjerm eller annet HiFi-utstyr har betydelig verdi. Hvis skruer følger med, er det ikke sikkert at de passer til materialet i veggene, taket eller gulvet. Bytt skruene i skruer som er egnet om nødvendig.
Hvis du er usikker når det gjelder monteringen av dette produktet, må du kontakte en profesjonell.

pl **UWAGA!**
Monitor plazmowy, LCD, telewizor, projektor, ekran projekcyjny lub inny sprzęt HiFi stanowi znaczną wartość. Jeśli dołączono do niego śruby mocujące, mogą one nie być odpowiednie do materiału, z którego wykonano są dane ściany, sufit lub podłoga. W razie potrzeby należy je zastąpić odpowiednimi śrubami.
W razie jakichkolwiek wątpliwości dotyczących montowania tego urządzenia należy zasięgnąć porady u specjalisty.

pt **IMPORTANTE!**
O seu Plasma, LCD, TV, projetor, tela de projeção ou outro equipamento de HiFi representa um valor considerável.
Se os parafusos estão incluídos eles podem não ser adequados para o material da sua parede, teto ou chão.
Substitua os parafusos com os adequados, se necessário.
Em caso de dúvida sobre quaisquer aspectos da montagem deste produto, consulte um profissional.

li **SVARIG!**
Jūsu Plasma, LCD, TV, projektor, projektorā ekrāns vai cita HiFi iekārtas veido ievērojamu vērtību.
Iekārtas skrūves var būt nepiemērotas jūsu sienai, griestam vai grīdas materiālam.
Nomainiet skrūves ar piemērotām skrūvēm, ja nepieciešams.
Gadījumā, ja jūs neesat pārliecināts par jebkuriem šo produktu montāžas un stiprinājuma aspektiem, lūdz konsultēties ar speciālistu.

lt **SVARBU!**
Jūsū plazminis TV, LCD, LED televizorius, projektorius, projektoriaus ekranas ar kita HiFi įranga turi didelę vertę.
Jei varžtai yra komplekte, jie gali netikti pas Jus panaudotoms sienų, lubų ar grindų medžiagoms.
Paieškite varžtus į tinkamus, jei reikia.
Jei nesate tikras dėl bet kurio šio produkto montavimo aspekto - prašome kreiptis profesionalui.

ro **IMPORTANT!**
Plasma ta, LCD, TV, projector, ecran de proiectie sau alte echipamente HiFi reprezintă o valoare considerabilă.
În cazul în care suruburile sunt incluse ele nu pot fi potrivite pentru materialul peretelui dvs., tavan sau podea.
Remontați suruburile cu cele adecvate, dacă este necesar.
În cazul în care nu sunteți sigur cu privire la orice aspecte ale montării acestui produs vă rugăm să consultați un profesionist.

ru **ВНИМАНИЕ!**
Какая бы оборудованием HiFi вы ни пользовались, будь то плазменный, ЖК или стандартный телевизор, проектор или проекционный экран - все они представляют значительную ценность. Не всегда крепления, прилагаемые в комплекте, подходят к материалу ваших стен, потолка или пола. При необходимости замените их на более подходящие.
Если у вас есть какие-либо сомнения относительно того, как крепить данный продукт, пожалуйста, проконсультируйтесь у квалифицированного специалиста.

sv **VIKTIG!**
Din plasmaskärm, LCD-skärm, TV, projektor, projektor-skärm eller annan HiFi-utrustning representerar ett ansenligt värde. Om skruvar medföljer utrustningen är det inte säkert att de passar för materialet i väggen, taket eller golvet. Byt ut skruvarna mot lämpliga skruvar om så krävs. Kontakta en expert om du är osäker på något i samband med monteringen av produkten.

sk **DŮLEŽITÉ!**
Vaš plazmový alebo LCD televizor, projektor, plátno a ďalšie elektrotechnické vybavenie je vysoko hodnotné.
Pokiaľ sú súčasťou balenia produktu skrutky, skontrolujte, či sú vhodné pre upevnenie k stene, stropu alebo podlahe v mieste inštalácie.
V prípade, že nebudú pribalené skrutky vyhovovať, vymeňte ich.
Pokud budete mať při montáži tohoto produktu potíže, obraťte se na zkušeného odborníka

sl **POMEMBNO!**
Vaš Plasma, LCD, TV, projektor, projekcijsko platno ali drugo HiFi oprema predstavlja pomembno vrednost.
Če so vključeni vijaki ne smejo biti primerni za material svojega stene, strop ali tla. Ponovno namestite vijake z ustreznimi tistih, če je potrebno.
V primeru, da ste prepričani o vseh vidih vgradnje tega izdelka se obrnite na strokovnjaka.

tr **ÖNEMLİ!**
Plazma, LCD TV, Projektor, Projektor Ekranınız veya diğer HiFi cihazınız son derece değerlidir. Birlikte verilen vidalar duvar, tavan veya döşeme teçhizatınıza uygun olmayabilir. Gerektiğinde vidaları uygun olanlarla değiştirin.
Bu ürünü monte ederken ilgili sorunlarınız olmasın halinde bir uzmanla yarıdın alın.

zh **重要提示!**
您的等离子、LCD、TV、投影机、投影机屏幕或其他HiFi设备都有不菲的价值。如果附带螺钉，它们可能不适合您的墙体、天花板或地板。
如果确实，请将螺钉更换为适当的型号。
如果对本产品安装的任何方面有疑问，请咨询专业人士。

Warning!

Always check the depth of the holes before starting an installation.

تحذير

الحرص دائما عمق الثقوب قبل أن تبدأ في عملية التركيب.

ADVARSEL!

Kontroller alltid hullernes dybde, før du går i gang med en installasjon.

WARNUNG! Vor Beginn des Einbaus immer die Tiefe der Bohrungen überprüfen.

ΠΡΟΕΙΔΟΠΟΙΗΣΗ!

Ελέγχετε πάντοτε το βάθος των οπών προτού ξεκινήσετε την εγκατάσταση.

WARNING!

Always check the depth of the holes before starting an installation.

¡AVISO!

Controla siempre la profundidad de los agujeros antes de iniciar una instalación.

VAROITUS!

Selvitä reikien syvyyttä ennen asentamista alottamista.

ATTENTION !

Vérifiez toujours la profondeur des trous avant de commencer l'installation.

ATTENZIONE!

Verificare sempre la profondità dei fori prima dell'installazione.

Varovani!

Před zahájením instalace vždy zkontrolujte potřebnou hloubku všech otvorů.

ADVARSEL!

Sjekk alltid hvor dype hullene er før du begynner å montere.

OSTRZEŻENIE!

Przed przystąpieniem do montażu należy koniecznie sprawdzić głębokość otworów.

ПРЕДУПРЕЖДЕНИЕ!

Перед установкой всегда проверяйте глубину отверстий.

WARNING!

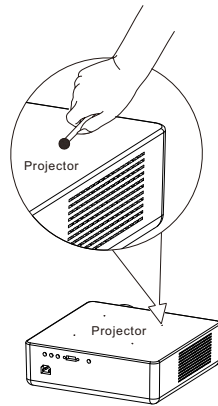
Kontrollera alltid hållens djup innan en installation påbörjas.

UYARI!

Montaja başlanmadan önce daima deliklerin derinliğini kontrol edin.

警告!

请始终在安装前检查孔洞的深度。



WARRANTY CARD

MULTIBRACKETS.COM

MULTIBRACKETS™ Limited Warranty

Multibrackets warrants its products to be free of defects in material and workmanship for the product's Warranty Period. The Warranty Period commences on the original purchase date of the product.

All Multibrackets products are covered by a limited product warranty:

- FIVE (5) years for metal video monitor mounts; all racks and non-electrical rack accessories
- TWO (2) years for gaslights and sit-stand workstations
- ONE (1) year for all motorized and/or automated products, plastic speaker mounts; all speaker stands; all furniture; all wood (MDF) accessories

For warranty claims made during the Warranty Period, MULTIBRACKETS will replace any defective product part free of charge. Should a part on your Multibrackets product fail, please create an RMA case on www.multibrackets.com/support to make a warranty claim. We will await your documentation and then discuss the problem with you and once we confirm the product is under warranty, we will ship replacement parts to you. This Limited Warranty does not cover the costs of removing and replacing defective parts from your Multibrackets product. So, if your problem requires a repair technician, you must pay any labor charges.

This Limited Warranty extends only to the original purchaser of the product and is automatically void if your Multibrackets product is modified in any way, improperly installed, taxed beyond its stated weight capacity or otherwise misused or abused. All Multibrackets products are intended for indoor use only and any

outdoor use voids this Limited Warranty. The Limited Warranty for wall and ceiling mounts is void if the mount is moved from its initial installation. To the maximum extent permitted by applicable law, Multibrackets disclaims any other warranties, express or implied, including warranties of fitness for a particular purpose and warranties of merchantability. Multibrackets will not be liable for any damages whatsoever arising out of the use or inability to use its products, even if Multibrackets has been advised of the possibility of such damages. To the maximum extent permitted by applicable law, Multibrackets disclaims any responsibility for incidental or consequential damages.

Multibrackets™ Stockholm Sweden 2016.
www.multibrackets.com

The content of this manual is subject to change without further notice. The latest version of this manual can be found online under the product name on the website: www.multibrackets.com

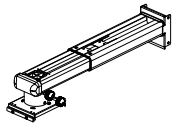
Important Safety

- 1 Be sure this manual is completely understood before installation work.
- 2 Installation or dismounting of the projector from the projector wall mount must be carried out only by qualified service personnel (two or more).
- 3 Use with products heavier than the maximum weights indicated may result in instability causing possible injury.
- 4 For safety reasons, check the strength of the wall before installation. If the wall is not strong enough, reinforce it sufficiently before installation.
- 5 Do not make alterations to the projector wall mount.
- 6 Do not install the projector wall mount on a wall subject to vibration or impact.
- 7 To avoid fire, do not install the projector with the projector wall mount in a humid or excessively dusty place.
- 8 Use the supplied accessories only. Use of accessories other than those supplied may result in damage to the projector wall mount.
- 9 When dismantling the projector from the projector wall mount, be sure to unplug the AC power cord and other connecting cables beforehand.
- 10 Do not hit or hang any heavy objects on the projector wall mount. If the projector wall mount is damaged, stop use and contact a qualified service person immediately.
- 10 Please install this apparatus only on the horizontal surface instead of the slanting one.

* Manufacturer is not liable for any damages or injury caused by mishandling or improper installation.

Checking The Supplied Accessories

NO	diagrammatic presentation	designation	quantity
A		Screw (M6X55)	5
B		Φ10mm Anchor bolt	5
C		L5 Allen key	1
D		L3 Allen key	1
E		Screw (M3X10)	4
F		Screw (M4X10)	4
G		Screw (M5X12)	4
H		Screw (M5X25)	4
I		Screw (M6X15)	4
J		M5 nuts	4
K		spacer(8.0)	4
L		M6 Connecting screws	4



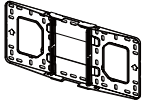
Fixed Support Arm X 1



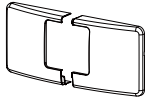
Projector Mounting Plate X 1



Mounting Arms X 4



Wall Plate X 1

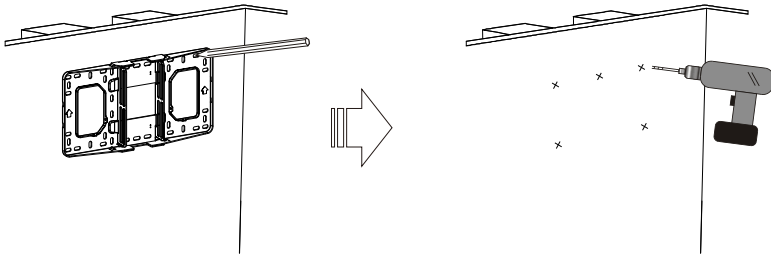


Wall Cover X 1

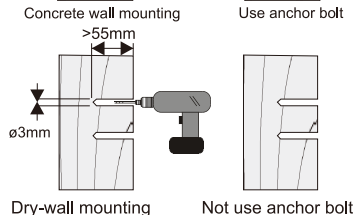
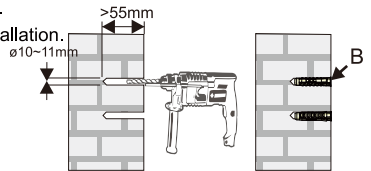
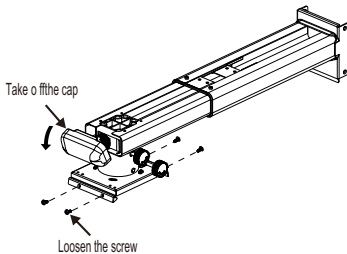


Wall Plate Cover X 1

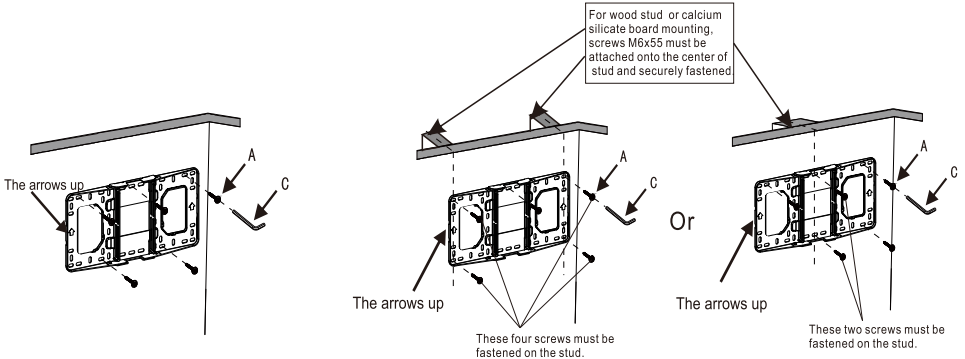
To Set The Projector Wall Mount On The Wall



- The bracket is suitable for concrete wall mounting or wooden stud wall.
- Concrete wall mounting thickness must be a minimum 4" (100mm). Anchor bolt and screw (M6 × 55) are needed to be used for concrete wall installation.
- Dry-wall wall thickness must be a minimum 4.5" (114mm). Only screw(M6 × 55) is needed to be used for installation, and gypsum board thickness less than 0.59" (15mm).
If the wall is not strong enough, reinforce it sufficiently before installation.
- Please contact reseller if you have any questions about mounting surface issue.

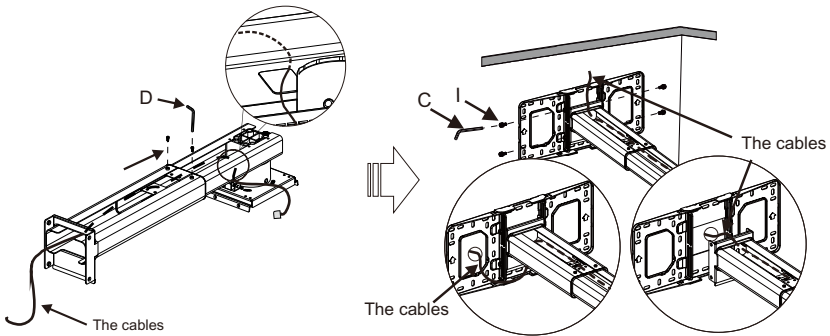


To Set The Projector Wall Mount On The Wall



screw (M6 × 55) and anchor bolts are needed for concrete wall mounting.

Only screw (M6 × 55) are needed for wood stud wall or calcium silicate board mounting.

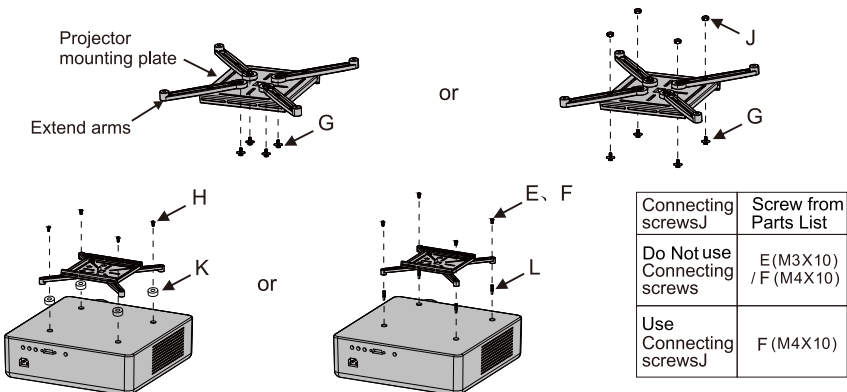


Loosen the screws with L3 allen wrench, pull out the support arm around 4" (100mm) and make power cable & signal cables go through the support arm.

The cables can be got through the wall plate by three ways as shown in the pictures. Then, Tighten the screw F after locating the projector position.

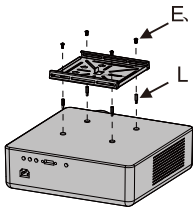
To Install The Projector On The Projector Wall Mount

a. Use the extend arms :

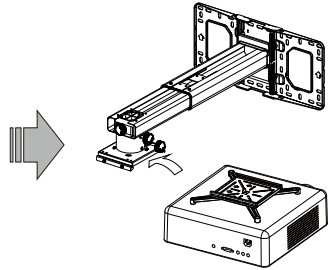


To Install The Projector On The Projector Wall Mount

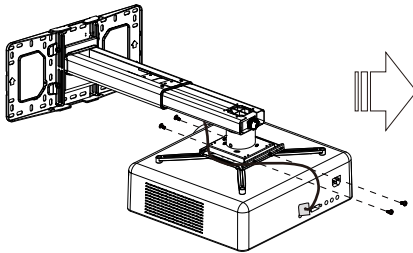
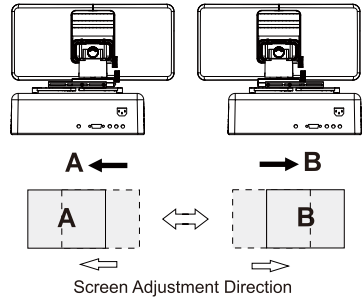
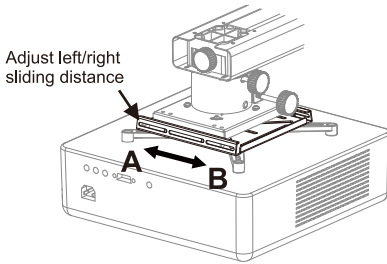
b. Do not use the extend arms :



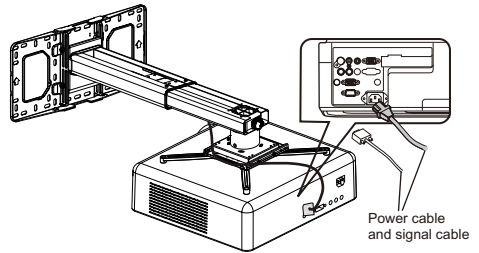
Connecting screws J	Screw from Parts List
Do Not use Connecting screws	E (M3X10) / F (M4X10) / G (M5X12)
Use Connecting screws L	F (M4X10)



● Move the projector mounting plate leftwards/rightwards to decide the projector position.

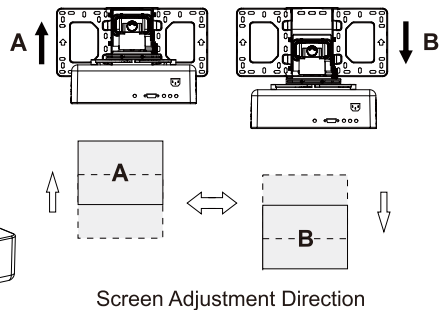
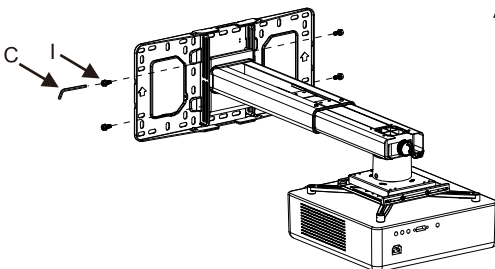


Tighten the screws

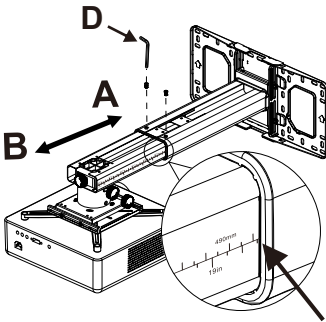


Connect power cable and other signal cable to projector

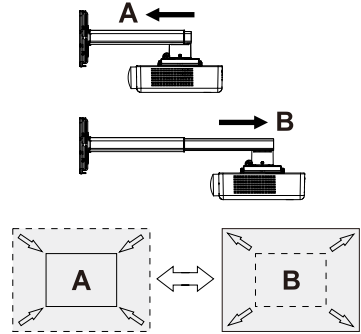
To Adjust The Projector Upwards/Downwards



To Adjust The Projector Forwards/Backwards



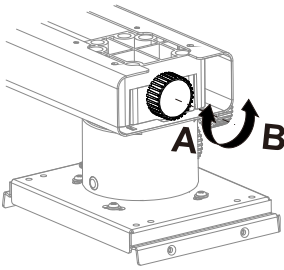
Check the scaleplate to see the distance from wall to the mounting plate



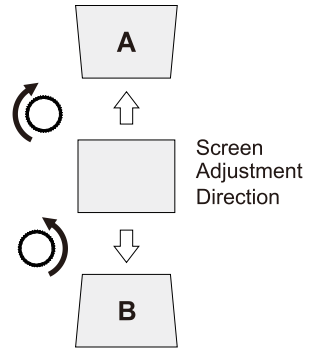
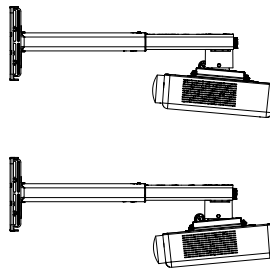
Screen Adjustment Direction

Note: To make adjustments to meet your demands, screws must be loosed in a specific order. (When the length of inside arm (895mm) don't meet your demands, then you should loose the screws on the outside arm to adjust the middle arm. Under this circumstance, the number read on the middle arm is right).

To Adjust The Vertical Tilt Knob

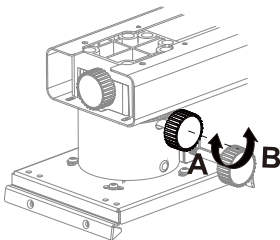


Adjustment Knob

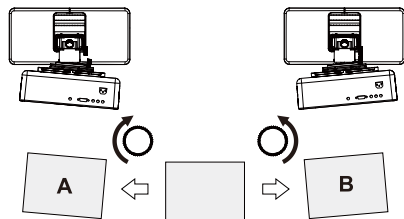


Screen Adjustment Direction

To Adjust The Horizontal Roll Knob

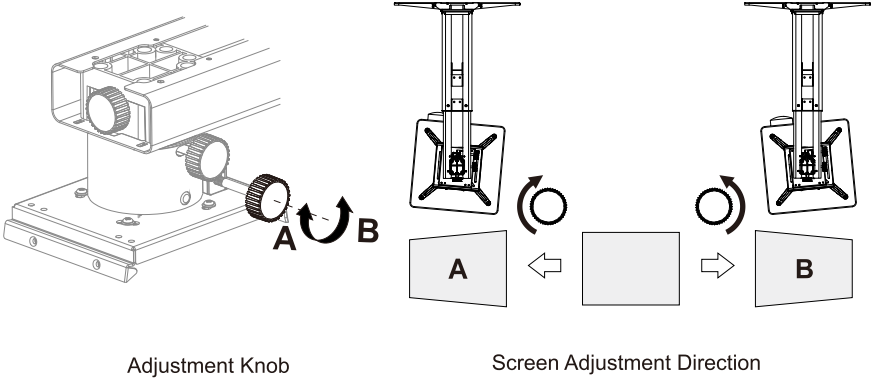


Adjustment Knob

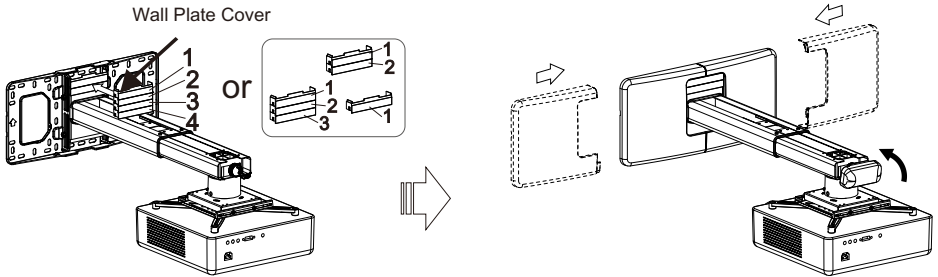


Screen Adjustment Direction

To Adjust The Horizontal Rotation Knob



To Place The Decorative Cover



Note: When all adjustments are done, the wall plate covers can be used to cover the blank area on the top of wall plate. The number of wall plate cover used depends on the size of blank area. But the wall cover must be used in an specific order as the picture on left shows. Finally, put the wall cover on.

Product Information :

Model	LT20C-F
NET Weight	9.31b(4.2kg)
Adjustable Range	14.4"-25.1"(365mm-635mm)
Adjustable Angle	± 5° tilt, left/right, front/rear and lateral rotation adjustment