



MOBILE CARTS FOR LARGE FLAT PANEL DISPLAYS

The XPO from Erard Pro is the answer to your problems of integrating a large flat screen display, components and cables into a mobile cart, and even better...the XPO is as stylish as it is functional

- Its mobile steel base and its aluminum stand were designed to hold **1 screen (up to 75")** or **2 screens (up to 75" depending on screen reference)**

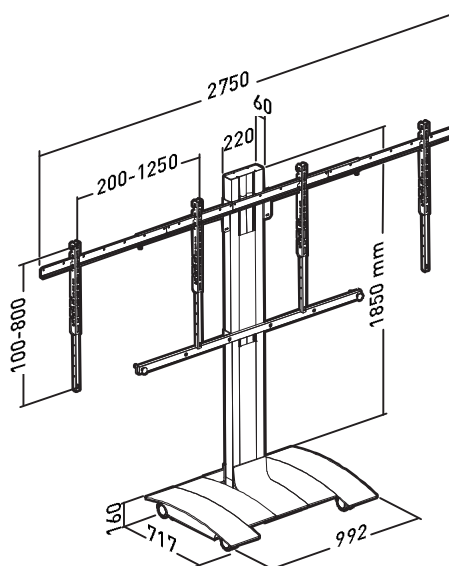
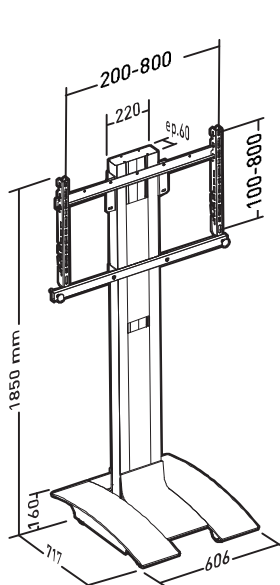
Up to 2X75"



1X75" portrait



1X75" landscape



120 KG

Base available with or without wheels
 Easily roll cart through standard size doorways
 Cables are stored neatly in our spacious column
 Electrical socket in the base
 Simple and easy installation
 Factory pre-assembled mount
 Custom packaging to protect the column



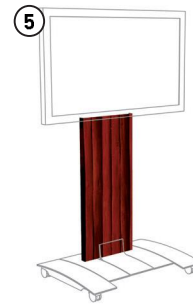
Ref 600000



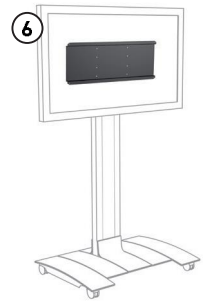
Ref 600004



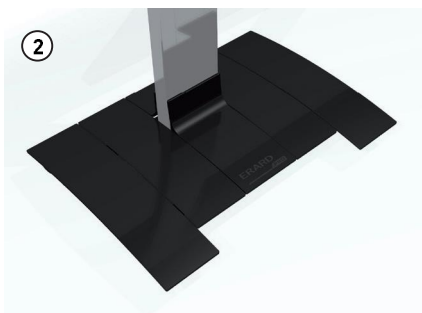
Ref 600007



Ref 600010



Ref 600002



Ref 600001



Ref 600003



Ref 600008



10

1 - Base small size

2 - Base big size

3 - Shelf (max load 15kg)

4 - 19" secure rackable module

for professional equipment

5 - Stylish decorated steel column covers

6 - Single screen mount

7 - Double screen mount

8 - Camera shelf

9 - CODEC box behind column ref. 600016

10 - Sound bar + sound bar mount ref. 610015

11 - Screen back cover R . 600027: portrait - 600028: landscape

12 - Screen mount VESA 800 R . 600017



11

NI UE PERSONALIZED SYSTEMS :

Stylish steel column covers decorated or painted in your company colours
 In addition, your logo or designs can be implemented for a perfect integration



Aluminium structure in two parts for an easy and quick cable management.

loor-Ceiling / loor-wall XP mount

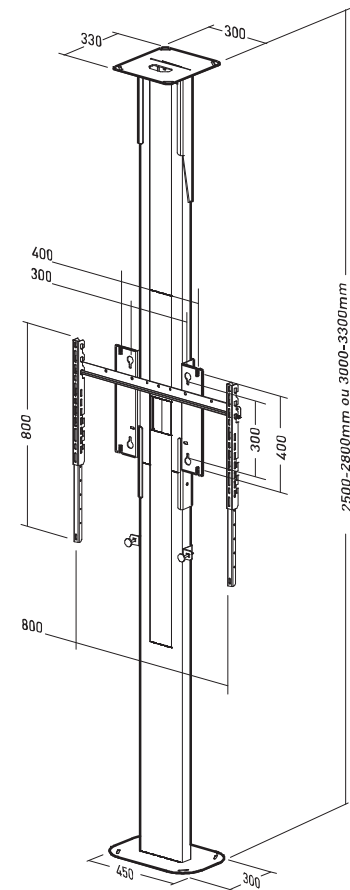
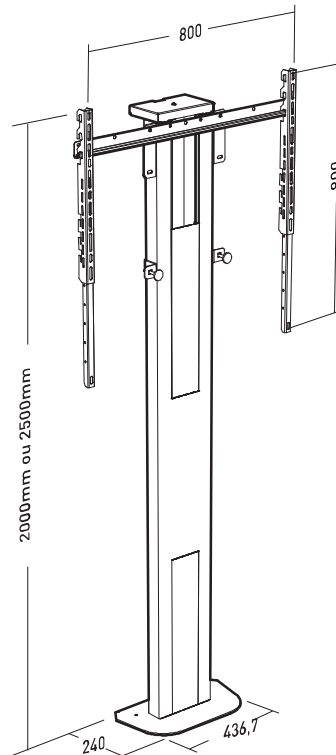
10 YEAR GUARANTEE

Aluminium profile with cable management
 Height 200 / 250 cm floor-wall or 250-330 cm floor-ceiling
 Adjustable height (30 cm) for the floor-ceiling model
 Mount compatible with most XPO options page 50 (consult us)

FLOOR-WALL XPO STAND

Ref.	
600100	Floor wall stand H 200 Anodized aluminium 1 part with a black base to bolt to the floor (distance from the wall: 7 cm)
600002	Mount for 1 screen VESA ≤ 800
600017	Mounting kit for 1 screen VESA > 800
600003	Mount for 2 screens side by side

Ref.	
600110	Floor wall stand H 250 Anodized aluminium 2 parts with a black base to bolt to the floor (distance from the wall: 7 cm)
600111	Mount for 1 screen ≤ 800 for 2 parts stand
600017	Mounting kit for 1 screen VESA > 800
600112	Mount for 2 screens side by side for 2 parts stand



FLOOR-CEILING XPO STAND

Ref.	
600120	Floor-ceiling stand H 250 / 280 Anodized aluminium 2 parts with a black base to bolt to the floor
600111	Mount for 1 screen VESA ≤ 800 for 2 parts stand
600017	Barre pour fixation 1 écran avec VESA > 800
600112	Mount for 2 screens side by side for 2 parts stand
600113	False ceiling cover – dimension: 360 x 199mm

Ref.	
600130	Floor-ceiling stand H 300 / 330 Anodized aluminium 2 parts with a black base to bolt to the floor
600111	Mount for 1 screen VESA ≤ 800 for 2 parts stand
600017	Barre pour fixation 1 écran avec VESA > 800
600112	Mount for 2 screens side by side for 2 parts stand
600113	False ceiling cover – dimension: 360 x 199mm