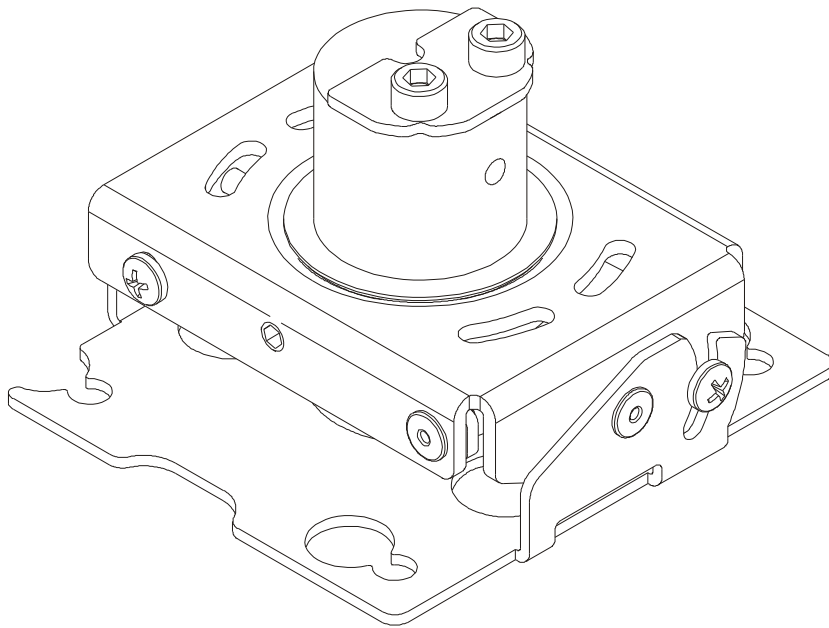

**INSTALLATION INSTRUCTIONS
INSTRUCTIONS D'INSTALLATION
MONTAGEANLEITUNG**



**RSE Projector Mounts
Supports pour projecteur RSE
RSE-Projektorhalterungen**

DISCLAIMER

Milestone AV Technologies, and its affiliated corporations and subsidiaries (collectively, "Milestone"), intend to make this manual accurate and complete. However, Milestone makes no claim that the information contained herein covers all details, conditions or variations, nor does it provide for every possible contingency in connection with the installation or use of this product. The information contained in this document is subject to change without notice or obligation of any kind. Milestone makes no representation of warranty, expressed or implied, regarding the information contained herein. Milestone assumes no responsibility for accuracy, completeness or sufficiency of the information contained in this document.

Chief® is a registered trademark of Milestone AV Technologies. All rights reserved.

! IMPORTANT SAFETY INSTRUCTIONS!

! WARNING: A WARNING alerts you to the possibility of serious injury or death if you do not follow the instructions.

! CAUTION: A CAUTION alerts you to the possibility of damage or destruction of equipment if you do not follow the corresponding instructions.

! WARNING: Failure to read, thoroughly understand, and follow all instructions can result in serious personal injury, damage to equipment, or voiding of factory warranty! It is the installer's responsibility to make sure all components are properly assembled and installed using the instructions provided.

! WARNING: Failure to provide adequate structural strength for this component can result in serious personal injury or damage to equipment! It is the installer's responsibility to make sure the structure to which this component is attached

can support five times the combined weight of all equipment. Reinforce the structure as required before installing the component.

! WARNING: Exceeding the weight capacity can result in serious personal injury or damage to equipment! It is the installer's responsibility to make sure the combined weight of all components attached to the RSE does not exceed 25 lbs (11.37 kg).

- The weight capacity of the RSE may be LIMITED to the lowest weight capacity of any other components located between the RSE and the supporting structure!

! WARNING: Use this mounting system only for its intended use as described in these instructions. Do not use attachments not recommended by the manufacturer.

! WARNING: Never operate this mounting system if it is damaged. Return the mounting system to a service center for examination and repair.

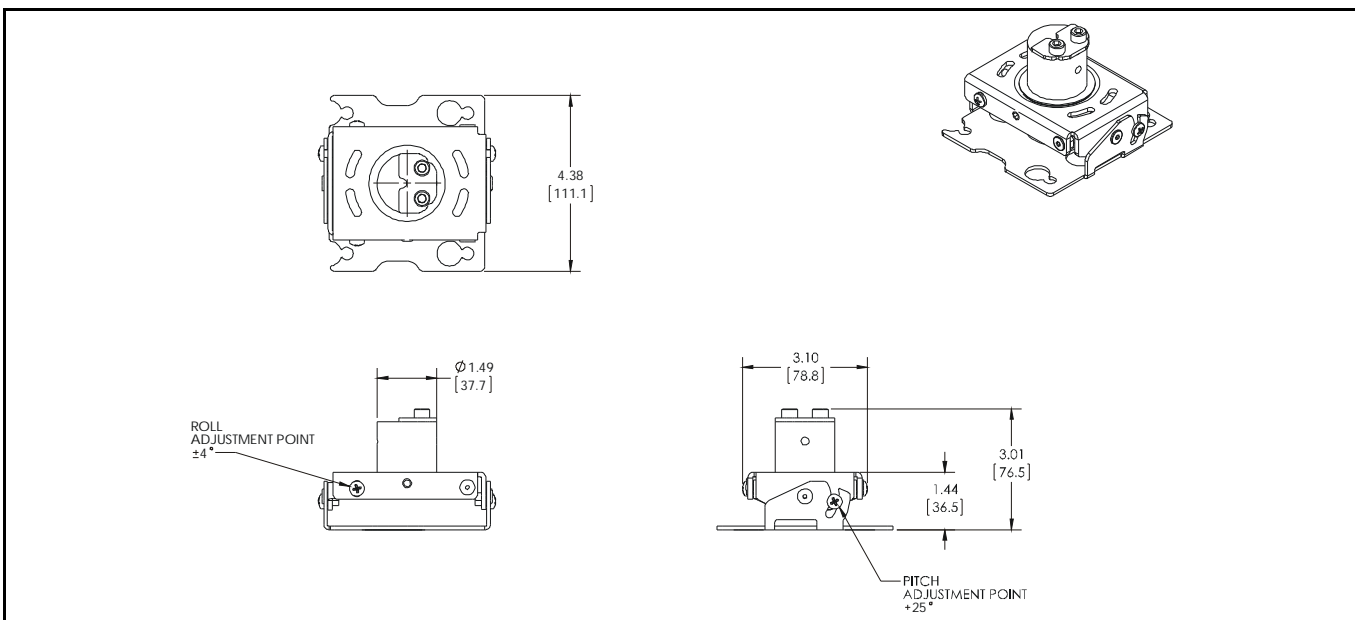
! WARNING: Do not use this product outdoors.

IMPORTANT ! : The RSE mounts are designed to be:

- mounted to a 1-1/2" NPT or NPSM steel or aluminum threaded extension column; or
- mounted to double 2" x 4" wood stud cross bracing (1-1/2" on center) between two 2" x 4" ceiling joists;
- mounted to a concrete ceiling with a minimum thickness of 8" and a maximum drywall covering of 5/8"; or
- suspended from four #10-24 diameter (minimum) threaded rods (not included) which are secured to unistrut, angle or channel assembly overhead structural members (trusses or I-beams) by #10 channel nuts (not included).

--SAVE THESE INSTRUCTIONS--


DIMENSIONS

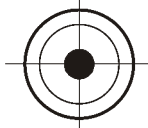


LEGEND

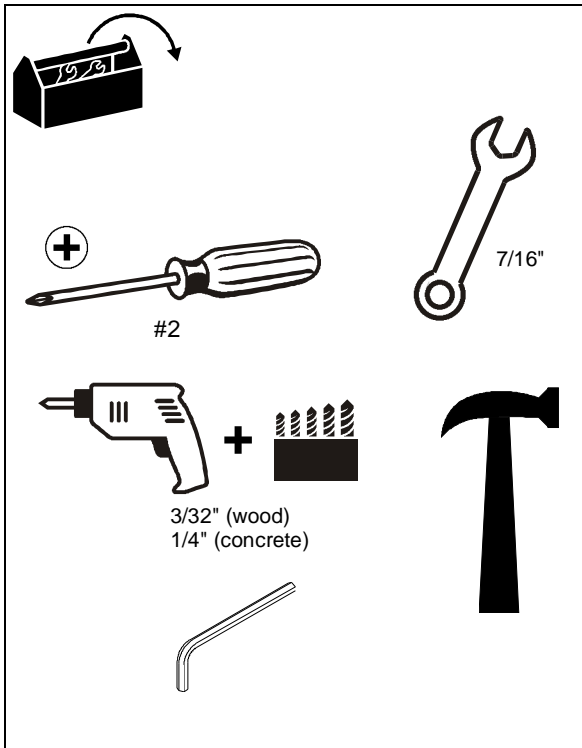
	Tighten Fastener
	Serrez les fixations
	Serrare il fissaggio
	Befestigungsteil festziehen
	Apretar elemento de fijación
	Bevestiging vastdraaien
	Apertar fixador
	Loosen Fastener
	Desserrez les fixations
	Allentare il fissaggio
	Befestigungsteil lösen
	Aflojar elemento de fijación
	Bevestiging losdraaien
	Desapertar fixador
	Phillips Screwdriver
	Tournevis à pointe cruciforme
	Cacciavite a stella
	Kreuzschlitzschraubendreher
	Destornillador Phillips
	Kruiskopschroevendraaier
	Chave de fendas Phillips
	Hex-Head Wrench
	Clé à tête hexagonale
	Chiave esagonale
	Sechskantschlüssel
	Llave de cabeza hexagonal
	Zeskantsleutel
	Chave de cabeça sextavada
	Open-Ended Wrench
	Clé à fourche
	Chiave a punte aperte
	Gabelschlüssel
	Llave de boca
	Steeksleutel
	Chave de bocas
	By Hand
	À la main
	A mano
	Von Hand
	A mano
	Met de hand
	Com a mão

	Pencil Mark
	Marquage au crayon
	Segno a matita
	Stiftmarkierung
	Marcar con lápiz
	Potloodmerkteken
	Marcar com lápis
	Drill Hole
	Percez un trou
	Praticare un foro
	Bohrloch
	Perforar
	Gat boren
	Fazer furo
	Adjust
	Ajuster
	Regolare
	Einstellen
	Ajustar
	Afstellen
	Ajustar
	Remove
	Retirez
	Rimuovere
	Entfernen
	Quitar
	Verwijderen
	Remover
	Optional
	En option
	Opzionale
	Optional
	Opcional
	Optie
	Opcional
	Security Wrench
	Clé de sécurité
	Chiave di sicurezza
	Sicherheitsschlüssel
	Llave de seguridad
	Veiligheidssleutel
	Chave de segurança

	Hammer
	Martillo
	Hammer
	Martelo
	Martello
	Hamer
	Marteau

	Target of Projector
	Punto de enfoque del proyector
	Ziel des Projektors
	Mira do projector
	Punto di proiezione
	Doel van de projector
	Cible du projecteur

TOOLS REQUIRED FOR INSTALLATION

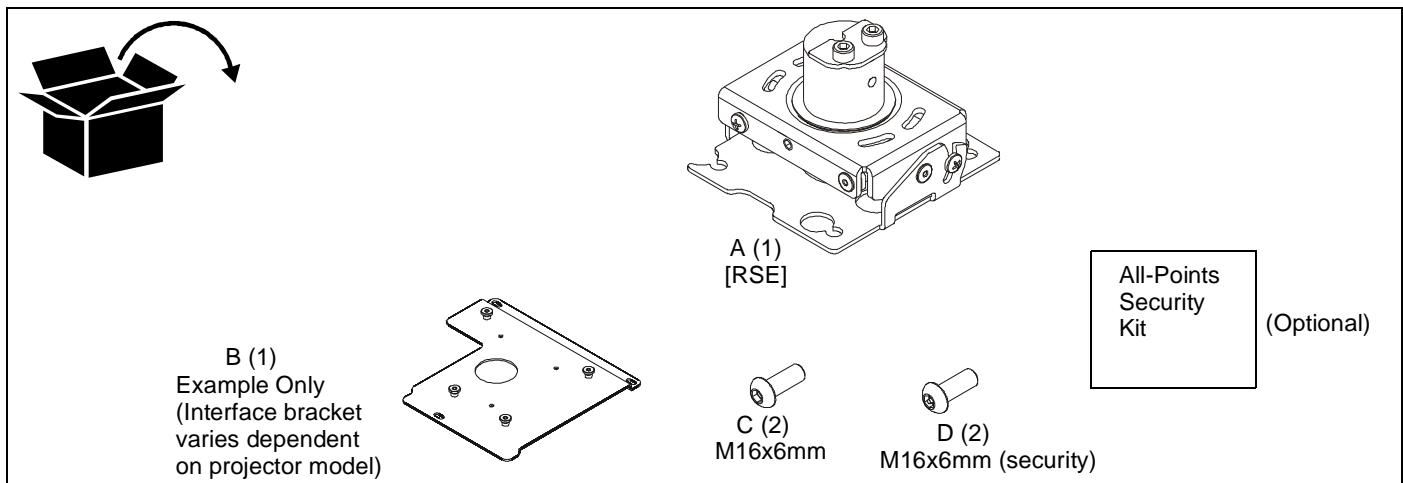


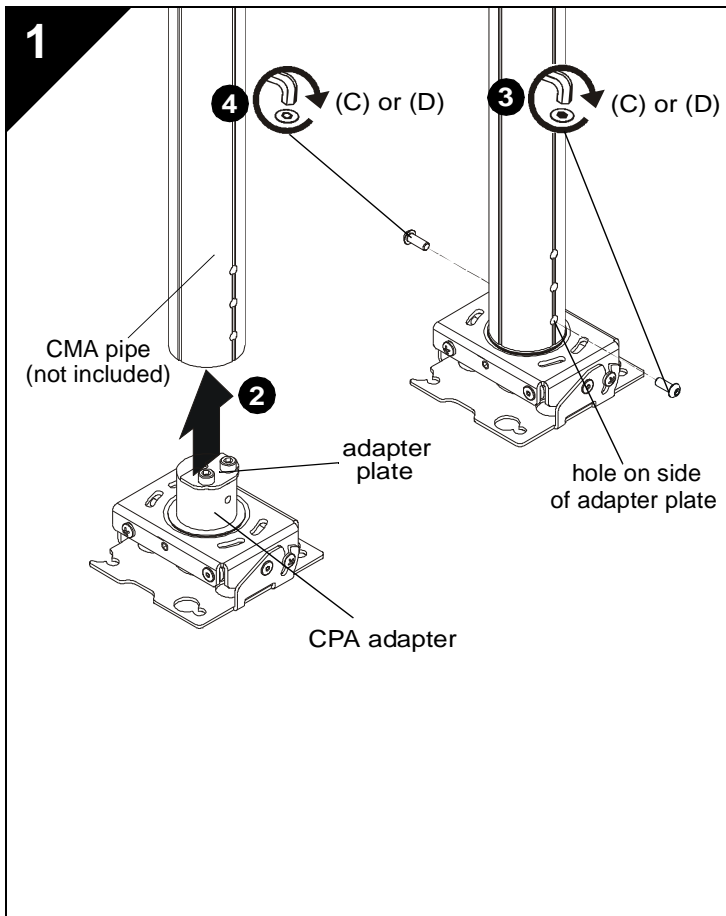
Hardware required - not included

(dependent on installation method)

1. Install to threaded extension column
 - 1-1/2" NPT or NPSM steel or aluminum threaded extension column rated for 50 lbs or greater
2. Install to wood ceiling joists
 - #10 x 3" Phillips head wood screws (Qty. 4)
 - #10 washers (Qty. 4)
3. Install to concrete
 - 3/8" x 2-1/4" Grade 2 concrete anchors (Qty. 4)
 - #10 washers (Qty. 4)
 - #10 x 3" Phillips head wood screws (Qty. 4)
4. Install to threaded rod
 - #10-24 steel threaded rods (Qty. 4)
 - #10-24 channel nuts (Qty. 4)
 - #10-24 jam nuts (Qty. 8)
 - #10 washers (Qty. 8)

PARTS

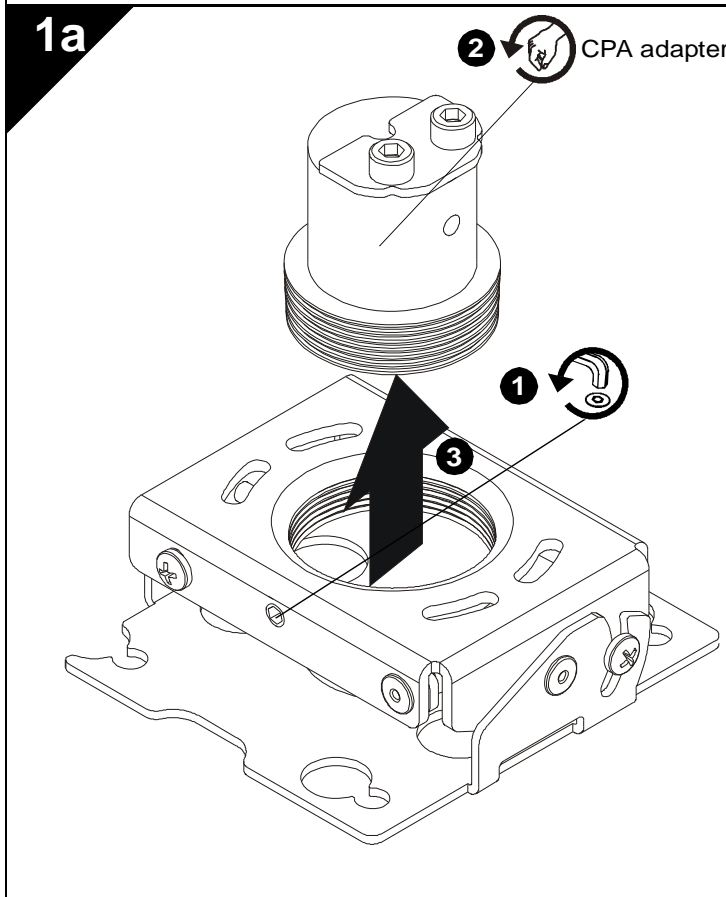




RSE INSTALLATION

CPA Pipe Installation

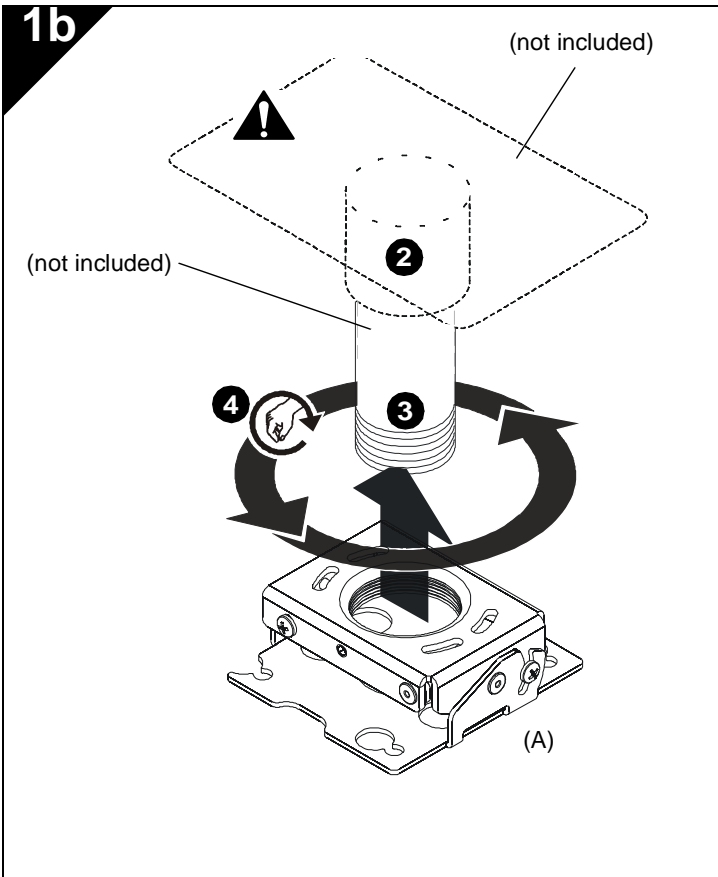
1. Carefully determine required mounting location. **IMPORTANT !** : This will require knowing the lens to screen distance. See projector specifications for details on determining this distance.
2. Making sure holes are aligned on RSE's CPA adapter and CPA column (not included), lift RSE into bottom opening of CPA column. (See Figure 1)
3. Install either one M6x16 button head screw (C) or security screw (D) into hole on side of CPA pipe where the adapter plate on CPA adapter is located.
4. On the opposite side of CPA pipe, use the other M6x16 button head screw (C) or security screw (D) to secure RSE (A) to CPA column.
5. Proceed to "Projector Installation" Section.



CPA Adapter Removal

NOTE: If installing RSE to anything other than a CPA column, the CPA adapter portion must be removed from RSE mount prior to installation.

1. Loosen set screw holding CPA adapter to RSE mount.
2. Turn CPA adapter counter-clockwise until threads are no longer engaged with RSE.
3. Remove CPA adapter from RSE.



RSE INSTALLATION

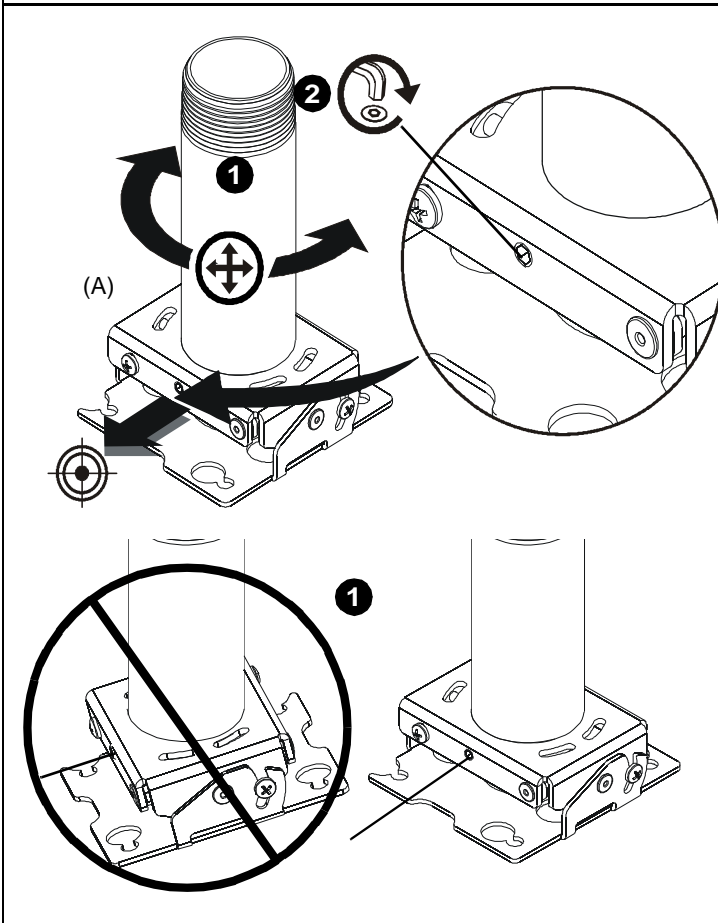
Threaded Pipe Installation

NOTE: CPA adapter must be removed prior to installing RSE to threaded pipe. See Section 1a for details.

1. Carefully determine required mounting location. **IMPORTANT ! :** This will require knowing the lens to screen distance. See projector specifications for details on determining this distance.
2. Install 1-1/2" NPT or NPSM steel or aluminum threaded extension column (not included) into threaded collar until tight, with a minimum of four threads engaged.

⚠ WARNING: IMPROPER INSTALLATION CAN RESULT IN SERIOUS PERSONAL INJURY OR DAMAGE TO EQUIPMENT! Structural members **MUST** be capable of supporting five times the combined weight of all equipment being mounted.

3. Align RSE with end of NPT pipe.
4. Thread RSE up onto pipe by turning counter-clockwise until hand tight.



Rough Alignment of RSE

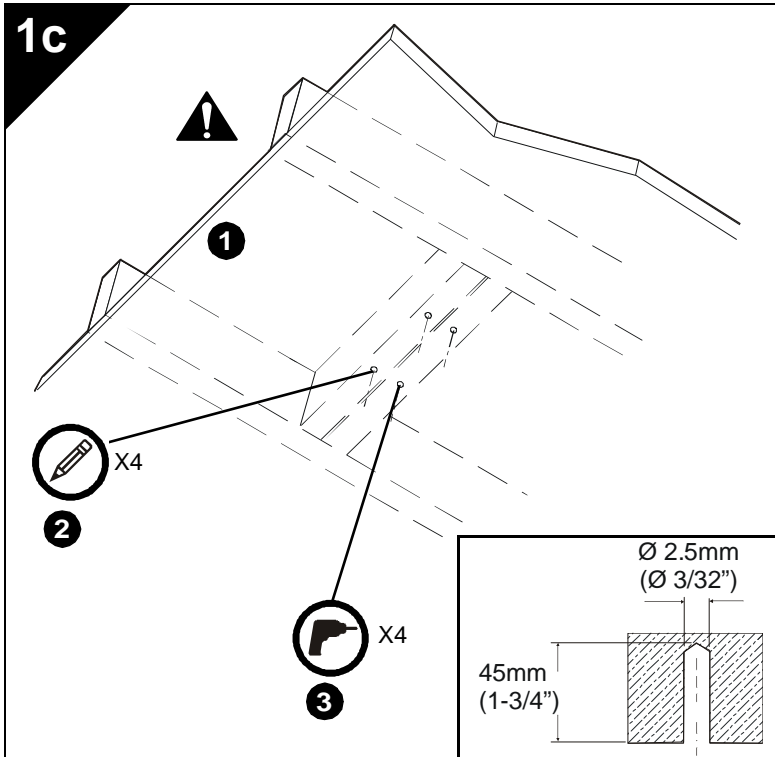
1. Turn RSE clockwise or counter-clockwise until front of mount is facing target.

IMPORTANT ! : When RSE is properly positioned, the set screw access hole should be pointing directly at target. (see bottom detail in figure at left)

2. Secure RSE to pipe by turning set screw with a 5/32" hex key until tight.

⚠ CAUTION: DO NOT OVERTIGHTEN!
Overtightening of set screw can damage threads on pipe.

INSTALLATION



Wood Stud Installation

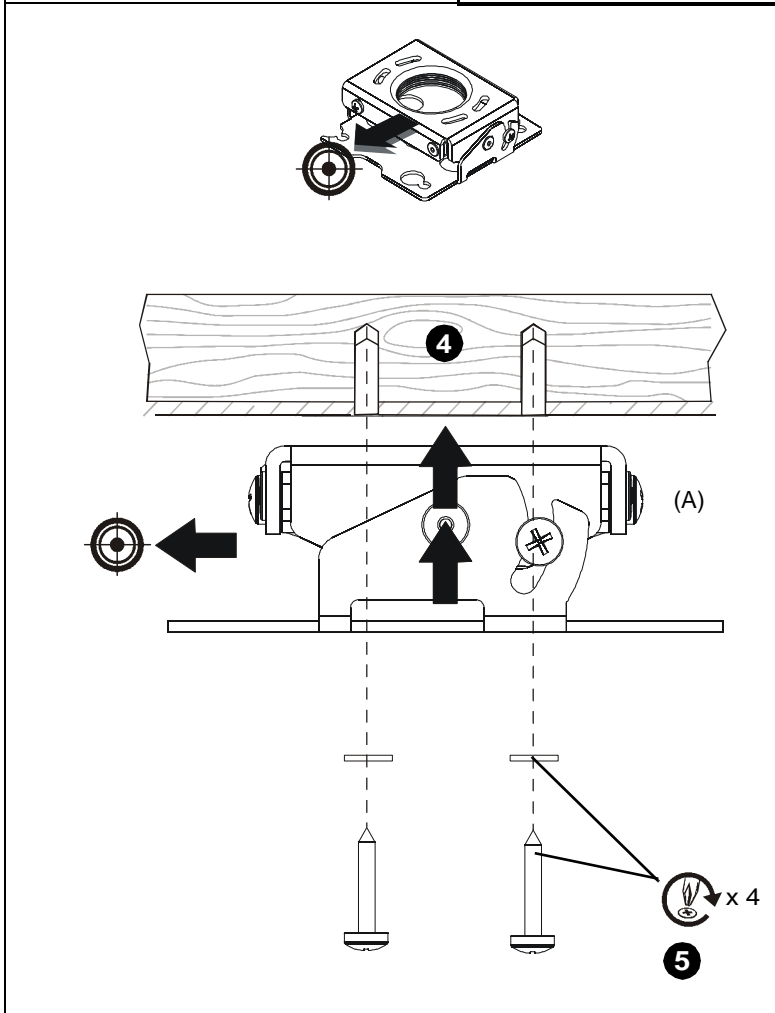
NOTE: CPA adapter must be removed prior to installing RSE to wood studs. See Section 1a for details.

- Carefully determine required mounting location.
IMPORTANT ! : This will require knowing the lens to screen distance. See projector specifications for details on determining this distance.

WARNING: IMPROPER INSTALLATION CAN RESULT IN SERIOUS PERSONAL INJURY OR DAMAGE TO EQUIPMENT! Structural members **MUST** be capable of supporting five times the combined weight of all equipment being mounted.

IMPORTANT ! : The RSE mounts are designed to be mounted to double 2" x 4" wood stud cross bracing (1-1/2" on center) between two ceiling joists.

- Using the RSE as a guide, mark four mounting hole locations with a pencil or similar tool. Hole locations must be centered on 2" x 4" cross braces.

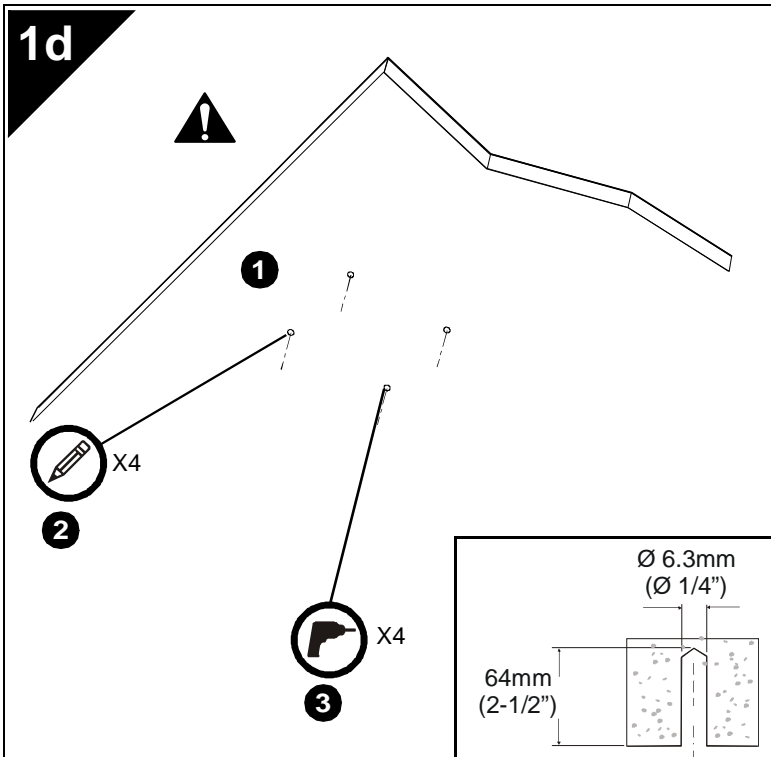


- Drill four 3/32" (2.5mm) dia. pilot holes to a depth of 1-3/4" (45mm) deep.

- Align four mounting holes in RSE with four pilot holes.

IMPORTANT ! : Make sure mount is properly oriented towards target before securing to structure.

- Secure RSE to structure using four #10 flat washers and four #10 x 3" Phillips head wood screws (not included).



Solid Concrete Installation

NOTE: CPA adapter must be removed prior to installing RSE to concrete. See Section 1a for details.

1. Determine mounting location.



WARNING: The RSE is designed to be mounted to a concrete ceiling with a minimum thickness of 8" and a maximum drywall covering of 5/8".



WARNING: IMPROPER INSTALLATION CAN RESULT IN SERIOUS PERSONAL INJURY OR DAMAGE TO EQUIPMENT! Structural members **MUST** be capable of supporting five times the combined weight of all equipment being mounted.

2. Using the RSE as a guide, mark four mounting hole locations on ceiling using a pencil or similar tool.
3. Drill four 1/4" (6.3mm) diameter pilot holes to a depth of 2-1/2" (64mm) deep.

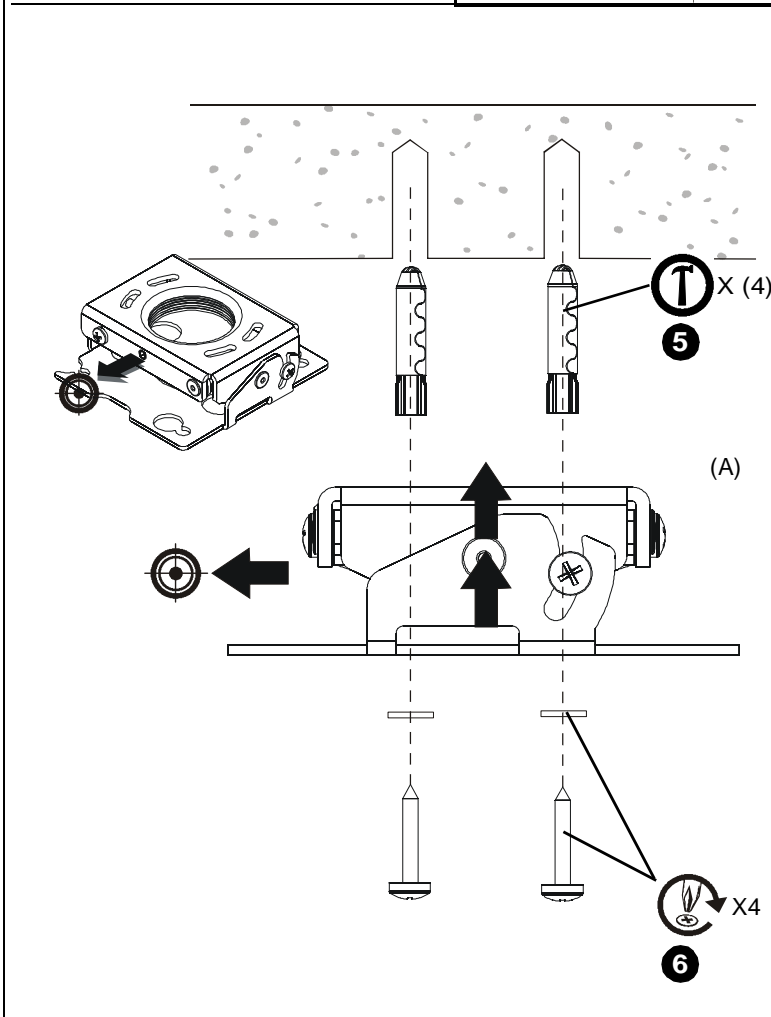
4. Align four mounting holes in RSE with four pilot holes.

IMPORTANT ! : Make sure mount is properly oriented towards target before securing to structure.

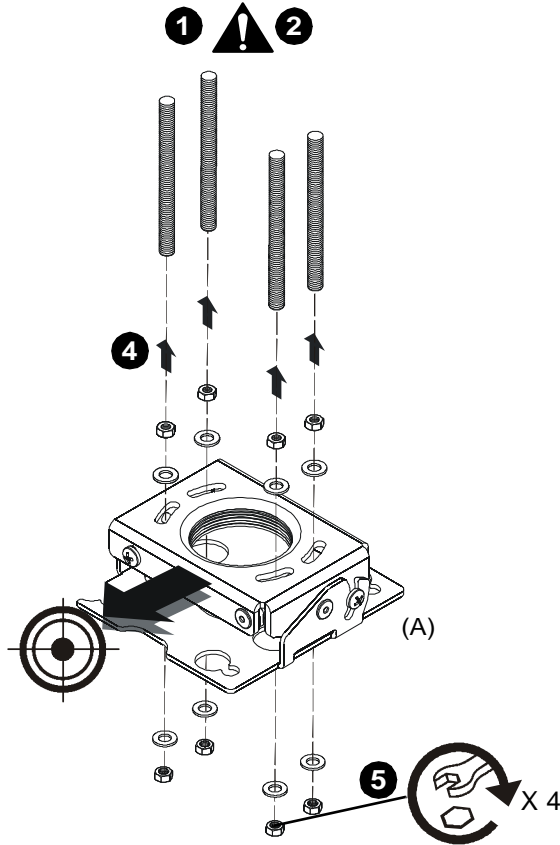


WARNING: Anchors (not provided) must be installed into structurally sound solid concrete. Installation into hollow concrete block, mortar, or concrete that exhibits cracking, spalling, or other defects may result in failure of anchor and serious personal injury or damage to equipment.

5. Install four 3/8" x 2-1/4" concrete anchors (not included) by inserting into pilot holes and pounding in until flush with mounting surface.
6. Secure RSE to structure using four #10 flat washers and four #10 x 3" Phillips head wood screws. (not included)



1e



Threaded Rod Installation

NOTE: CPA adapter must be removed prior to installing RSME to threaded rods. See Section 1a for details.

The RSE must be suspended from four #10-24 diameter (minimum) threaded rods (not included) which are secured to unistrut, angle or channel assembly overhead structural members (trusses or I-beams) by #10-24 channel nuts (not included).



WARNING: IMPROPER INSTALLATION CAN RESULT IN SERIOUS PERSONAL INJURY OR DAMAGE TO EQUIPMENT! Structural members **MUST** be capable of supporting five times the combined weight of all equipment being mounted.

1. Carefully determine required mount position. **IMPORTANT ! :** This will require knowing the lens to screen distance. See projector specifications for determining this distance.

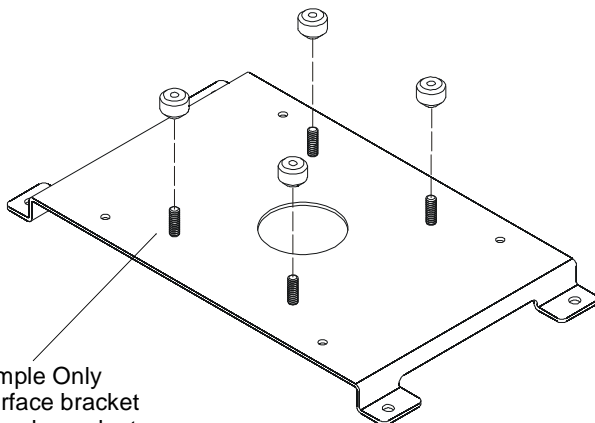
NOTE: Threaded rod and installation hardware not included.

2. Secure one end of the threaded rod to the structural member.
3. Install four #10-24 jam nuts on each threaded rod.
4. Install the RSE on the threaded rod.

NOTE: Hole in the RSE allows socket wrench access without unit disassembly.

5. Secure the RSE to the threaded rod using four #10 channel nuts.

2



Example Only
(Interface bracket varies dependent on projector model)

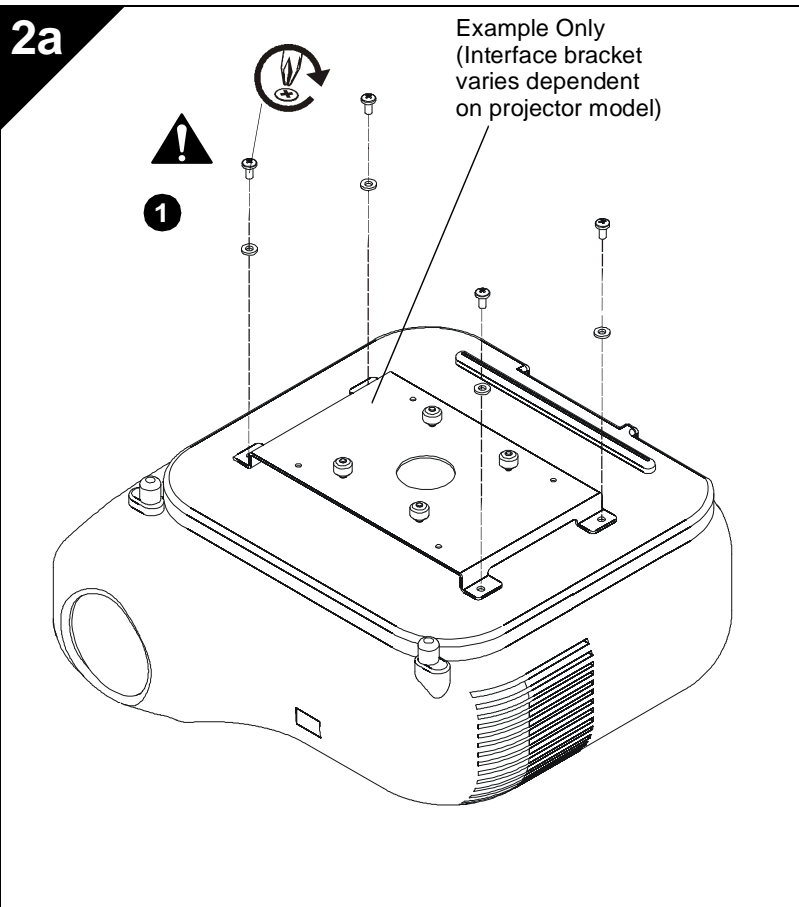
PROJECTOR INSTALLATION

IMPORTANT ! : Model RSE uses optional Chief "SSB" Series interface brackets. (See Parts drawing.)

Install Interface Bracket

1. Partially thread thumb nuts onto Phillips screws until screw end is visible in top of thumb screw.

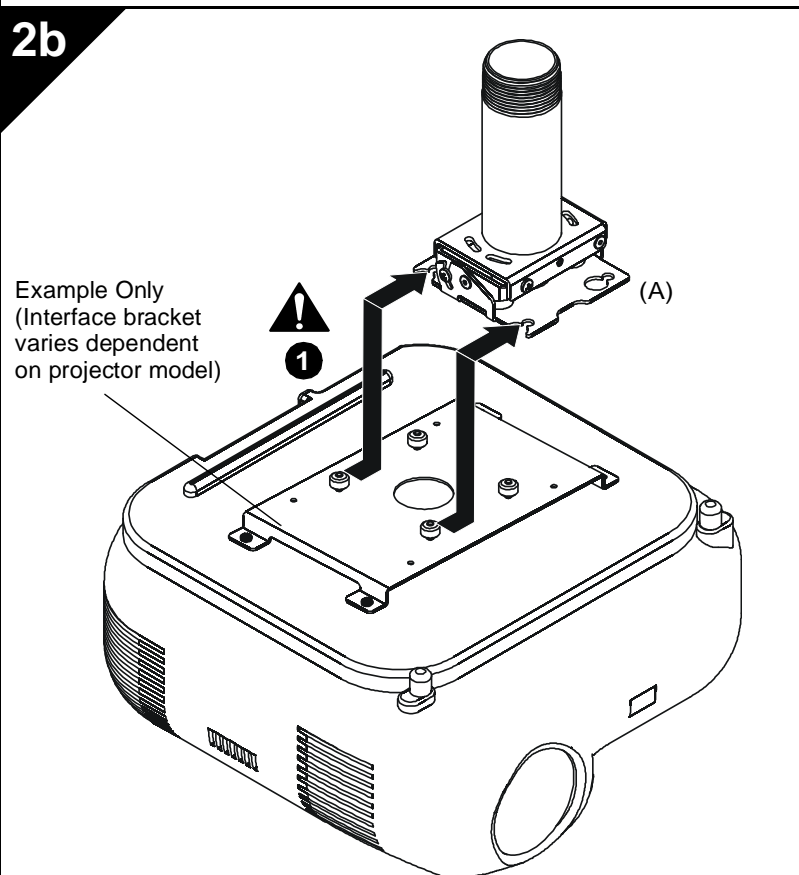
IMPORTANT ! : DO NOT fully tighten thumb screws at this time.



WARNING: IMPROPER INSTALLATION CAN LEAD TO PROJECTOR FALLING RESULTING IN SERIOUS PERSONAL INJURY OR DAMAGE TO EQUIPMENT. DO NOT substitute hardware. Use only the hardware provided by the manufacturer.

1. Secure interface bracket to mount using installation instructions and hardware provided with interface bracket.

NOTE: Interface brackets can be installed using the optional All-Points Security Kit included with the SSB mounting solutions.



Install Projector With Interface Bracket

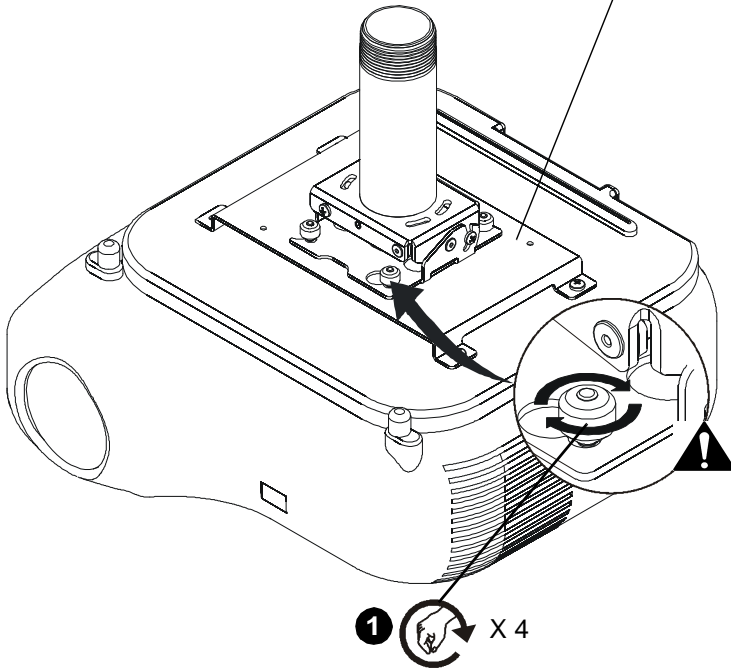
1. Orient projector with interface bracket as shown in figure 2b at left.
2. Lift projector so that screws with thumb nuts are aligned with mounting slots in mount base.
3. Slide projector with mounting bracket onto mounting slots in mount base until screws are seated against the back of mounting slots. See figure 2b and 2c.



WARNING: IMPROPER INSTALLATION CAN LEAD TO PROJECTOR FALLING RESULTING IN SERIOUS PERSONAL INJURY OR DAMAGE TO EQUIPMENT. Make certain mounting slots in mount base slide under thumb screws and that screws are seated in the back of slots.

2c

Example Only
(Interface bracket
varies dependent
on projector model)

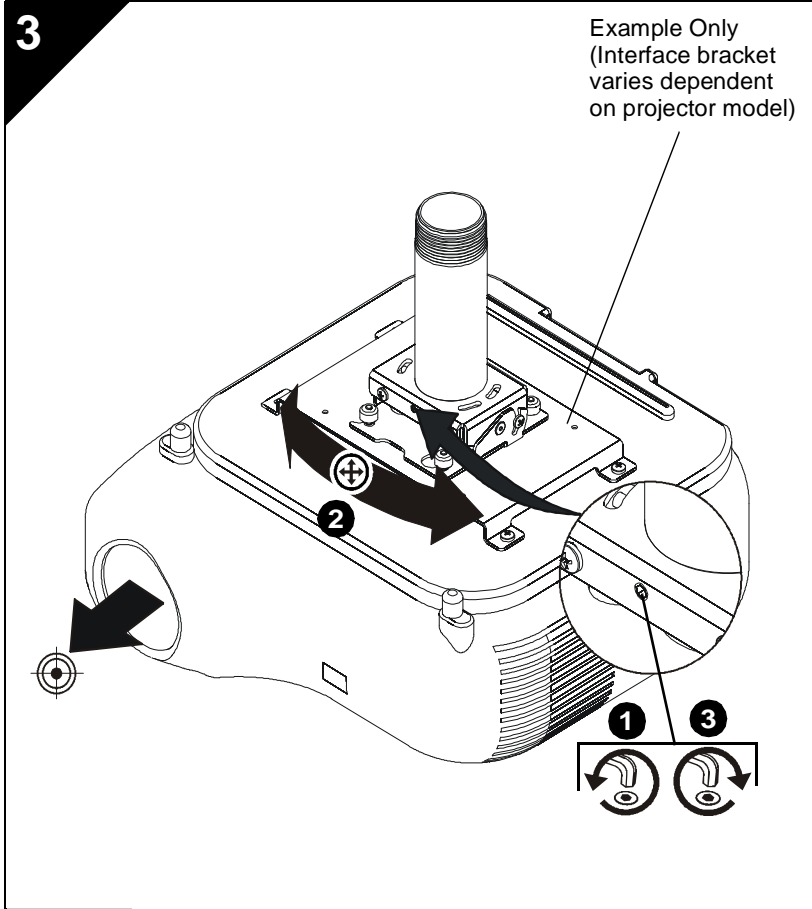


Securing Projector with Interface Bracket to Model RSE Mount



WARNING: IMPROPER INSTALLATION CAN LEAD TO PROJECTOR FALLING RESULTING IN SERIOUS PERSONAL INJURY OR DAMAGE TO EQUIPMENT. Make certain mounting slots in mount base slide under thumb screws and that screws are seated in the back of slots.

1. Turn thumb nuts until tight to secure projector to mount.



ADJUSTMENTS

YAW Adjustment

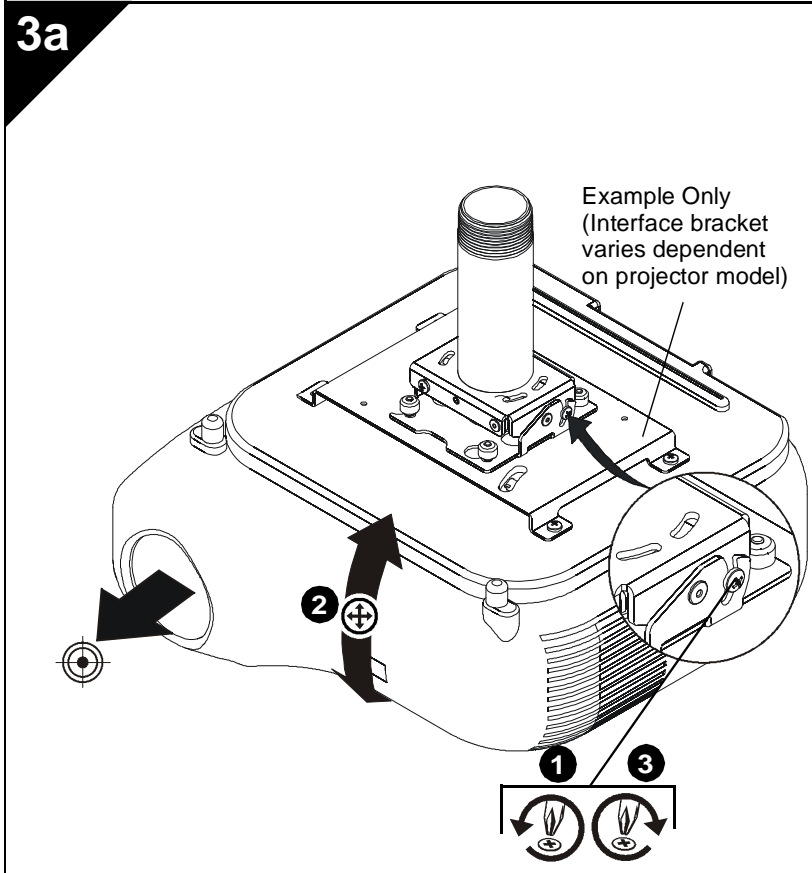
1. Loosen yaw adjustment screw using a 5/32" hex key.

NOTE: Yaw is only adjustable when attached to a threaded pipe.



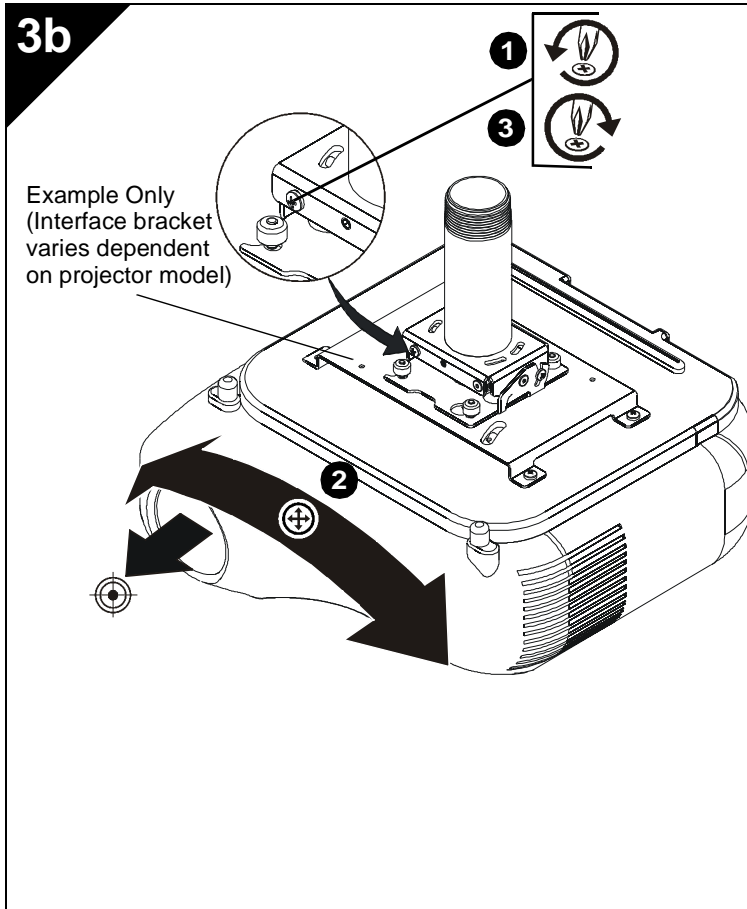
WARNING: Do not turn the projector to the end of the pipe threads. The projector, interface plate and projector will fall from the pipe if it is unthreaded too far! A minimum of four threads must be engaged in order to ensure a secure connection!

2. Adjust projector by turning the projector on the pipe to the desired yaw position.
3. Tighten yaw adjustment locking screw using a 5/32" hex key.



Pitch Adjustment

1. Loosen pitch adjustment locking screw on each end of the RSE projector mount using a #2 Phillips screwdriver.
2. Adjust projector angle to desired pitch.
3. Tighten pitch adjustment locking screw on each end of the RSE projector mount using a #2 Phillips screwdriver.



Roll Adjustment

1. Loosen roll adjustment locking screw on each side of the RSE projector mount using a #2 Phillips screwdriver.
2. Adjust projector to desired roll position.
3. Tighten roll adjustment locking screw on each side of the RSE projector mount using a #2 Phillips screwdriver.

CLAUSES DE NON-RESPONSABILITÉ

Milestone AV Technologies, ses filiales et entreprises affiliées (« Milestone ») ont fait en sorte que ce manuel soit exact et exhaustif. Cependant, Milestone ne garantit pas que les informations mentionnées au présent document couvrent tous les aspects, conditions ou variations dans le détail ; pas plus qu'elle ne fournit de solution pour chaque imprévu lié au type d'installation ou d'utilisation de ce produit. Les informations mentionnées au présent document sont susceptibles d'être modifiées sans aucun préavis ni obligation. Milestone ne consent aucune garantie, expresse ou implicite, au titre des informations contenues dans le présent document. Milestone ne garantit pas que les informations mentionnées au présent document soient exactes, exhaustives et suffisantes.

Chief® est une marque déposée de Milestone AV Technologies. Tous droits réservés.

DIRECTIVES DE SÉCURITÉ IMPORTANTES !



AVERTISSEMENT : Un AVERTISSEMENT vous indique qu'il existe un risque de blessures graves ou de décès si vous ne suivez pas les instructions.



MISE EN GARDE : Une MISE EN GARDE vous indique qu'il existe un risque de dommages ou de destruction du matériel si vous ne suivez pas les instructions correspondantes.



AVERTISSEMENT : Le fait de ne pas lire, de ne pas bien comprendre et de ne pas suivre toutes les instructions peut entraîner des blessures corporelles graves, endommager l'équipement ou annuler la garantie du fabricant ! Il est de la responsabilité de l'installateur de s'assurer que tous les composants sont correctement montés et installés conformément aux instructions fournies.



AVERTISSEMENT : Une résistance structurelle non appropriée pour ce composant peut entraîner des blessures corporelles graves ou endommager l'équipement ! Il est de la responsabilité de l'installateur de s'assurer que la structure à

laquelle ce composant est attaché peut supporter cinq fois le poids total de l'équipement. Si nécessaire, renforcez la structure avant d'installer cet élément.



AVERTISSEMENT : Le dépassement de capacité de poids peut causer de graves blessures corporelles ou endommager le matériel ! Il est de la responsabilité de l'installateur de s'assurer que le poids total de tous les composants fixés au RSE ne dépasse pas 11,37 kg (25 lbs).

- La capacité de poids du RSE peut être LIMITÉE à la capacité de poids la plus basse de tout autre élément situé entre le RSE et la structure de support !



AVERTISSEMENT : N'utiliser ce système de montage que pour l'usage prévu conformément à ces directives. Ne pas utiliser d'accessoires non recommandés par le fabricant.



AVERTISSEMENT : Ne jamais faire fonctionner ce système de montage s'il est endommagé. Dans ce cas, renvoyer le système à un service technique pour examen et réparation.



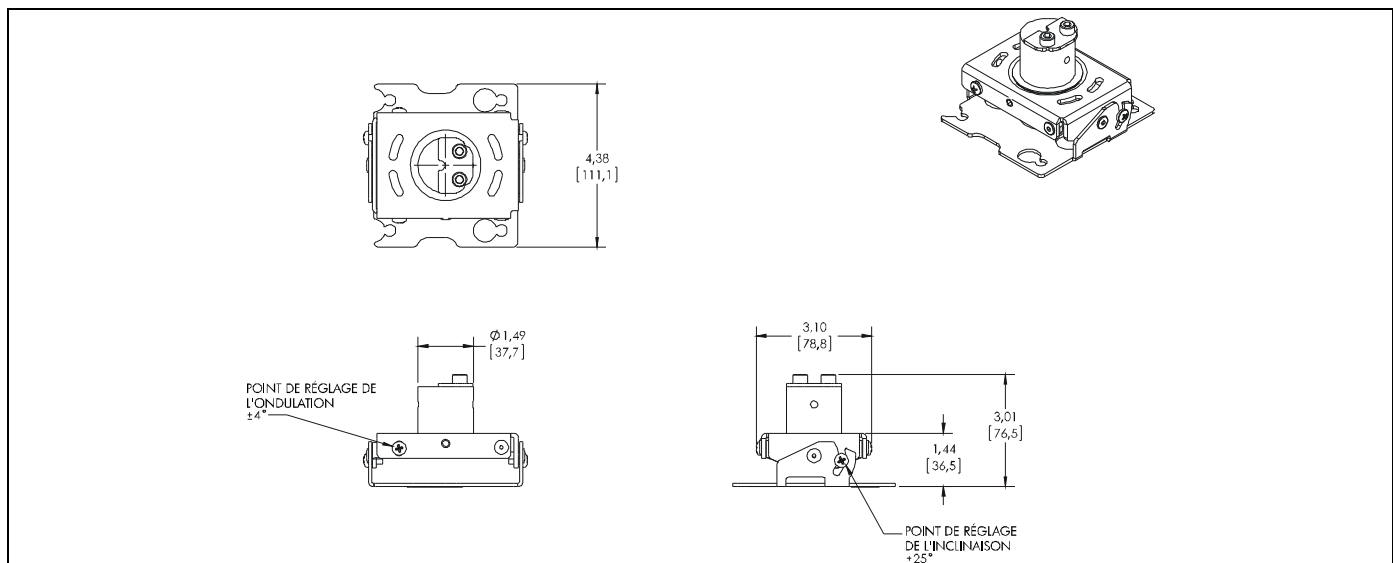
AVERTISSEMENT : Ne pas utiliser ce produit à l'extérieur.

IMPORTANT ! : Ces supports RSE sont conçus pour être :

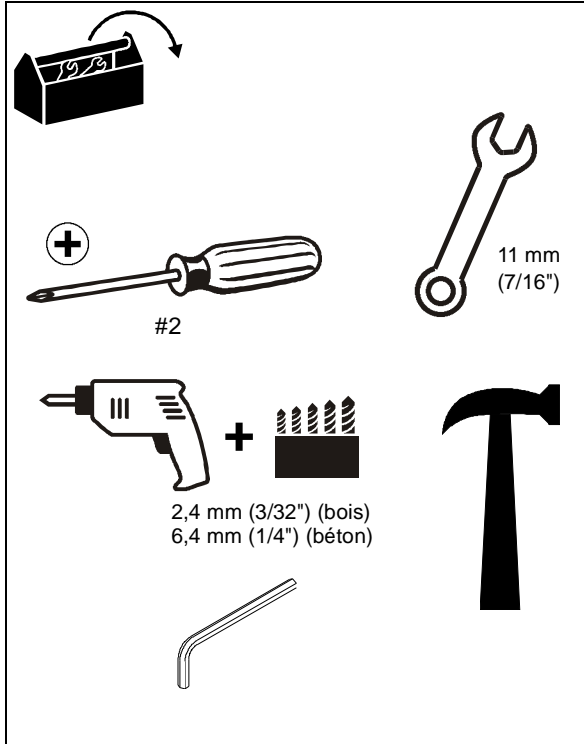
- fixés à une colonne d'extension en acier ou en aluminium NPT ou NPSM de 1-1/2" ; ou
- fixés à des doubles contreventements transversaux de montants en bois de 51 mm x 102 mm (2" x 4") (38,1 mm / 1-1/2" au centre) entre deux solives de plafond de 51 mm x 102 mm (2" x 4") ;
- fixés à un plafond en béton d'une épaisseur minimum de 203 mm (8") et avec un revêtement de cloison sèche d'épaisseur maximale de 16 mm (5/8") ; ou
- suspendus à l'aide de quatre tiges filetées (non incluses) #10-24 de diamètre (minimum), qui sont fixées à des membres structurels en hauteur d'assemblage de canal, d'angle ou Unistrut (fermes ou poutrelles) par des contre-écrous #10 (non inclus).

--RANGER CES CONSIGNES EN LIEU SÛR--

DIMENSIONS



OUTILS NÉCESSAIRES À L'INSTALLATION

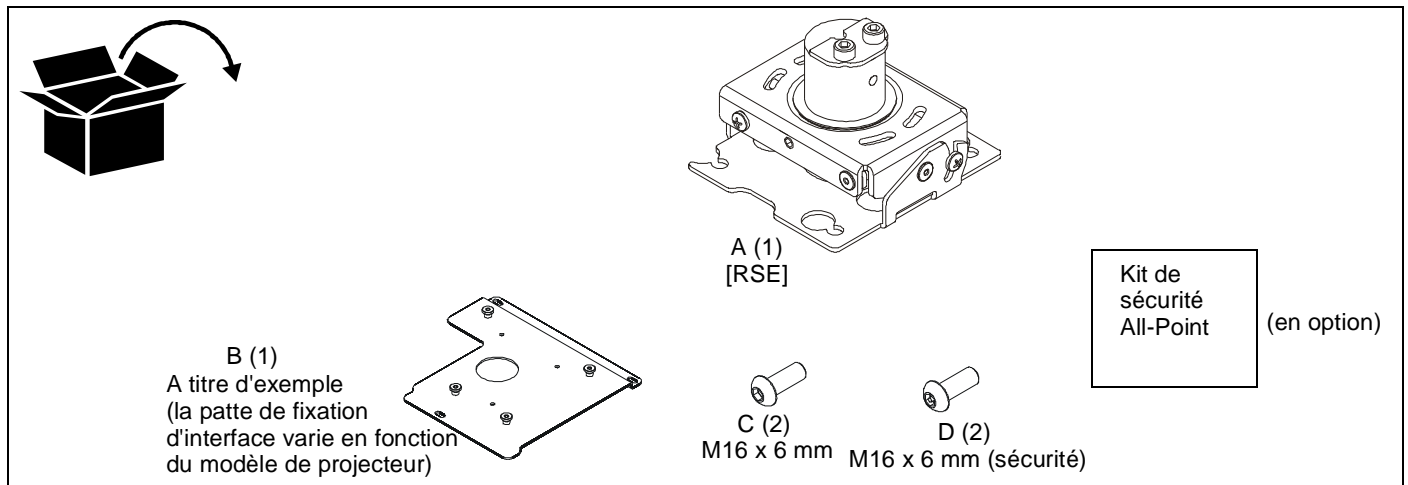


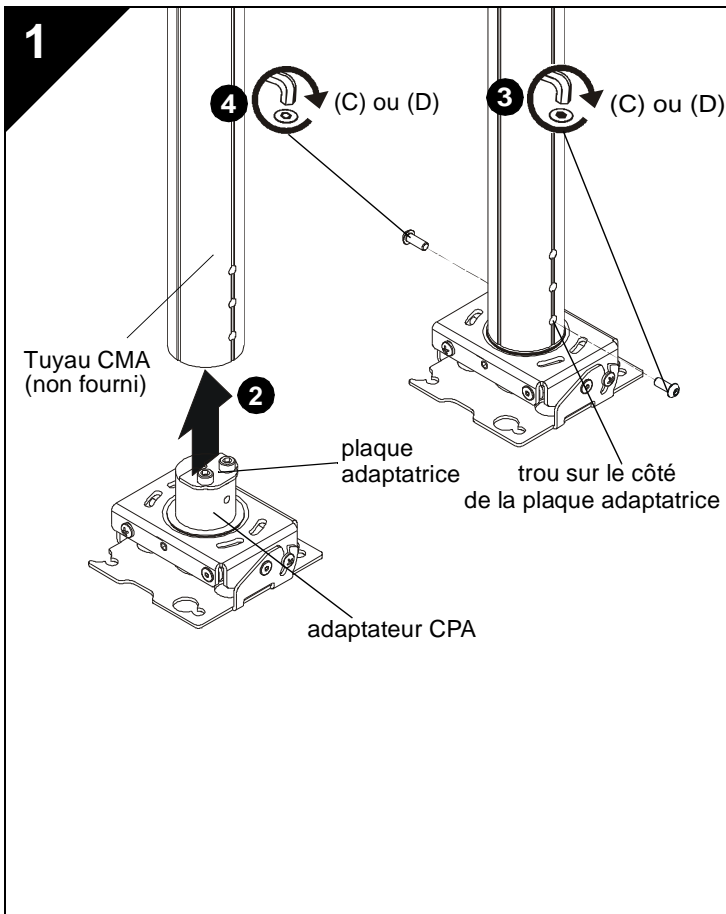
Matériel requis - non inclus

(en fonction de la méthode d'installation)

1. Installation sur une colonne d'extension filetée
 - Colonne d'extension filetée en aluminium ou en acier NPT ou NPSM 1-1/2" pouvant supporter 22,7 kg ou plus
2. Installation sur des solives de plafond en bois
 - Vis à bois à tête Phillips #10 x 3" (Qté 4)
 - Rondelles #10 (Qté 4)
3. Installation sur un plafond en béton
 - Brides d'ancrage de 3/8" x 2-1/4" de qualité 2 (Qté 4)
 - Rondelles #10 (Qté 4)
 - Vis à bois à tête Phillips #10 x 3" (Qté 4)
4. Installation sur des tiges filetées
 - Tiges filetées en acier #10-24 (Qté 4)
 - Écrous crénelés #10-24 (Qté 4)
 - Contre-écrous #10-24 (Qté 8)
 - Rondelles #10 (Qté 8)

PIÈCES





INSTALLATION DU RSE

Installation sur un tuyau CPA

1. Choisissez soigneusement l'emplacement de fixation souhaité.

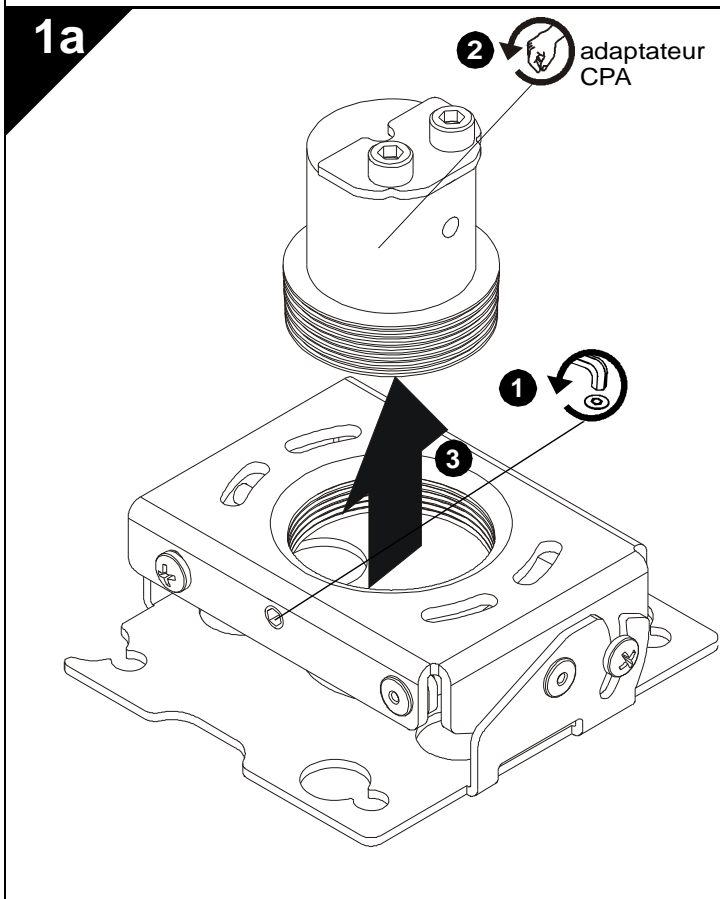
IMPORTANT ! : Cela impliquera de connaître la distance entre la lentille et l'écran. Voir les caractéristiques du projecteur pour plus de détails sur la manière de déterminer cette distance.

2. Assurez-vous que les trous sont alignés sur l'adaptateur CPA du RSE et la colonne CPA du RSE (non incluse), soulevez le RSE jusqu'à l'ouverture en bas de la colonne CPA. (Voir la Figure 1)

3. Installez une vis à tête bouton M6 x 16 (C) ou une vis de sécurité (D) dans le trou sur le côté du tuyau CPA, où la plaque adaptatrice de l'adaptateur CPA est située.

4. Sur le côté opposé du tuyau CPA, utilisez l'autre vis à tête bouton M6 x 16 (C) ou l'autre vis de sécurité (D) pour fixer le RSE (A) à la colonne CPA.

5. Passez à la section « Installation du projecteur ».



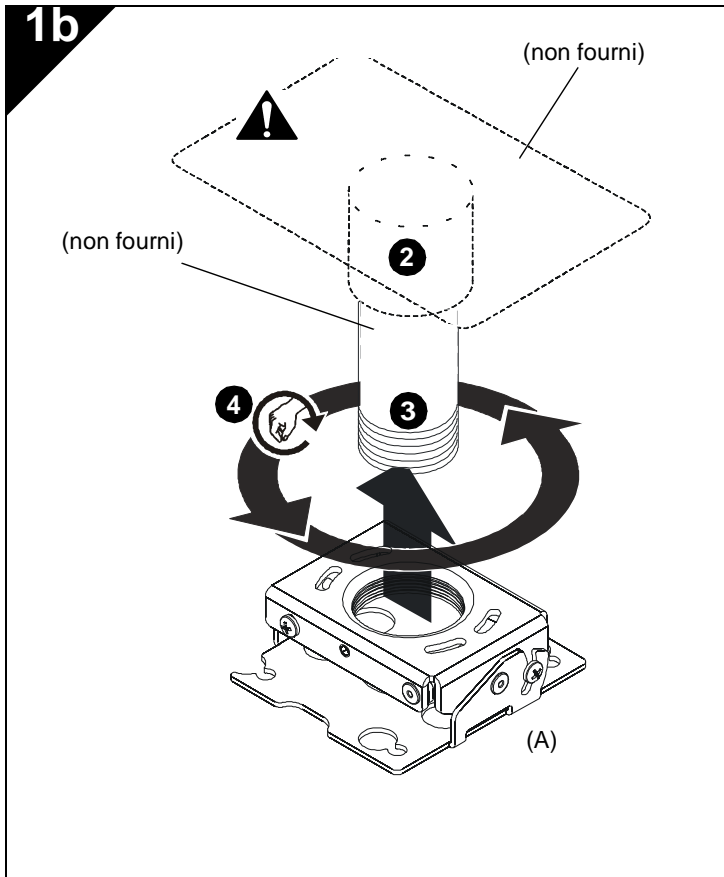
Retrait de l'adaptateur CPA

REMARQUE : Si vous installez le RSE à autre chose qu'une colonne CPA, la pièce d'adaptation CPA doit être retirée du support RSE avant l'installation.

1. Desserrez la vis d'arrêt maintenant l'adaptateur CPA sur le support RSE.

2. Tournez l'adaptateur CPA dans le sens contraire des aiguilles d'une montre jusqu'à ce que le filetage ne soit plus engagé dans le RSE.

3. Retirez l'adaptateur CPA du RSE.



INSTALLATION DU RSE

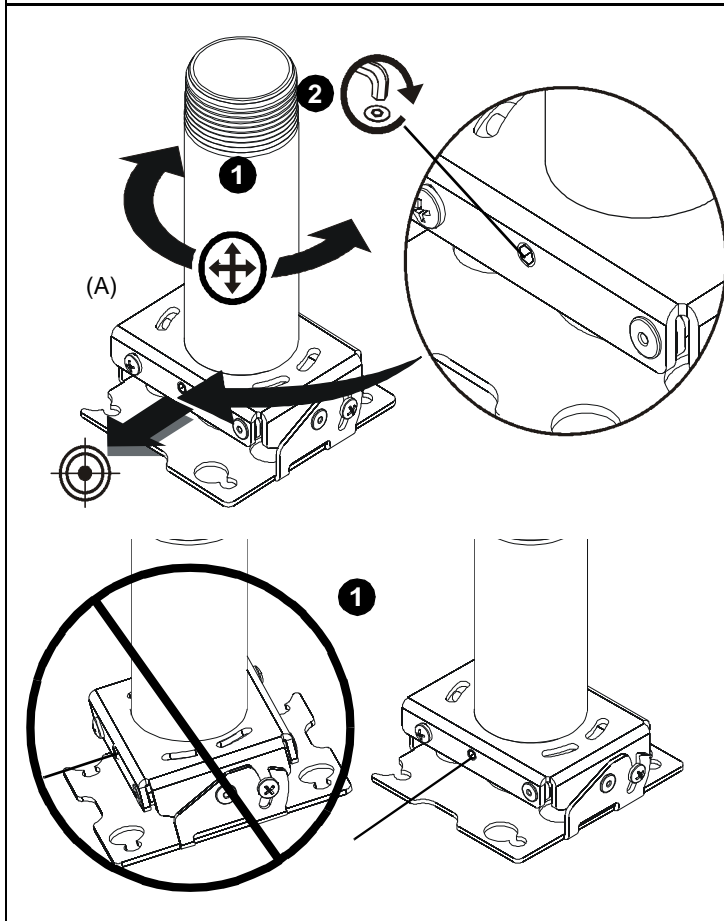
Installation sur un tuyau fileté

REMARQUE : L'adaptateur CPA doit être retiré avant d'installer le RSE sur le tuyau fileté. Reportez-vous à la section 1a pour plus de détails.

1. Choisissez soigneusement l'emplacement de fixation souhaité.
- IMPORTANT ! :** Cela impliquera de connaître la distance entre la lentille et l'écran. Voir les caractéristiques du projecteur pour plus de détails sur la manière de déterminer cette distance.
2. Installez une colonne d'extension en aluminium ou en acier NPT ou NPSM de 1-1/2" (non incluse) dans le collier fileté jusqu'à ce qu'elle soit bien serrée, avec un minimum de quatre filetages engagés.

⚠ AVERTISSEMENT : UNE MAUVAISE INSTALLATION PEUT ENTRAÎNER DES BLESSURES CORPORELLES GRAVES ! Les éléments structurels DOIVENT être capables de supporter cinq fois le poids total de l'équipement monté.

3. Alignez le RSE avec l'extrémité du tuyau NPT.
4. Vissez le RSE au tuyau en tournant dans le sens contraire des aiguilles d'une montre jusqu'à ce qu'il



Alignement approximatif du RSE

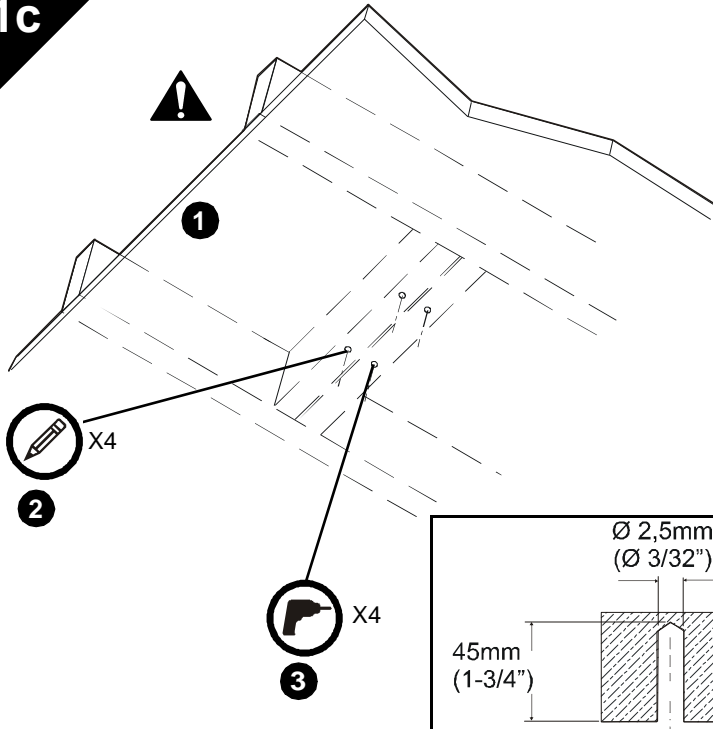
1. Tournez le RSE dans le sens des aiguilles d'une montre ou dans le sens contraire des aiguilles d'une montre, jusqu'à ce que l'avant du support se situe face à la cible.

IMPORTANT ! : Lorsque le RSE est correctement positionné, le trou d'accès à la vis d'arrêt doit directement être orienté vers la cible. (Voir le détail de la partie inférieure dans la figure de gauche.)

2. Fixez le RSE au tuyau en tournant la vis d'arrêt avec une clé hexagonale de 5/32" jusqu'à ce qu'elle soit bien serrée.

⚠ MISE EN GARDE : NE PAS TROP SERRER ! Un serrage excessif de la vis d'arrêt peut endommager le filetage du tuyau.

1c



Installation sur des montants en bois

REMARQUE : L'adaptateur CPA doit être retiré avant d'installer le RSE sur des montants en bois. Reportez-vous à la section 1a pour plus de détails.

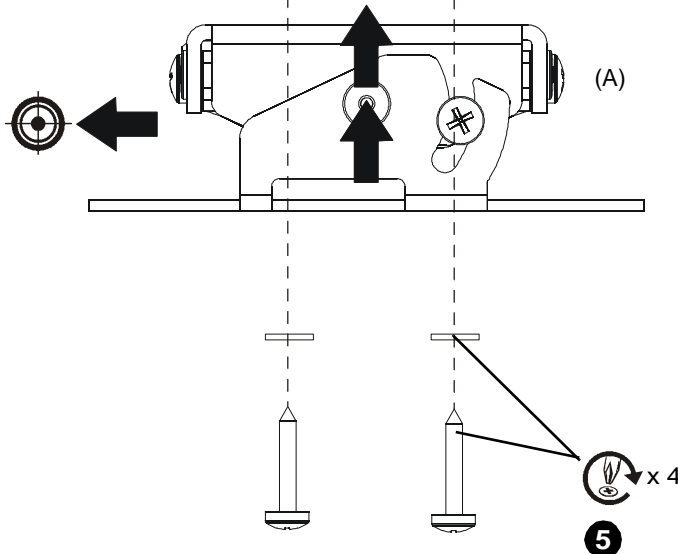
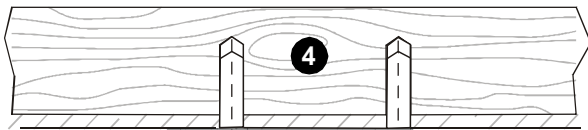
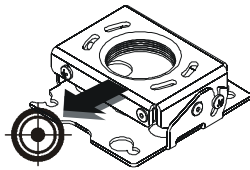
1. Choisissez soigneusement l'emplacement de fixation souhaité.

IMPORTANT ! : Cela impliquera de connaître la distance entre la lentille et l'écran. Voir les caractéristiques du projecteur pour plus de détails sur la manière de déterminer cette distance.



AVERTISSEMENT : UNE MAUVAISE INSTALLATION PEUT ENTRAÎNER DES BLESSURES CORPORELLES GRAVES ! Les éléments structurels DOIVENT être capables de supporter cinq fois le poids total de l'équipement monté.

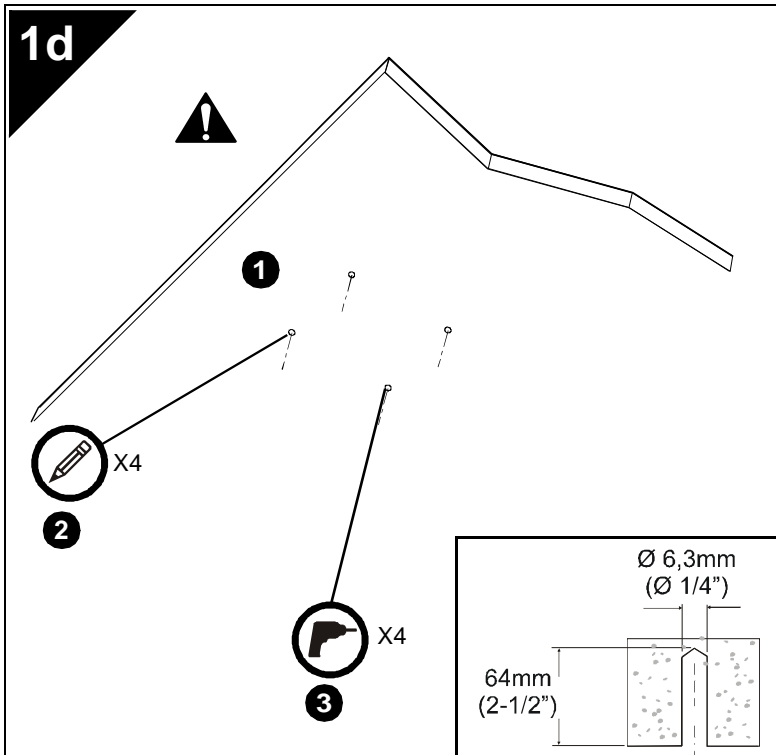
IMPORTANT ! : Les supports RSE sont conçus pour être montés sur des doubles contreventements transversaux de montants en bois en bois de 51 mm x 102 mm (2" x 4") (38,1 mm / 1-1/2" au centre) entre deux solives de plafond.



2. En utilisant le RSE comme guide, marquez les quatre emplacements des trous de montage à l'aide d'un crayon ou d'un outil similaire. Les emplacements des trous doivent être centrés sur les contreventements transversaux de 51 mm x 102 mm (2" x 4").
3. Percez quatre trous de guidage de 2,5 mm (3/32") de diamètre à une profondeur de 45 mm (1-3/4").
4. Alignez les quatre trous de montage du RSE sur les quatre trous de guidage.

IMPORTANT ! : Assurez-vous que le support est correctement orienté vers la cible avant de fixer la structure.

5. Fixez le RSE à la structure en utilisant quatre rondelles plates #10 et quatre vis à bois à tête Phillips #10 x 3" (non incluses).



Installation sur béton solide

REMARQUE : L'adaptateur CPA doit être retiré avant d'installer le RSE sur du béton. Reportez-vous à la section 1a pour plus de détails.

1. Déterminez l'emplacement de montage.

AVERTISSEMENT : Le RSE est conçu pour être monté sur un plafond en béton d'une épaisseur minimum de 203 mm (8") et avec un revêtement de cloison sèche d'une épaisseur maximale de 16 mm (5/8").

AVERTISSEMENT : UNE MAUVAISE INSTALLATION PEUT ENTRAÎNER DES BLESSURES CORPORELLES GRAVES ! Les éléments structurels DOIVENT être capables de supporter cinq fois le poids total de l'équipement monté.

2. En utilisant le RSE comme guide, marquez les quatre emplacements des trous de montage sur le plafond à l'aide d'un crayon ou d'un outil similaire.

3. Percez quatre trous de guidage de 6,3 mm (1/4") de diamètre à une profondeur de 64 mm (2-1/2").

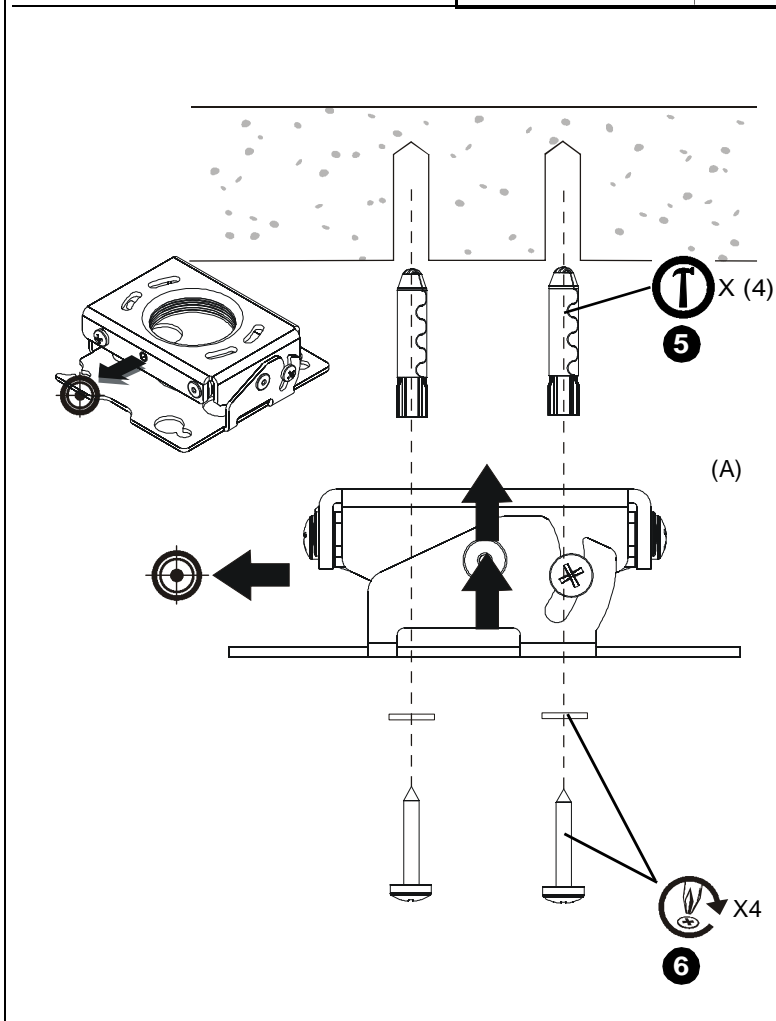
4. Alignez les quatre trous de montage du RSE sur les quatre trous de guidage.

IMPORTANT ! : Assurez-vous que le support est correctement orienté vers la cible avant de fixer la structure.

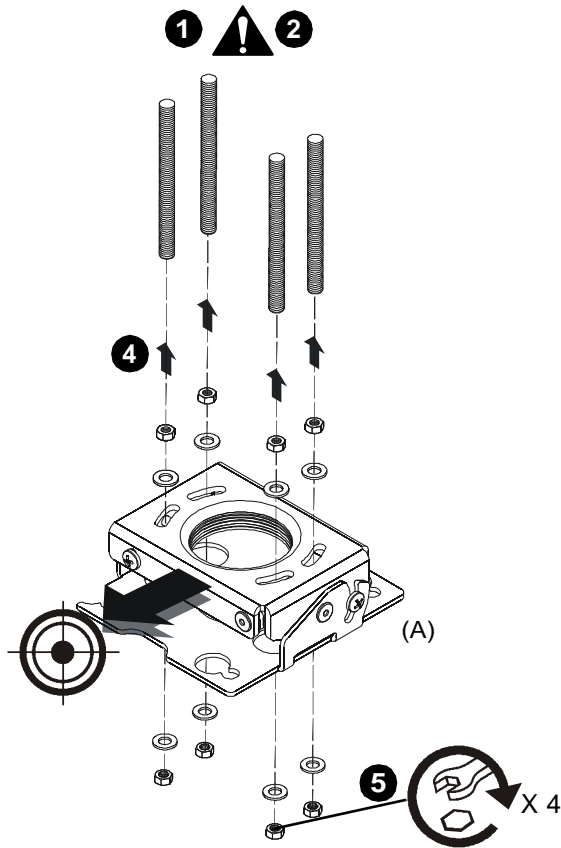
AVERTISSEMENT : Les vis d'ancrage (non fournies) doivent être installées dans du béton solide, structurellement homogène. Toute installation dans un bloc de béton creux ou dans du béton présentant des fissures, un effritement ou tout autre défaut peut entraîner la chute du dispositif d'ancrage et provoquer de graves blessures corporelles ou endommager le matériel.

5. Installez quatre brides d'ancrage pour béton de 3/8" x 2-1/4" (non incluses) en les insérant dans les trous de guidage et en les martelant jusqu'à affleurer la surface de montage.

6. Fixez le RSE à la structure en utilisant quatre rondelles plates #10 et quatre vis à bois à tête Phillips #10 x 3". (non fournies)



1e



Installation sur tiges filetées

REMARQUE : L'adaptateur CPA doit être retiré avant d'installer le RPE sur les tiges filetées. Reportez-vous à la section 1a pour plus de détails.

Le RSE doit être suspendu à l'aide de quatre tiges filetées (non incluses) #10-24 de diamètre (minimum), qui sont fixées à des membres structurels en hauteur d'assemblage de canal, d'angle ou Unistrut (armatures ou poutrelles) par des contre-écrous #10-24 (non inclus).



AVERTISSEMENT : UNE MAUVAISE INSTALLATION PEUT ENTRAÎNER DES BLESSURES CORPORELLES GRAVES ! Les éléments structurels DOIVENT être capables de supporter cinq fois le poids total de l'équipement monté.

1. Choisissez soigneusement la position de fixation souhaitée.

IMPORTANT ! : Cela impliquera de connaître la distance entre la lentille et l'écran. Voir les caractéristiques du projecteur pour déterminer cette distance.

REMARQUE : Tige filetée et matériel d'installation non inclus.

2. Fixez une extrémité de la tige filetée à l'élément structurel.

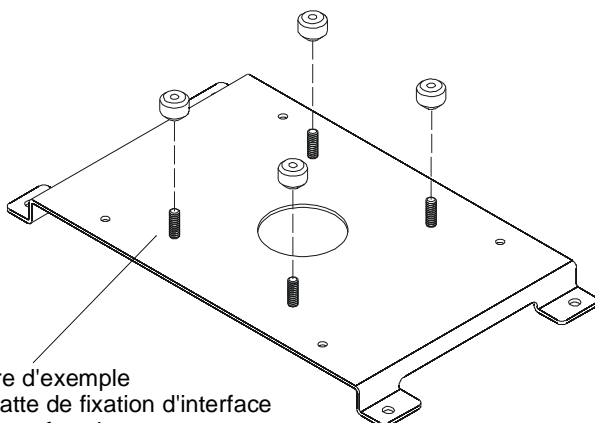
3. Installez quatre contre-écrous #10-24 sur chaque tige filetée.

4. Installez le RSE sur la tige filetée.

REMARQUE : Le trou dans le RSE permet l'accès avec une clef à douille sans avoir à démonter l'unité.

5. Fixez le RSE à la tige filetée en utilisant quatre écrous crénelés #10.

2



A titre d'exemple
(la patte de fixation d'interface
varie en fonction
du modèle de projecteur)

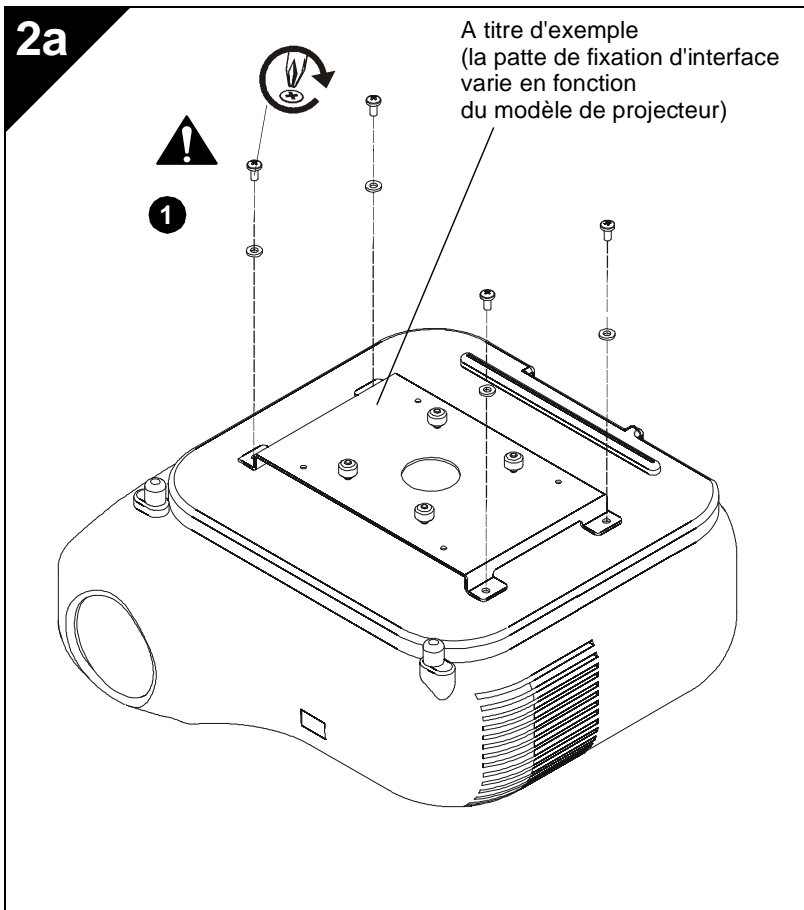
INSTALLATION DU PROJECTEUR

IMPORTANT ! : Le modèle RSE utilise des pattes de fixation d'interface de série « SSB » de Chief, en option. (Voir le dessin Pièces.)

Installez la patte de fixation d'interface

1. Vissez partiellement les écrous à ailettes sur les vis Phillips jusqu'à ce que la vis d'arrêt soit visible en haut de la vis de serrage.

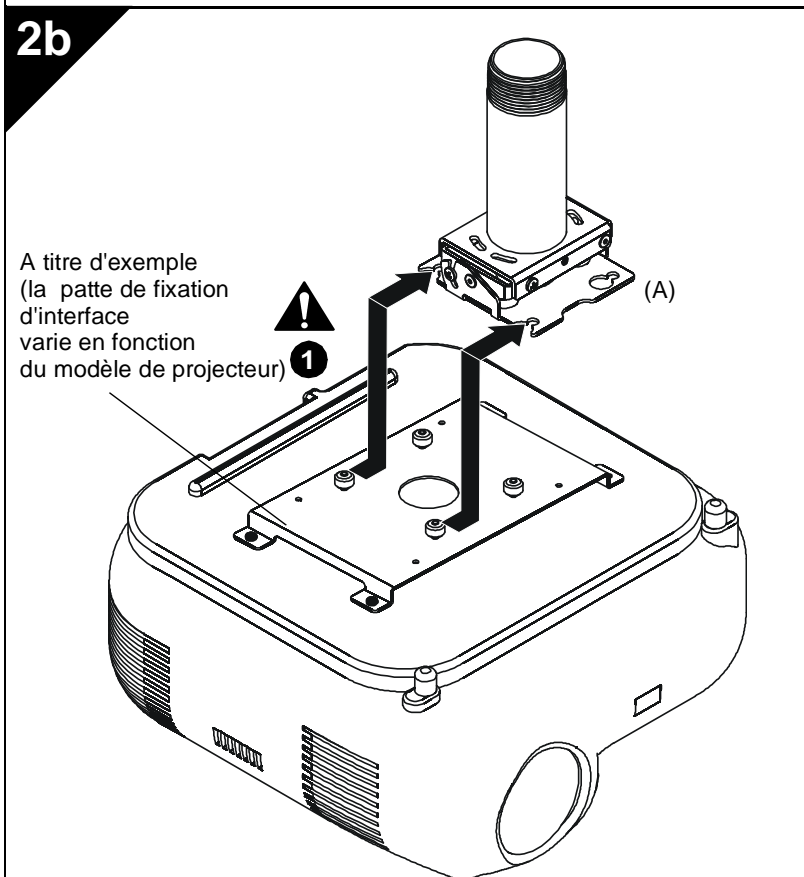
IMPORTANT ! : NE serrez PAS complètement les vis de serrage tout de suite.



AVERTISSEMENT : UNE MAUVAISE INSTALLATION PEUT PROVOQUER LA CHUTE DU PROJECTEUR ET ENDOMMAGER CELUI-CI, VOIRE ENTRAÎNER DES BLESSURES CORPORELLES GRAVES. NE PAS substituer le matériel. Utilisez uniquement le matériel fourni par le fabricant.

1. Fixez la patte de fixation au support en suivant les instructions d'installation et en utilisant le matériel fourni avec la patte de fixation.

REMARQUE : Les pattes d'interface peuvent être installées en utilisant le Kit de sécurité All-Points en option inclus avec les solutions de fixation SSB.



Installation du projecteur avec la patte de fixation

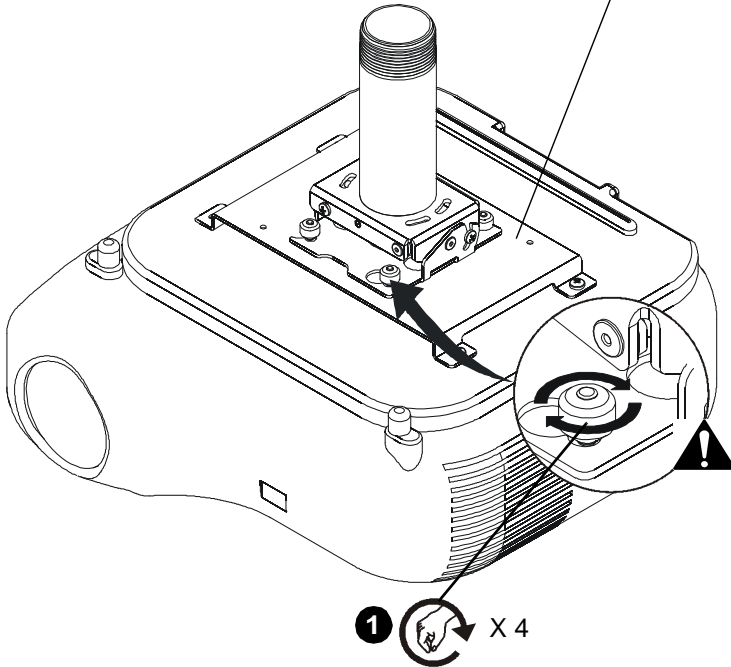
1. Orientez le projecteur avec la patte d'interface comme indiqué dans l'illustration 2b à gauche.
2. Soulevez le projecteur afin que les vis et les écrous à ailettes soient alignés aux fentes de fixation dans la base de montage.
3. Glissez le projecteur avec la patte de fixation dans les fentes de fixation de la base du montage jusqu'à ce que les vis soient ancrées à l'arrière des fentes de fixation. Voir les figures 2b et 2c.



AVERTISSEMENT : UNE MAUVAISE INSTALLATION PEUT PROVOQUER LA CHUTE DU PROJECTEUR ET ENDOMMAGER CELUI-CI, VOIRE ENTRAÎNER DES BLESSURES CORPORELLES GRAVES. Assurez-vous que les fentes de fixation dans la base de montage glissent sous les vis de serrage et que les vis sont ancrées à l'arrière des fentes.

2c

A titre d'exemple
(la patte de fixation
d'interface
varie en fonction
du modèle de projecteur)



Fixation du projecteur avec la patte d'interface au support de modèle RSE

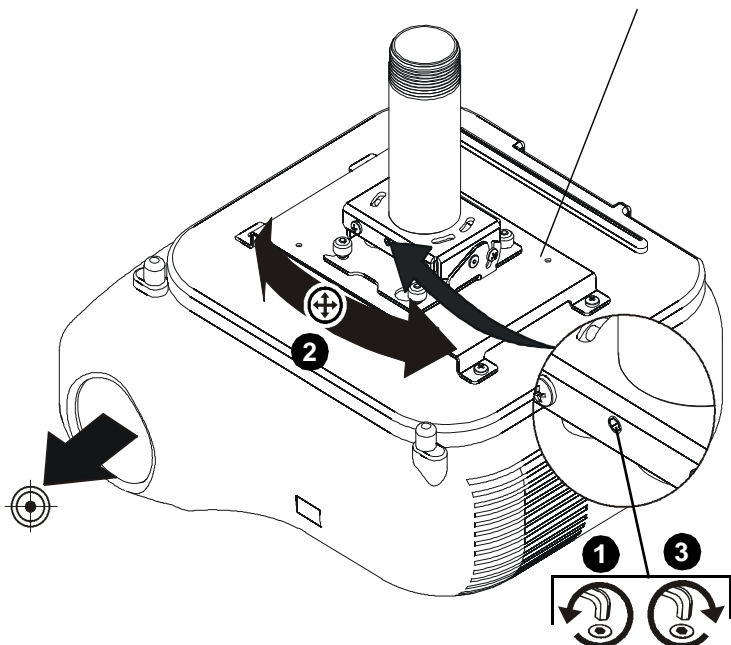


AVERTISSEMENT : UNE MAUVAISE INSTALLATION PEUT PROVOQUER LA CHUTE DU PROJECTEUR ET ENDOMMAGER CELUI-CI, VOIRE ENTRAÎNER DES BLESSURES CORPORELLES GRAVES. Assurez-vous que les fentes de fixation dans la base de montage glissent sous les vis de serrage et que les vis sont ancrées à l'arrière des fentes.

1. Tournez les écrous à ailettes jusqu'à ce qu'il soient bien serrés pour fixer le projecteur au support.

3

A titre d'exemple
(la patte de fixation
d'interface
varie en fonction
du modèle de projecteur)



RÉGLAGES

Réglage du LACET

1. Desserrez la vis de réglage du lacet en utilisant une clé hexagonale de 5/32".

REMARQUE : Le lacet est uniquement réglable lorsqu'il est fixé à un tuyau fileté.

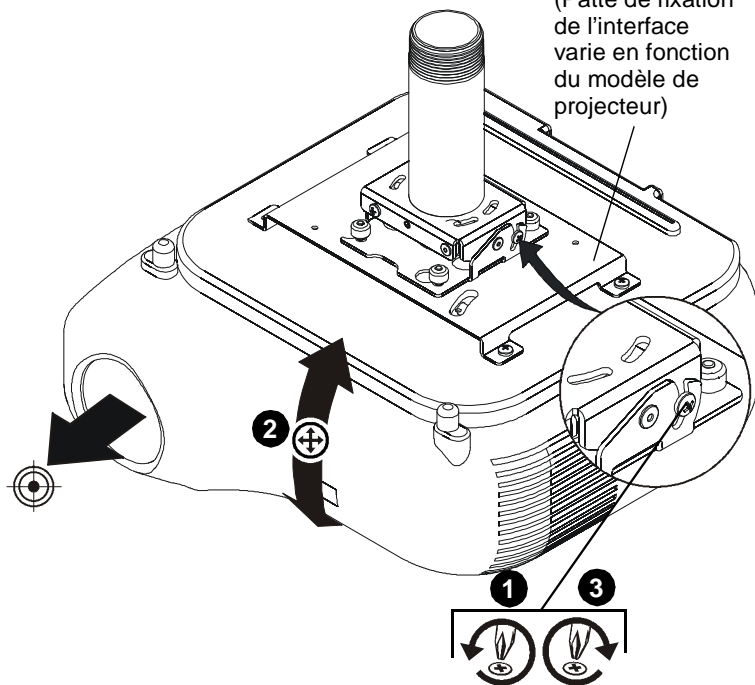


AVERTISSEMENT : Ne tournez pas le projecteur jusqu'à l'extrémité des filetages de tuyau. Le projecteur, la plaque d'interface et le projecteur tomberont du tuyau si celui-ci est trop dévissé ! Un minimum de quatre filetages doit être engagé afin d'assurer des raccordements sûrs !

2. Réglez le projecteur en le tournant sur le tuyau jusqu'à la position de lacet souhaitée.
3. Serrez la vis de verrouillage du réglage du lacet en utilisant une clé hexagonale de 5/32".

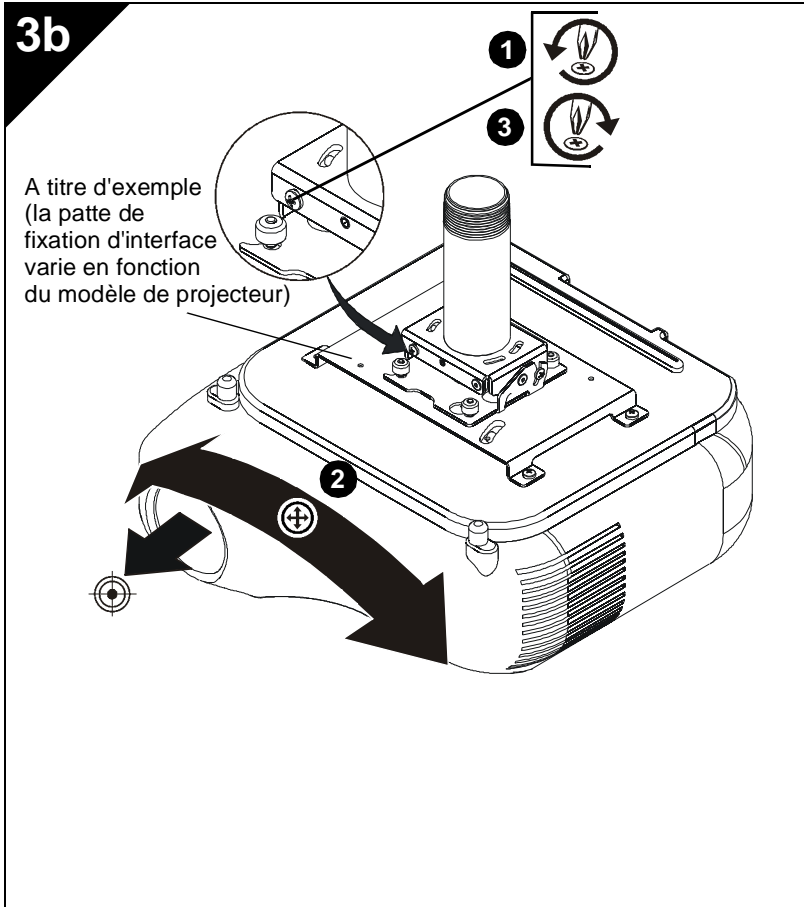
3a

A titre d'exemple
(Patte de fixation
de l'interface
varie en fonction
du modèle de
projecteur)



Réglage de l'inclinaison

1. Desserrez la vis de verrouillage du réglage de l'inclinaison sur chaque extrémité du support pour projecteur RSE en utilisant un tournevis Phillips #2.
2. Réglez l'angle du projecteur pour obtenir l'inclinaison souhaitée.
3. Serrez la vis de verrouillage du réglage de l'inclinaison sur chaque extrémité du support pour projecteur RSE en utilisant un tournevis Phillips #2.



Réglage de l'ondulation

1. Desserrez la vis de verrouillage du réglage de l'ondulation sur chaque côté du support pour projecteur RSE en utilisant un tournevis Phillips #2.
2. Réglez le projecteur pour obtenir l'ondulation souhaitée.
3. Serrez la vis de verrouillage du réglage de l'ondulation sur chaque côté du support pour projecteur RSE en utilisant un tournevis Phillips #2.

HAFTUNGSAUSSCHLUSS

Milestone AV Technologies sowie seine konzerneigenen Unternehmen und Tochtergesellschaften (zusammen "Milestone") haben versucht, dieses Handbuch so genau und vollständig als möglich zu gestalten. Milestone erhebt jedoch weder Anspruch auf Vollständigkeit der Einzelheiten, Bedingungen und Änderungen der hierin enthaltenen Informationen, noch übernimmt das Unternehmen irgendeine Haftung für eventuelle Schadensfälle in Verbindung mit der Installation oder Verwendung dieses Produkts. Die in diesem Dokument enthaltenen Informationen können ohne vorherige Ankündigung oder sonstige Verpflichtungen jederzeit geändert werden. Milestone schließt jegliche ausdrückliche oder stillschweigende Zusicherung und Gewährleistung bezüglich der hierin enthaltenen Informationen aus. Milestone übernimmt keinerlei Verantwortung für die Genauigkeit, Vollständigkeit oder Angemessenheit der in diesem Dokument enthaltenen Informationen.

Chief® ist eine eingetragene Marke von Milestone AV Technologies. Alle Rechte vorbehalten.



WICHTIGE SICHERHEITSHINWEISE!



WARNUNG: WARNUNG weist darauf hin, dass bei Nichtbefolgung der Anweisungen Verletzungs- oder Lebensgefahr besteht.



VORSICHT: VORSICHT weist darauf hin, dass bei Nichtbefolgung der Anweisungen die Möglichkeit von Geräteschäden besteht.



WARNUNG: Die Nichtbefolgung dieser Anweisungen kann zu schweren Verletzungen und Geräteschäden sowie zum Erlöschen der Garantie führen. Der Monteur hat dafür zu sorgen, dass alle Bauelemente nach den beiliegenden Anweisungen montiert und installiert werden.



WARNUNG: Wenn dieses Bauelement nicht an einer Konstruktion mit der erforderlichen Tragfähigkeit montiert wird, kann dies zu schweren Verletzungen oder Geräteschäden führen! Der Monteur hat dafür zu sorgen, dass die Konstruktion, an der das Bauelement angebracht wird, über die erforderliche Tragfähigkeit verfügt. Die Konstruktion muss das fünffache

Gesamtgewicht des Geräts tragen können. Verstärken Sie vor der Montage des Bauelements ggf. die Konstruktion.



WARNUNG: Das Überschreiten der maximalen Tragkraft kann zu schweren Verletzungen oder Geräteschäden führen! Der Monteur ist dafür verantwortlich, sicherzustellen, dass das Gesamtgewicht aller Komponenten, die mit der RSE verbunden sind, 11,37 kg (25 lbs) nicht überschreitet.

- Die maximale Tragkraft der RSE ist auf die maximale Tragkraft des zwischen der RSE und der tragenden Konstruktion verwendeten sonstigen Bauelements mit der jeweils niedrigsten Tragkraft BESCHRÄNKT!



WARNUNG: Verwenden Sie das Halterungssystem nur für den vorgesehenen, in der Anleitung beschriebenen Zweck. Verwenden Sie keine Zubehörteile, die nicht vom Hersteller empfohlen wurden.



WARNUNG: Verwenden Sie das Halterungssystem nie in beschädigtem Zustand. Bringen Sie das Halterungssystem in diesem Fall für die Fehlersuche und Reparatur zu einem Service-Center.



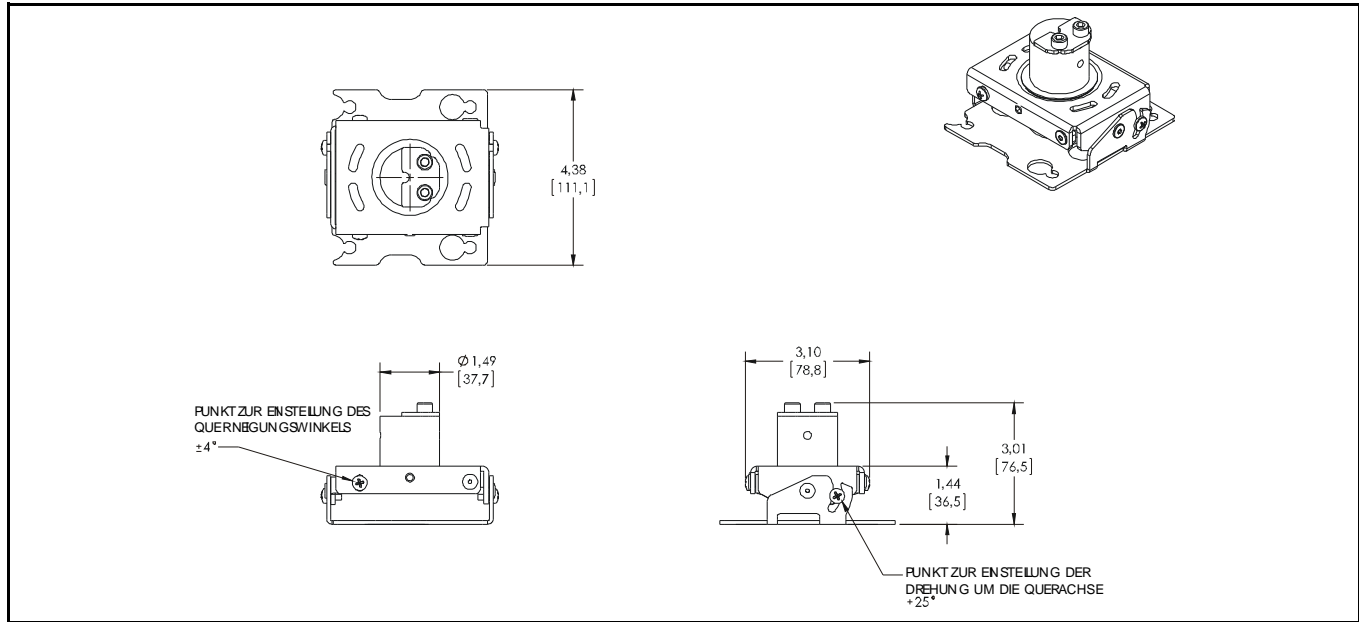
WARNUNG: Verwenden Sie das Produkt nie im Freien.

WICHTIG! RSE-Halterungen eignen sich für:

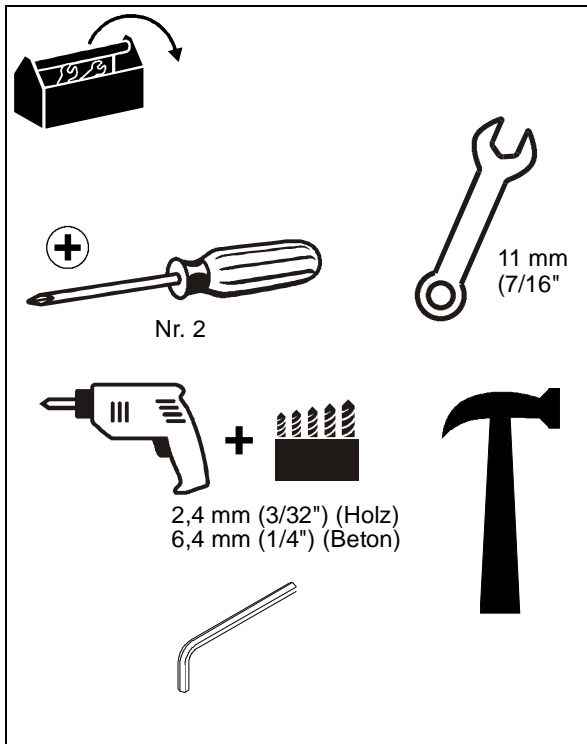
- die Montage an eine Ausziehsäule mit 1-1/2"-NPT- oder NPSM-Gewinde aus Stahl oder Aluminium oder
- die Montage an einer doppelten Querverstrebung (38,1 mm / 1-1/2" von Mitte zu Mitte) aus 51 mm x 102 mm (2" x 4")-Holzbalken zwischen zwei 51 mm x 102 mm (2" x 4") Deckenbalken;
- die Montage an eine Betondecke mit einer Mindeststärke von 203 mm (8") und einer Gipskartonbeschichtung von maximal 16 mm (5/8"); oder
- die Aufhängung an vier (nicht mitgelieferten) Gewindestangen mit einem Durchmesser von mindestens Nr. 10-24, die mittels (nicht mitgelieferter) Nr. 10-Rechteckmuttern an Unistrut-, eckigen oder U-Eisen-Deckenbauteilen (Auslegern oder I-Trägern) befestigt werden.

--BEWAHREN SIE DIESE ANWEISUNGEN AUF--

ABMESSUNGEN



FÜR DIE MONTAGE ERFORDERLICHES WERKZEUG

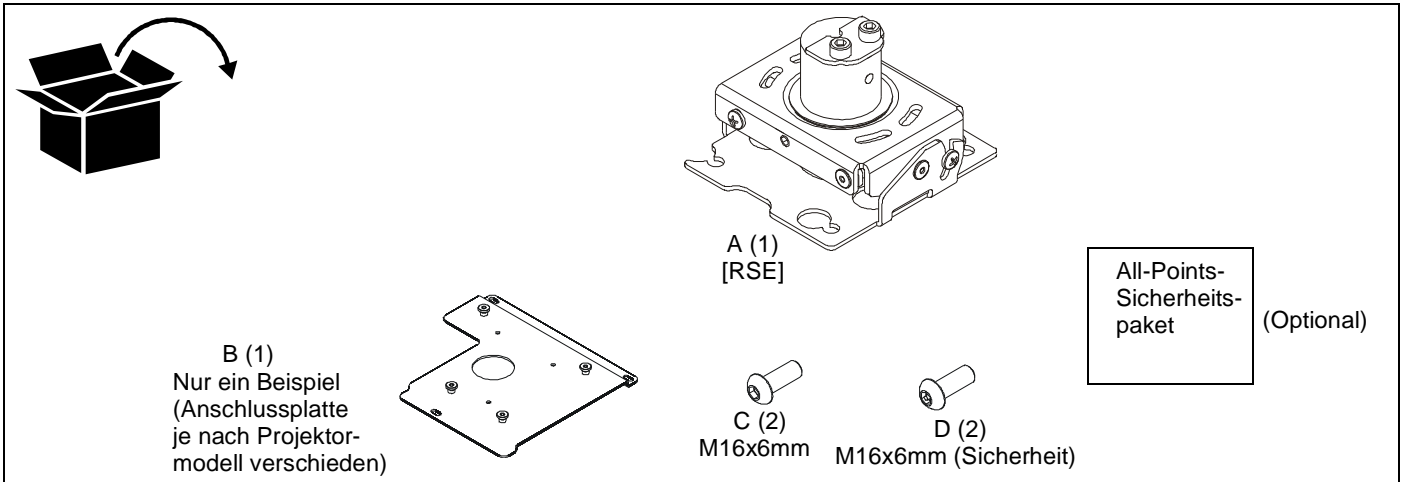


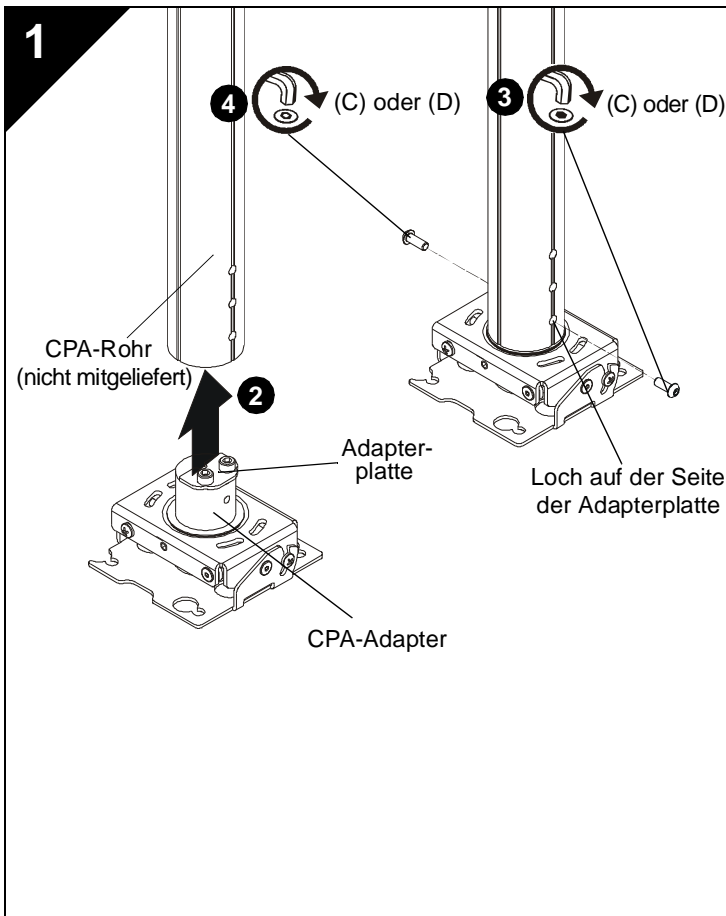
Erforderliche Befestigungsmaterialien – nicht mitgeliefert

(abhängig von der Installationsmethode)

- Montage an einer Ausziehsäule mit Gewinde
 - Ausziehsäule mit 1-1/2"-NPT- oder NPSM-Gewinde aus Stahl oder Aluminium, die für 22,7 kg (50 lbs) oder mehr zugelassen ist
- Montage an Holzdeckenbalken
 - Nr. 10 x 3" Kreuzschlitzholzsrauben (4 Stk.)
 - Nr. 10 Unterlegscheiben (4 Stk.)
- Montage an Beton
 - 3/8" x 2-1/4" Betondübel Klasse 2 (4 Stk.)
 - Nr. 10 Unterlegscheiben (4 Stk.)
 - Nr. 10 x 3" Kreuzschlitzholzsrauben (4 Stk.)
- Montage an Gewindestange
 - Nr. 10-24 Stahlgewindestangen (4 Stk.)
 - Nr. 10-24 Rechteckmuttern (4 Stk.)
 - Nr. 10-24 Kontermuttern (8 Stk.)
 - Nr. 10 Unterlegscheiben (8 Stk.)

TEILE

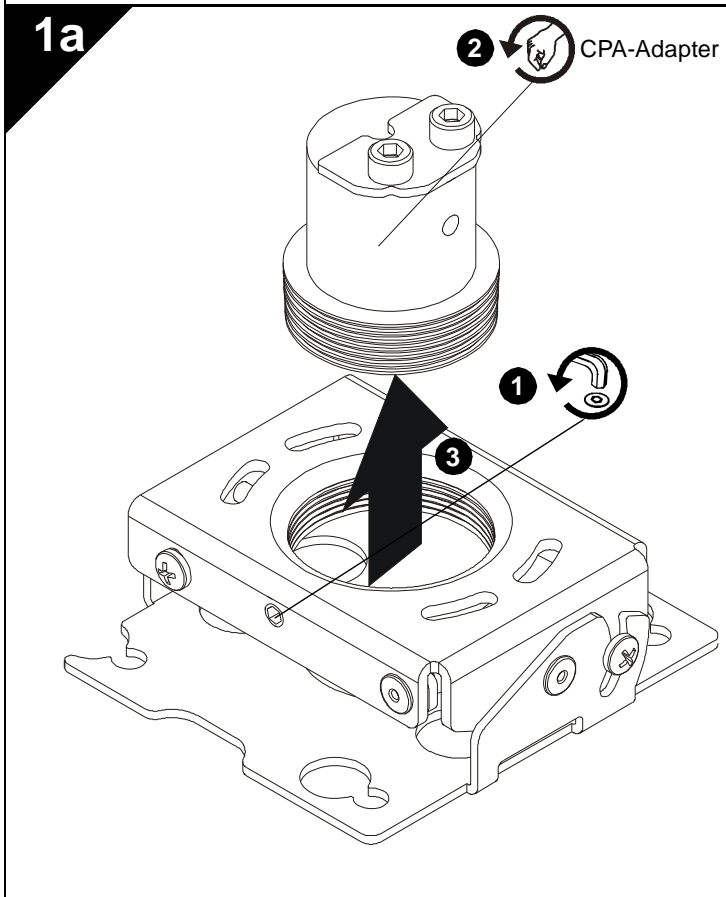




MONTAGE DER RSE

Montage eines CPA-Rohrs

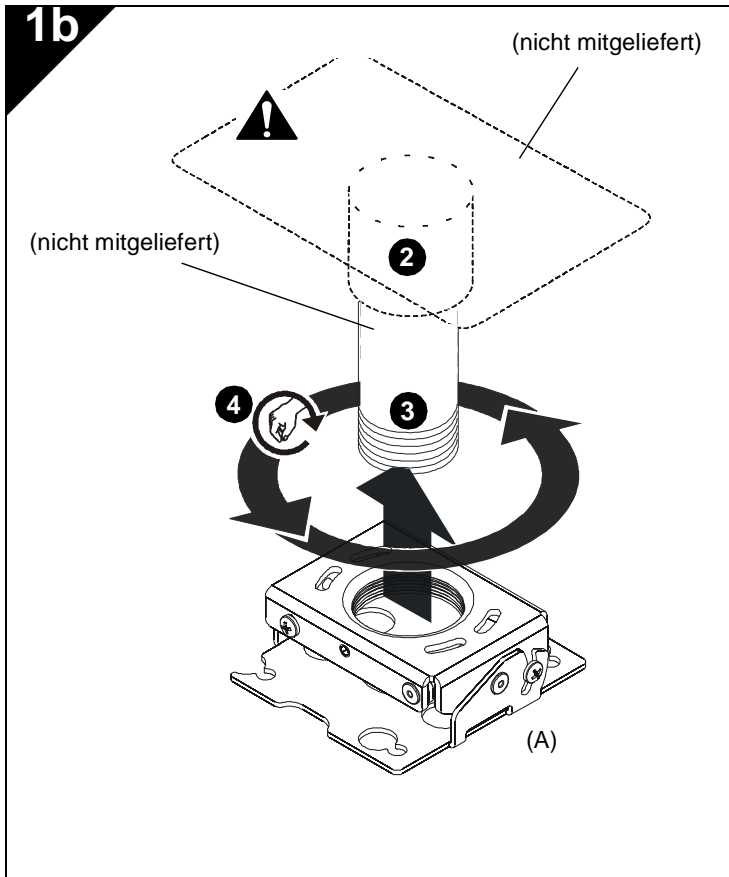
1. Wählen Sie sorgfältig eine Montagestelle aus. **WICHTIG!** Hierzu müssen Sie den Abstand zwischen Linse und Leinwand kennen. Die technischen Daten des Projektors bieten Ihnen Informationen zur Bestimmung dieses Abstands.
2. Schieben Sie die RSE so in die untere Öffnung der (nicht mitgelieferten) CPA-Säule, dass die Löcher des CPA-Adapters der RSE und der CPA-Säule genau übereinander liegen. (Siehe Abb. 1)
3. Schrauben Sie entweder eine M6x16-Halbrundkopfschraube (C) oder eine Sicherheitsschraube (D) in das Loch auf der Seite des CPA-Rohrs, auf der sich die Adapterplatte des CPA-Adapters befindet.
4. Befestigen Sie die RSE (A) auf der gegenüberliegenden Seite des CPA -Rohrs mit der anderen M6x16-Halbrundkopfschraube (C) oder Sicherheitsschraube (D) an der CPA-Säule.
5. Fahren Sie beim Abschnitt "Montage des Projektors" fort.



Entfernen des CPA-Adapters

HINWEIS: Falls Sie die RSE an etwas anderes als eine CPA-Säule montieren, muss der CPA-Adapter vor der Montage von der RSE-Halterung entfernt werden.

1. Lösen Sie die Feststellschraube, die den CPA-Adapter an der RSE-Halterung fixiert.
2. Drehen Sie den CPA -Adapter gegen den Uhrzeigersinn, bis sich das Gewinde aus der RSE löst.
3. Entfernen Sie den CPA-Adapter aus der RSE.



MONTAGE DER RSE

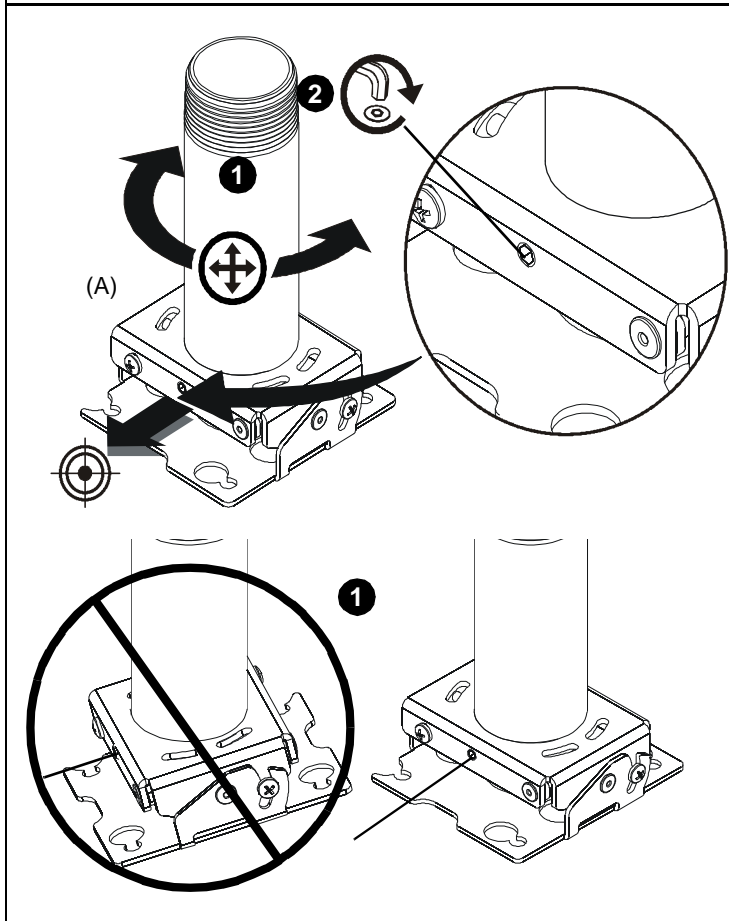
Montage eines Gewinderohrs

HINWEIS: Vor der Montage der RSE an das Gewinderohr muss der CPA-Adapter entfernt werden. Weitere Informationen dazu finden Sie in Abschnitt 1a.

1. Wählen Sie sorgfältig eine Montagestelle aus. **WICHTIG!** Hierzu müssen Sie den Abstand zwischen Linse und Leinwand kennen. Die technischen Daten des Projektors bieten Ihnen Informationen zur Bestimmung dieses Abstands.
2. Schrauben Sie eine (nicht mitgelieferte) Ausziehsäule mit 1-1/2"-NPT- oder NPSM-Gewinde aus Stahl oder Aluminium fest in den Gewindekragen, wobei mindestens vier Gewindegänge eingeschraubt werden müssen.

⚠️ WARNUNG: EINE UNSACHGEMÄSSE MONTAGE KANN ZU SCHWEREN VERLETZUNGEN ODER GERÄTESCHÄDEN FÜHREN! Die Bauteile **MÜSSEN** das fünffache Gesamtgewicht des montierten Geräts tragen können.

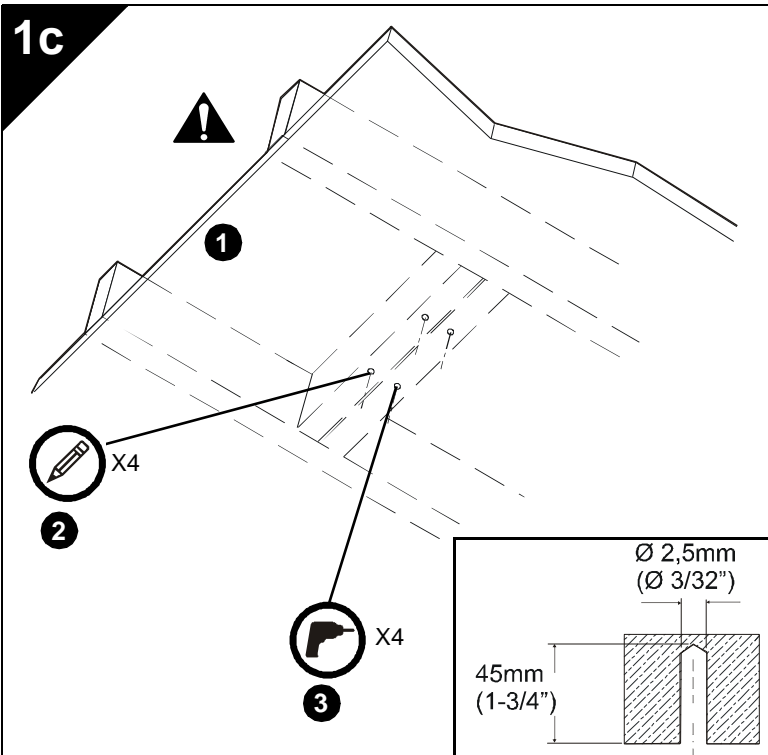
3. Richten Sie die RSE nach dem Ende des NPT-Rohrs aus.
4. Schrauben Sie die RSE durch Drehen gegen den Uhrzeigersinn handfest auf das Rohr.



Ungefähre Ausrichtung der RSE

1. Drehen Sie die RSE im oder gegen den Uhrzeigersinn, bis die Vorderseite der Halterung auf das Projektorziel zeigt.
- WICHTIG!** Wenn die RSE richtig positioniert ist, sollte das Feststellschrauben-Zugangsloch direkt auf das Ziel zeigen. (Siehe Detail in der Abb. links)
2. Befestigen Sie die RSE am Rohr, indem Sie die Feststellschraube mit einem 5/32"-Inbusschlüssel festziehen.

⚠️ VORSICHT: ZIEHEN SIE DIE SCHRAUBEN NICHT ZU FEST AN! Bei Überziehen der Feststellschraube können die Gewinde des Rohres beschädigt werden.



Montage an Holzbalken

HINWEIS: Vor der Montage der RSE an Holzbalken muss der CPA-Adapter entfernt werden. Weitere Informationen dazu finden Sie in Abschnitt 1a.

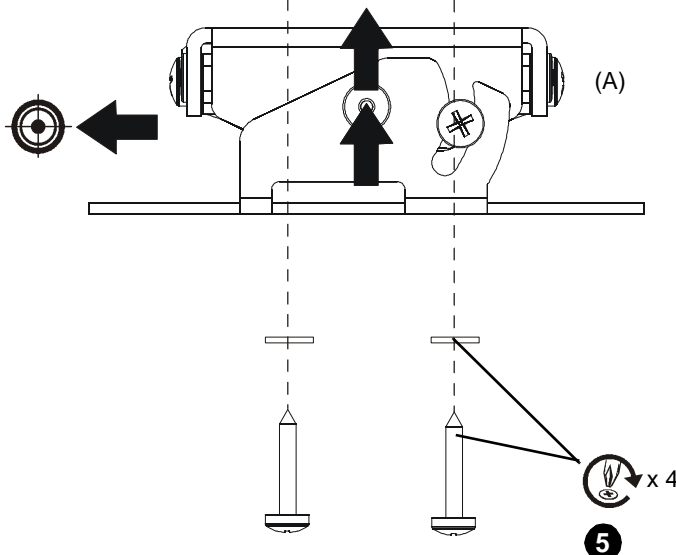
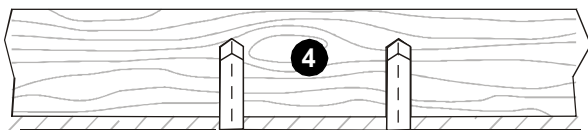
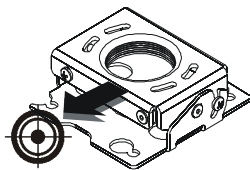
1. Wählen Sie sorgfältig eine Montagestelle aus.

WICHTIG! Hierzu müssen Sie den Abstand zwischen Linse und Leinwand kennen. Die technischen Daten des Projektors bieten Ihnen Informationen zur Bestimmung dieses Abstands.



WARNUNG: EINE UNSACHGEMÄSSE MONTAGE KANN ZU SCHWEREN VERLETZUNGEN ODER GERÄTESCHÄDEN FÜHREN! Die Bauteile **MÜSSEN** das fünffache Gesamtgewicht des montierten Geräts tragen können.

WICHTIG! RSE-Halterungen eignen sich für die Montage an einer doppelten Querverstrebung (38,1 mm / 1-1/2" von Mitte zu Mitte) aus 51 mm x 102 mm (2" x 4")-Holzbalken zwischen zwei Deckenbalken.



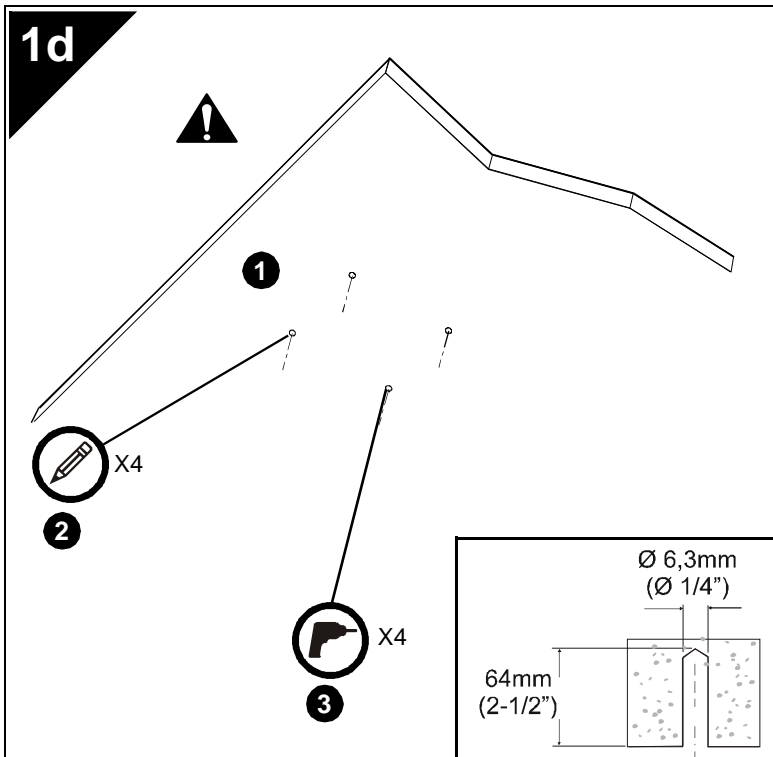
2. Zeichnen Sie mithilfe der RSE als Schablone mit einem Bleistift oder Ähnlichem vier Bohrstellen an. Die Bohrstellen müssen jeweils in der Mitte zweier 51 mm x 102 mm (2" x 4")-Querstreben angebracht werden.

3. Bohren Sie vier Vorbohrungen mit einem Durchmesser von 2,5 mm (3/32") und einer Tiefe von 45 mm (1-3/4").

4. Richten Sie die vier Montagebohrungen in der RSE nach den vier Vorbohrungen aus.

WICHTIG! Stellen Sie sicher, dass die Halterung genau auf das Ziel gerichtet ist, bevor Sie sie an der Konstruktion befestigen.

5. Befestigen Sie die RSE mit vier Nr. 10-Unterlegscheiben und vier Nr.10 x 3"-Kreuzschlitzholzschrauben (nicht mitgeliefert) an der Konstruktion.



Montage an Massivbeton

HINWEIS: Vor der Montage der RSE an Beton muss der CPA-Adapter entfernt werden. Weitere Informationen dazu finden Sie in Abschnitt 1a.

1. Wählen Sie eine Montagestelle aus.



WARNUNG: Die RSE eignet sich zur Montage an eine Betondecke mit einer Mindeststärke von 203 mm (8") und einer Gipskartonbeschichtung von maximal 16 mm (5/8").



WARNUNG: EINE UNSACHGEMÄSSE MONTAGE KANN ZU SCHWEREN VERLETZUNGEN ODER GERÄTESCHÄDEN FÜHREN! Die Bauteile **MÜSSEN** das fünffache Gesamtgewicht des montierten Geräts tragen können.

2. Zeichnen Sie mithilfe der RSE als Schablone mit einem Bleistift oder Ähnlichem vier Bohrstellen an die Decke.
3. Bohren Sie vier Vorbohrungen mit einem Durchmesser von 6,3 mm (1/4") und einer Tiefe von 64 mm (2-1/2").

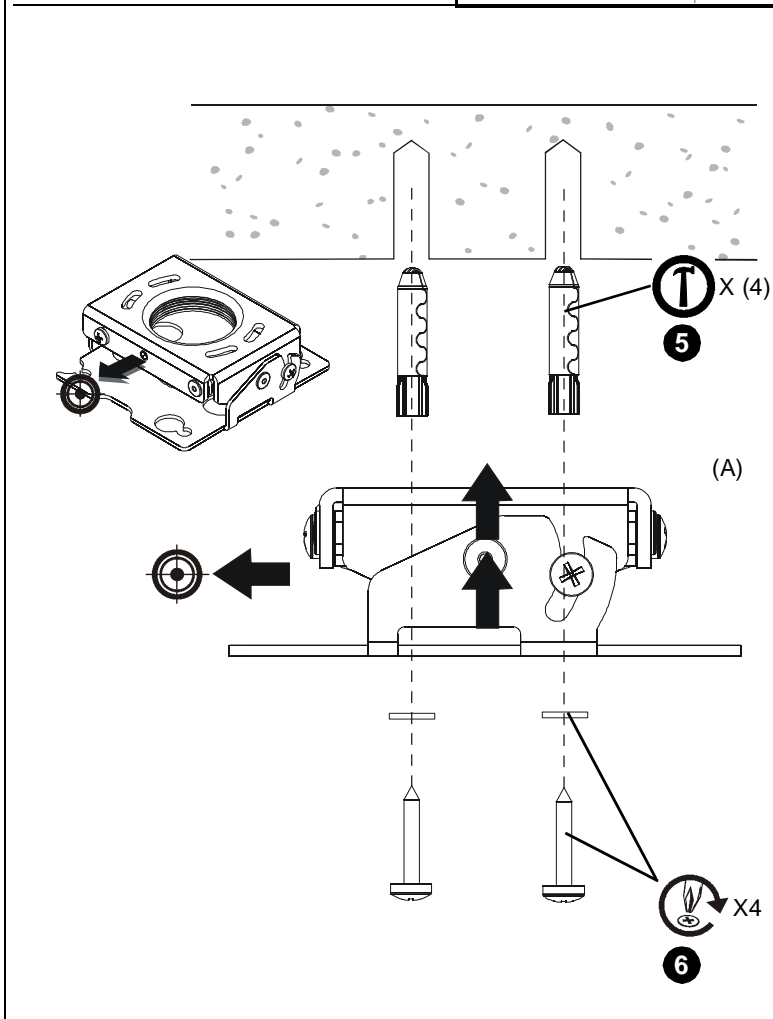
4. Richten Sie die vier Montagebohrungen in der RSE nach den vier Vorbohrungen aus.

WICHTIG! Stellen Sie sicher, dass die Halterung genau auf das Ziel gerichtet ist, bevor Sie sie an der Konstruktion befestigen.

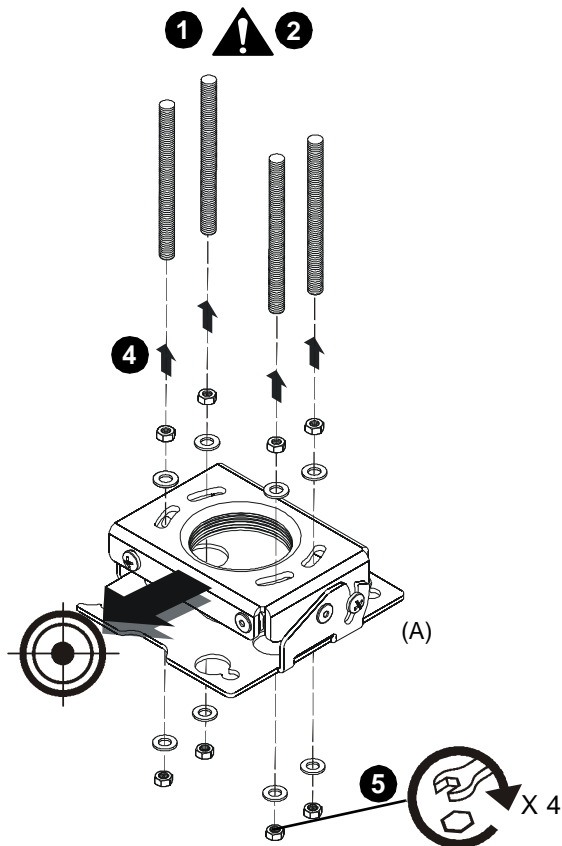


WARNUNG: Dübel (nicht mitgeliefert) müssen in baulich intakte Massivbetondecken montiert werden. Die Installation in Hohlblockdecken, Mörtel oder Beton, der Risse, Absplinterungen oder andere Defekte aufweist, kann zu einem Versagen des Dübels und schweren Personen- oder Sachschäden führen.

5. Stecken Sie vier (nicht mitgelieferte) 3/8" x 2-1/4"-Betondübel in die Vorbohrungen und schlagen Sie sie mit dem Hammer ein, bis sie bündig mit der Befestigungsfläche abschließen.
6. Befestigen Sie die RSE mit vier Nr. 10-Unterlegscheiben und vier Nr.10 x 3"-Kreuzschlitzholzschrauben an der Konstruktion. (nicht mitgeliefert)



1e



Montage an Gewindestangen

HINWEIS: Vor der Montage der RSE an die Gewindestangen muss der CPA-Adapter entfernt werden. Weitere Informationen dazu finden Sie in Abschnitt 1a.

Die RSE muss an vier (nicht mitgelieferten) Gewindestangen mit einem Durchmesser von mindestens Nr. 10-24 aufgehängt werden, die mittels (nicht mitgelieferter) Nr. 10-24-Rechteckmuttern an Unistrut-, eckigen oder U-Eisen-Deckenbauteilen (Auslegern oder I-Trägern) befestigt werden.



WARNUNG: EINE UNSACHGEMÄSSE MONTAGE KANN ZU SCHWEREN VERLETZUNGEN ODER GERÄTESCHÄDEN FÜHREN! Die Bauteile **MÜSSEN** das fünffache Gesamtgewicht des montierten Geräts tragen können.

1. Wählen Sie sorgfältig eine Montagestelle aus.

WICHTIG! Hierzu müssen Sie den Abstand zwischen Linse und Leinwand kennen. Die technischen Daten des Projektors bieten Ihnen Informationen zur Bestimmung dieses Abstands.

HINWEIS: Gewindestangen und Befestigungsmaterialien werden nicht mitgeliefert.

2. Befestigen Sie ein Ende der Gewindestange am Bauteil.

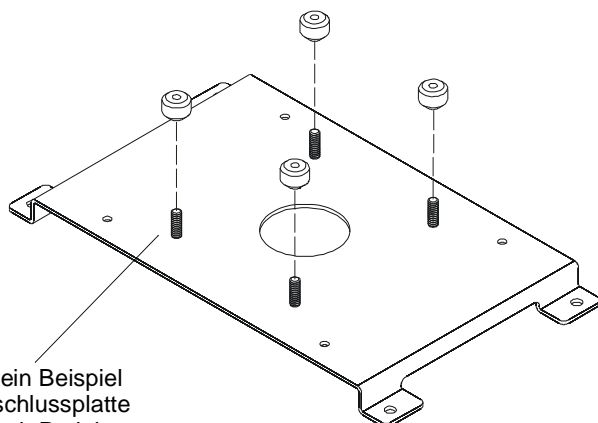
3. Montieren Sie vier Nr. 10-24-Kontermuttern an den Gewindestangen.

4. Montieren Sie die RSE an die Gewindestange.

HINWEIS: Das Loch in der RSE ermöglicht die Verwendung eines Steckschlüssels, ohne dass das Bauteil auseinandergebaut werden muss.

5. Befestigen Sie die RSE mit vier Nr. 10-Rechteckmuttern an den Gewindestangen.

2



Nur ein Beispiel
(Anschlussplatte
je nach Projektor-
modell verschieden)

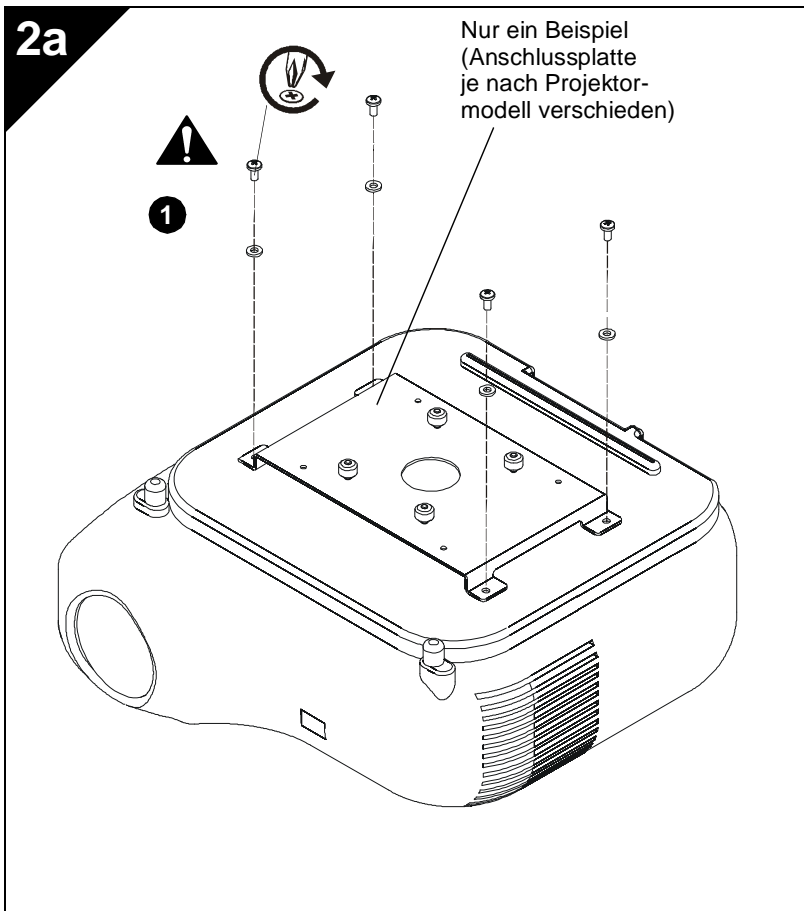
MONTAGE DES PROJEKTORS

WICHTIG! Das RSE-Modell lässt sich mit den optionalen Anschlussplatten der Chief-Serie "SSB" kombinieren. (Siehe Abb. Teile.)

Montieren der Anschlussplatte

1. Schrauben Sie Flügelmuttern so weit auf die Kreuzschlitzschrauben, bis das Schraubenende an der Oberseite der Flügelmutter zu sehen ist.

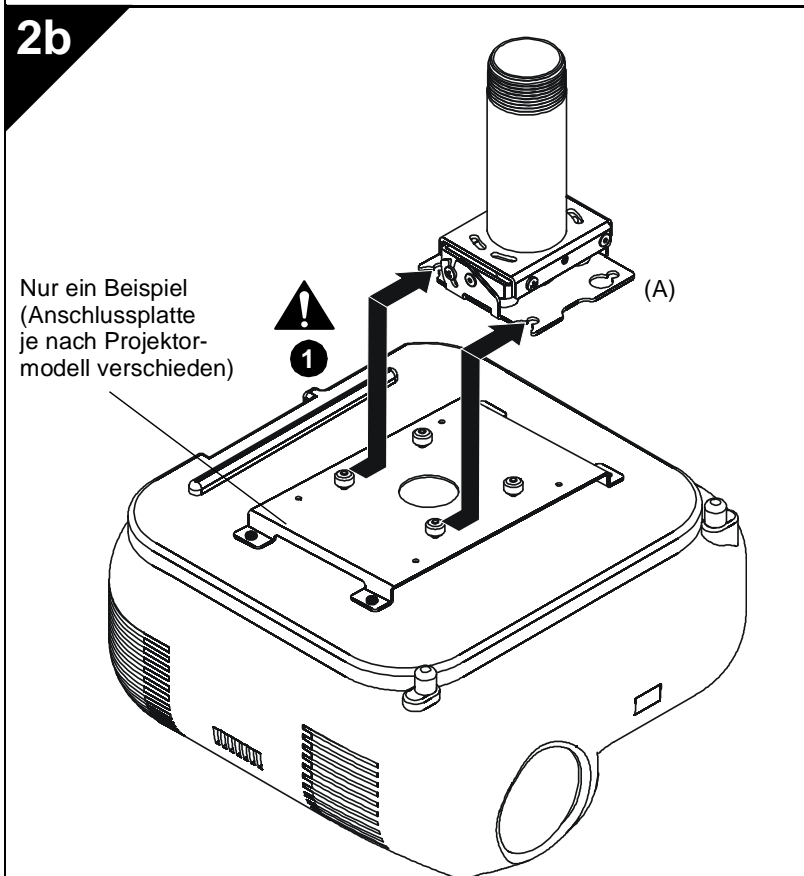
WICHTIG! Ziehen Sie die Flügelschrauben zu diesem Zeitpunkt noch NICHT vollständig fest.



WARNUNG: EINE UNSACHGEMÄSSE MONTAGE KANN ZUM HERUNTERFALLEN DES PROJEKTORS FÜHREN UND SCHWERE VERLETZUNGEN ODER GERÄTESCHÄDEN VERURSACHEN. Verwenden Sie KEINE Ersatz-Befestigungsmittel. Verwenden Sie nur die vom Hersteller mitgelieferten Befestigungsmaterialien.

1. Befestigen Sie die Anschlussplatte mithilfe der der Anschlussplatte beiliegenden Montageanleitung und Befestigungsmaterialien an der Halterung.

HINWEIS: Anschlussplatten lassen sich mithilfe der optionalen All-Points-Sicherheitspackung, die den SSB-Befestigungssystemen beigelegt ist, montieren.



Montage eines Projektors mit Anschlussplatte

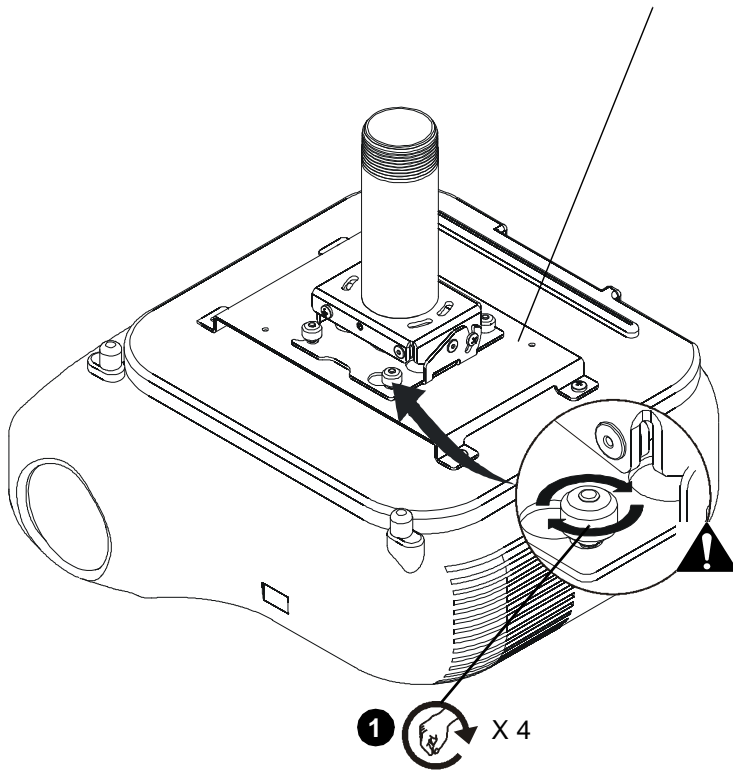
1. Richten Sie den Projektor mit der Anschlussplatte so aus, wie links in Abb. 2b dargestellt.
2. Halten Sie den Projektor so, dass die Schrauben mit den Flügelmuttern nach den Montageschlitzen in der Montagebasis ausgerichtet sind.
3. Schieben Sie den Projektor mit der Anschlussplatte in die Montageschlitze der Montagebasis, bis sich die Schrauben am hinteren Ende der Schlitze befinden. Siehe Abb. 2b und 2c.



WARNUNG: EINE UNSACHGEMÄSSE MONTAGE KANN ZUM HERUNTERFALLEN DES PROJEKTORS FÜHREN UND SCHWERE VERLETZUNGEN ODER GERÄTESCHÄDEN VERURSACHEN. Stellen Sie sicher, dass die Montageschlitze in der Montagebasis unter die Flügelmuttern geschoben werden und dass sich die Schrauben am hinteren Ende der Schlitze befinden.

2c

Nur ein Beispiel
(Anschlussplatte
je nach Projektor-
modell verschieden)

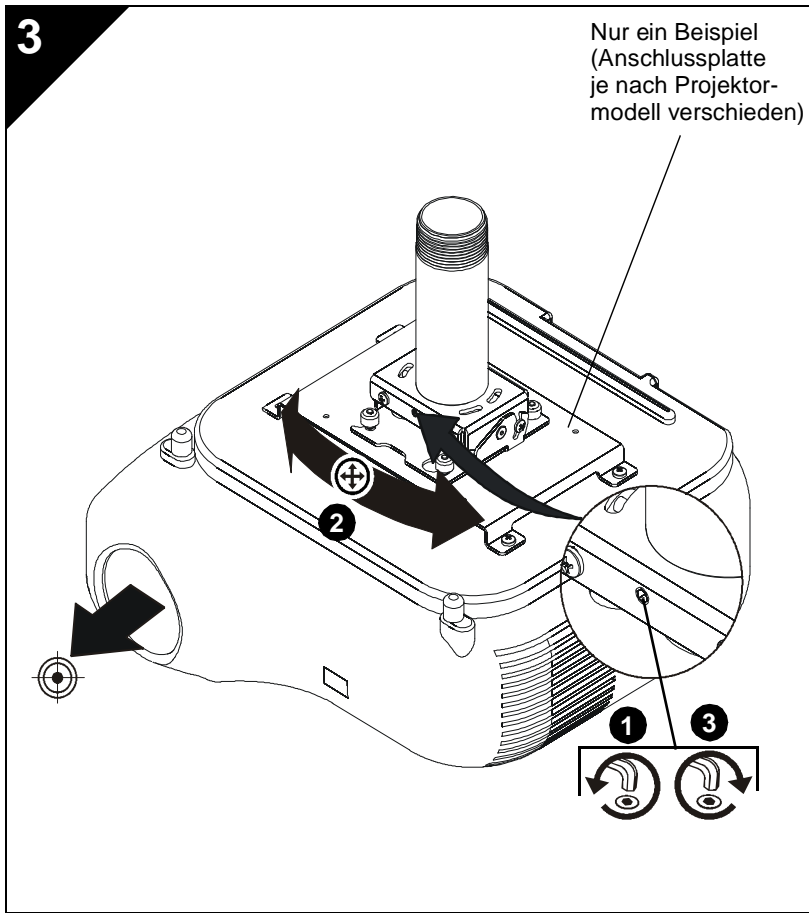


Befestigen des Projektors mit der Anschlussplatte an der RSE-Halterung



WARNUNG: EINE UNSACHGEMÄSSE MONTAGE KANN ZUM HERUNTERFALLEN DES PROJEKTORS FÜHREN UND SCHWERE VERLETZUNGEN ODER GERÄTESCHÄDEN VERURSACHEN. Stellen Sie sicher, dass die Montageschlitzte in der Montagebasis unter die Flügelmuttern geschoben werden und dass sich die Schrauben am hinteren Ende der Schlitzte befinden.

1. Ziehen Sie die Flügelmuttern an, um den Projektor an der Halterung zu befestigen.



EINSTELLUNGEN

Einstellung der Drehung um die HÖHENACHSE

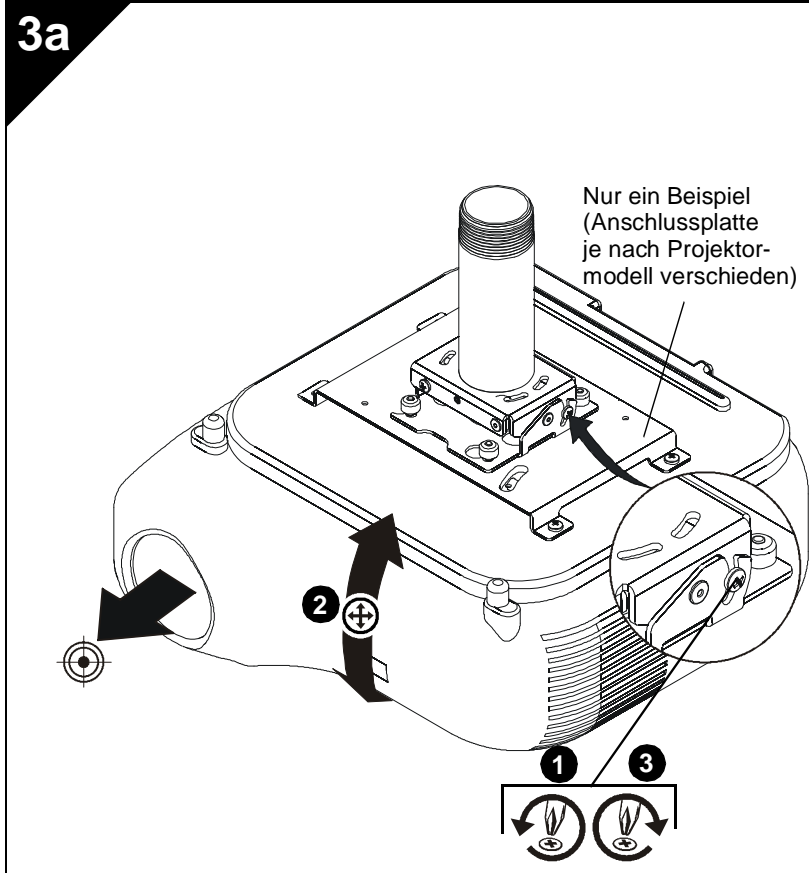
1. Lösen Sie die Schraube für die Einstellung der Drehung um die Höhenachse mit einem 5/32"-Inbusschlüssel.

HINWEIS: Die Drehung um die Höhenachse lässt sich nur in Verbindung mit einem Gewinderohr verstellen.



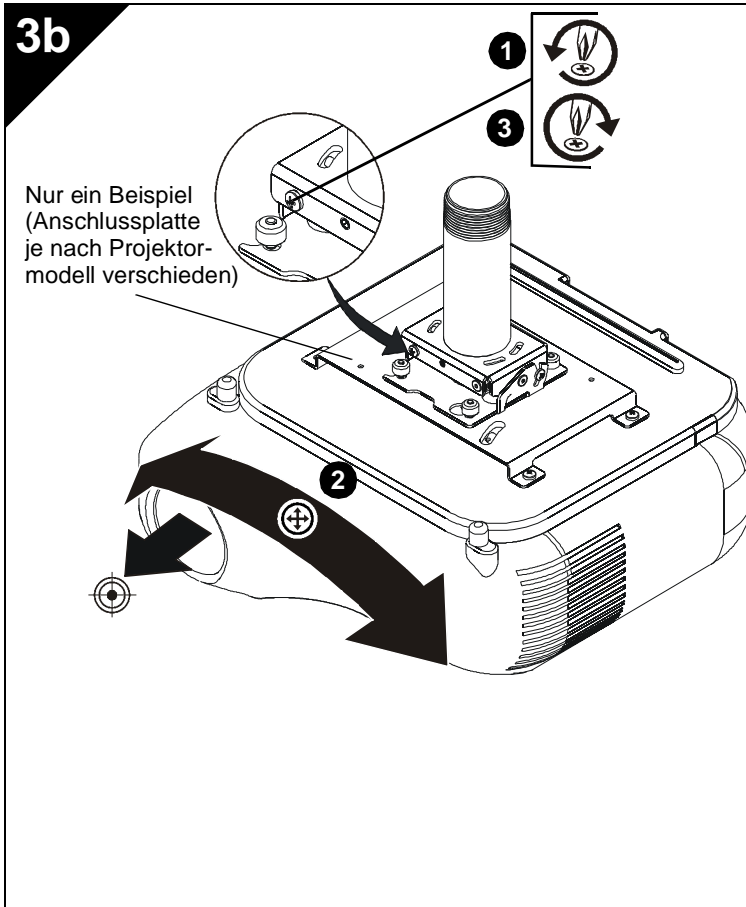
WARNUNG: Schrauben Sie den Projektor nicht bis ans Ende des Rohrgewindes. Halterung, Anschlussplatte und Projektor fallen vom Rohr, wenn sie zu weit abgeschraubt werden! Um eine sichere Verbindung zu gewährleisten, müssen mindestens vier Gewindegänge eingeschraubt bleiben.

2. Verdrehen Sie den Projektor am Rohr und bringen Sie ihn so in die gewünschte Position.
3. Ziehen Sie die Feststellschraube für die Einstellung der Drehung um die Höhenachse mit einem 5/32"-Inbusschlüssel fest.



Einstellung der Drehung um die Querachse

1. Lösen Sie an den beiden Enden der RSE-Projektorhalterung jeweils die Feststellschraube für die Einstellung der Drehung um die Querachse mit einem Nr. 2-Kreuzschlitzschraubendreher.
2. Stellen Sie den gewünschten Projektorneigungswinkel ein.
3. Ziehen Sie an den beiden Enden der RSE-Projektorhalterung jeweils die Feststellschraube für die Einstellung der Drehung um die Querachse mit einem Nr. 2-Kreuzschlitzschraubendreher an.



Einstellung des Querneigungswinkels

1. Lösen Sie auf der Vorder- und Rückseite der RSE-Projektorhalterung jeweils die Feststellschraube für die Einstellung des Querneigungswinkels mit einem Nr. 2-Kreuzschlitzschraubendreher.
2. Bringen Sie den Projektor in die gewünschte Querneigungsposition.
3. Ziehen Sie auf der Vorder- und Rückseite der RSE-Projektorhalterung jeweils die Feststellschraube für die Einstellung des Querneigungswinkels mit einem Nr. 2-Kreuzschlitzschraubendreher fest.



Our Mounts. **Your Vision.**

Chief Manufacturing, a products division
of Milestone AV Technologies

8800-002350 Rev00

©2013 Milestone AV Technologies, a
Duchossois Group Company

www.chiefmfg.com

05/13

USA/International	A 6436 City West Parkway, Eden Prairie, MN 55344
	P 800.582.6480 / 952.225.6000
	F 877.894.6918 / 952.894.6918
Europe	A Franklinstraat 14, 6003 DK Weert, Netherlands
	P +31 (0) 495 580 852
	F +31 (0) 495 580 845
Asia Pacific	A Office No. 1 on 12/F, Shatin Galleria 18-24 Shan Mei Street Fotan, Shatin, Hong Kong
	P 852 2145 4099
	F 852 2145 4477



