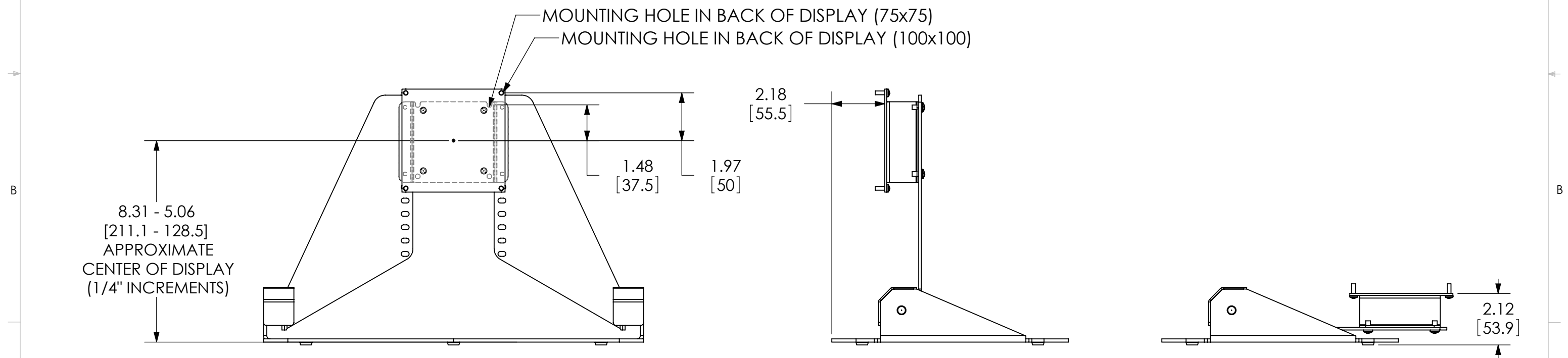


NOTE: CUSTOM INTERFACE BRACKET NOT SHOWN. IF YOUR DISPLAY DOES NOT HAVE VESA 100x100 OR 75x75 MOUNTING HOLES, YOU WILL NEED A CUSTOM INTERFACE BRACKET. A CUSTOM INTERFACE BRACKET WILL ADD BETWEEN 1/2" AND 1 1/2" IN DEPTH AND MAY AFFECT LOCATION OF DISPLAY ON THE MOUNT.

SEE FSB-XXXX DRAWING IF NECESSARY



THE INFORMATION AND DESIGNS CONTAINED IN THIS DRAWING ARE CONFIDENTIAL AND THE PROPRIETARY PROPERTY OF CHIEF MFG., INC. NEITHER THIS DESIGN NOR ANY INFORMATION CONTAINED IN THIS DRAWING MAY BE REPRODUCED OR DISCLOSED TO OTHERS WITHOUT THE EXPRESS WRITTEN CONSENT OF CHIEF MFG., INC.

**CHIEF** 8401 EAGLE CREEK PKY  
SUITE #700  
SAVAGE, MN 55378  
PHONE: 952-894-6280  
FAX: 877-894-6918

TITLE  
**CUSTOMER PRINT  
FSB018BLK**

SIZE DWG. NO.  
**B FSB018BLK**