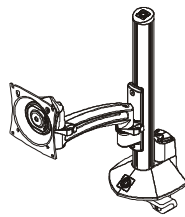
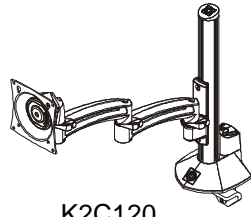
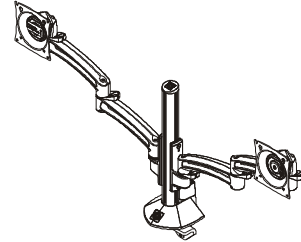

INSTALLATION INSTRUCTIONS



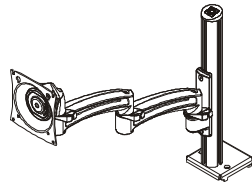
K2C110



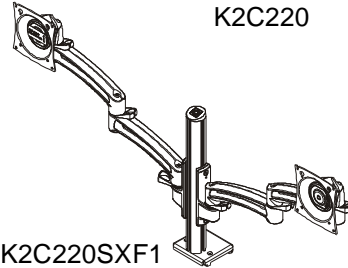
K2C120



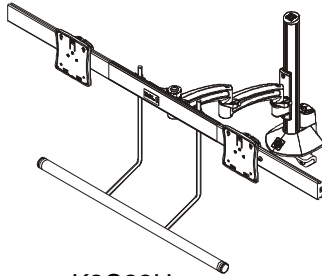
K2C220



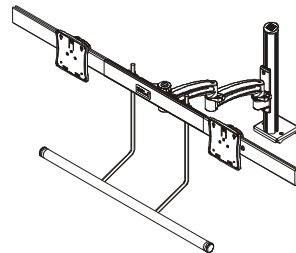
K2C120SXF1



K2C220SXF1



K2C22H



K2C22HSXF1


K2C Column Mounts


DISCLAIMER


Milestone AV Technologies and its affiliated corporations and subsidiaries (collectively “Milestone”), intend to make this manual accurate and complete. However, Milestone makes no claim that the information contained herein covers all details, conditions or variations, nor does it provide for every possible contingency in connection with the installation or use of this product. The information contained in this document is subject to change without notice or obligation of any kind. Milestone makes no representation of warranty, expressed or implied, regarding the information contained herein. Milestone assumes no responsibility for accuracy, completeness or sufficiency of the information contained in this document.


Chief® is a registered trademark of Milestone AV Technologies. All rights reserved.


 **IMPORTANT SAFETY INSTRUCTIONS!**


 **WARNING:** A WARNING alerts you to the possibility of serious injury or death if you do not follow the instructions.


 **CAUTION:** A CAUTION alerts you to the possibility of damage or destruction of equipment if you do not follow the corresponding instructions.


 **WARNING:** Failure to read, thoroughly understand, and follow all instructions can result in serious personal injury, damage to equipment, or voiding of factory warranty! It is the installer’s responsibility to make sure all components are properly assembled and installed using the instructions provided.

 **WARNING:** Failure to provide adequate structural strength for this component can result in serious personal injury or damage to equipment! It is the installer’s responsibility to make sure the structure to which this component is attached can support five times the combined weight of all equipment. Reinforce the structure as required before installing the component.

 **WARNING:** Use this mounting system only for its intended use as described in these instructions. Do not use attachments not recommended by the manufacturer.

 **WARNING:** Never operate this mounting system if it is damaged. Return the mounting system to a service center for examination and repair.

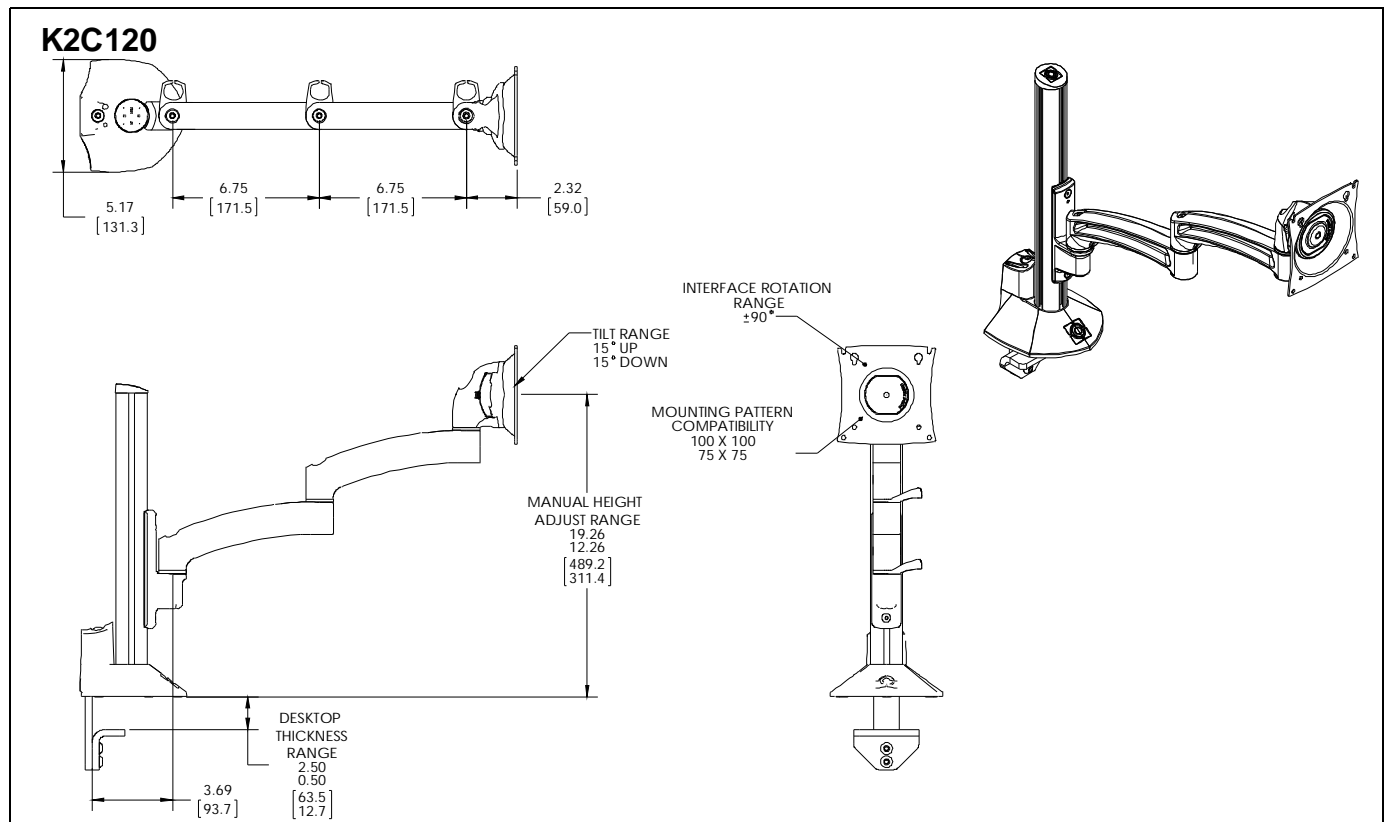
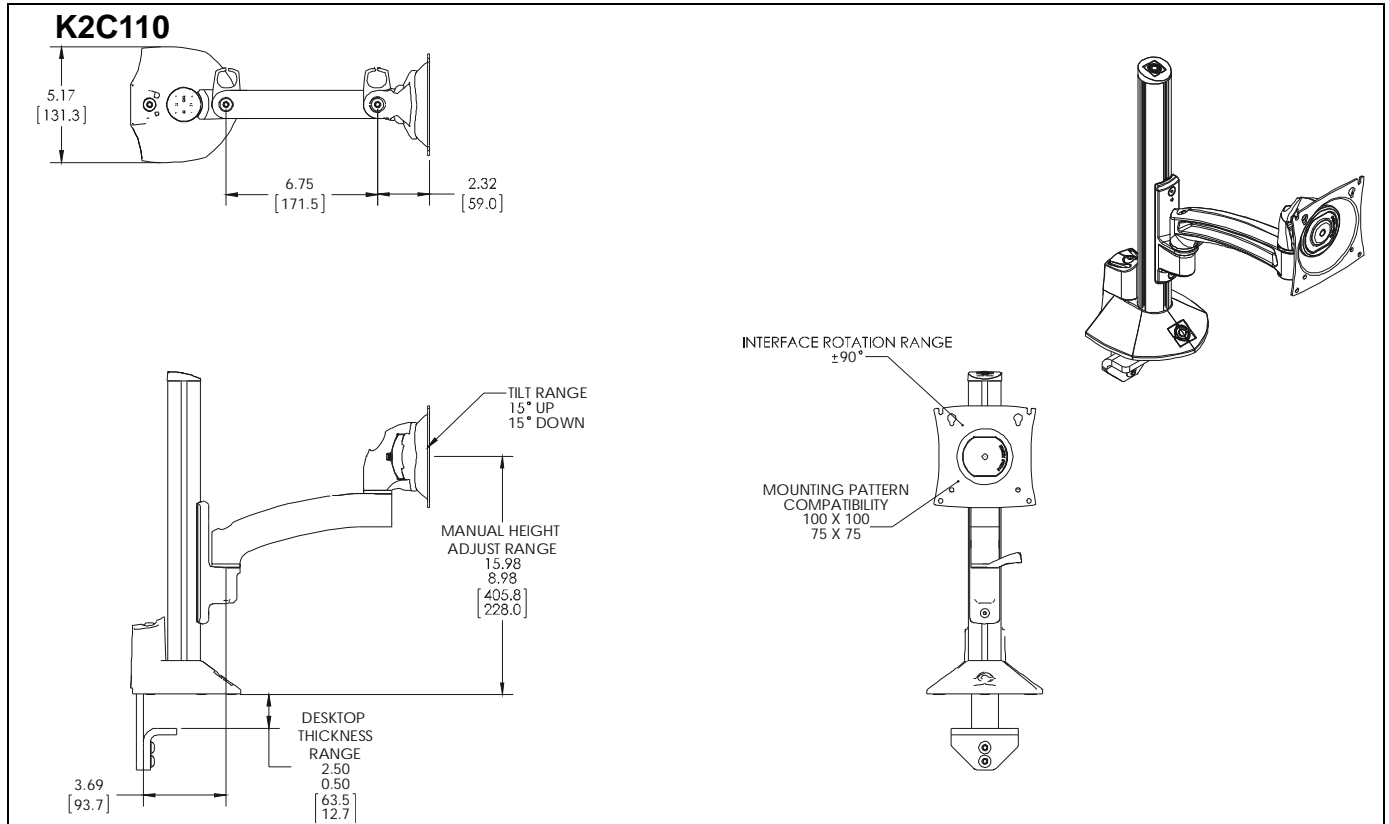
 **WARNING:** Do not use this product outdoors.

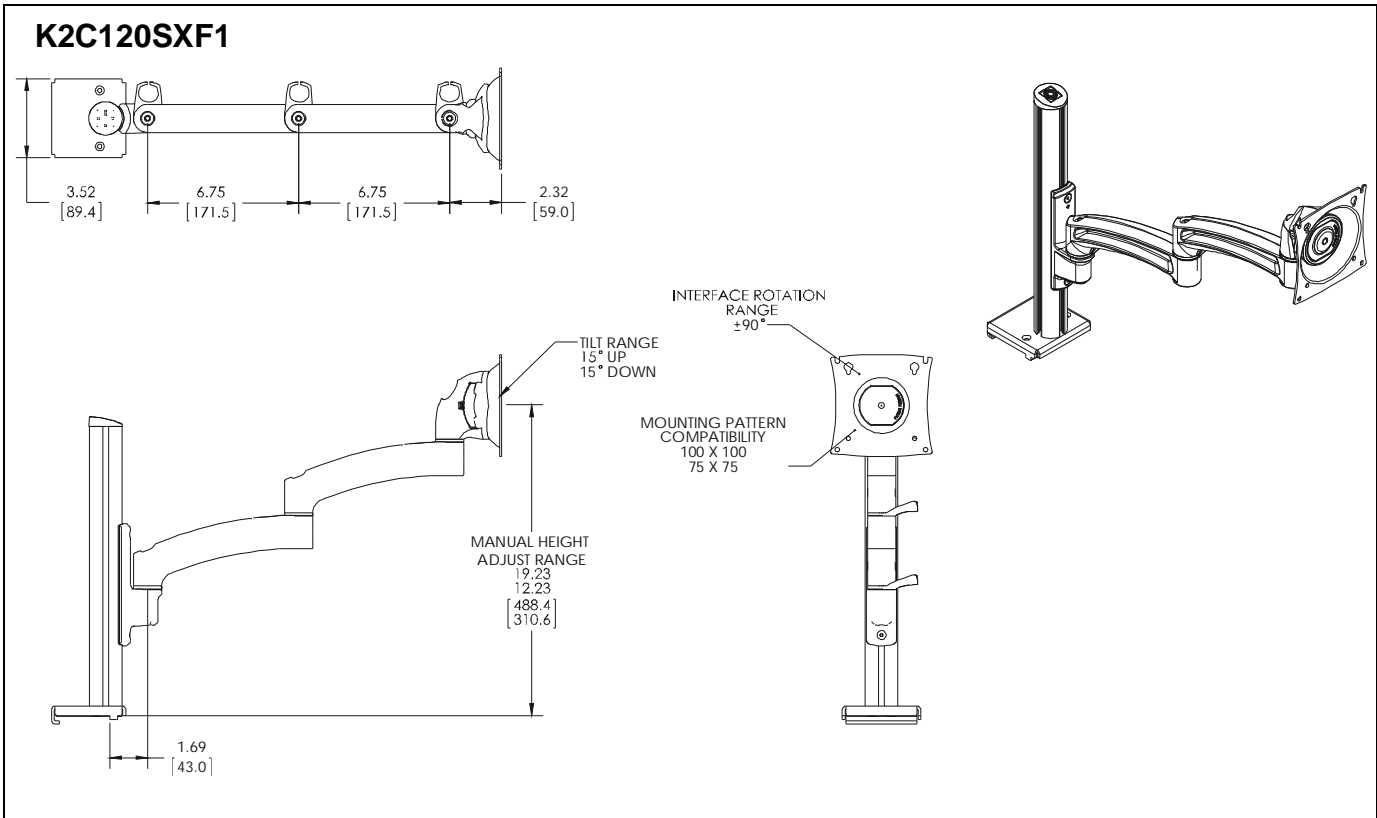
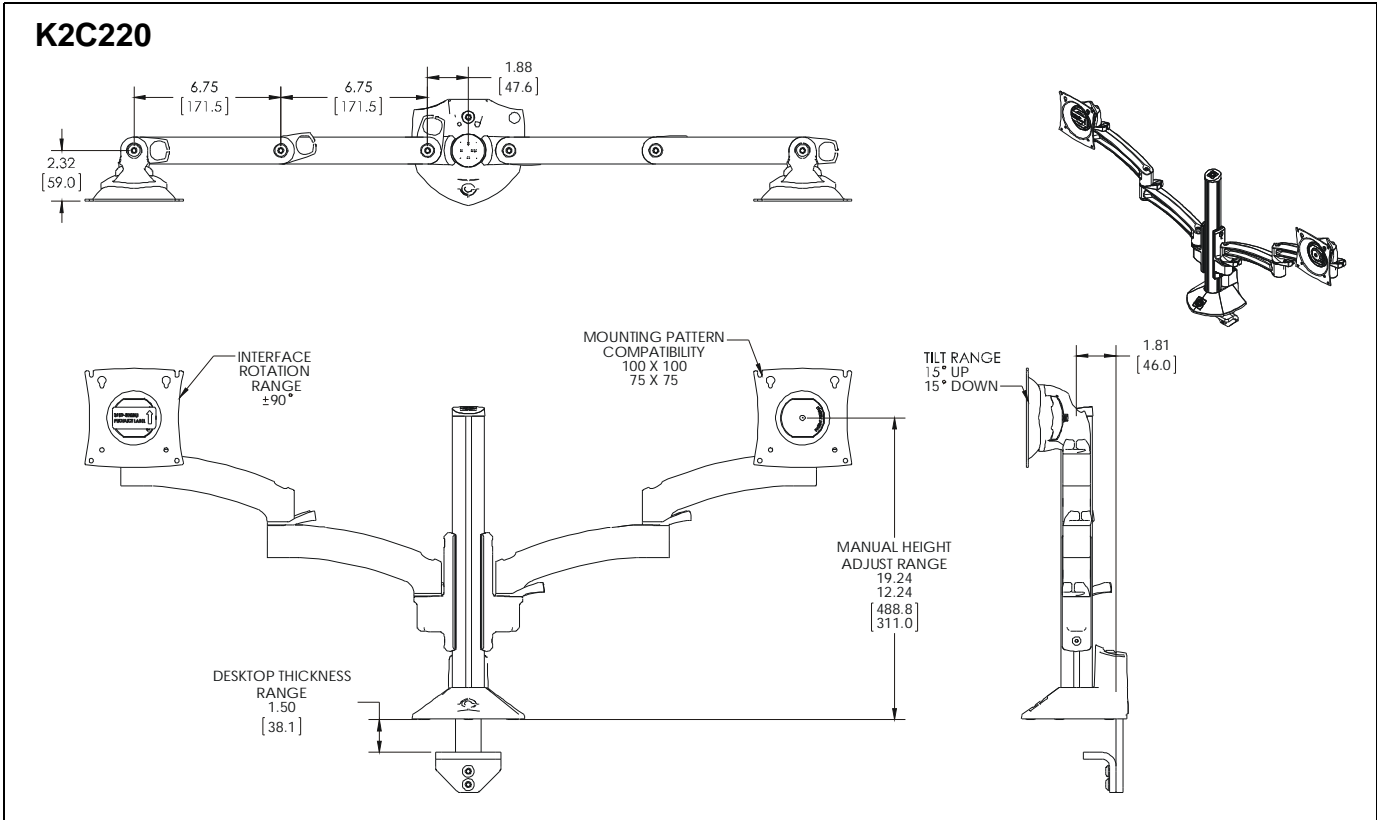
 **WARNING:** Exceeding the weight capacity can result in serious personal injury or damage to equipment! It is the installer’s responsibility to make sure the combined weight of all components located between the K2C Series Monitor Arm up to (and including) the display does not exceed the weight limits listed below. Use with products heavier than the maximum weight indicated may result in collapse of the mount and its accessories causing possible injury.

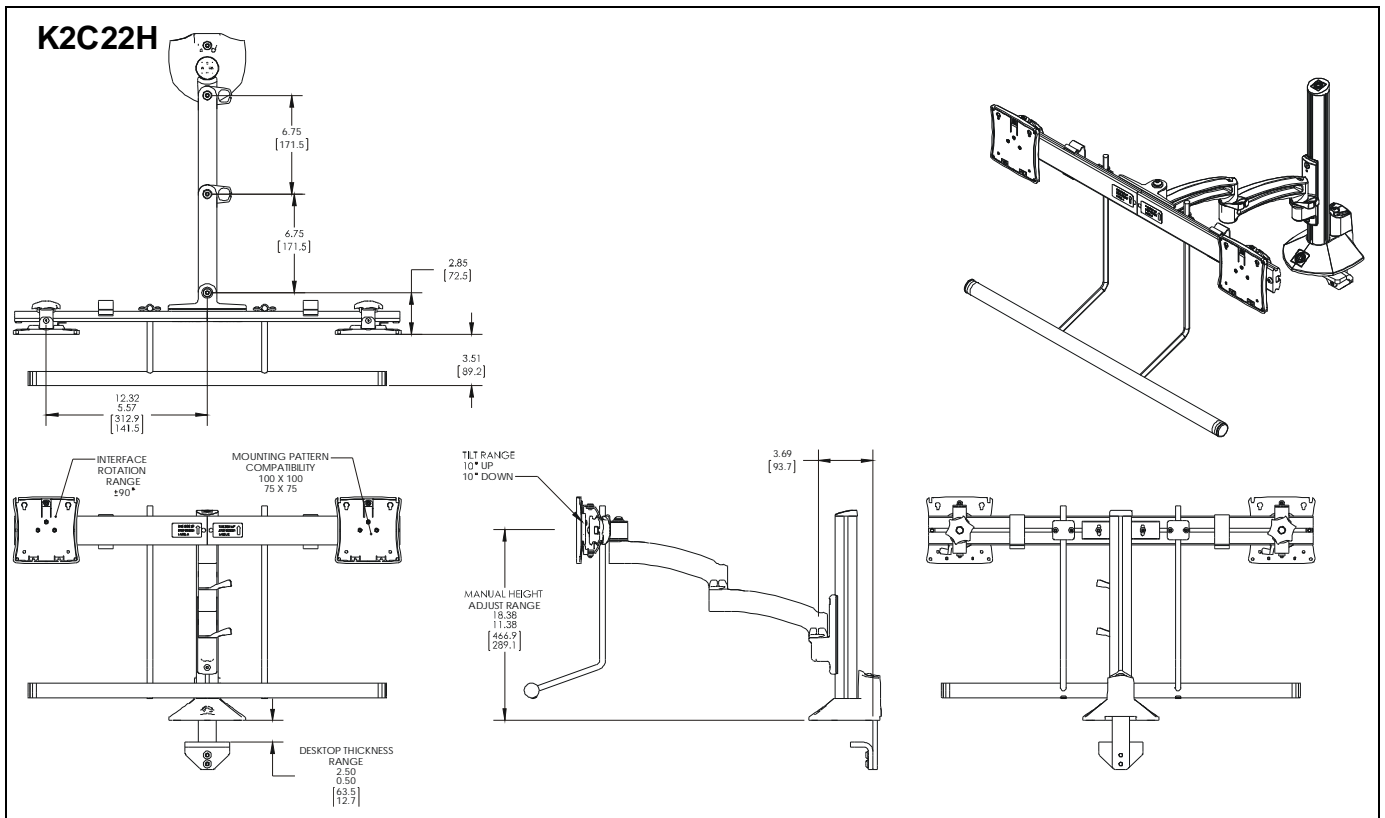
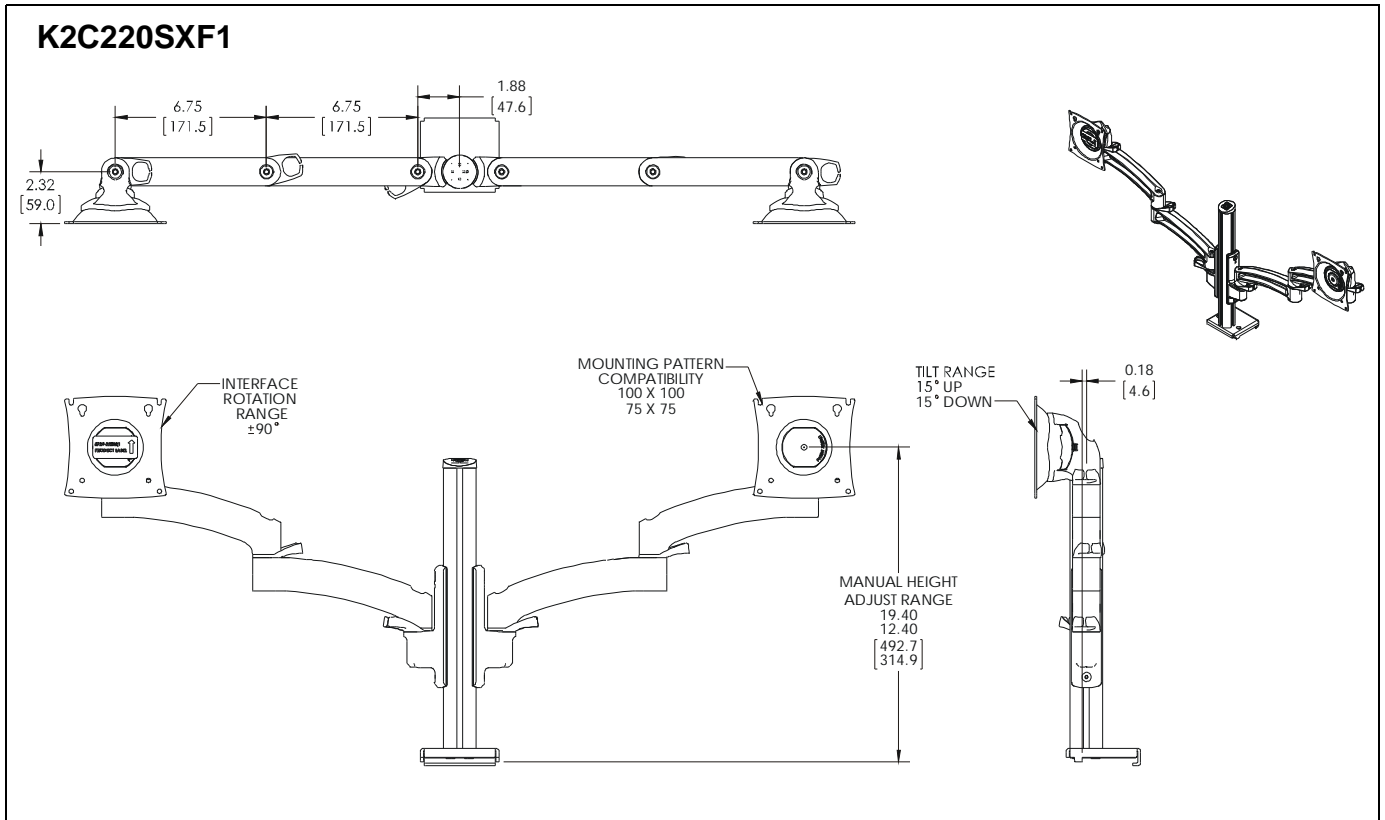
MODEL	Max Weight Allowed for <u>EACH</u> Display	Max Weight Capacity of Mounting System
K2C110	22 lbs (9.98 kg)	22 lbs (9.98 kg)
K2C120	22 lbs (9.98 kg)	22 lbs (9.98 kg)
K2C220	22 lbs (9.98 kg)	44 lbs (19.96 kg)
K2C120SXF1	22 lbs (9.98 kg)	22 lbs (9.98 kg)
K2C220SXF1	22 lbs (9.98 kg)	44 lbs (19.96 kg)
K2C22H	9 lbs (4.08 kg)	18 lbs (8.16 kg)
K2C22HSXF1	9 lbs (4.08 kg)	18 lbs (8.16 kg)

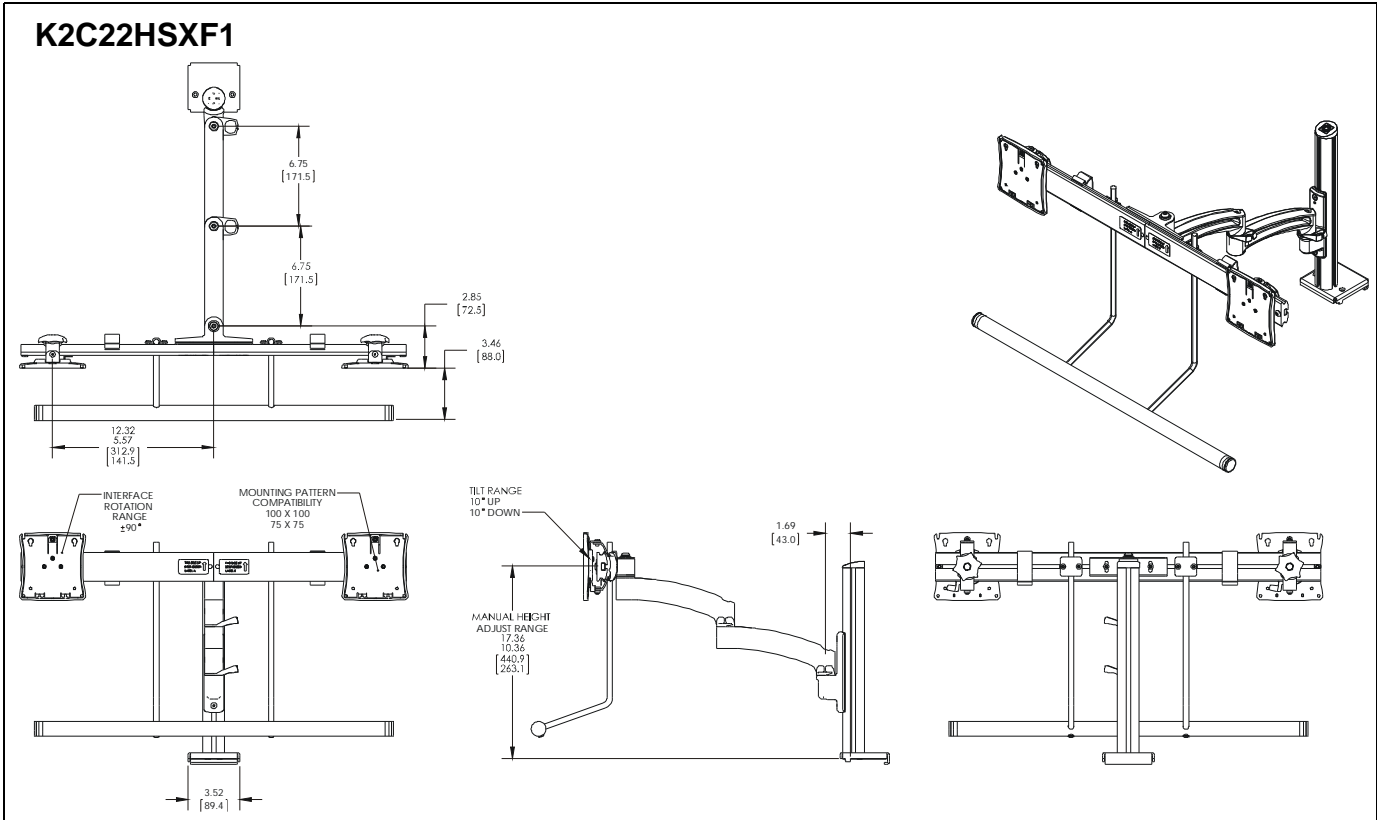
--SAVE THESE INSTRUCTIONS!--

DIMENSIONS

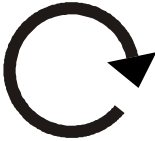

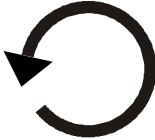













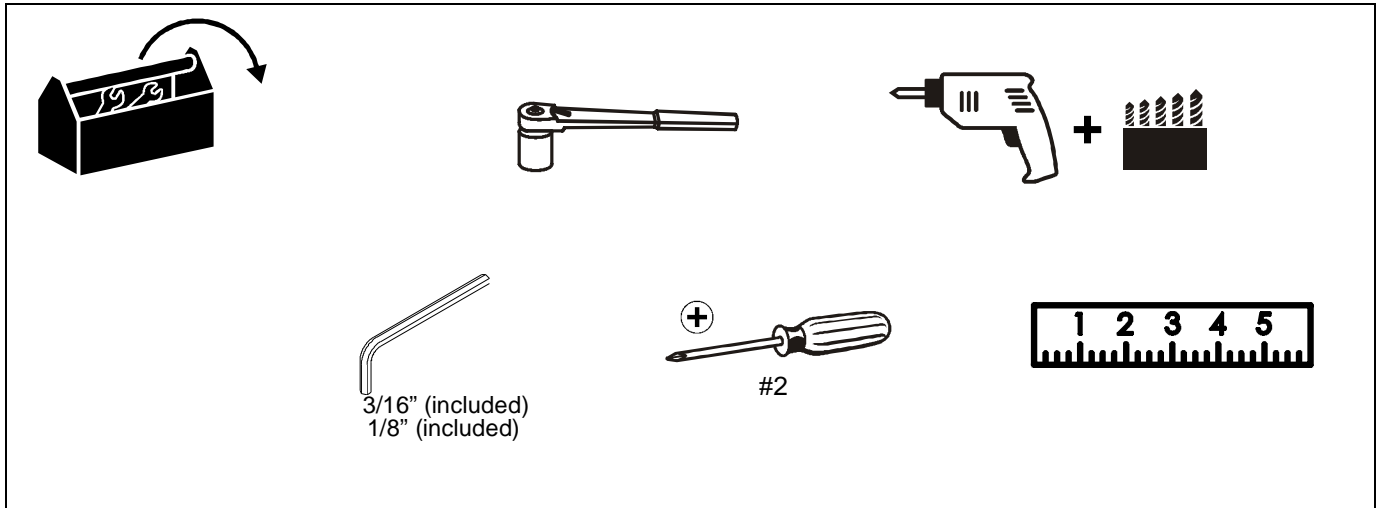




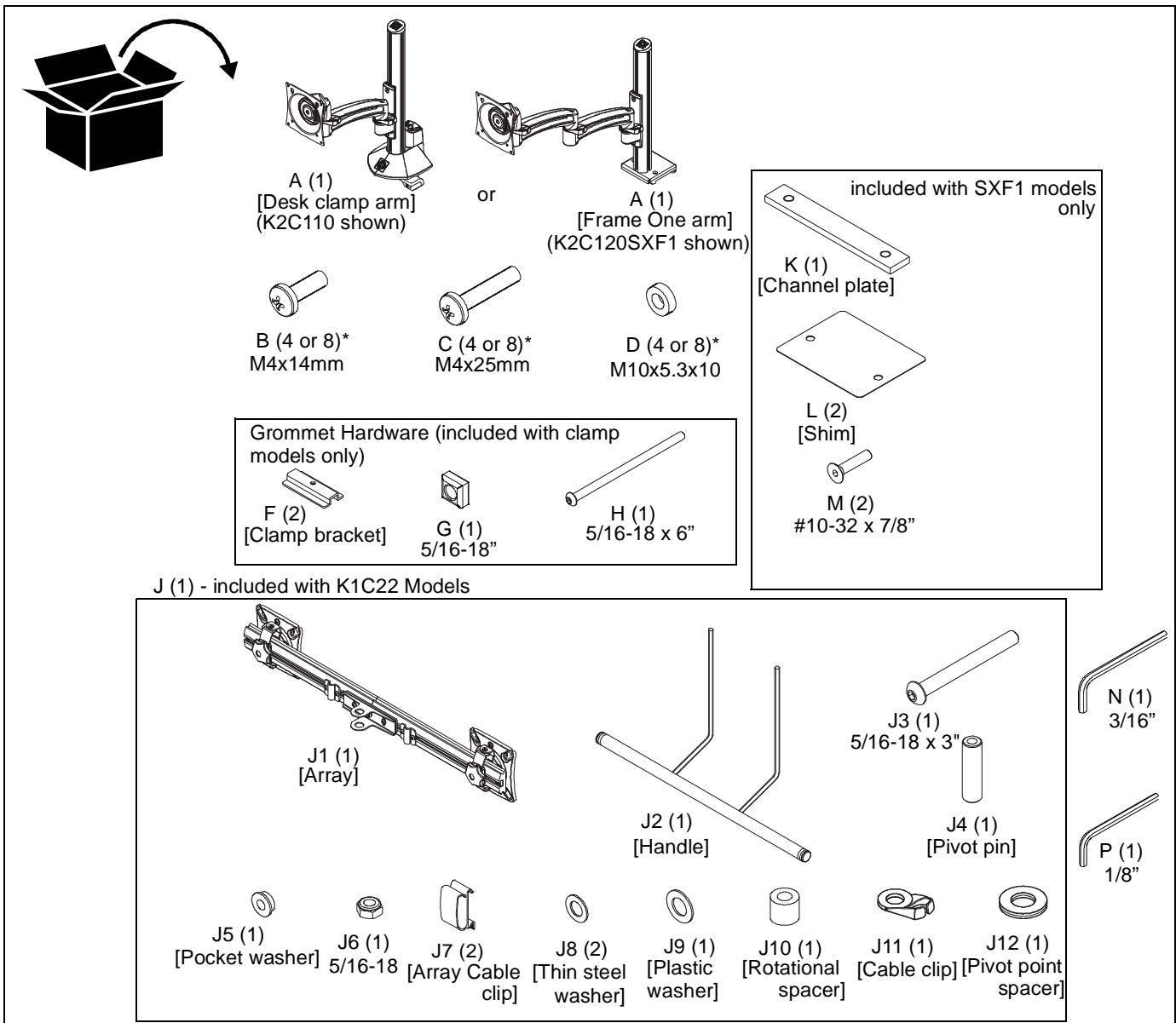
LEGEND

	<p>Tighten Fastener</p> <p>Apretar elemento de fijación</p> <p>Befestigungsteil festziehen</p> <p>Apertar fixador</p> <p>Serrare il fissaggio</p> <p>Bevestiging vastdraaien</p> <p>Serrez les fixations</p>		<p>Pencil Mark</p> <p>Marcar con lápiz</p> <p>Stiftmarkierung</p> <p>Marcar com lápis</p> <p>Segno a matita</p> <p>Potloodmerkteken</p> <p>Marquage au crayon</p>
	<p>Loosen Fastener</p> <p>Aflojar elemento de fijación</p> <p>Befestigungsteil lösen</p> <p>Desapertar fixador</p> <p>Allentare il fissaggio</p> <p>Bevestiging losdraaien</p> <p>Desserrez les fixations</p>		<p>Drill Hole</p> <p>Perforar</p> <p>Bohrloch</p> <p>Fazer furo</p> <p>Praticare un foro</p> <p>Gat boren</p> <p>Percez un trou</p>
	<p>Phillips Screwdriver</p> <p>Destornillador Phillips</p> <p>Kreuzschlitzschraubendreher</p> <p>Chave de fendas Phillips</p> <p>Cacciavite a stella</p> <p>Kruiskopschroevendraaier</p> <p>Tournevis à pointe cruciforme</p>		<p>Adjust</p> <p>Ajustar</p> <p>Einstellen</p> <p>Ajustar</p> <p>Regolare</p> <p>Afstellen</p> <p>Ajuster</p>
	<p>Open-Ended Wrench</p> <p>Llave de boca</p> <p>Gabelschlüssel</p> <p>Chave de bocas</p> <p>Chiave a punte aperte</p> <p>Steeksleutel</p> <p>Clé à fourche</p>		<p>Remove</p> <p>Quitar</p> <p>Entfernen</p> <p>Remover</p> <p>Rimuovere</p> <p>Verwijderen</p> <p>Retirez</p>
	<p>By Hand</p> <p>A mano</p> <p>Von Hand</p> <p>Com a mão</p> <p>A mano</p> <p>Met de hand</p> <p>À la main</p>		<p>Optional</p> <p>Opcional</p> <p>Optional</p> <p>Opcional</p> <p>Opzionale</p> <p>Optie</p> <p>En option</p>
	<p>Hex-Head Wrench</p> <p>Llave de cabeza hexagonal</p> <p>Sechskantschlüssel</p> <p>Chave de cabeça sextavada</p> <p>Chiave esagonale</p> <p>Zeskantsleutel</p> <p>Clé à tête hexagonale</p>		<p>Security Wrench</p> <p>Llave de seguridad</p> <p>Sicherheitsschlüssel</p> <p>Chave de segurança</p> <p>Chiave di sicurezza</p> <p>Veiligheidssleutel</p> <p>Clé de sécurité</p>

TOOLS REQUIRED FOR INSTALLATION



PARTS



Assembly And Installation

Connecting Desk Clamp Arms to Desk (K2C110, K2C120, K2C220, K2C22H)

1. Loosen clamp screw until enough space is created between clamp and mount to allow for desk mounting. (See Figure 1)

NOTE: If space is limited behind desk (i.e. against wall, etc.), remove lower piece of clamp and two screws holding it to the mount and reattach parts prior to Step 3! (See Figure 2)

2. Place mount on top of desk at desired mounting location. (See Figure 1)
3. Tighten clamp using clamp screw until mount is securely fastened to desk. (See Figure 1)

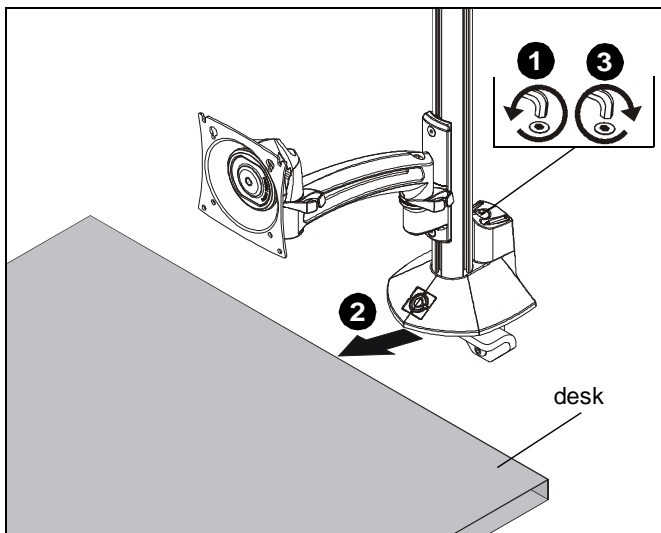


Figure 1

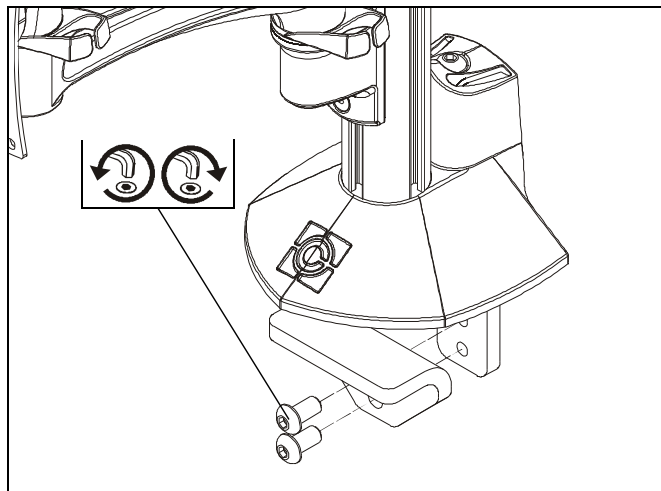


Figure 2

Grommet Hole Option

NOTE: K1C clamp mounts may be installed directly to grommet holes between 1 1/4" and 2 1/2" in diameter. If grommet hardware (F-H) is used, they can be installed to grommet holes between 3/8" and 2 1/2" in diameter.

Direct Installation

1. Remove lower piece of clamp from assembly by removing two button head cap screws holding piece to assembly. (See Figure 3)
2. Install remaining part of clamp through grommet hole. (See Figure 3)

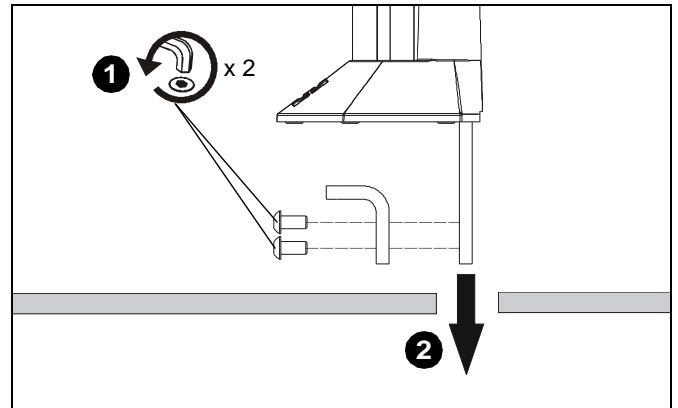


Figure 3

3. Reattach removed piece of clamp and screws to assembly. (See Figure 4)
4. Tighten clamp using clamp screw until mount is securely fastened to desk. (See Figure 4)

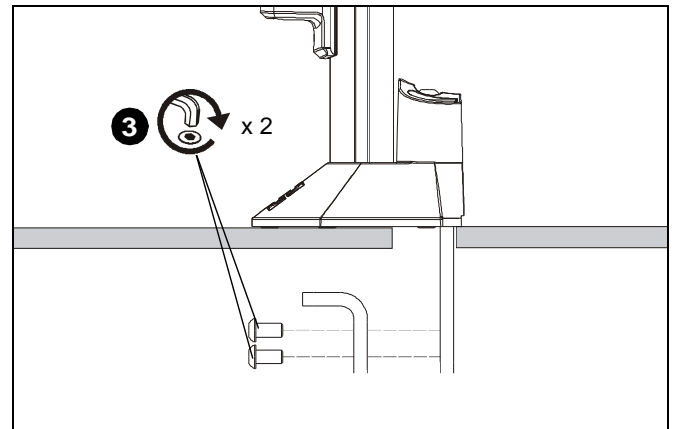


Figure 4

Using Grommet Hardware

1. Remove desk clamp from mount by loosening button head cap screw until clamp is completely disengaged from the bolt. (See Figure 5)
2. Maneuver clamp so that it is totally removed from desk mount. (See Figure 5)

NOTE: Set removed washer aside for re-use.

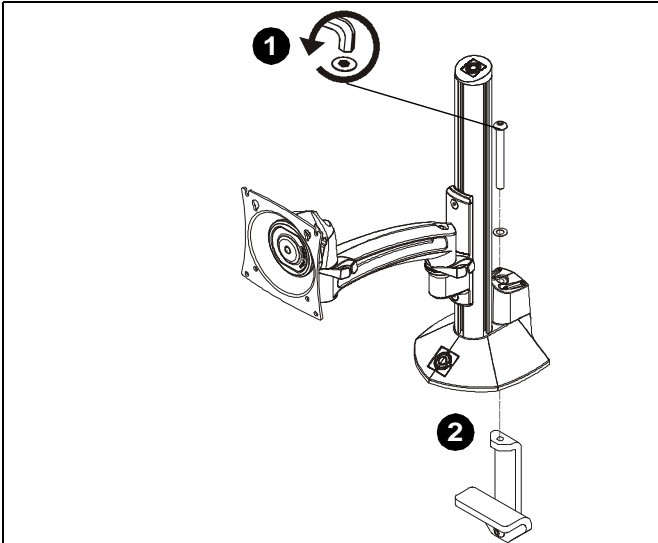


Figure 5

3. Locate a flat surface (thickness of 3/4" minimum to 3 1/2" maximum) on which to mount the column plate.
4. If mounting hole does not already exist on desk, drill 3/8" mounting hole in desk at desired mounting location.

IMPORTANT ! : Mounting hole must be between 3/8" and 2 1/2" in diameter!

5. Place mount on desk over grommet hole. (See Figure 6)
6. Use 5/16-18 x 6" button head cap screw (H), clamp bracket (F) and 5/16-18" square nut (G) to secure mount to desk. (See Figure 6)

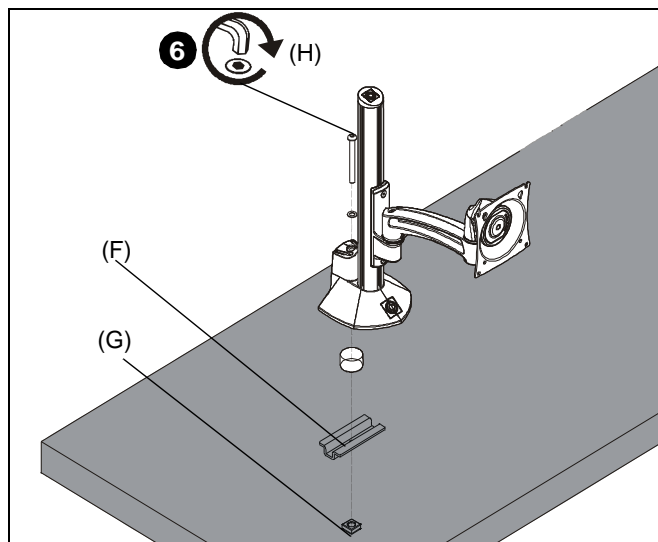


Figure 6

Assembly to Office Furniture Rail (SFX1 Models)

IMPORTANT ! : The SFX1 models are designed to be installed to Steelcase Frame One™ office furniture rails. Do NOT attempt to install these mounts to any other type of office furniture rails!

NOTE: If mounting holes on displays are recessed, it may be necessary to install displays prior to installing assembly. Proceed to Display Installation Section prior to installing assembly to rail.

1. Drop channel plate (K) at an angle into front groove of Frame One™ rail. (See Figure 7)
2. Make sure channel plate (L) lays flat in rail and slide plate until it is at desired mounting position. (See Figure 7)

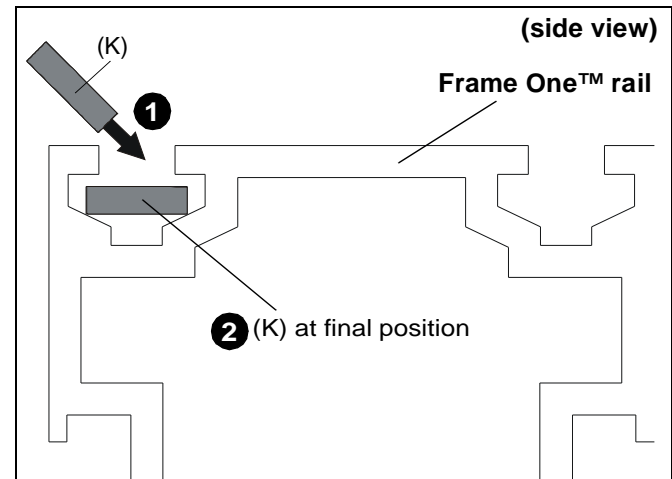


Figure 7

3. Hook back of mount base into back groove of Frame One™ rail. (See Figure 8)
4. Place mount base onto Frame One™ rail making sure holes line up with holes on channel plate (K). (See Figure 8)
5. Use two #10-32 x 7/8" flat head cap screws (M) to secure mount base to channel plate (K). (See Figure 8)

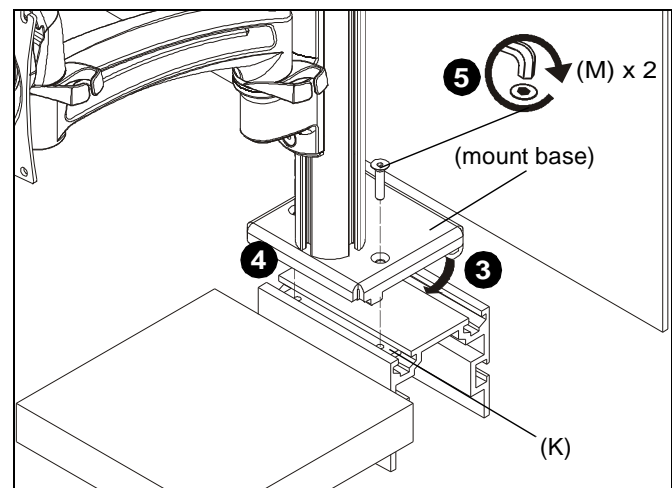


Figure 8

NOTE: If mount leans forward after installation, install one or two shims (L) in between mount base and rail as shown in the following steps.

Installing Shim Spacers (if required)

IMPORTANT ! : Do NOT install one or both shims (L) unless required as damage to the Frame One rail may result!

6. Remove two #10-32 x 7/8" flat head cap screws (M) holding mount base to channel plate (K).
7. Slide one or two shims (L) in between mount base and rail, lining up holes on shim(s) with holes on plate and rail. (See Figure 9)
8. Use two #10-32 x 7/8" flat head cap screws (M) to reinstall mount base to channel plate (K). (See Figure 9)

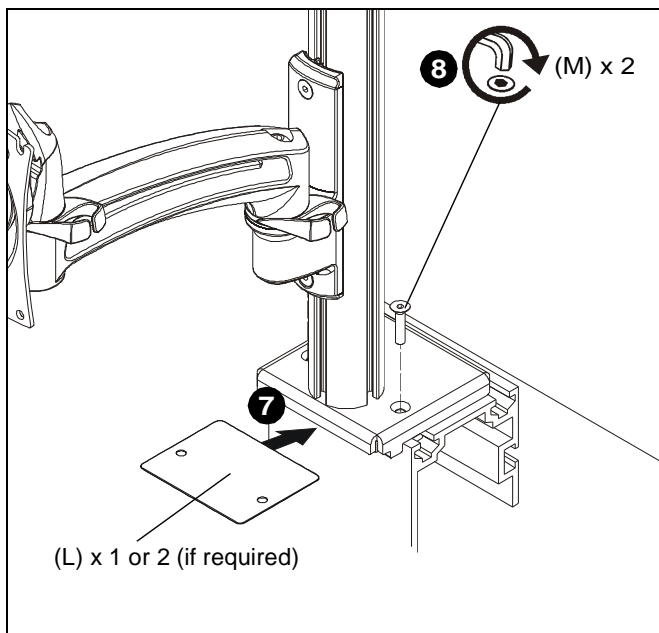


Figure 9

Array Installation (K2C22H and K2C22HSXF1 Models ONLY)

1. Slide rotational spacer (J10) into opening on array attachment bracket. (See Figure 10)
2. Use 5/16-18 x 3" button head cap screw (J3), two thin steel washers (J8), plastic spacer (J9), pocket washer (J5), pivot pin (J4), pivot point spacer (J12) and 5/16-18 lock nut (J6) to secure array (J1) to K2 arm (A). (See Figure 10)

NOTE: Cable clip (J11) can be used in place of pivot point spacer (J12) if additional cable management is desired. (See Figure 10)

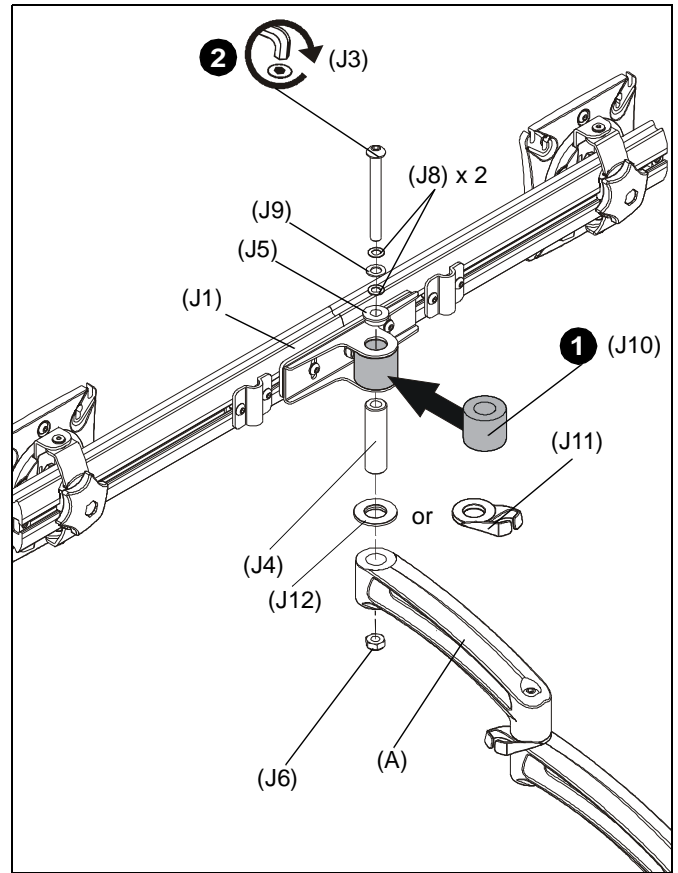


Figure 10

Display Installation (non-array versions)

NOTE: K2C22H models have K1 Series faceplates on array arms. Proceed to K2C22H Models Section.

The mounting holes on the back of the display will either be flush with the back surface or recessed into the back surface. Refer to the applicable installation procedure.



WARNING: Exceeding the weight capacity can result in serious personal injury or damage to equipment! It is the installer's responsibility to make sure the combined weight of all components located between the K2C Series Monitor Arm up to (and including) the display does not exceed the weight limits listed below. Use with products heavier than the maximum weight indicated may result in collapse of the mount and its accessories causing possible injury.

MODEL	Max Weight Allowed for <u>EACH</u> Display	Max Weight Capacity of Mounting System
K2C110	22 lbs (9.98 kg)	22 lbs (9.98 kg)
K2C120	22 lbs (9.98 kg)	22 lbs (9.98 kg)
K2C220	22 lbs (9.98 kg)	44 lbs (19.96 kg)
K2C120SXF1	22 lbs (9.98 kg)	22 lbs (9.98 kg)
K2C220SXF1	22 lbs (9.98 kg)	44 lbs (19.96 kg)
K2C22H	9 lbs (4.08 kg)	18 lbs (8.16 kg)
K2C22HSXF1	9 lbs (4.08 kg)	18 lbs (8.16 kg)

Flush Mounting Holes



CAUTION: Using screws of improper size may damage your display! Proper screws will easily and completely thread into display mounting holes.



CAUTION: Inadequate thread engagement in display may cause display to fall! Back out screws **ONLY** as necessary to allow installation of Centris bracket!

1. Ensure faceplate is able to swivel and tilt easily, yet still be tight enough to hold display in desired position. Adjust as required before proceeding. See "ADJUSTMENT" for detail. (See Figure 11)
2. Using Phillips screwdriver, carefully install two M4x14mm screws (B) into the *upper* mounting holes on the display. Thread screws completely into display, then back out 3 complete turns. (See Figure 11)
3. Pick up and align display so that screws (B) (installed on the back of the display in the previous step) fit into the mounting holes on the faceplate. Rotate the bracket as required. Lower the display firmly into place. (See Figure 11)

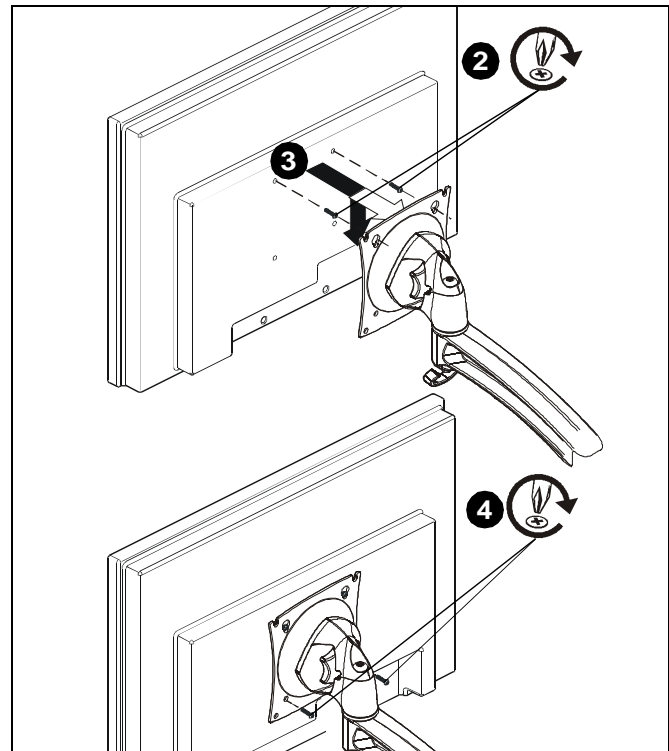


Figure 11

4. Using Phillips screwdriver, install two remaining M4x14mm Phillips screws (B) through the *lower* mounting holes in faceplate into the display. (See Figure 11)
5. Tighten all four screws (B). Do not overtighten!

Recessed Mounting Holes

1. Ensure Centris bracket is able to swivel and tilt easily, yet still be tight enough to hold display in desired position. Adjust as required before proceeding. See "ADJUSTMENT" for detail.
2. Carefully place display face down on protective surface.
3. Place the four spacers (D) over each of the mount holes on the back of the display. (See Figure 12)
4. Pick up and orient the mount (A) so that the mounting holes are aligned with the holes in the spacers; rotate the bracket as required. (See Figure 12)
5. Using Phillips screwdriver, install four M4x25mm screws (C) through the mounting holes, through the spacers and into the display. (See Figure 12)
6. Tighten all four screws. Do not overtighten!

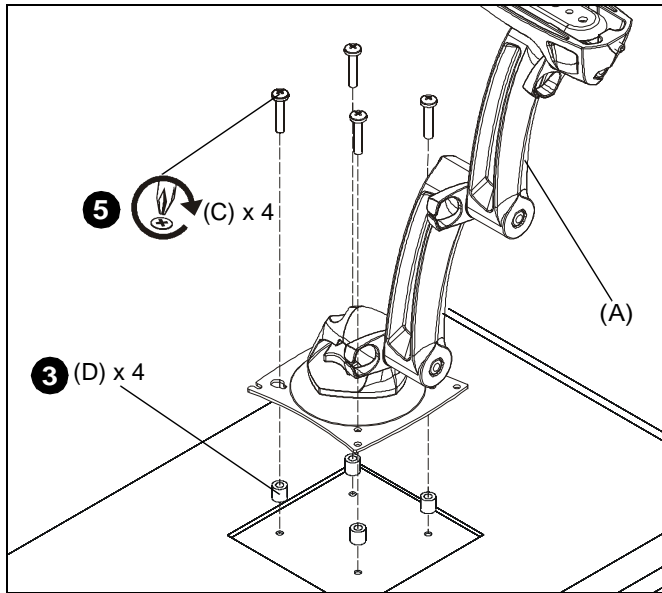


Figure 12

K2C22H Models

1. Remove quick release faceplate from mount by pulling quick release lever and sliding faceplate off mount. (See Figure 13)

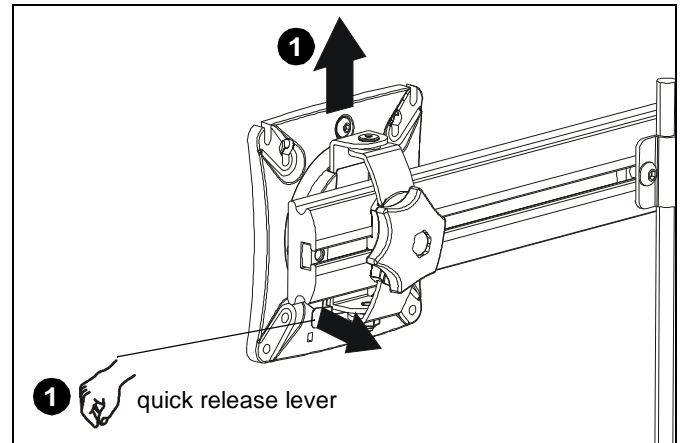


Figure 13

2. Carefully place display face down on protective surface.
3. Connect faceplate to display

For flush mounting hole installation:

- Using Phillips screwdriver, carefully install four M4x14mm screws (B) through corresponding holes on faceplate and into the mounting holes on the display. (See Figure 14)

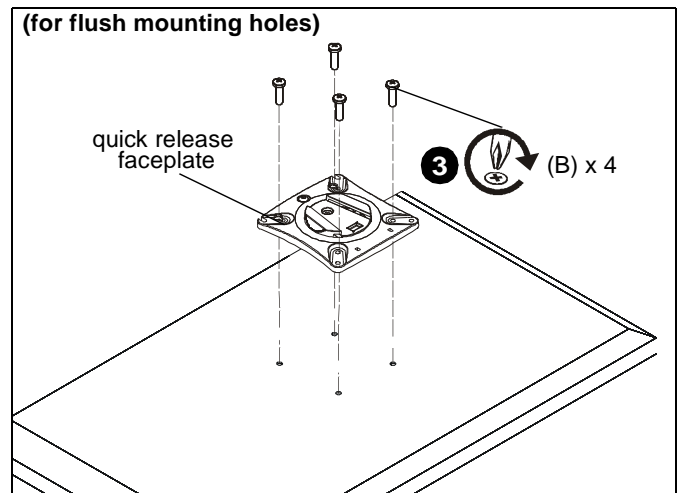


Figure 14

For recessed mounting hole installation:

- Place four spacers (D) on top of mounting holes on back of display. (See Figure 15)
- Using Phillips screwdriver, carefully install four M4x25mm screws (C) through corresponding holes on faceplate, spacers (D) and into the mounting holes on the display. (See Figure 15)

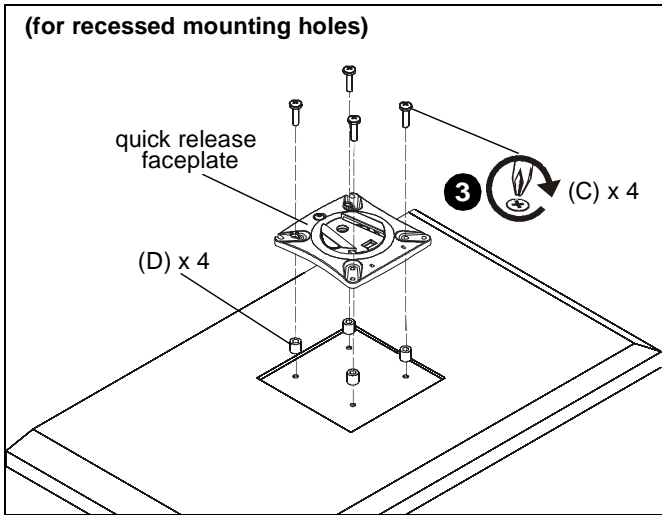


Figure 15

4. Position display with faceplate attached above mount. (See Figure 16)
5. Slide faceplate onto mounting head until quick release tab clicks into place. (See Figure 16)

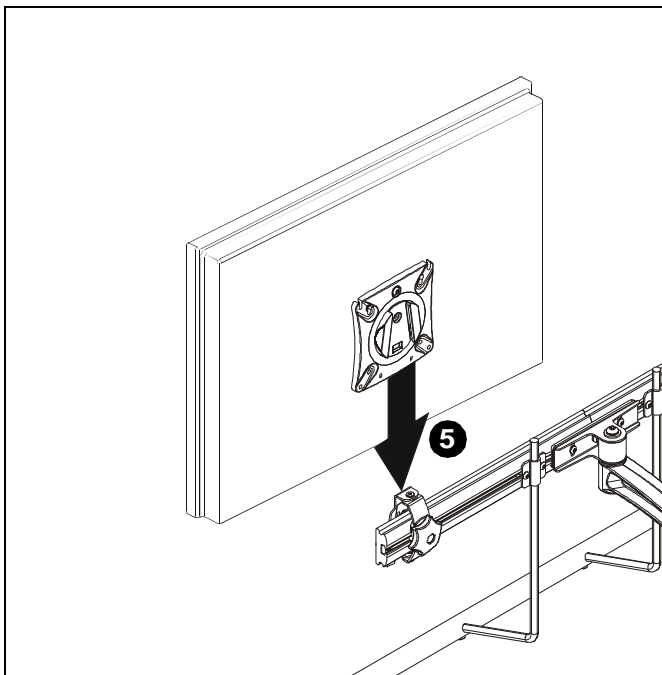


Figure 16

Handle Installation (K2C22 models only)

1. Loosen four screws securing handle brackets to K1C22H array. (See Figure 17)
2. Install uprights of handle (J) into handle brackets located on the back of K1C22 array. (See Figure 17)

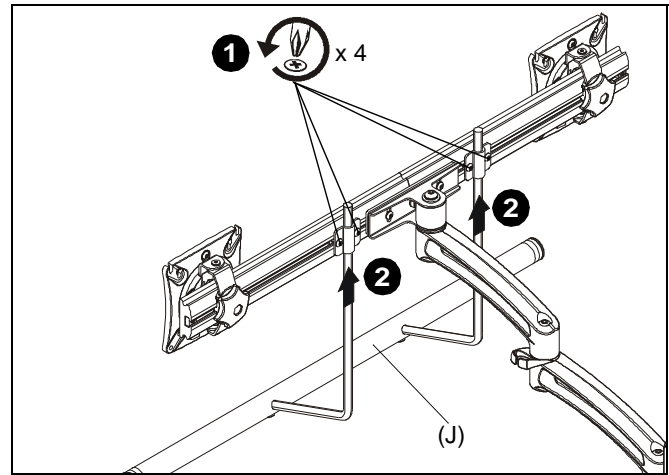


Figure 17

3. Position handle (J) at desired height and secure by tightening button head cap screws attaching handle brackets to array. (See Figure 18)

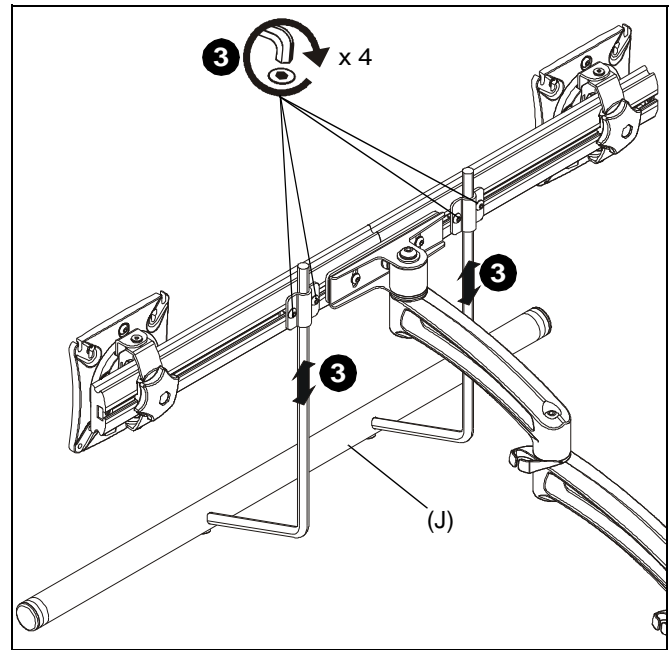


Figure 18

Adjustments

Portrait Adjustment (K2C22H Models only)

1. The monitor may be adjusted 90 degrees in either direction in order to provide a portrait view of the monitor. (See Figure 19)
2. Use 3/16" hex key (P) to adjust rotational adjustment screw to adjust rotational tension. (See Figure 19)

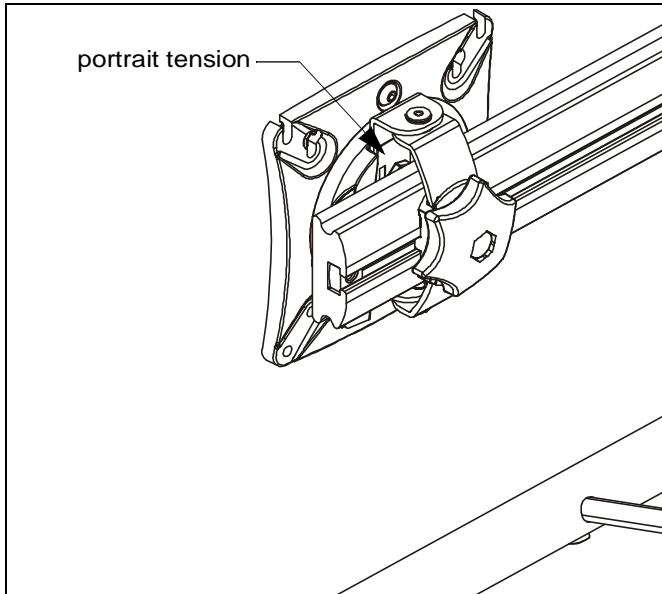


Figure 19

Column Height Adjustment

1. Loosen column adjustment knob. (See Figure 20)
2. Adjust height to desired level. (See Figure 20)
3. Tighten column adjustment knob. (See Figure 20)

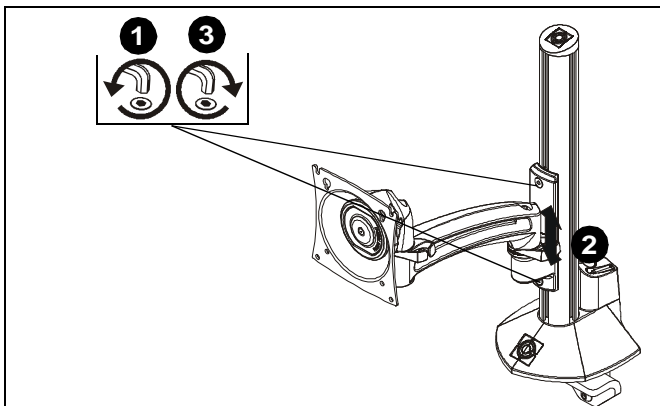


Figure 20

Adjustments - K2C22H models only

1. Loosen knobs securing faceplates to array. (See Figure 21)
2. Slide displays laterally on array to adjust lateral shift. (See Figure 21)
3. Adjust pitch and pivot position as desired. (See Figure 21)
4. Tighten knobs to secure faceplates in position. (See Figure 21)

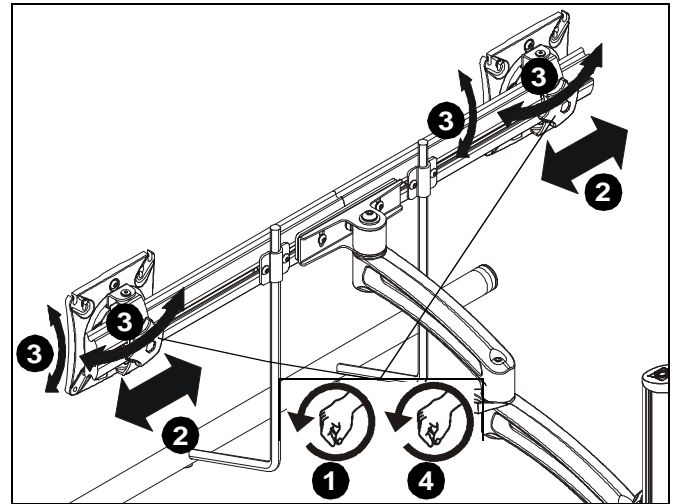


Figure 21

Array Bar Roll Adjustment

1. Loosen roll adjustment screws on back of array bracket. (See Figure 22)
2. Adjust roll of array bar as desired. (See Figure 22)
3. Tighten roll adjustment screws on back of array bracket. (See Figure 22)

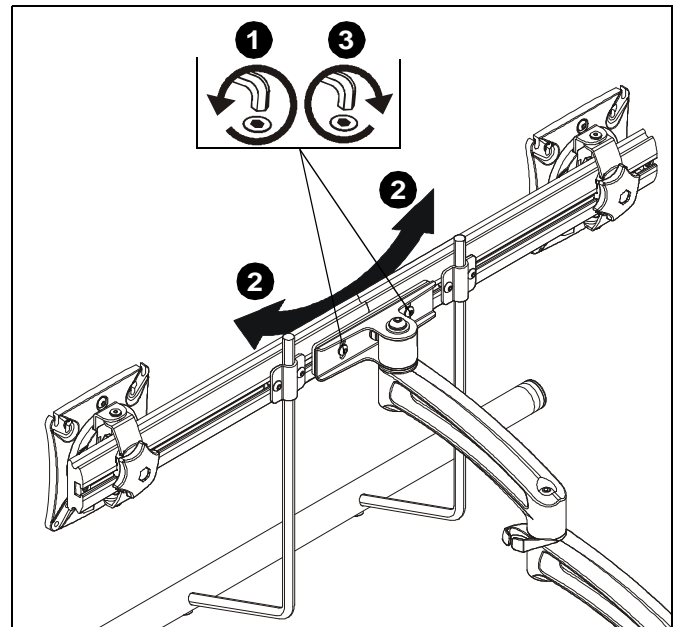


Figure 22

Pivot Adjustment Range

Single Arm Models

1. Adjust arm angle as desired up to 90 degrees in either direction. (See Figure 23)

⚠ WARNING: Swinging the arm beyond 90 degrees may result in the mount slipping off the desk causing serious injury!

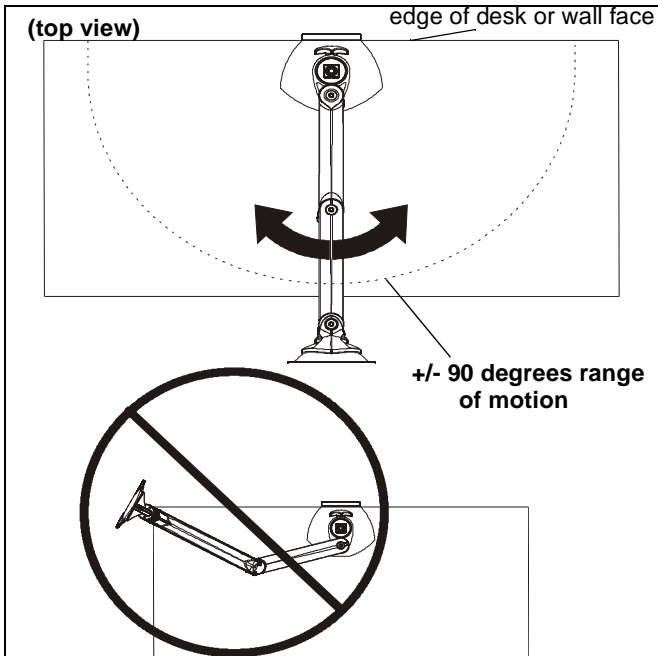


Figure 23

Dual Arm Models

1. Adjust arm angles as desired within a 90 degree range from the edge of desk or wall and a perpendicular centerline of mount. (See Figure 24)

⚠ WARNING: Swinging the arm beyond this range may result in the mount slipping of the desk causing serious injury!

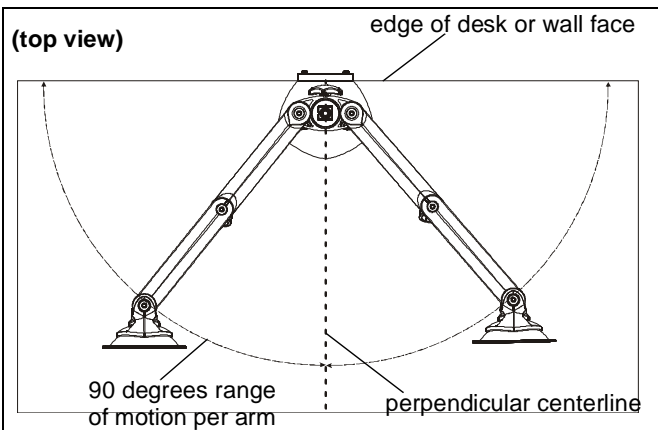


Figure 24

Swing Arm Pivot Adjustment

1. Adjust pivot position as desired. (See Figure 25)
2. Adjust pivot point tension screws to change pivot adjustment tension. (See Figure 25)

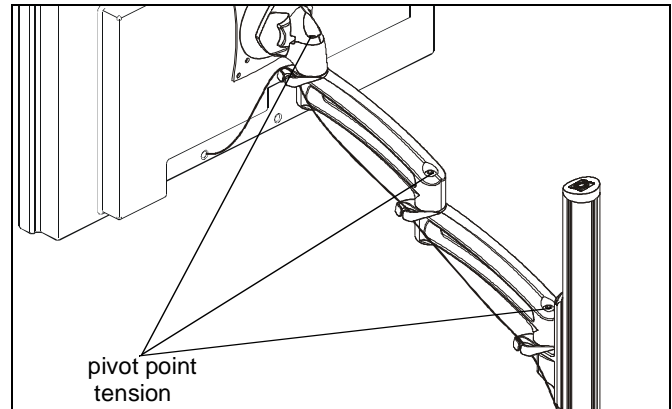


Figure 25

Cable Management

Non-Array Models

1. Route cables through cable management channels. (See Figure 26)

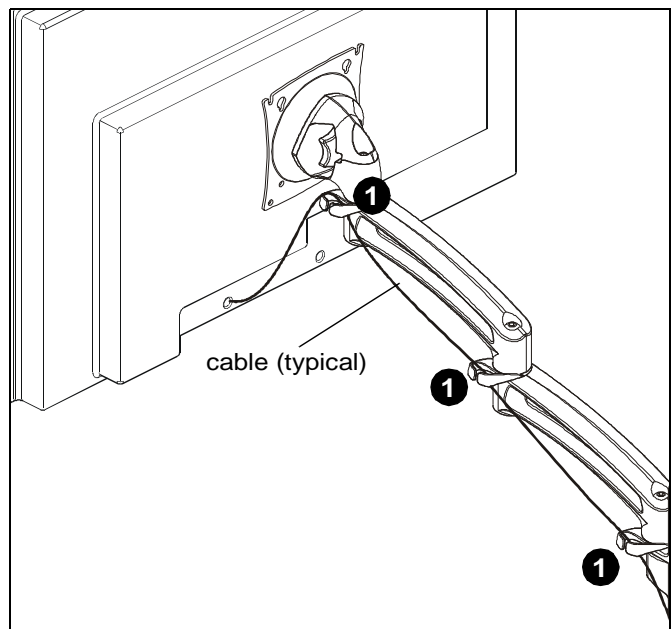
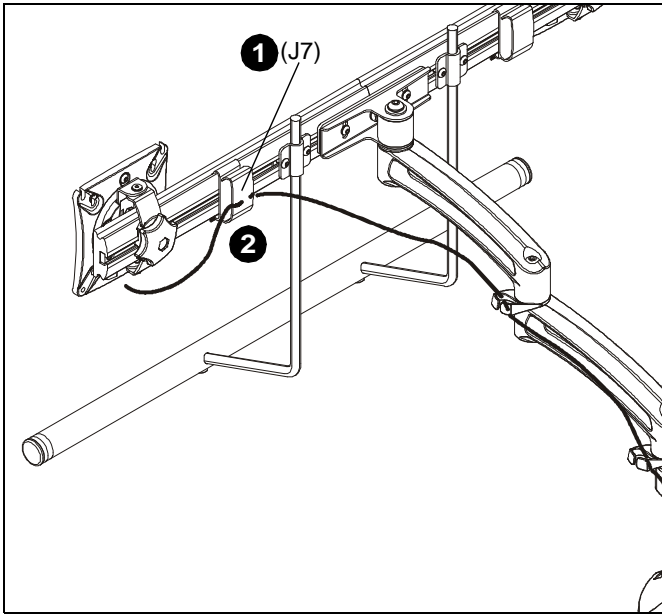


Figure 26

Array Models

1. Install cable clips (J7) to back of array. (See Figure 27)
2. Route cables through cable clips (J7) as desired. (See Figure 27)

**Figure 27**



Our Mounts. **Your Vision.**

Chief, a products division of
Milestone AV Technologies

8800-002481 Rev00
©2014 Milestone AV Technologies
www.chiefmfg.com
03/14

USA/International	A 6436 City West Parkway, Eden Prairie, MN 55344 P 800.582.6480 / 952.225.6000 F 877.894.6918 / 952.894.6918
Europe	A Franklinstraat 14, 6003 DK Weert, Netherlands P +31 (0) 495 580 852 F +31 (0) 495 580 845
Asia Pacific	A Office No. 918 on 9/F, Shatin Galleria 18-24 Shan Mei Street Fotan, Shatin, Hong Kong P 852 2145 4099 F 852 2145 4477

