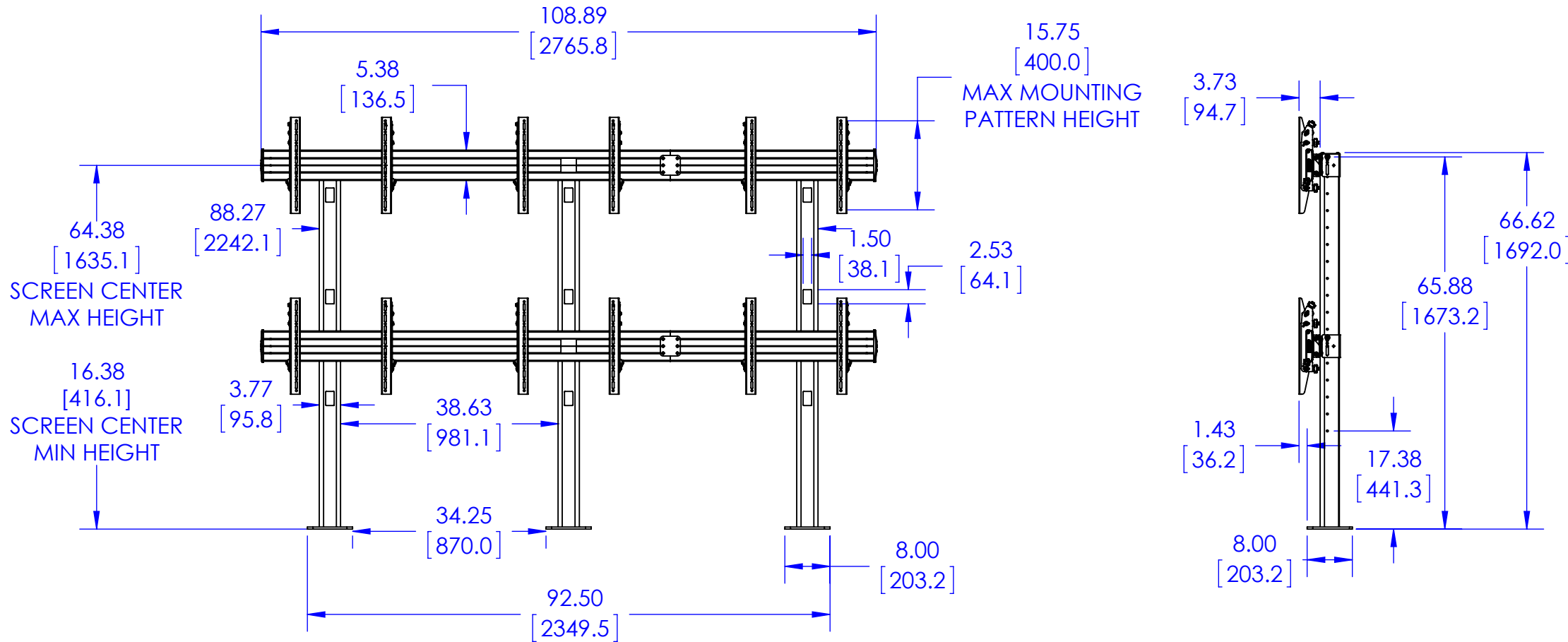
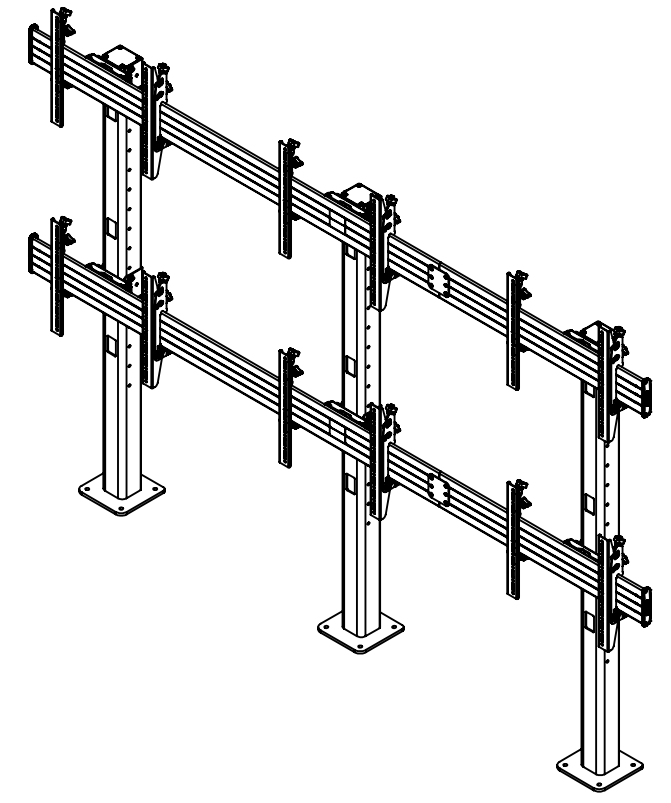
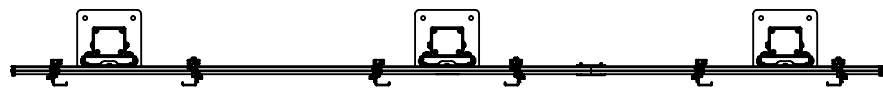


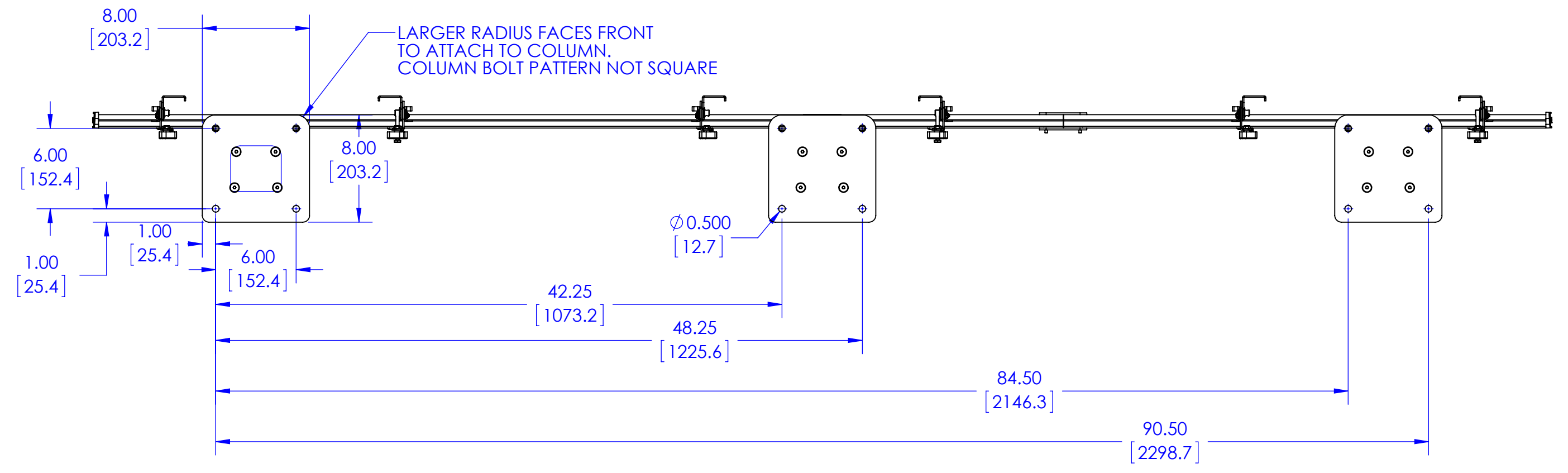
**MAX WEIGHT:
125 LBS PER DISPLAY
750 LBS TOTAL**



THE INFORMATION AND DESIGNS CONTAINED IN THIS DRAWING ARE CONFIDENTIAL AND THE PROPRIETARY PROPERTY OF MILESTONE AV TECHNOLOGIES NEITHER THIS DESIGN NOR ANY INFORMATION CONTAINED IN THIS DRAWING MAY BE REPRODUCED OR DISCLOSED TO OTHERS WITHOUT THE EXPRESS WRITTEN CONSENT OF MILESTONE AV TECHNOLOGIES.

CAD GENERATED DRAWING, DO NOT MANUALLY UPDATE.			CHIEF 6436 CITY WEST PKWY EDEN PRAIRIE MN, 55344 PHONE: 866-977-3901 FAX: 877-894-6918	
DRAWN BY	MJS	12/6/2012	DESCRIPTION LBM3X2U, BOLT DOWN FUSION 3X2 VIDEO WALL	
ENG APPROVAL	MJS	12/6/2012	MODEL NO. LBM3X2U	
MFG APPROVAL			REV. 00	
QA APPROVAL			SCALE 1:24	
SHEET 1 OF 2		SIZE B	DWG. NO. TECH-000126	

BOTTOM VIEW FOR BOLT DOWN INSTALATION



THE INFORMATION AND DESIGNS CONTAINED IN THIS DRAWING ARE CONFIDENTIAL AND THE PROPRIETARY PROPERTY OF MILESTONE AV TECHNOLOGIES NEITHER THIS DESIGN NOR ANY INFORMATION CONTAINED IN THIS DRAWING MAY BE REPRODUCED OR DISCLOSED TO OTHERS WITHOUT THE EXPRESS WRITTEN CONSENT OF MILESTONE AV TECHNOLOGIES.

CAD GENERATED DRAWING, DO NOT MANUALLY UPDATE.			<p>6436 CITY WEST PKWY EDEN PRAIRIE MN, 55344 PHONE: 866-977-3901 FAX: 877-894-6918</p>
DRAWN BY	MJS	12/6/2012	
ENG APPROVAL	MJS	12/6/2012	DESCRIPTION LBM3X2U, BOLT DOWN FUSION 3X2 VIDEO WALL
MFG APPROVAL			MODEL NO. LBM3X2U
QA APPROVAL			SIZE DWG. NO. REV. B TECH-000126 00
SHEET 2 OF 2			SCALE 1:8