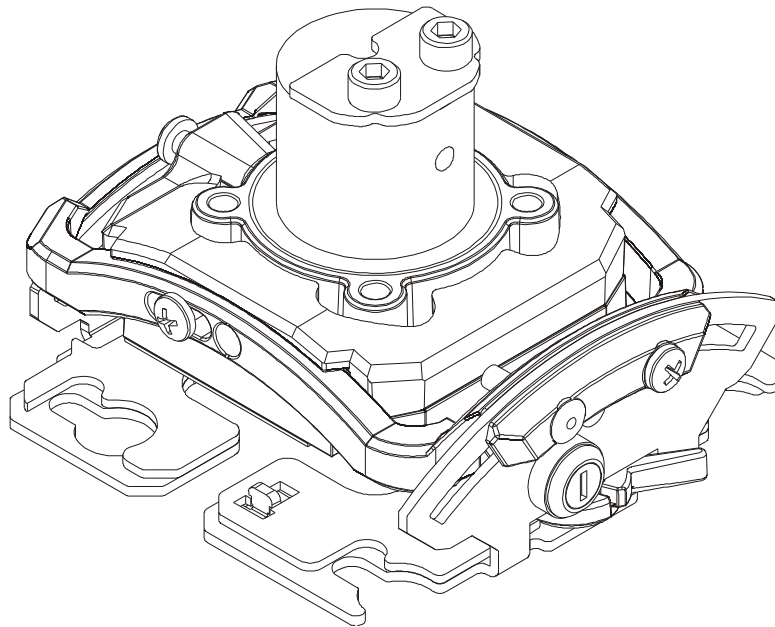

INSTALLATION INSTRUCTIONS INSTRUCTIONS D'INSTALLATION MONTAGEANLEITUNG



RSME Elite Series Projector Mounts Supports pour projecteur de la série RSME Elite Projektorhalterungen der Serie RSME Elite

DISCLAIMER

Milestone AV Technologies, and its affiliated corporations and subsidiaries (collectively, "Milestone"), intend to make this manual accurate and complete. However, Milestone makes no claim that the information contained herein covers all details, conditions or variations, nor does it provide for every possible contingency in connection with the installation or use of this product. The information contained in this document is subject to change without notice or obligation of any kind. Milestone makes no representation of warranty, expressed or implied, regarding the information contained herein. Milestone assumes no responsibility for accuracy, completeness or sufficiency of the information contained in this document.

Chief® is a registered trademark of Milestone AV Technologies. All rights reserved.



IMPORTANT SAFETY INSTRUCTIONS



WARNING: A WARNING alerts you to the possibility of serious injury or death if you do not follow the instructions.



CAUTION: A CAUTION alerts you to the possibility of damage or destruction of equipment if you do not follow the corresponding instructions.



WARNING: Failure to read, thoroughly understand, and follow all instructions can result in serious personal injury, damage to equipment, or voiding of factory warranty! It is the installer's responsibility to make sure all components are properly assembled and installed using the instructions provided.



WARNING: Failure to provide adequate structural strength for this component can result in serious personal injury or damage to equipment! It is the installer's responsibility to make sure the structure to which this component is attached can support five times the combined weight of all equipment. Reinforce the structure as required before installing the component.



WARNING: Exceeding the weight capacity can result in serious personal injury or damage to equipment! It is the installer's responsibility to make sure the combined weight of all components attached to the RSME does not exceed 25 lbs (11.34 kg).

- The weight capacity of the RSME may be LIMITED to the lowest weight capacity of any other components located between the RSME and the supporting structure!



WARNING: Use this mounting system only for its intended use as described in these instructions. Do not use attachments not recommended by the manufacturer.



WARNING: Never operate this mounting system if it is damaged. Return the mounting system to a service center for examination and repair.



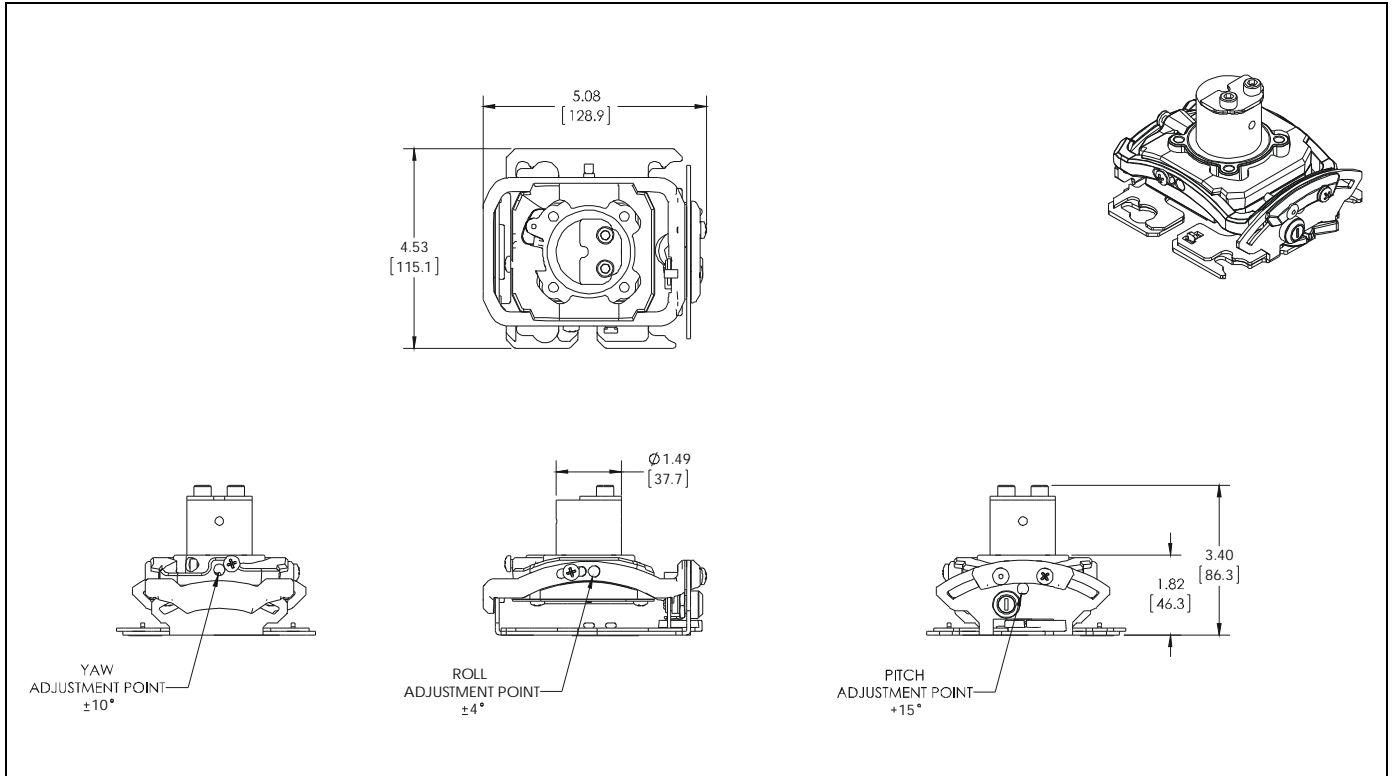
WARNING: Do not use this product outdoors.

IMPORTANT ! : The RSME mounts are designed to be:

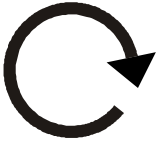

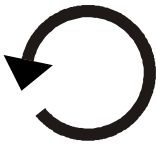









- mounted to a 1-1/2" NPT or NPSM steel or aluminum threaded extension column rated for 50 lbs or greater (not included); or
- mounted to double 2" x 4" wood stud cross bracing (1-1/2" on center) between two 2" x 4" ceiling joists; with a maximum drywall covering of 5/8".
- mounted to a concrete ceiling with a minimum thickness of 8" and a maximum drywall covering of 5/8"; or
- suspended from four steel #10-24 threaded rods (not included) which are secured to a 1-5/8" x 1-5/8" 12ga metal framing strut channel (spanning a maximum of 4 feet--not included) by #10-24 channel nuts (not included).

--SAVE THESE INSTRUCTIONS--



DIMENSIONS



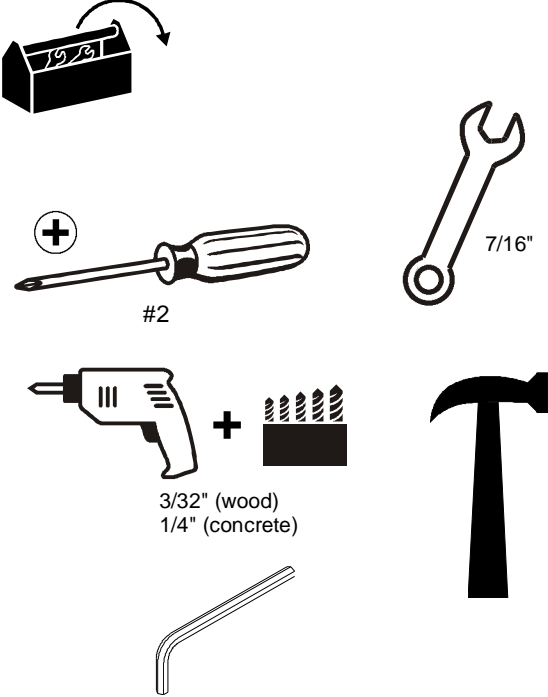
LEGEND

	Tighten Fastener Serrez les fixations Serrare il fissaggio Befestigungsteil festziehen Apretar elemento de fijación Bevestiging vastdraaien Apertar fixador		Pencil Mark Marquage au crayon Segno a matita Stiftmarkierung Marcar con lápiz Potloodmerkteken Marcar com lápis
	Loosen Fastener Desserrez les fixations Allentare il fissaggio Befestigungsteil lösen Aflojar elemento de fijación Bevestiging losdraaien Desapertar fixador		Drill Hole Percez un trou Praticare un foro Bohrloch Perforar Gat boren Fazer furo
	Phillips Screwdriver Tournevis à pointe cruciforme Cacciavite a stella Kreuzschlitzschraubendreher Destornillador Phillips Kruiskopschroevendraaier Chave de fendas Phillips		Adjust Ajuster Regolare Einstellen Ajustar Afstellen Ajustar
	Hex-Head Wrench Clé à tête hexagonale Chiave esagonale Sechskantschlüssel Llave de cabeza hexagonal Zeskantsleutel Chave de cabeça sextavada		Remove Retirez Rimuovere Entfernen Quitar Verwijderen Remover
	Open-Ended Wrench Clé à fourche Chiave a punte aperte Gabelschlüssel Llave de boca Steeksleutel Chave de bocas		Optional En option Opzionale Optional Opcional Optie Opcional
	By Hand À la main A mano Von Hand A mano Met de hand Com a mão		Security Wrench Clé de sécurité Chiave di sicurezza Sicherheitsschlüssel Llave de seguridad Veiligheidsleutel Chave de segurança

LEGEND

	Hammer		Target of Projector
	Martillo		Punto de enfoque del proyector
	Hammer		Ziel des Projektors
	Martelo		Mira do projector
	Martello		Punto di proiezione
	Hamer		Doel van de projector
	Marteau		Cible du projecteur

TOOLS/HARDWARE REQUIRED FOR INSTALLATION



#2


7/16"

3/32" (wood)
1/4" (concrete)

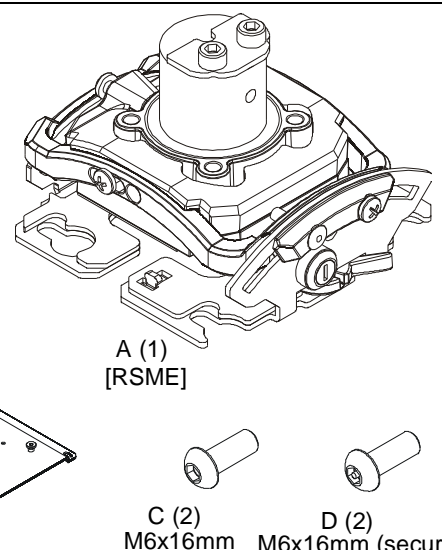
Hardware required - not included
(dependent on installation method)

- Install to threaded extension column
 - 1-1/2" NPT or NPSM steel or aluminum threaded extension column rated for 50 lbs or greater
- Install to wood ceiling joists
 - #10 x 3" Phillips head wood screws (Qty. 4)
 - #10 washers (Qty. 4)
- Install to concrete
 - 3/8" x 2-1/4" Grade 2 concrete anchors (Qty. 4)
 - #10 washers (Qty. 4)
 - #10 x 3" Phillips head wood screws (Qty. 4)
- Install to threaded rod
 - #10-24 steel threaded rods (Qty. 4)
 - #10-24 channel nuts (Qty. 4)
 - #10-24 jam nuts (Qty. 8)
 - #10 washers (Qty. 8)

PARTS



Example Only
(Interface bracket varies dependent on projector model)



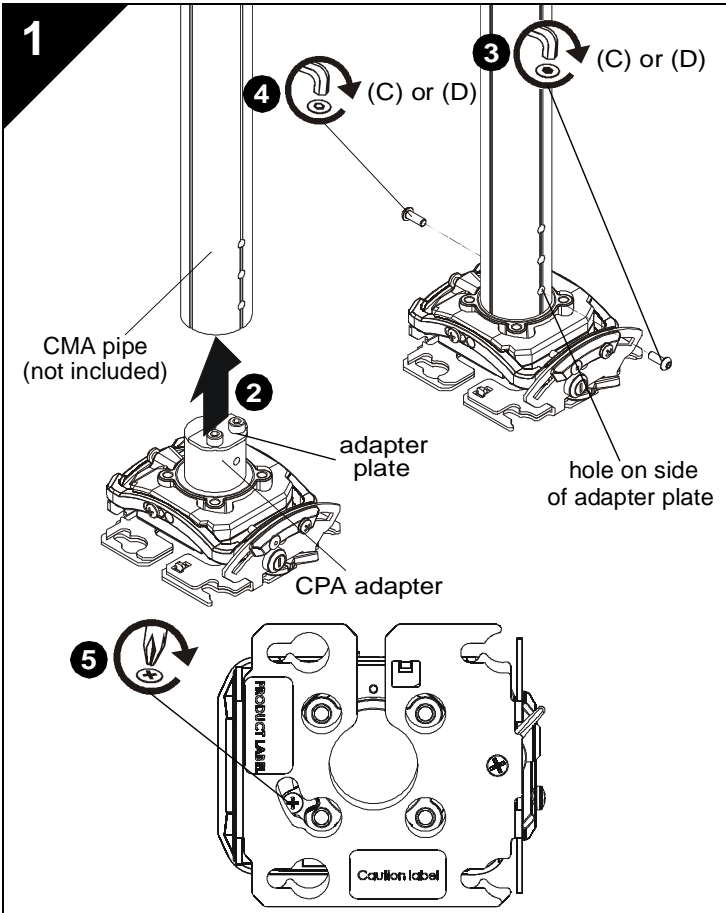
A (1)
[RSME]

B (1)

C (2)
M6x16mm

D (2)
M6x16mm (security)

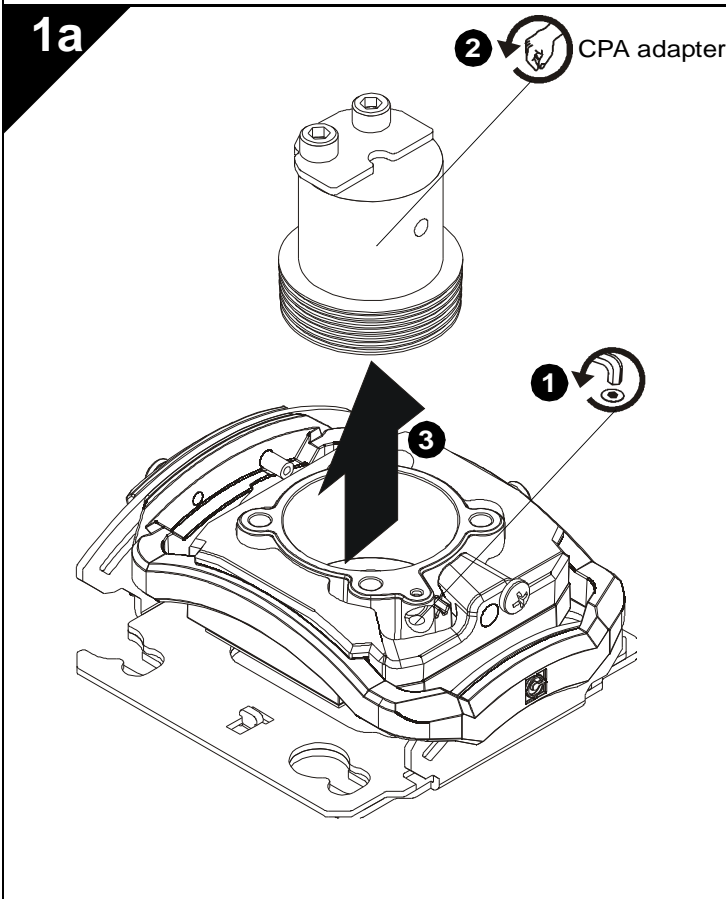
All-Points Security Kit (Optional)



RSME INSTALLATION

CPA Pipe Installation

1. Carefully determine required mounting location. **IMPORTANT !** : This will require knowing the lens to screen distance. See projector specifications for details on determining this distance.
2. Making sure holes are aligned on RSME's CPA adapter and CPA column (not included), lift RSME into bottom opening of CPA column.
3. Install either one M6x16 button head screw (C) or security screw (D) into hole on side of CPA pipe where the adapter plate on CPA adapter is located.
4. On the opposite side of CPA pipe, use the other M6x16 button head screw (C) or security screw (D) to secure RSME (A) to CPA column.
5. Tighten security screw (access from bottom of RSME) using a Phillips screwdriver until set screw cannot be seen through set screw access hole in RSME.
6. Proceed to "Projector Installation" Section.

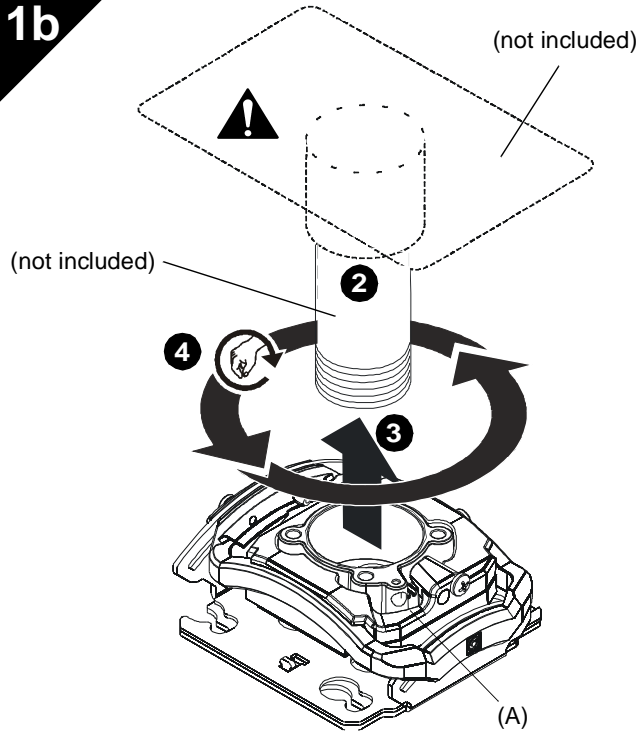


CPA Adapter Removal

NOTE: If installing RSME to anything other than a CPA column, the CPA adapter portion must be removed from RSME mount prior to installation.

1. Loosen set screw holding CPA adapter to RSME mount.
2. Turn CPA adapter counter-clockwise until threads are no longer engaged with RSME.
3. Remove CPA adapter from RSME.

1b

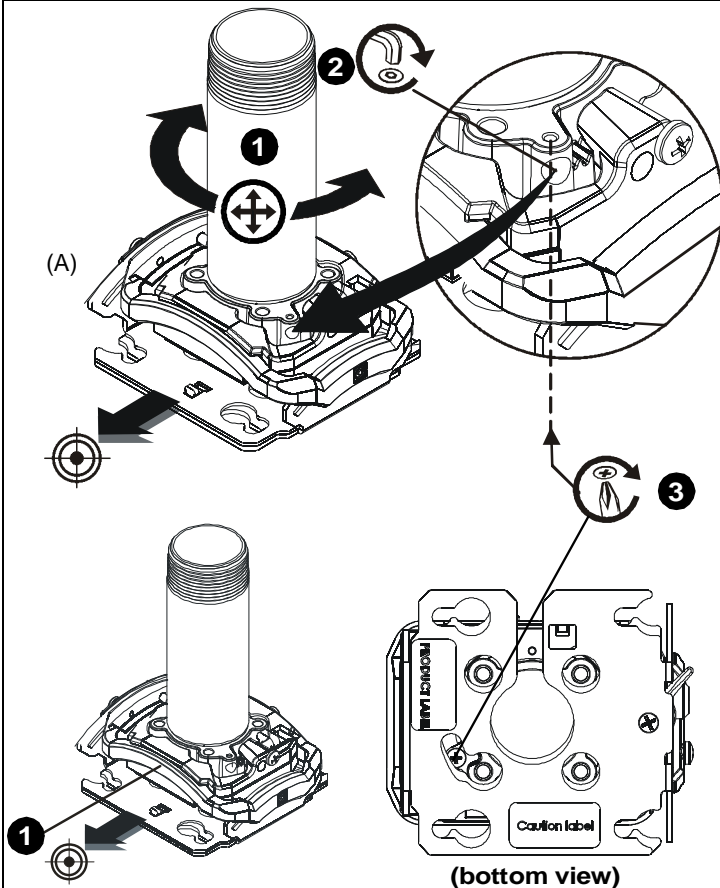


RSME INSTALLATION

Threaded Pipe Installation

NOTE: CPA adapter must be removed prior to installing RSME to threaded pipe. See Section 1a for details.

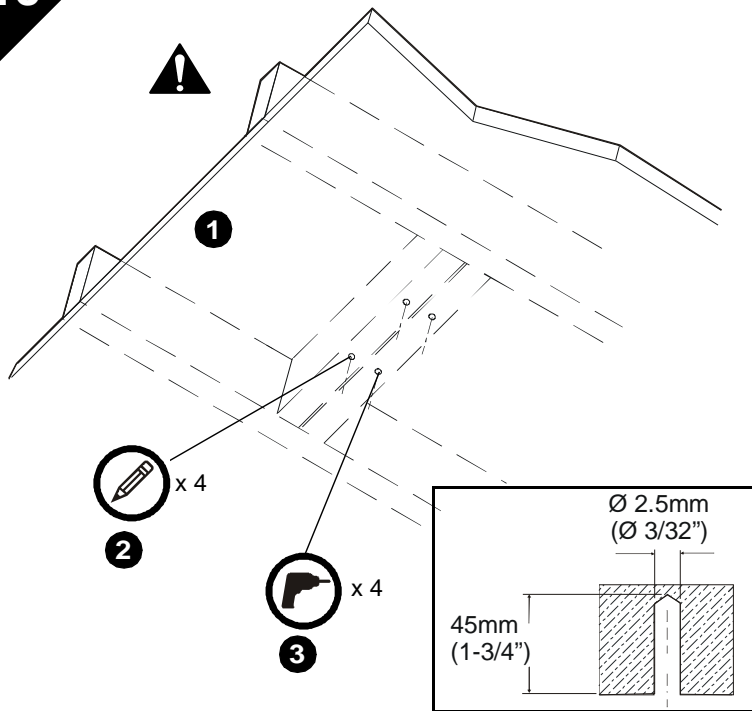
1. Carefully determine required mounting location. **IMPORTANT !** : This will require knowing the lens to screen distance. See projector specifications for details on determining this distance.
 2. Remove CPA adapter from RSME by loosening set screw.
 3. Install 1-1/2" NPT or NPSM steel or aluminum threaded extension column (not included) into threaded collar until tight, with a minimum of four threads engaged.
- ⚠ WARNING:** IMPROPER INSTALLATION CAN RESULT IN SERIOUS PERSONAL INJURY OR DAMAGE TO EQUIPMENT! Structural members **MUST** be capable of supporting five times the combined weight of all equipment being mounted.
4. Align RSME with end of NPT pipe.
 5. Thread RSME up onto pipe by turning until hand tight.



Rough Alignment of RSME

1. Turn RSME clockwise or counter-clockwise until front of mount is facing target.
 2. Secure RSME to pipe by turning set screw until tight.
- ⚠ CAUTION:** DO NOT OVERTIGHTEN!
Overtightening of setscrew can damage threads on pipe.
3. Turn security screw using a Phillips screwdriver until set screw cannot be seen through access hole in RSME.

1c



Wood Stud Installation

NOTE: CPA adapter must be removed prior to installing RSME to wood studs. See Section 1a for details.

1. Carefully determine required mounting location.

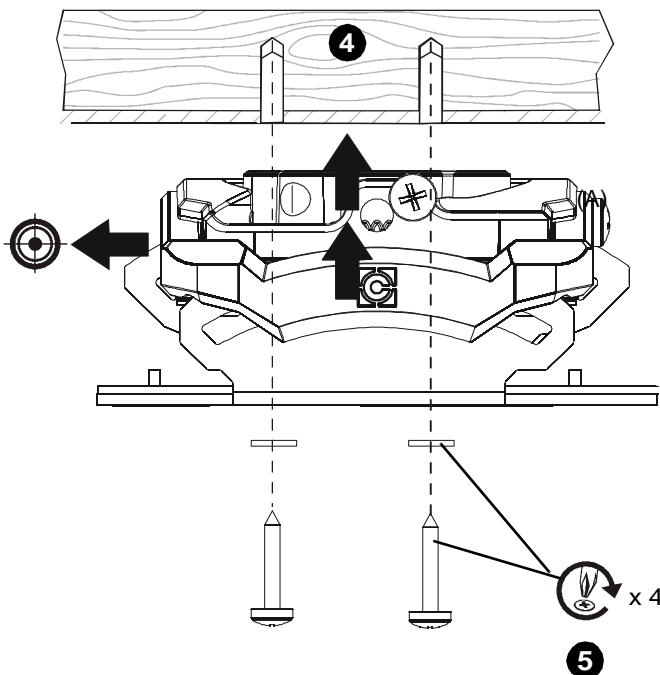
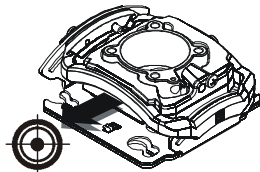
IMPORTANT ! : This will require knowing the lens to screen distance. See projector specifications for details on determining this distance.



WARNING: IMPROPER INSTALLATION CAN RESULT IN SERIOUS PERSONAL INJURY OR DAMAGE TO EQUIPMENT! Structural members **MUST** be capable of supporting five times the combined weight of all equipment being mounted.

IMPORTANT ! : The RSME mounts are designed to be mounted to double 2" x 4" wood stud cross bracing (1-1/2" on center) between two ceiling joists; with a maximum drywall covering of 5/8".

2. Using the RSME as a guide, mark four mounting hole locations with a pencil or similar tool. Hole locations must be centered on 2" x 4" cross braces.



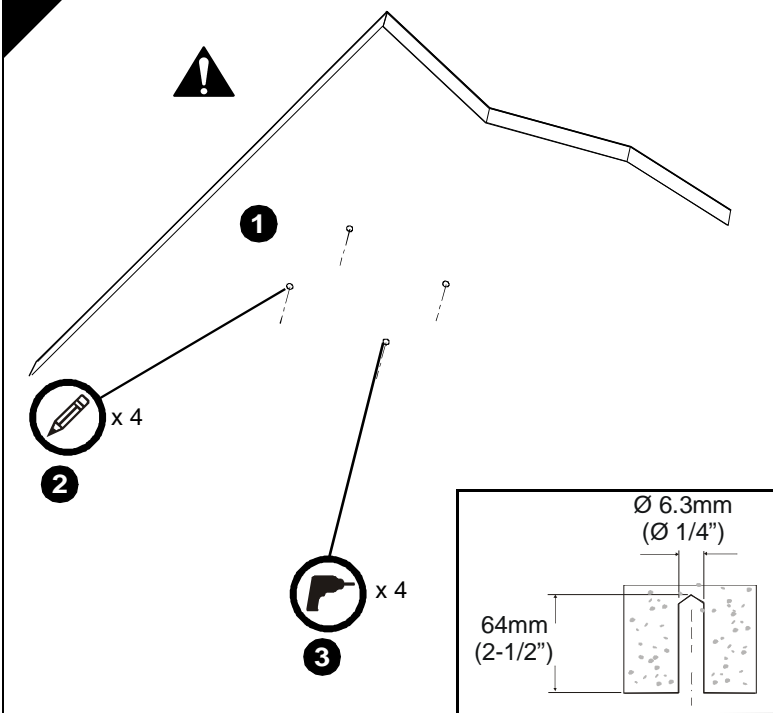
3. Drill four 3/32" (2.5mm) dia. pilot holes to a depth of 1-3/4" (45mm) deep.

4. Align four mounting holes in RSME with four pilot holes.

IMPORTANT ! : Make sure mount is properly oriented towards target before securing to structure.

5. Secure RSME to structure using four #10 flat washers and four #10 x 3" Phillips head wood screws (not included).

1d



Concrete Installation

NOTE: CPA adapter must be removed prior to installing RSME to concrete. See Section 1a for details.

1. Determine mounting location.

WARNING: The RSME is designed to be mounted to a concrete ceiling with a minimum thickness of 8" and a maximum drywall covering of 5/8".

WARNING: IMPROPER INSTALLATION CAN RESULT IN SERIOUS PERSONAL INJURY OR DAMAGE TO EQUIPMENT! Structural members **MUST** be capable of supporting five times the combined weight of all equipment being mounted.

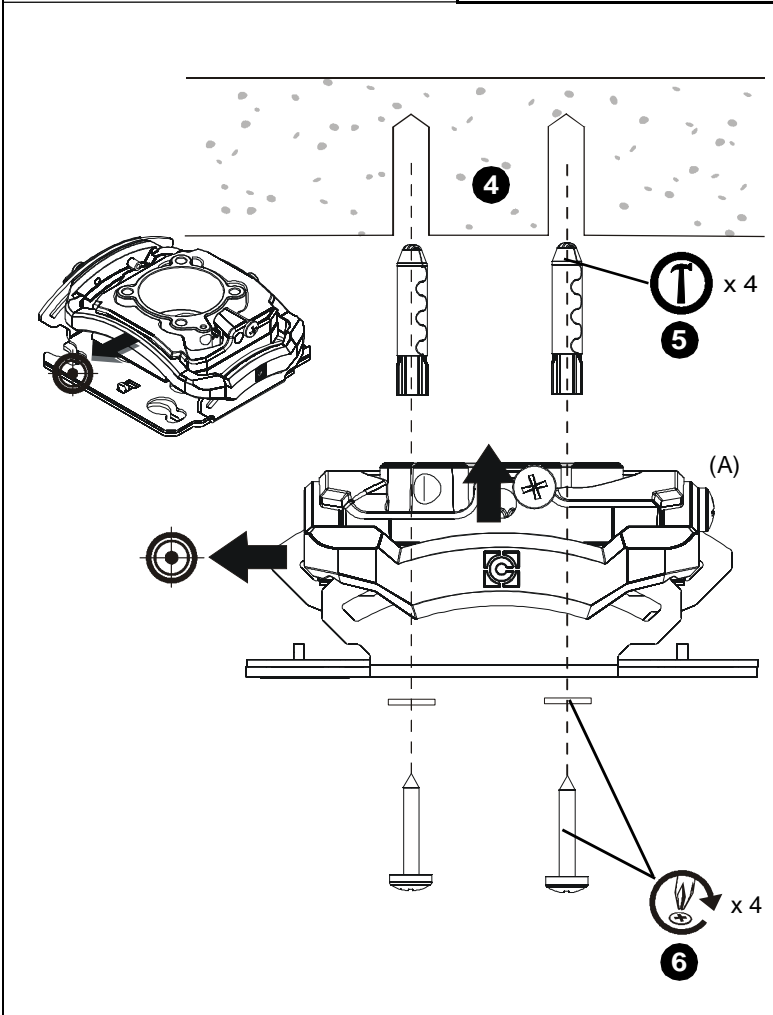
2. Using the RSME as a guide, mark four mounting hole locations on ceiling using a pencil or similar tool.
3. Drill four 1/4" (6.3mm) dia. pilot holes to a depth of 2-1/2" (64mm) deep.

4. Align four mounting holes in RSME with four pilot holes.

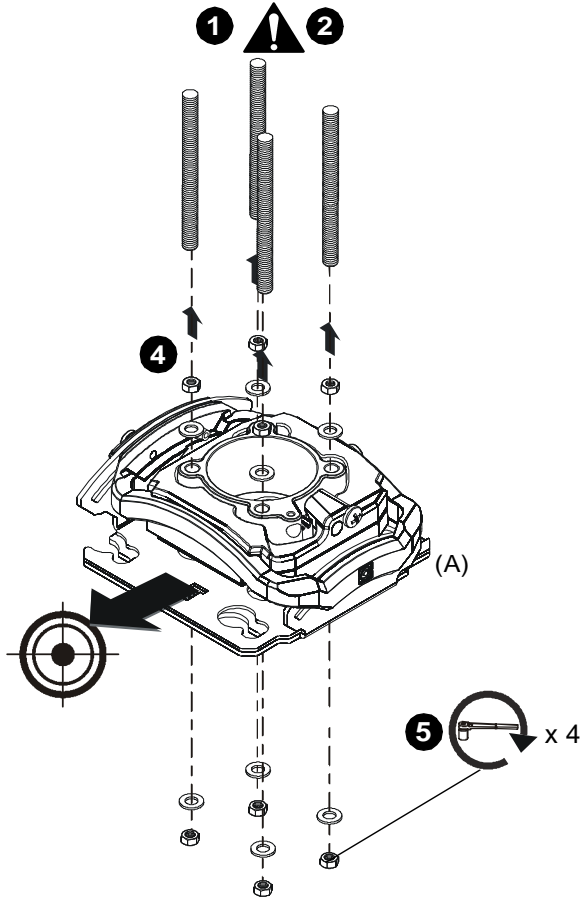
IMPORTANT ! : Make sure mount is properly oriented towards target before securing to structure.

WARNING: Anchors (not provided) must be installed into structurally sound solid concrete. Installation into hollow concrete block, mortar, or concrete that exhibits cracking, spalling, or other defects may result in failure of anchor and serious personal injury or damage to equipment.

5. Install four 3/8" x 2-1/4" concrete anchors (not included) by inserting into pilot holes and pounding in until flush with mounting surface.
6. Secure RSME to structure using four #10 flat washers and four #10 x 3" Phillips head wood screws (not included).



1e



Threaded Rod Installation

NOTE: CPA adapter must be removed prior to installing RSME to threaded rods. See Section 1a for details.

The RSME must be suspended from four #10-24 diameter (minimum) threaded rods (not included) which are secured to unistrut, angle or channel assembly overhead structural members (trusses or I-beams) #10-24 channel nuts (not included).

WARNING: IMPROPER INSTALLATION CAN RESULT IN SERIOUS PERSONAL INJURY OR DAMAGE TO EQUIPMENT! Structural members **MUST** be capable of supporting five times the combined weight of all equipment being mounted.

1. Carefully determine required mount position. **IMPORTANT ! :** This will require knowing the lens to screen distance. See projector specifications for determining this distance.

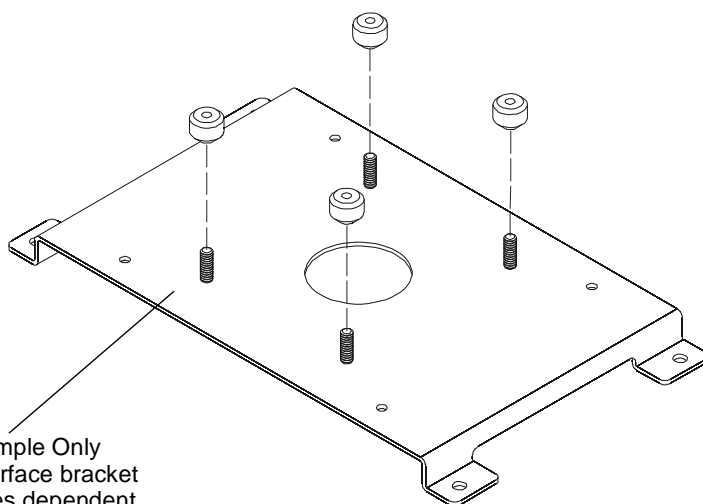
NOTE: Threaded rod and installation hardware not included.

2. Secure one end of the threaded rod to the structural member.
3. Install one #10-24 jam nut (not included) and one #10 washer on each threaded rod.
4. Install the RSME on the threaded rod.

NOTE: Hole in the RSME allows socket wrench access without unit disassembly.

5. Secure the RSME to the threaded rod using four #10-24 nuts (not included) and four #10 washers (not included).

2



Example Only
(Interface bracket varies dependent on projector model)

PROJECTOR INSTALLATION

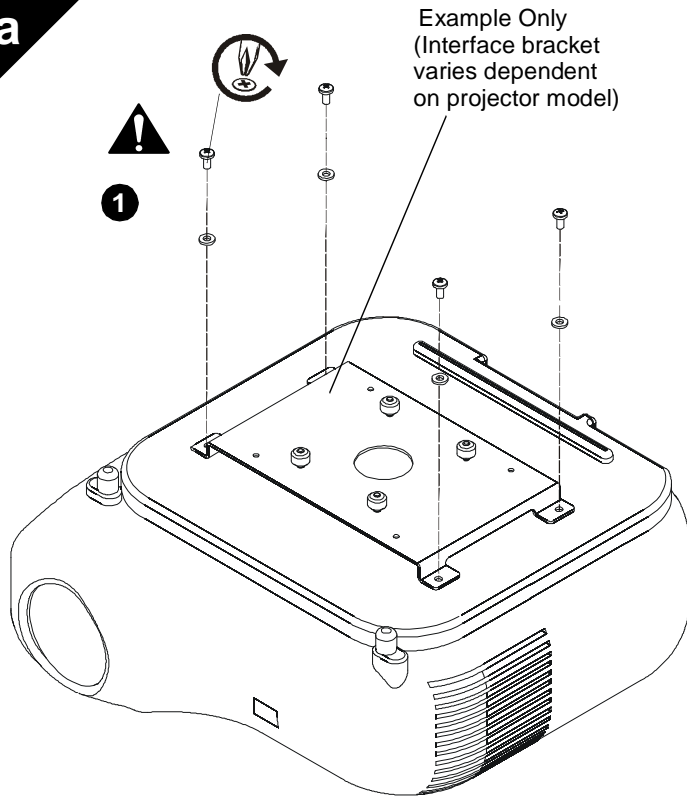
IMPORTANT ! : Model RSME uses optional Chief "SSM" Series interface brackets. (See Parts drawing.)

Install Interface Bracket

1. Partially thread thumb nuts onto Phillips screws until screw end is visible in top of thumb screw.

IMPORTANT ! : DO NOT fully tighten thumb screws at this time.

2a

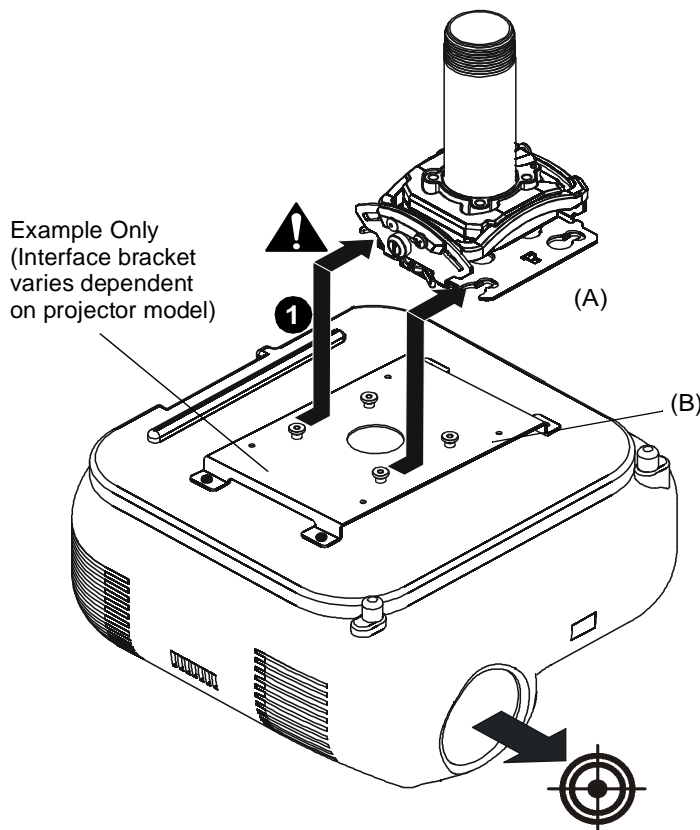


⚠ WARNING: IMPROPER INSTALLATION CAN LEAD TO PROJECTOR FALLING RESULTING IN SERIOUS PERSONAL INJURY OR DAMAGE TO EQUIPMENT. DO NOT substitute hardware. Use only the hardware provided by the manufacturer.

1. Secure interface bracket to mount using installation instructions and hardware provided with interface bracket.

NOTE: Interface brackets can be installed using the optional All-Points Security Kit included with the SSM mounting solutions.

2b



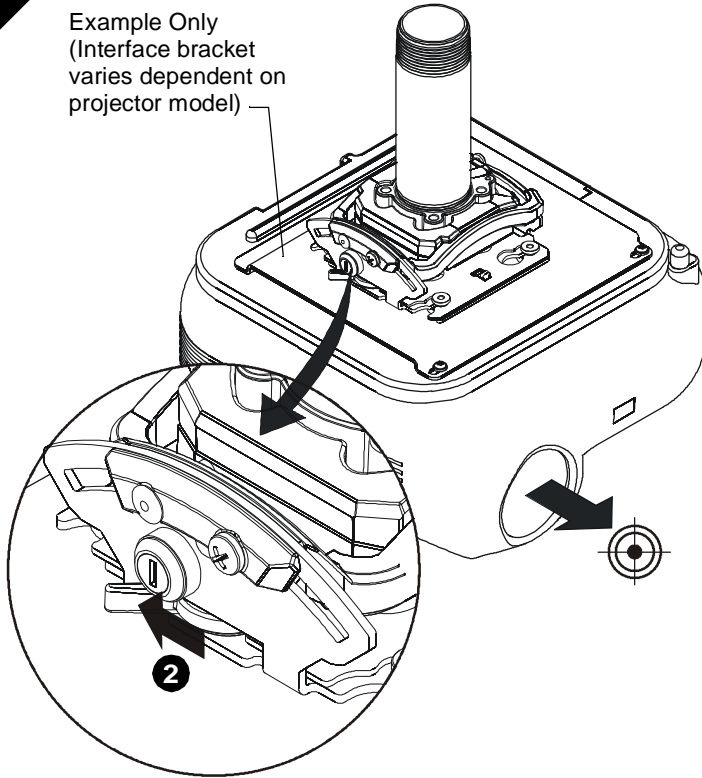
Install Projector With Interface Bracket

1. Orient projector with interface bracket as shown in figure 2b at left.
2. Lift projector so that screws with thumb nuts are aligned with mounting slots in mount base.
3. Slide projector with mounting bracket onto mounting slots in mount base until screws are seated against the back of mounting slots. See figure 2b and 2c.

⚠ WARNING: IMPROPER INSTALLATION CAN LEAD TO PROJECTOR FALLING RESULTING IN SERIOUS PERSONAL INJURY OR DAMAGE TO EQUIPMENT. Make certain mounting slots in mount base slide under thumb screws and that screws are seated in the back of slots.

2c

Example Only
(Interface bracket
varies dependent on
projector model)

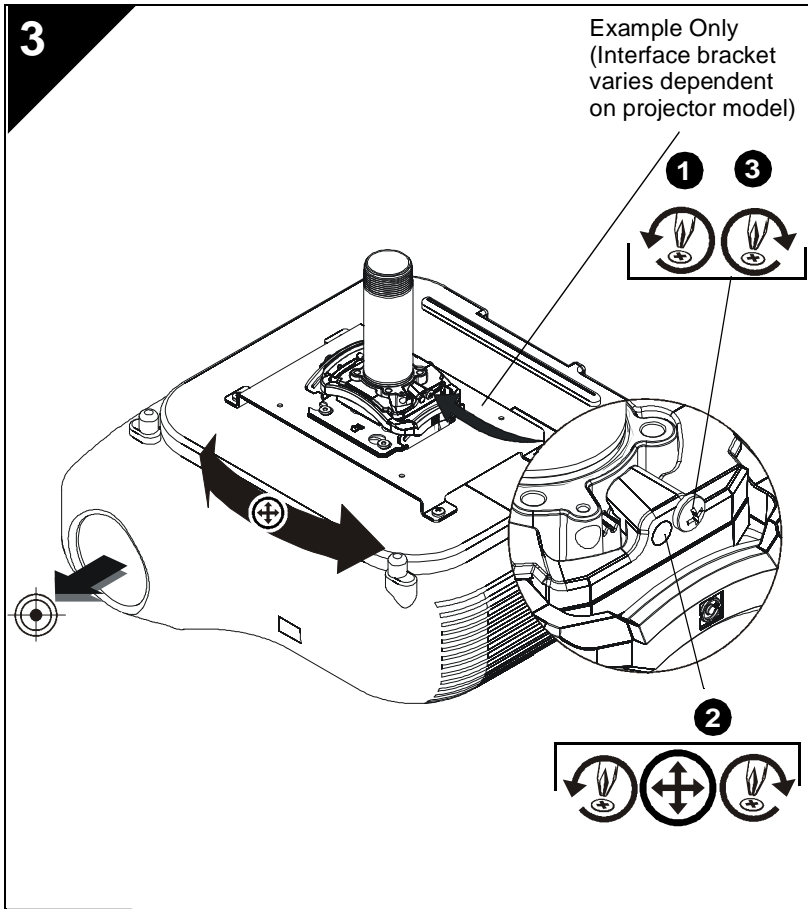


Securing Projector with Interface Bracket to Model RSME Mount



WARNING: IMPROPER INSTALLATION CAN LEAD TO PROJECTOR FALLING RESULTING IN SERIOUS PERSONAL INJURY OR DAMAGE TO EQUIPMENT. Make certain mounting slots in mount base slide under thumb screws and that screws are seated in the back of slots.

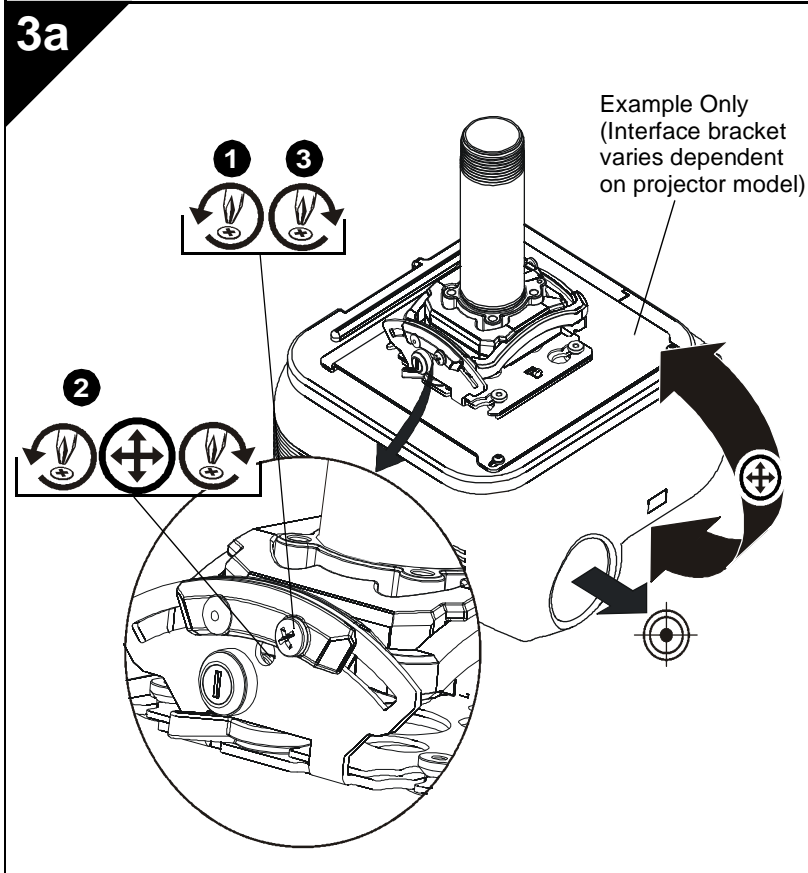
1. Verify mounting screws are properly seated in mounting slots in mount base.
2. Move locking lever to "Locked" position as shown in figure 2c at left.
3. Insert key into lock and turn to secure projector to mount.



ADJUSTMENTS

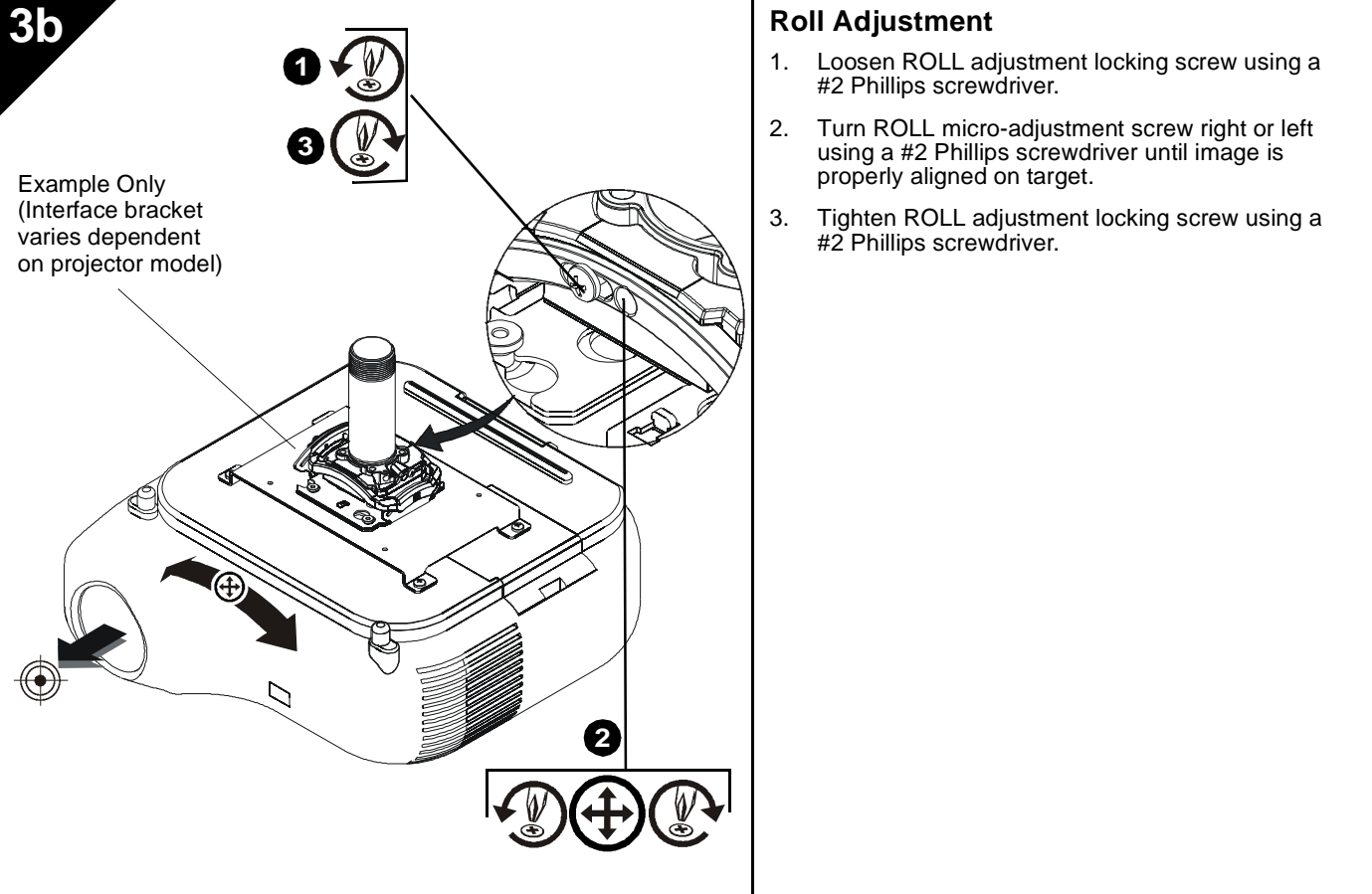
YAW Adjustment

1. Loosen YAW adjustment locking screw using a #2 Phillips screwdriver.
2. Turn YAW micro-adjustment screw right or left using a #2 Phillips screwdriver until image is properly aligned on target.
3. Tighten YAW adjustment locking screw using a #2 Phillips screwdriver.



Pitch Adjustment

1. Loosen PITCH adjustment locking screw using a #2 Phillips screwdriver.
2. Turn PITCH micro-adjustment screw right or left using a #2 Phillips screwdriver until image is properly aligned on target.
3. Tighten PITCH adjustment locking screw using a #2 Phillips screwdriver.



CLAUSES DE NON-RESPONSABILITÉ

Milestone AV Technologies, ses filiales et entreprises affiliées (« Milestone ») ont fait en sorte que ce manuel soit exact et exhaustif. Cependant, Milestone ne garantit pas que les informations mentionnées au présent document couvrent tous les aspects, conditions ou variations dans le détail ; pas plus qu'elle ne fournit de solution pour chaque imprévu lié au type d'installation ou d'utilisation de ce produit. Les informations mentionnées au présent document sont susceptibles d'être modifiées sans aucun préavis ni obligation. Milestone ne consent aucune garantie, expresse ou implicite, au titre des informations contenues dans le présent document. Milestone ne garantit pas que les informations mentionnées au présent document soient exactes, exhaustives et suffisantes.

Chief® est une marque déposée de Milestone AV Technologies. Tous droits réservés.

DIRECTIVES DE SÉCURITÉ IMPORTANTES



AVERTISSEMENT : Un AVERTISSEMENT vous indique qu'il existe un risque de blessures graves ou de décès si vous ne suivez pas les instructions.



MISE EN GARDE : Une MISE EN GARDE vous indique qu'il existe un risque de dommages ou de destruction du matériel si vous ne suivez pas les instructions correspondantes.



AVERTISSEMENT : Le fait de ne pas lire, de ne pas bien comprendre et de ne pas suivre toutes les instructions peut entraîner des blessures corporelles graves, endommager l'équipement ou annuler la garantie du fabricant ! Il est de la responsabilité de l'installateur de s'assurer que tous les composants sont correctement montés et installés conformément aux instructions fournies.



AVERTISSEMENT : Une résistance structurelle non appropriée pour ce composant peut entraîner des blessures corporelles graves ou endommager l'équipement ! Il est de la responsabilité de l'installateur de s'assurer que la structure à laquelle ce composant est attaché peut supporter cinq fois le poids total de l'équipement. Si nécessaire, renforcez la structure avant d'installer cet élément.



AVERTISSEMENT : Le dépassement de capacité de poids peut causer de graves blessures corporelles ou endommager le matériel ! Il est de la responsabilité de l'installateur de s'assurer que le poids total de tous les composants fixés au RSME ne dépasse pas 11,34 kg (25 lbs).

- La capacité de poids du RSME peut être LIMITÉE à la capacité de poids la plus basse de tout autre élément situé entre le RSME et la structure de support !



AVERTISSEMENT : N'utiliser ce système de montage que pour l'usage prévu conformément à ces directives. Ne pas utiliser d'accessoires non recommandés par le fabricant.



AVERTISSEMENT : Ne jamais faire fonctionner ce système de montage s'il est endommagé. Dans ce cas, renvoyer le système à un service technique pour examen et réparation.



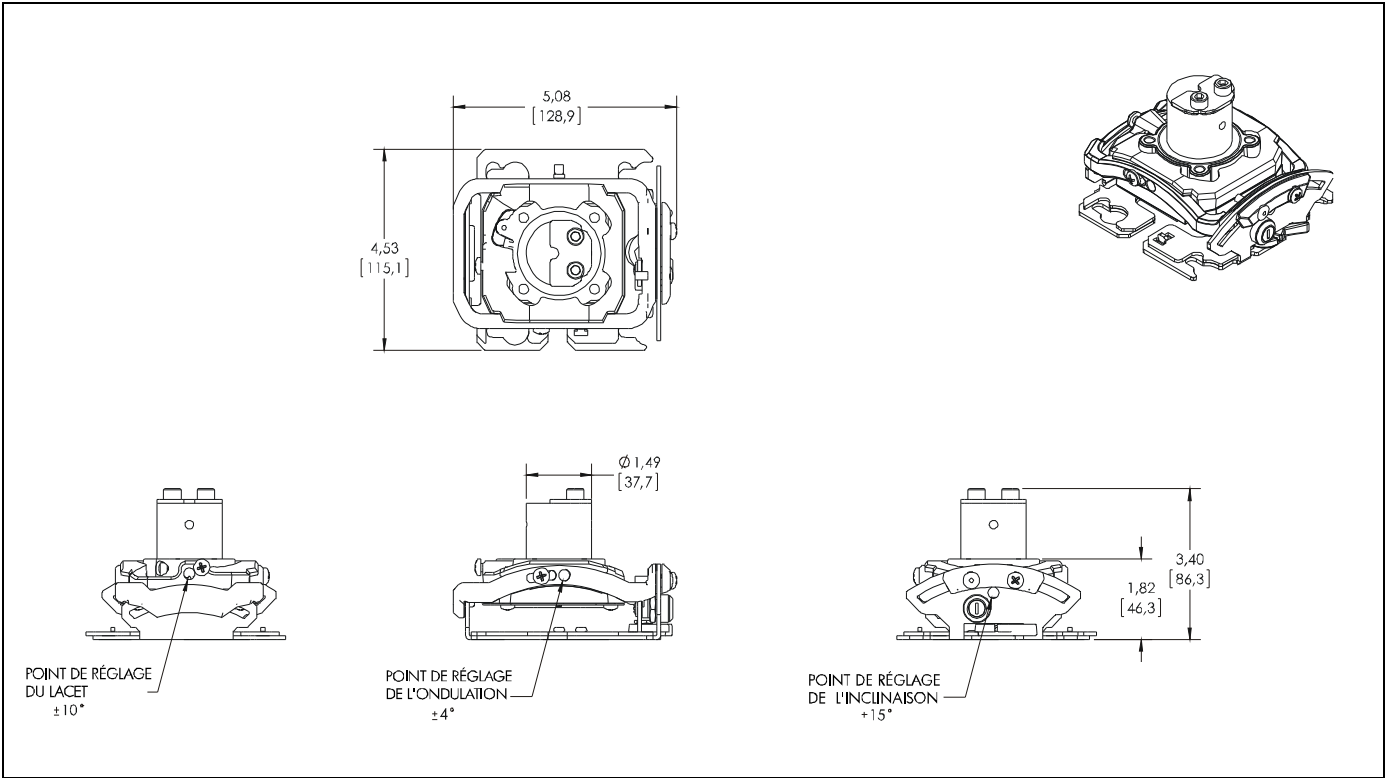
AVERTISSEMENT : Ne pas utiliser ce produit à l'extérieur.

IMPORTANT ! : Ces supports RSME sont conçus pour être :

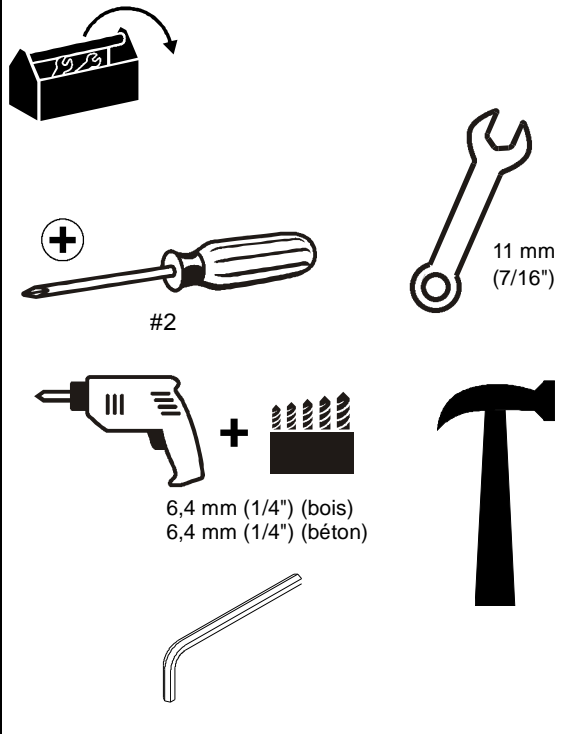
- fixés à une colonne d'extension fileté en aluminium ou en acier NPT ou NPSM 1-1/2" pouvant supporter 22,7 kg (50 lbs) ou plus (non inclus) ; ou
- fixés à des contreventements transversaux de montants en bois de 51 mm x 102 mm (2" x 4") (38,1 mm / 1-1/2" au centre) entre deux solives de plafond de 51 mm x 102 mm (2" x 4") avec un revêtement de cloison sèche d'épaisseur maximale de 16 mm (5/8").
- fixés à un plafond en béton d'une épaisseur minimum de 203 mm (8") et avec un minimum de cloison sèche recouvrant 16 mm (5/8") ; ou
- suspendus à l'aide de quatre tiges filetées #10-24 (non incluses) arrimées à un profilé métallique 12 Ga de 1-5/8" x 1-5/8" (d'une longueur de 121,92 cm maximum -- non inclus) par des écrous profilés en acier #10-24 (non inclus).

--RANGER CES CONSIGNES EN LIEU SÛR--

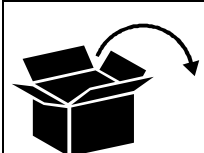
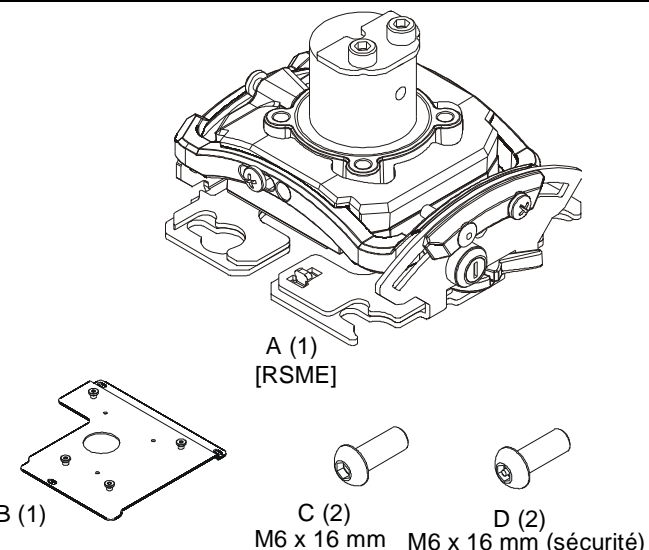
DIMENSIONS

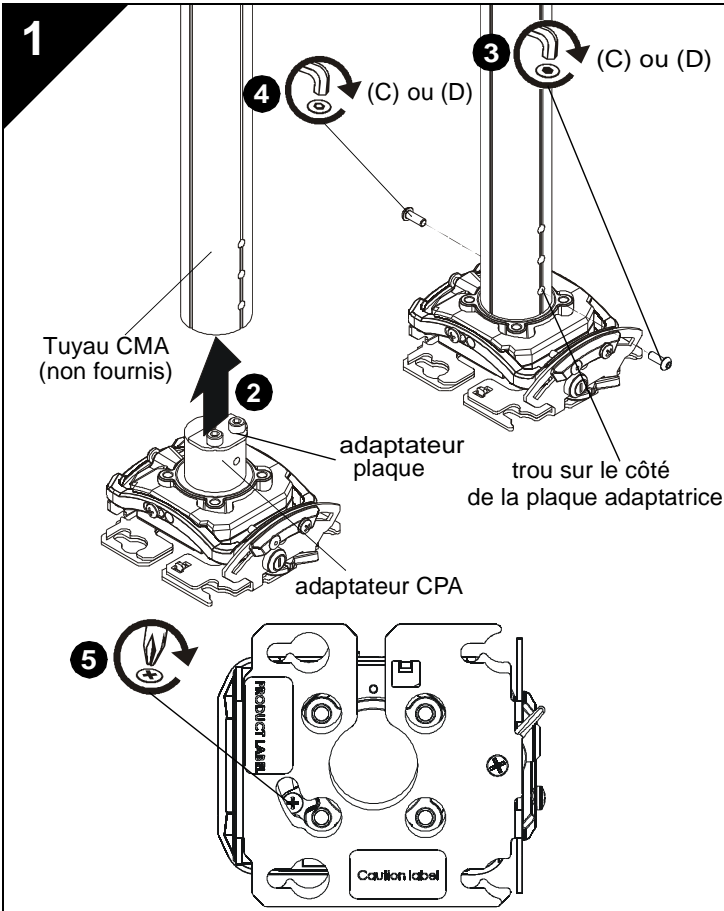


OUTILS/MATÉRIEL NÉCESSAIRES À L'INSTALLATION

 <p>#2</p> <p>11 mm (7/16")</p> <p>6,4 mm (1/4") (bois) 6,4 mm (1/4") (béton)</p>	<p>Matériel requis - non inclus</p> <p>(en fonction de la méthode d'installation)</p> <ol style="list-style-type: none"> Installation sur une colonne d'extension filetée <ul style="list-style-type: none"> Colonne d'extension filetée en aluminium ou en acier NPT ou NPSM 1-1/2" pouvant supporter 22,7 kg ou plus Installation sur des solives de plafond en bois <ul style="list-style-type: none"> Vis à bois à tête Phillips #10 x 3" (Qté 4) Rondelles #10 (Qté 4) Installation sur une surface en béton <ul style="list-style-type: none"> Brides d'ancrage de 3/8" x 2-1/4" de qualité 2 (Qté 4) Rondelles #10 (Qté 4) Vis à bois à tête #10 x 3" (Qté 4) Installation sur des tiges filetées <ul style="list-style-type: none"> Tiges filetées en acier #10-24 (Qté 4) Écrous crénelés #10-24 (Qté 4) Contre-écrous #10-24 (Qté 8) Rondelles #10 (Qté 8)
--	---

PIÈCES

 <p>A titre d'exemple (la patte de fixation d'interface varie en fonction du modèle de projecteur)</p>	 <p>A (1) [RSME]</p> <p>B (1)</p> <p>C (2) M6 x 16 mm</p> <p>D (2) M6 x 16 mm (sécurité)</p>	<div style="border: 1px solid black; padding: 5px; display: inline-block;"> <p>Kit de sécurité All-Point</p> </div> <p>(en option)</p>
---	--	--



INSTALLATION du RSME

Installation du tuyau CPA

1. Choisissez soigneusement l'emplacement de fixation souhaité.

IMPORTANT ! : Cela impliquera de connaître la distance entre la lentille et l'écran. Voir les caractéristiques du projecteur pour plus de détails sur la manière de déterminer cette distance.

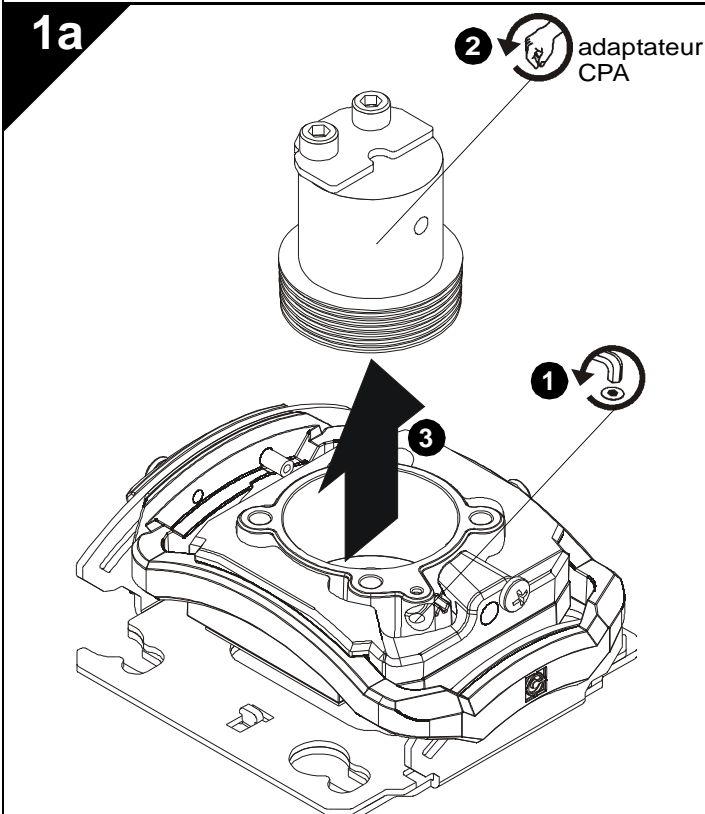
2. En vous assurant que les trous sont alignés sur l'adaptateur CPA du RSME et la colonne CPA (non incluse), soulevez le RSME jusqu'à l'ouverture en bas de la colonne CPA.

3. Installez une vis à tête bouton M6 x 16 (C) ou une vis de sécurité (D) dans le trou sur le côté du tuyau CPA, où la plaque adaptatrice de l'adaptateur CPA est située.

4. Sur le côté opposé du tuyau CPA, utilisez l'autre vis à tête bouton M6 x 16 (C) ou l'autre vis de sécurité (D) pour fixer le RSME (A) à la colonne CPA.

5. Serrez la vis de sécurité (accès depuis le bas du RSME) en utilisant un tournevis Phillips jusqu'à ce que la vis d'arrêt ne soit plus visible par le trou d'accès de la vis d'arrêt dans le RSME.

6. Passez à la section « Installation du projecteur ».



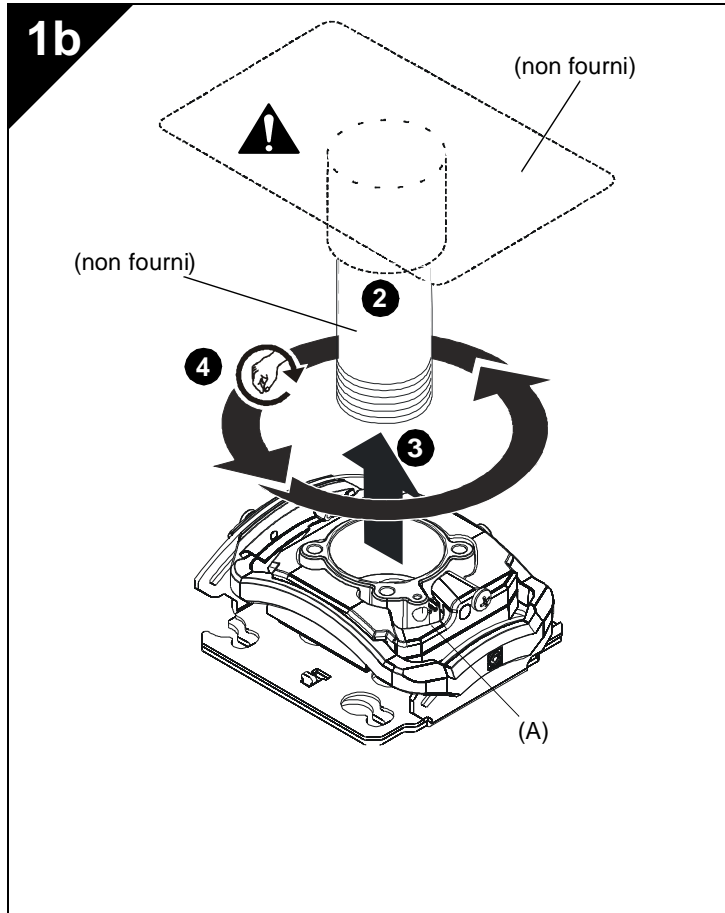
Retrait de l'adaptateur CPA

REMARQUE : Si vous installez le RSME à autre chose qu'une colonne CPA, la pièce d'adaptation CPA doit être retirée du support RSME avant l'installation.

1. Desserrez la vis d'arrêt maintenant l'adaptateur CAP au support RSME.

2. Tournez l'adaptateur CPA dans le sens contraire des aiguilles d'une montre jusqu'à ce que le filetage ne soit plus engagé dans le RSME.

3. Retirez l'adaptateur CPA du RSME.



INSTALLATION DU RSME

Installation sur un tuyau fileté

REMARQUE : L'adaptateur CPA doit être retiré avant d'installer le RSME sur le tuyau fileté. Reportez-vous à la section 1a pour plus de détails.

1. Choisissez soigneusement l'emplacement de fixation souhaité.

IMPORTANT ! : Cela impliquera de connaître la distance entre la lentille et l'écran. Voir les caractéristiques du projecteur pour plus de détails sur la manière de déterminer cette distance.

2. Retirez l'adaptateur CPA du RSME en desserrant la vis d'arrêt.

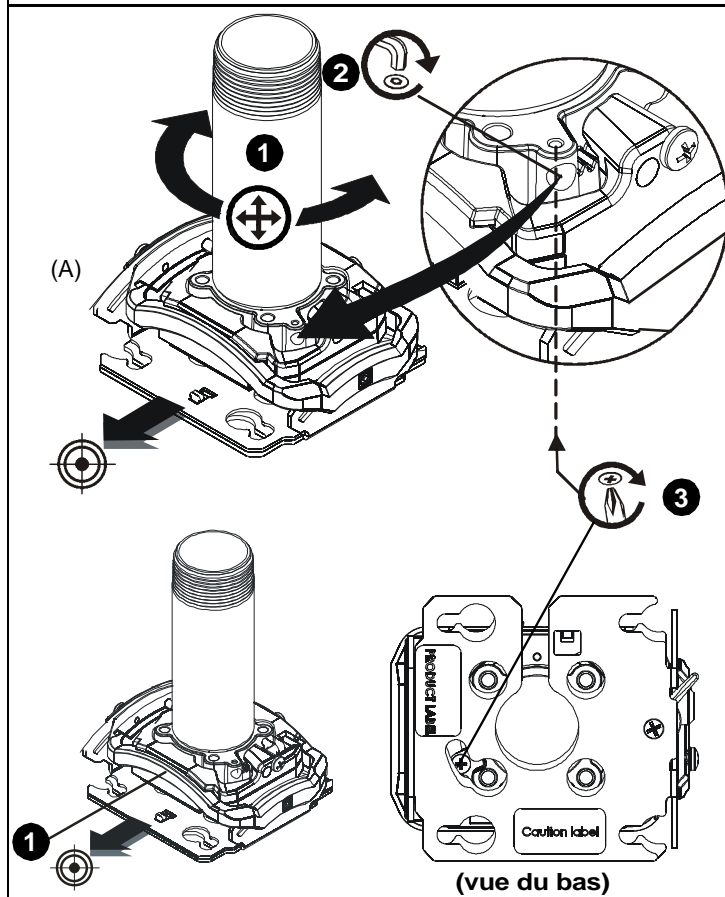
3. Installez une colonne d'extension en aluminium ou en acier NPT ou NPSM de 1-1/2" (non incluse) dans le collier fileté jusqu'à ce qu'elle soit bien serrée, avec un minimum de quatre filetages engagés.



AVERTISSEMENT : UNE MAUVAISE INSTALLATION PEUT ENTRAÎNER DES BLESSURES CORPORELLES GRAVES ! Les éléments structurels DOIVENT être capables de supporter cinq fois le poids total de l'équipement monté.

4. Alignez le RSME avec l'extrémité du tuyau NPT.

5. Vissez le RSME au tuyau en tournant jusqu'à ce



Alignement approximatif du RSME

1. Tournez le RSME dans le sens des aiguilles d'une montre ou dans le sens contraire des aiguilles d'une montre, jusqu'à ce que l'avant du support se situe face à la cible.

2. Fixez le RSME au tuyau en tournant la vis d'arrêt jusqu'à ce qu'elle soit bien serrée.

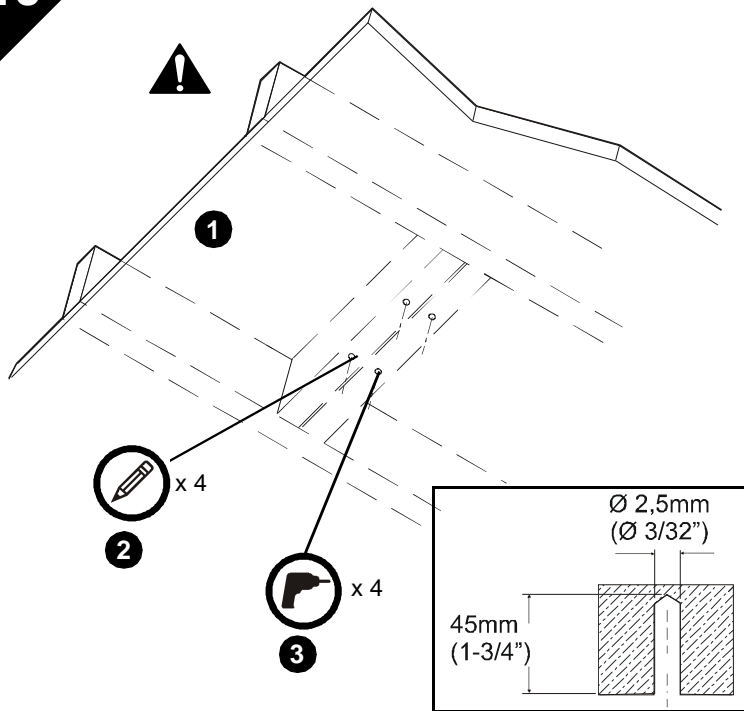


MISE EN GARDE : NE PAS TROP SERRER !

Un serrage excessif de la vis d'arrêt peut endommager le filetage du tuyau.

3. Tournez la vis de sécurité en utilisant un tournevis Phillips jusqu'à ce que la vis d'arrêt ne soit plus visible par le trou d'accès dans le RSME.

1c



Installation sur montants en bois

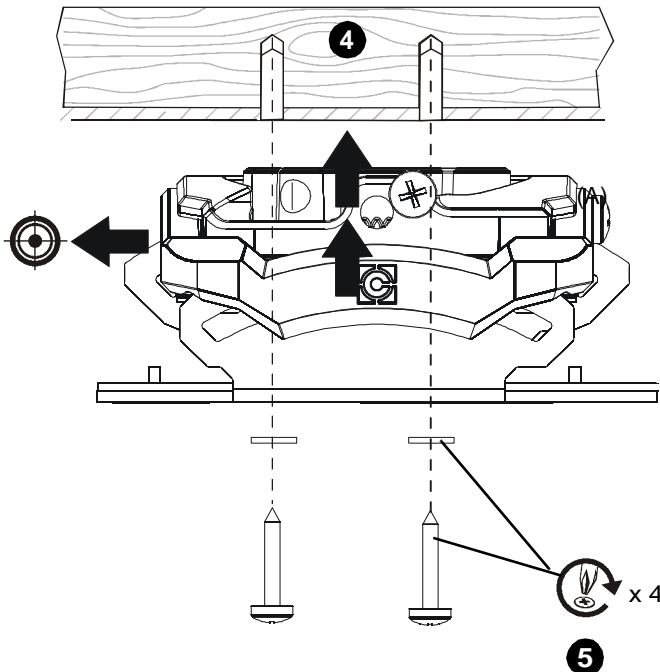
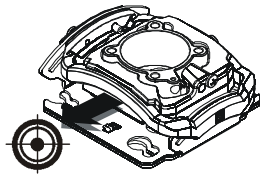
REMARQUE : L'adaptateur CPA doit être retiré avant d'installer le RSME sur des montants en bois. Reportez-vous à la section 1a pour plus de détails.

1. Choisissez soigneusement l'emplacement de fixation souhaité.

IMPORTANT ! : Cela impliquera de connaître la distance entre la lentille et l'écran. Voir les caractéristiques du projecteur pour plus de détails sur la manière de déterminer cette distance.

AVERTISSEMENT : UNE MAUVAISE INSTALLATION PEUT ENTRAÎNER DES BLESSURES CORPORELLES GRAVES ! Les éléments structurels DOIVENT être capables de supporter cinq fois le poids total de l'équipement monté.

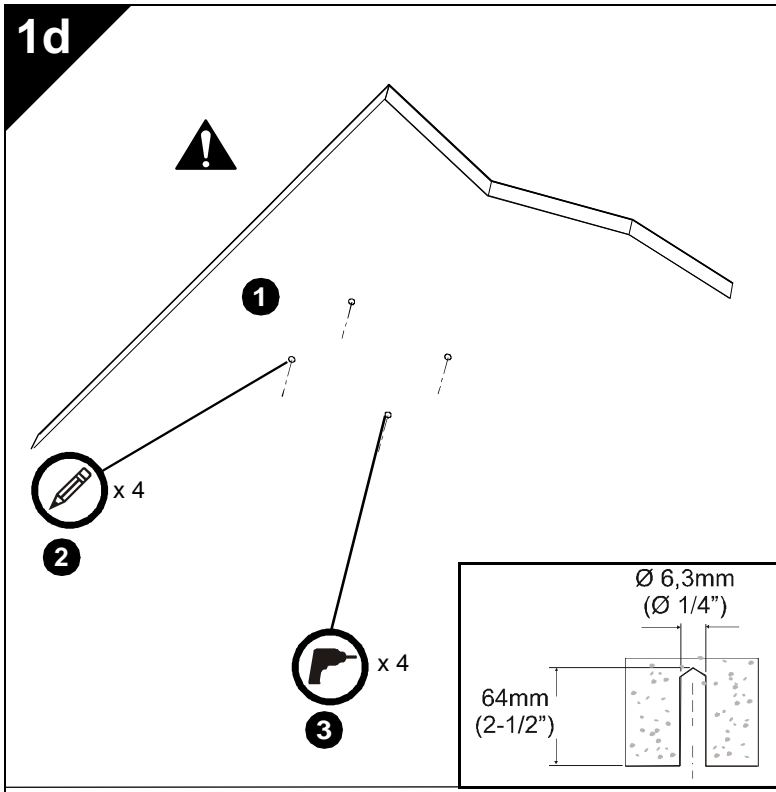
IMPORTANT ! : Les supports RSME sont conçus pour être montés sur des contreventements transversaux de montants en bois de 51 mm x 102 mm (2" x 4") (38,1 mm / 1-1/2" au centre) entre deux solives de plafond avec un revêtement de cloison sèche d'épaisseur maximale de 16 mm (5/8").



2. En utilisant le RSME comme guide, marquez les quatre emplacements des trous de montage à l'aide d'un crayon ou d'un outil similaire. Les emplacements des trous doivent être centrés sur les contreventements transversaux de 51 mm x 102 mm (2" x 4").
3. Percez quatre trous de guidage de 2,5 mm (3/32") de diamètre à une profondeur de 45 mm (1-3/4").
4. Alignez les quatre trous de montage dans le RSME avec les quatre trous de guidage.

IMPORTANT ! : Assurez-vous que le support est correctement orienté vers la cible avant de fixer la structure.

5. Fixez le RSME à la structure en utilisant quatre rondelles plates #10 et quatre vis à bois à tête Phillips #10 x 3" (non incluses).



Installation sur béton

REMARQUE : L'adaptateur CPA doit être retiré avant d'installer le RPE sur du béton. Reportez-vous à la section 1a pour plus de détails.

1. Déterminez l'emplacement de montage.

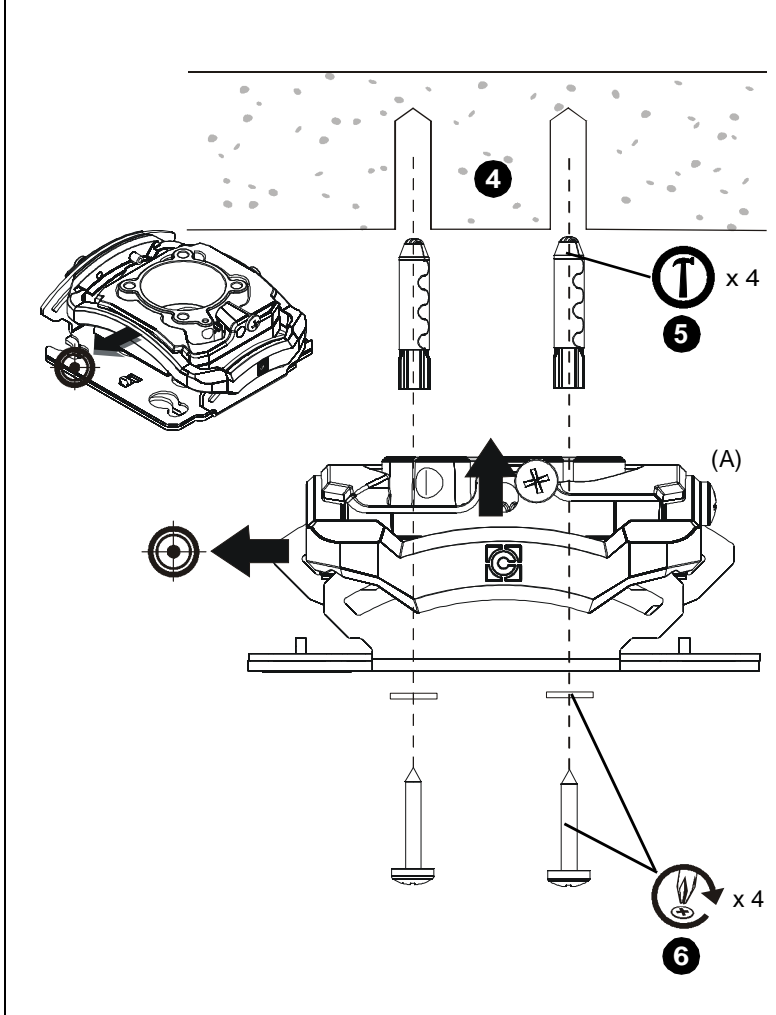


AVERTISSEMENT : Le RSME est conçu pour être monté sur un plafond en béton d'une épaisseur minimum de 203 mm (8") et avec un revêtement de cloison sèche d'épaisseur maximale de 16 mm (5/8").



AVERTISSEMENT : UNE MAUVAISE INSTALLATION PEUT ENTRAÎNER DES BLESSURES CORPORELLES GRAVES ! Les éléments structurels DOIVENT être capables de supporter cinq fois le poids total de l'équipement monté.

2. En utilisant le RSME comme guide, marquez les quatre emplacements des trous de montage sur le plafond à l'aide d'un crayon ou d'un outil similaire.
3. Percez quatre trous de guidage de 6,3 mm (1/4") de diamètre à une profondeur de 64 mm (2-1/2").



4. Alignez les quatre trous de montage dans le RSME avec les quatre trous de guidage.

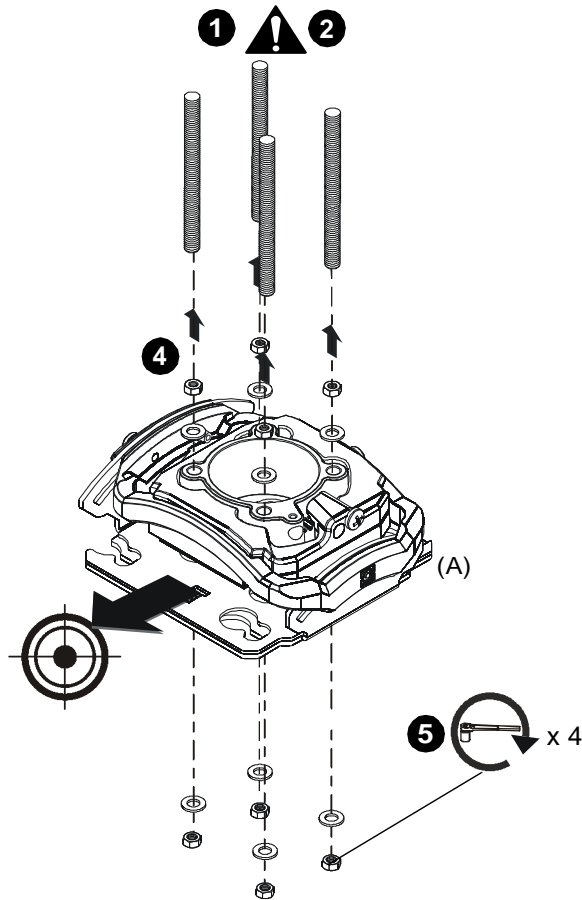
IMPORTANT ! : Assurez-vous que le support est correctement orienté vers la cible avant de fixer la structure.



AVERTISSEMENT : Les vis d'ancrage (non fournies) doivent être installées dans du béton solide, structurellement homogène. Toute installation dans un bloc de béton creux ou dans du béton présentant des fissures, un effritement ou tout autre défaut peut entraîner la chute du dispositif d'ancrage et provoquer de graves blessures corporelles ou endommager le matériel.

5. Installez quatre brides d'ancrage pour béton de 3/8" x 2-1/4" (non incluses) en les insérant dans les trous de guidage et en les martelant jusqu'à affleurer la surface de montage.
6. Fixez le RSME à la structure en utilisant quatre rondelles plates #10 et quatre vis à bois à tête Phillips #10 x 3" (non incluses).

1e



Installation sur tiges filetées

REMARQUE : L'adaptateur CPA doit être retiré avant d'installer le RPE sur les tiges filetées. Reportez-vous à la section 1a pour plus de détails.

Le RSME doit être suspendu à l'aide de quatre tiges filetées (non incluses) #10-24 de diamètre (minimum), qui sont fixées à des membres structurels en hauteur d'assemblage de canal, d'angle ou Unistrut (fermes ou poutrelles) par des contre-écrous #10-24 (non inclus).



AVERTISSEMENT : UNE MAUVAISE INSTALLATION PEUT ENTRAÎNER DES BLESSURES CORPORELLES GRAVES ! Les éléments structurels DOIVENT être capables de supporter cinq fois le poids total de l'équipement monté.

1. Choisissez soigneusement la position de fixation souhaitée.

IMPORTANT ! : Cela impliquera de connaître la distance entre la lentille et l'écran. Voir les caractéristiques du projecteur pour déterminer cette distance.

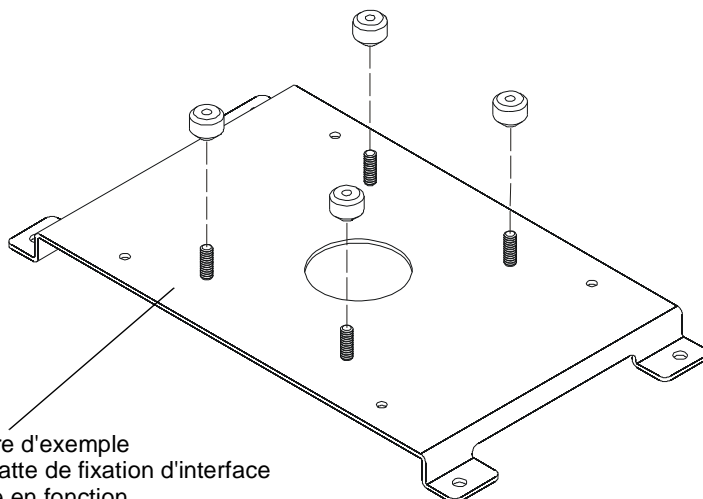
REMARQUE : Tige filetée et matériel d'installation non inclus.

2. Fixez une extrémité de la tige filetée à l'élément structurel.
3. Installez un contre-écrou #10-24 (non inclus) et une rondelle #10 sur chaque tige filetée.
4. Installez le RSME sur la tige filetée.

REMARQUE : Le trou dans le RSME permet l'accès avec une clef à douille sans avoir à démonter l'unité.

5. Fixez le RSME sur la tige filetée en utilisant quatre écrous #10-24 (non inclus) et quatre rondelles #10 (non incluses).

2



A titre d'exemple
(la patte de fixation d'interface
varie en fonction
du modèle de projecteur)

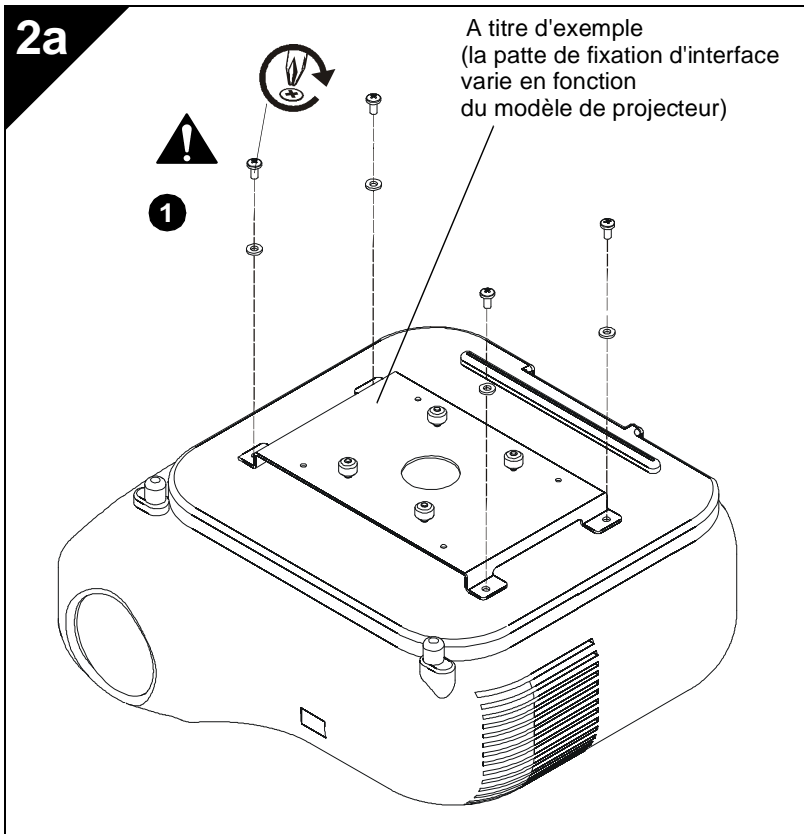
INSTALLATION DU PROJECTEUR

IMPORTANT ! : Le modèle RSME utilise des pattes de fixation d'interface de série « SLB » de Chief, en option. (Voir le dessin Pièces.)

Installez la patte de fixation d'interface

1. Vissez partiellement les écrous à ailettes sur les vis Phillips jusqu'à ce que la vis d'arrêt soit visible en haut de la vis de serrage.

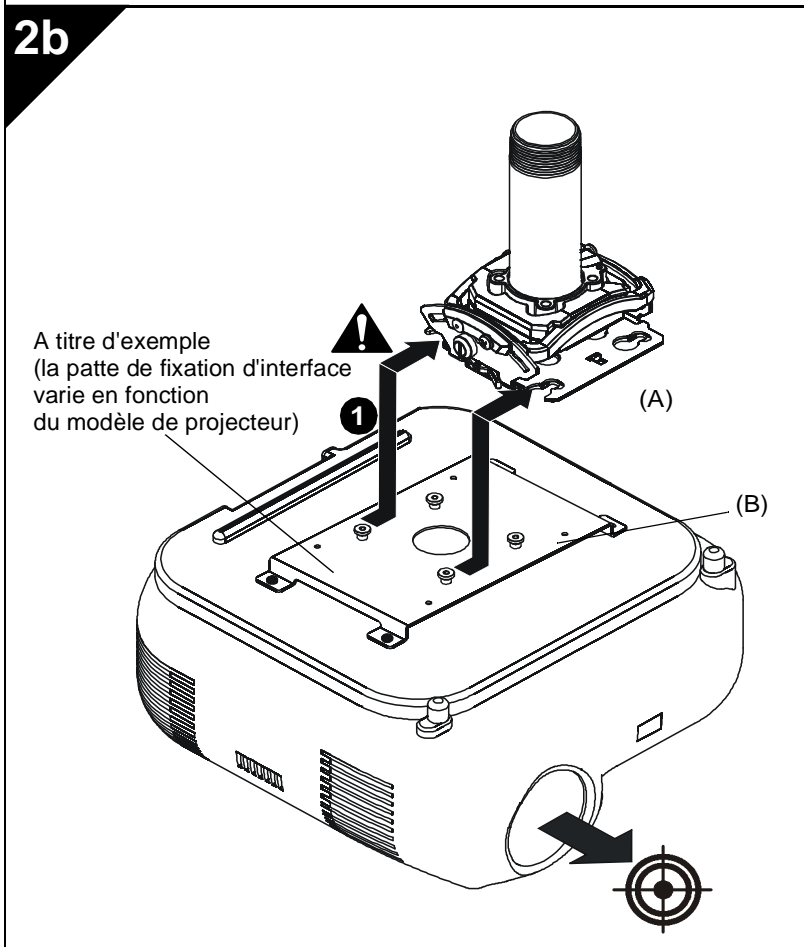
IMPORTANT ! : NE serrez PAS complètement les vis de serrage tout de suite.



AVERTISSEMENT : UNE MAUVAISE INSTALLATION PEUT PROVOQUER LA CHUTE DU PROJECTEUR ET ENDOMMAGER CELUI-CI, VOIRE ENTRAÎNER DES BLESSURES CORPORELLES GRAVES. NE PAS substituer le matériel. Utilisez uniquement le matériel fourni par le fabricant.

1. Fixez la patte de fixation au support en suivant les instructions d'installation et en utilisant le matériel fourni avec la patte de fixation.

REMARQUE : Les pattes d'interface peuvent être installées en utilisant le Kit de sécurité All-Points en option inclus avec les solutions de fixation SSM.



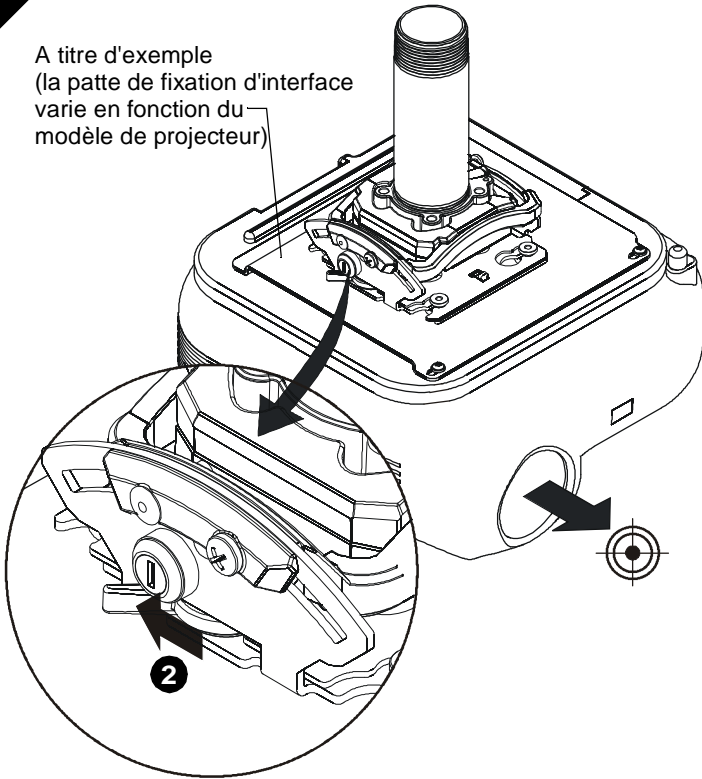
Installation du projecteur avec la patte de fixation

1. Orientez le projecteur avec la patte d'interface comme indiqué dans la figure 2b à gauche.
2. Soulevez le projecteur afin que les vis et les écrous à ailettes soient alignés sur les fentes de fixation de la base de montage.
3. Glissez le projecteur avec la patte de fixation dans les fentes de fixation de la base du montage jusqu'à ce que les vis soient ancrées à l'arrière des fentes de fixation. Voir les figures 2b et 2c.

AVERTISSEMENT : UNE MAUVAISE INSTALLATION PEUT PROVOQUER LA CHUTE DU PROJECTEUR ET ENDOMMAGER CELUI-CI, VOIRE ENTRAÎNER DES BLESSURES CORPORELLES GRAVES. Assurez-vous que les fentes de fixation dans la base de montage glissent sous les vis de serrage et que les vis sont ancrées à l'arrière des fentes.

2c

A titre d'exemple
(la patte de fixation d'interface
varie en fonction du
modèle de projecteur)

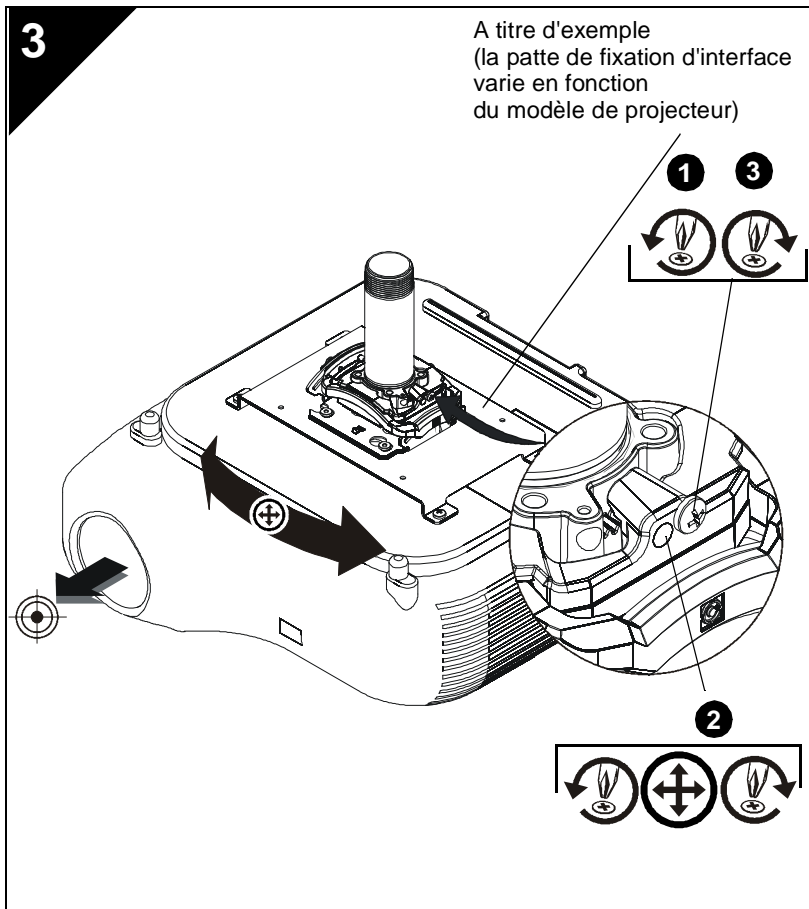


Fixation du projecteur avec la patte d'interface au support de modèle RSME



AVERTISSEMENT : UNE MAUVAISE INSTALLATION PEUT PROVOQUER LA CHUTE DU PROJECTEUR ET ENDOMMAGER CELUI-CI, VOIRE ENTRAÎNER DES BLESSURES CORPORELLES GRAVES. Assurez-vous que les fentes de fixation dans la base de montage glissent sous les vis de serrage et que les vis sont ancrées à l'arrière des fentes.

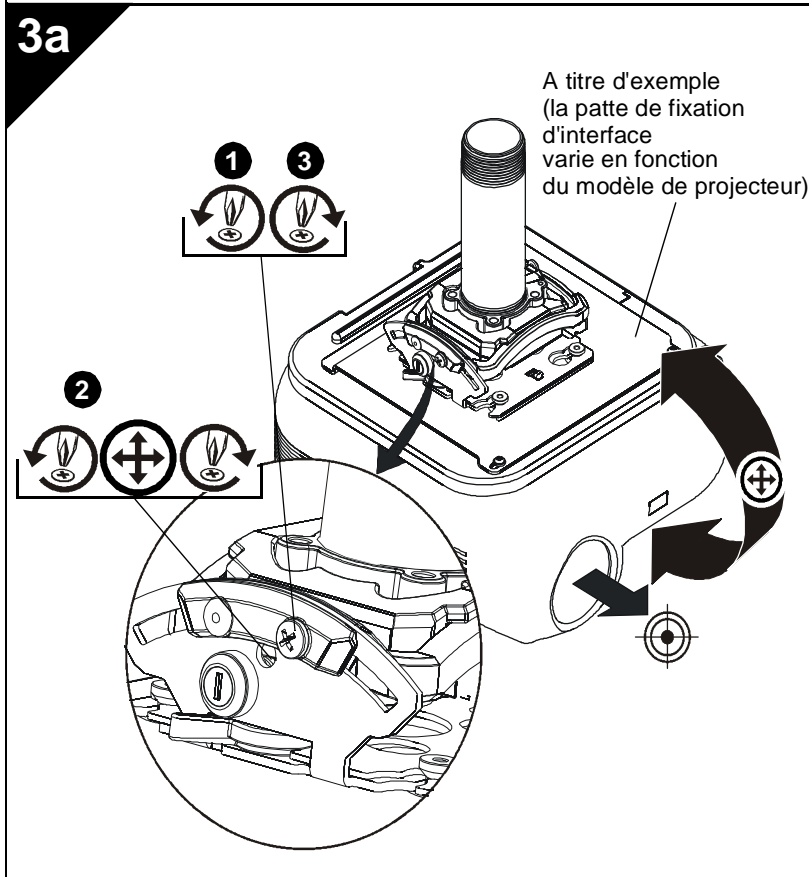
1. Vérifiez que les vis de fixation sont correctement ancrées dans les fentes de fixation de la base de montage.
2. Faites passer le levier de verrouillage en position « VERROUILLÉ » comme indiqué dans la figure 2c à gauche.
3. Insérez la clef dans la serrure et tournez-la pour fixer le projecteur au support.



RÉGLAGES

Réglage du LACET

1. Desserrez la vis de verrouillage du réglage du LACET en utilisant un tournevis Phillips #2.
2. Tournez la vis de micro-réglage du LACET vers la droite ou vers la gauche en utilisant un tournevis Phillips #2 jusqu'à ce que l'image soit correctement alignée à la cible.
3. Serrez la vis de verrouillage du réglage du LACET en utilisant un tournevis Phillips #2.

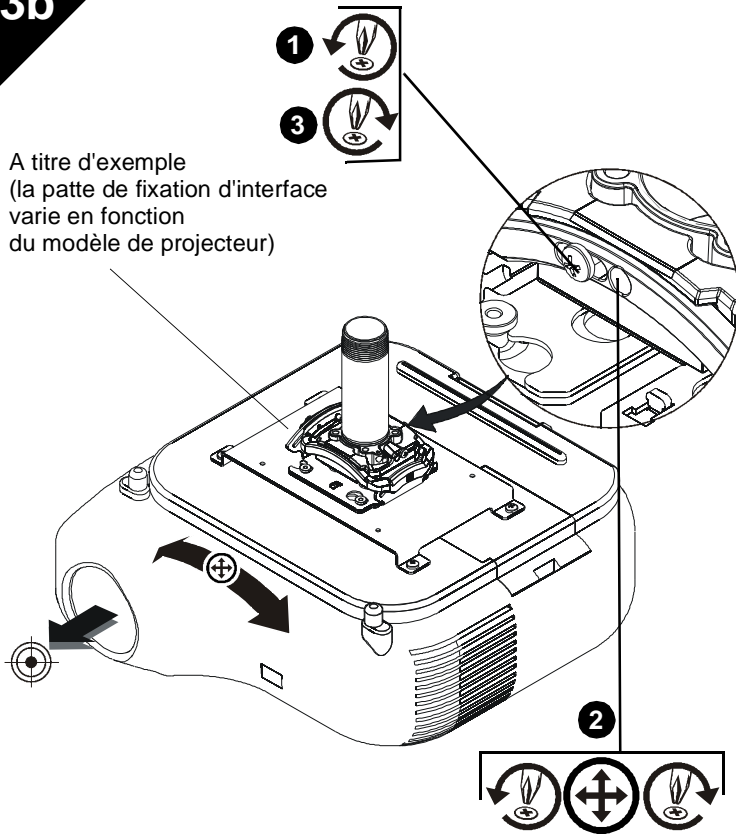


Réglage de l'inclinaison

1. Desserrez la vis de verrouillage du réglage de l'INCLINAISON en utilisant un tournevis Phillips #2.
2. Tournez la vis de micro-réglage de l'INCLINAISON vers la droite ou vers la gauche en utilisant un tournevis Phillips #2 jusqu'à ce que l'image soit correctement alignée à la cible.
3. Serrez la vis de verrouillage du réglage de l'INCLINAISON en utilisant un tournevis Phillips #2.

3b

A titre d'exemple
(la patte de fixation d'interface
varie en fonction
du modèle de projecteur)



Réglage de l'ondulation

1. Desserrez la vis de verrouillage du réglage de l'ONDULATION en utilisant un tournevis Phillips #2.
2. Tournez la vis de micro-réglage de l'ONDULATION vers la droite ou vers la gauche en utilisant un tournevis Phillips #2 jusqu'à ce que l'image soit correctement alignée à la cible.
3. Serrez la vis de verrouillage du réglage de l'ONDULATION en utilisant un tournevis Phillips #2.

HAFTUNGSAUSSCHLUSS

Milestone AV Technologies sowie seine konzerneigenen Unternehmen und Tochtergesellschaften (zusammen "Milestone") haben versucht, dieses Handbuch so genau und vollständig als möglich zu gestalten. Milestone erhebt jedoch weder Anspruch auf Vollständigkeit der Einzelheiten, Bedingungen und Änderungen der hierin enthaltenen Informationen, noch übernimmt das Unternehmen irgendeine Haftung für eventuelle Schadensfälle in Verbindung mit der Installation oder Verwendung dieses Produkts. Die in diesem Dokument enthaltenen Informationen können ohne vorherige Ankündigung oder sonstige Verpflichtungen jederzeit geändert werden. Milestone schließt jegliche ausdrückliche oder stillschweigende Zusicherung und Gewährleistung bezüglich der hierin enthaltenen Informationen aus. Milestone übernimmt keinerlei Verantwortung für die Genauigkeit, Vollständigkeit oder Angemessenheit der in diesem Dokument enthaltenen Informationen.

Chief® ist eine eingetragene Marke von Milestone AV Technologies. Alle Rechte vorbehalten.



WICHTIGE SICHERHEITSHINWEISE



WARNUNG: WARNUNG weist darauf hin, dass bei Nichtbefolgung der Anweisungen Verletzungs- oder Lebensgefahr besteht.



VORSICHT: VORSICHT weist darauf hin, dass bei Nichtbefolgung der Anweisungen die Möglichkeit von Geräteschäden besteht.



WARNUNG: Die Nichtbefolgung dieser Anweisungen kann zu schweren Verletzungen und Geräteschäden sowie zum Erlöschen der Garantie führen. Der Monteur hat dafür zu sorgen, dass alle Bauelemente nach den beiliegenden Anweisungen montiert und installiert werden.



WARNUNG: Wenn dieses Bauelement nicht an einer Konstruktion mit der erforderlichen Tragfähigkeit montiert wird, kann dies zu schweren Verletzungen oder Geräteschäden führen! Der Monteur hat dafür zu sorgen, dass die Konstruktion, an der das Bauelement angebracht wird, über die erforderliche Tragfähigkeit verfügt. Die Konstruktion muss das fünffache Gesamtgewicht des Geräts tragen können. Verstärken Sie vor der Montage des Bauelements ggf. die Konstruktion.



WARNUNG: Das Überschreiten der maximalen Tragkraft kann zu schweren Verletzungen oder Geräteschäden führen! Der Monteur ist dafür verantwortlich, sicherzustellen, dass das Gesamtgewicht aller Komponenten, die mit der RSME verbunden sind, 11,34 kg (25 lbs) nicht überschreitet.

- Die maximale Tragkraft der RSME ist auf die maximale Tragkraft des zwischen der RSME und der tragenden Konstruktion verwendeten sonstigen Bauelements mit der jeweils niedrigsten Tragkraft BESCHRÄNKT!



WARNUNG: Verwenden Sie das Halterungssystem nur für den vorgesehenen, in der Anleitung beschriebenen Zweck. Verwenden Sie keine Zubehörteile, die nicht vom Hersteller empfohlen wurden.



WARNUNG: Verwenden Sie das Halterungssystem nie in beschädigtem Zustand. Bringen Sie das Halterungssystem in diesem Fall für die Fehlersuche und Reparatur zu einem Service-Center.



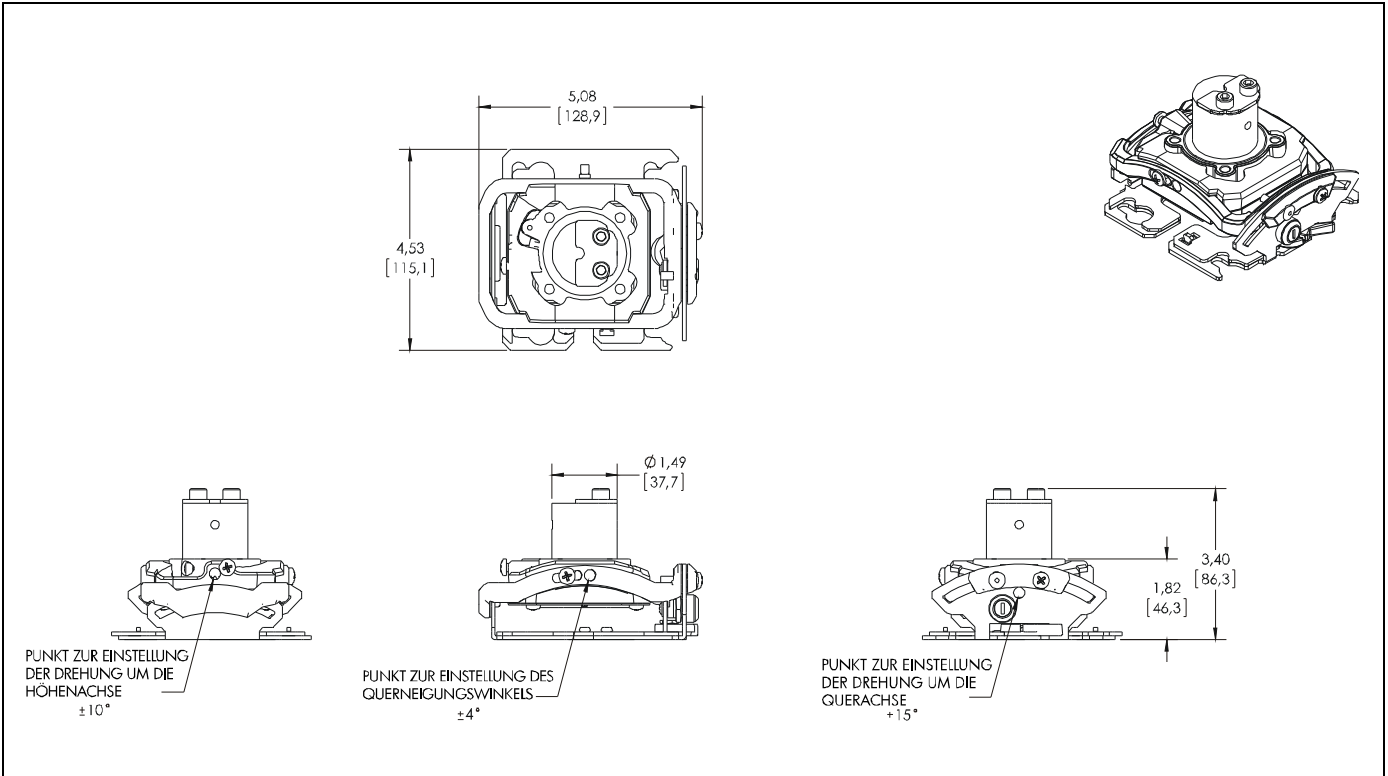
WARNUNG: Verwenden Sie das Produkt nie im Freien.

WICHTIG! RSME-Halterungen eignen sich für:

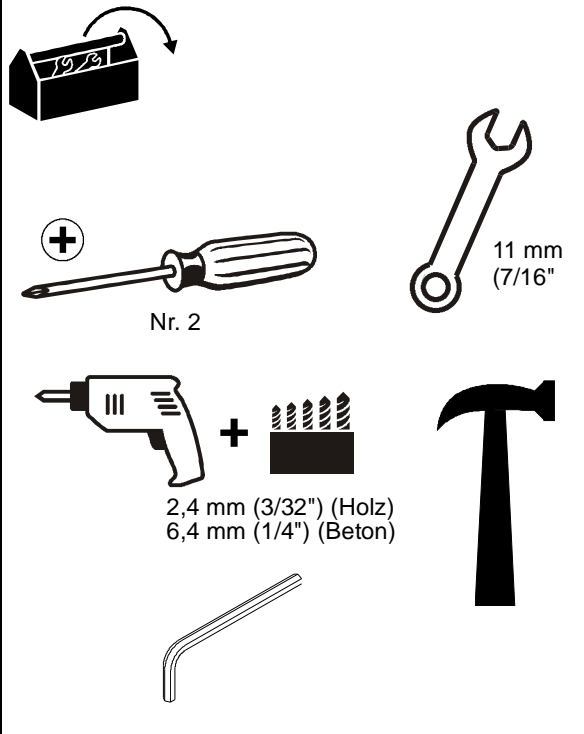
- die Montage an eine (nicht mitgelieferte) Ausziehsäule mit 1-1/2"-NPT- oder NPSM-Gewinde aus Stahl oder Aluminium, die für 22,7 kg (50 lbs) oder mehr zugelassen ist; oder
- die Montage an einer doppelten Querverstrebung (38,1 mm / 1-1/2" von Mitte zu Mitte) aus 51 mm x 102 mm (2" x 4")-Holzbalken zwischen zwei 51 mm x 102 mm (2" x 4") Deckenbalken mit einer Gipskartonbeschichtung von maximal 16 mm (5/8");
- die Montage an eine Betondecke mit einer Mindeststärke von 203 mm (8") und einer Gipskartonbeschichtung von maximal 16 mm (5/8"); oder
- die Aufhängung an vier (nicht mitgelieferten) Nr.10-24-Gewindestangen aus Stahl, die mittels (nicht mitgelieferter) Nr. 10-24-Rechteckmuttern an einer 1-5/8" x 1-5/8" 12ga Metallschiene (mit einer Höchstlänge von 4 Fuß – ebenfalls nicht mitgeliefert) befestigt werden.

--BEWAHREN SIE DIESE ANWEISUNGEN AUF--

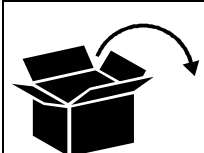
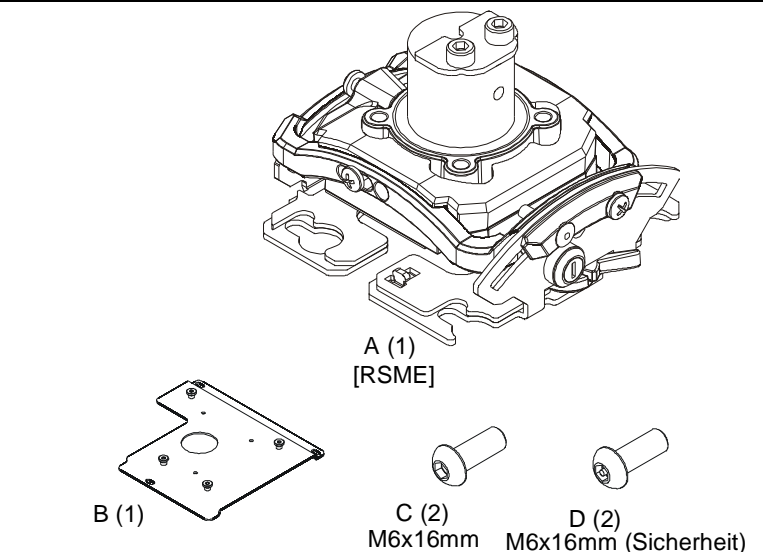
ABMESSUNGEN

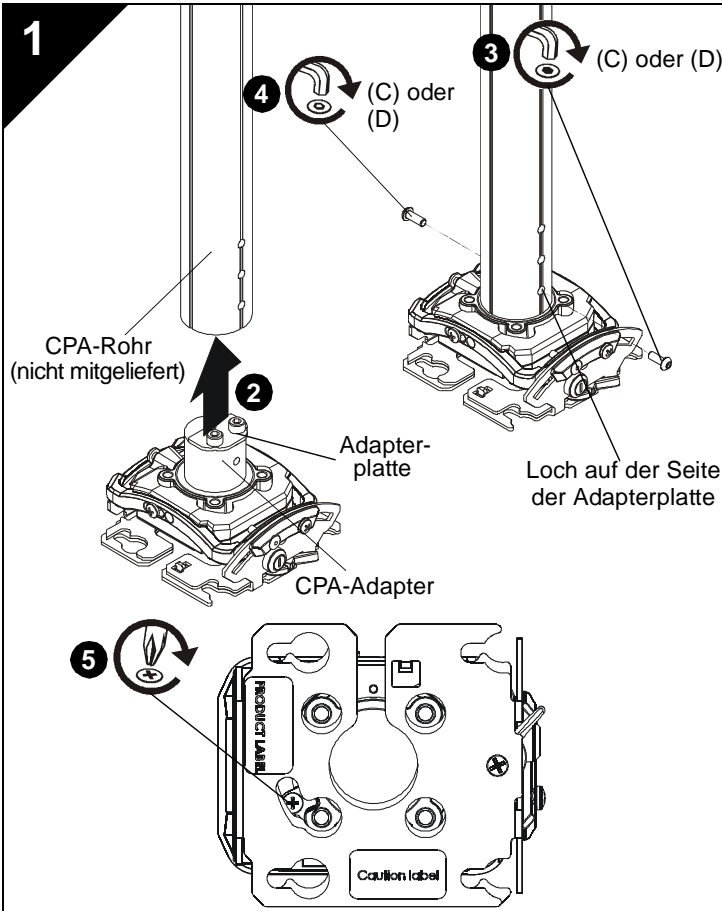


FÜR DIE MONTAGE ERFORDERLICHES WERKZEUG/BEFESTIGUNGSMATERIAL

 <p>Nr. 2</p> <p>11 mm (7/16")</p> <p>2,4 mm (3/32") (Holz) 6,4 mm (1/4") (Beton)</p>	<p><u>Erforderliche Befestigungsmaterialien – nicht mitgeliefert</u></p> <p>(abhängig von der Installationsmethode)</p> <ol style="list-style-type: none"> 1. Montage an einer Ausziehsäule mit Gewinde <ul style="list-style-type: none"> • Ausziehsäule mit 1-1/2"-NPT- oder NPSM-Gewinde aus Stahl oder Aluminium, die für 22,7 kg (50 lbs) oder mehr zugelassen ist 2. Montage an Holzdeckenbalken <ul style="list-style-type: none"> • Nr. 10 x 3" Kreuzschlitzholzschrauben (4 Stk.) • Nr. 10 Unterlegscheiben (4 Stk.) 3. Montage an Beton <ul style="list-style-type: none"> • 3/8" x 2-1/4" Betondübel Klasse 2 (4 Stk.) • Nr. 10 Unterlegscheiben (4 Stk.) • Nr. 10 x 3" Kreuzschlitzholzschrauben (4 Stk.) 4. Montage an Gewindestange <ul style="list-style-type: none"> • Nr. 10-24 Stahlgewindestangen (4 Stk.) • Nr. 10-24 Rechteckmuttern (4 Stk.) • Nr. 10-24 Kontermuttern (8 Stk.) • Nr. 10 Unterlegscheiben (8 Stk.)
--	---

TEILE

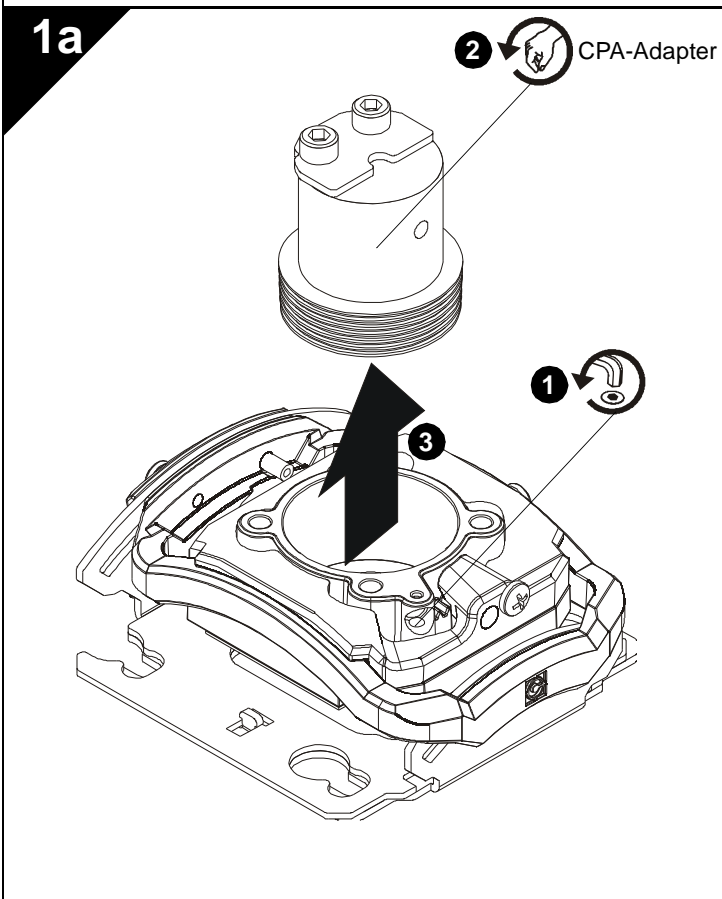
 <p>Nur ein Beispiel (Anschlussplatte je nach Projektor- modell verschieden)</p>	 <p>A (1) [RSME]</p> <p>B (1)</p> <p>C (2) M6x16mm</p> <p>D (2) M6x16mm (Sicherheit)</p>	<div style="border: 1px solid black; padding: 5px; display: inline-block;"> <p>All-Points-Sicherheitspaket</p> </div> <p>(Optional)</p>
---	--	---



MONTAGE DER RSME

Montage eines CPA-Rohrs

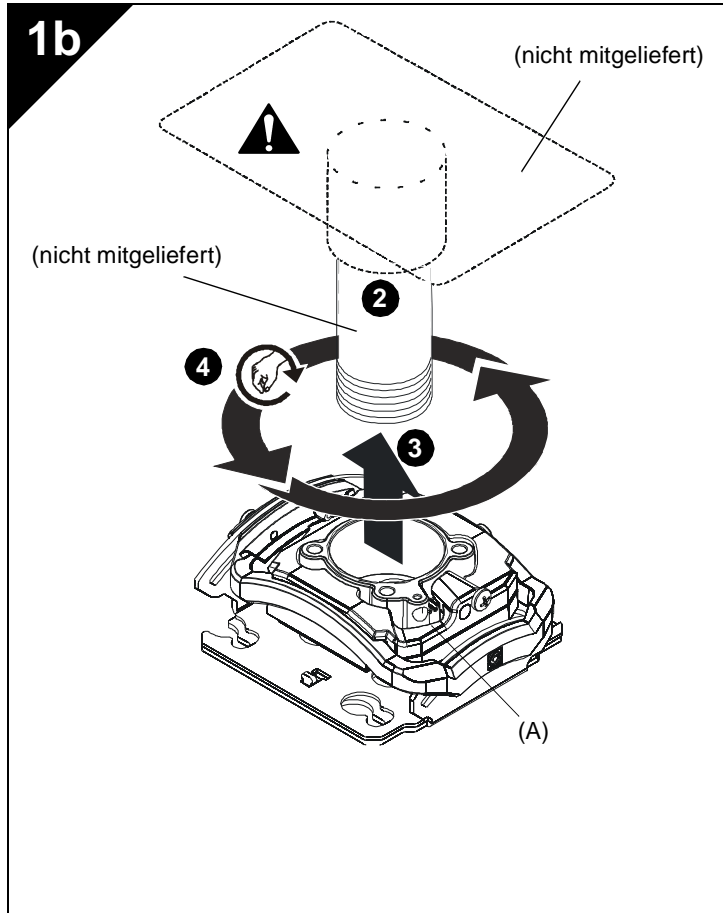
1. Wählen Sie sorgfältig eine Montagestelle aus.
WICHTIG! Hierzu müssen Sie den Abstand zwischen Linse und Leinwand kennen. Die technischen Daten des Projektors bieten Ihnen Informationen zur Bestimmung dieses Abstands.
2. Schieben Sie die RSME so in die untere Öffnung der CPA-Säule, dass die Löcher des CPA-Adapters der RSME und der (nicht mitgelieferten) CPA-Säule genau übereinander liegen.
3. Schrauben Sie entweder eine M6x16-Halbrundkopfschraube (C) oder eine Sicherheitsschraube (D) in das Loch auf der Seite des CPA-Rohrs, auf der sich die Adapterplatte des CPA-Adapters befindet.
4. Befestigen Sie die RSME (A) auf der gegenüberliegenden Seite des CPA -Rohrs mit der anderen M6x16-Halbrundkopfschraube (C) oder Sicherheitsschraube (D) an der CPA-Säule.
5. Ziehen Sie die Sicherheitsschraube (Zugang von der Unterseite der RSME aus) mit einem Kreuzschlitzschraubendreher fest, bis die Feststellschraube durch das Feststellschrauben-Zugangslot in der RSME nicht mehr zu sehen ist.
6. Fahren Sie beim Abschnitt "Montage des Projektors" fort.



Entfernen des CPA-Adapters

HINWEIS: Falls Sie die RSME an etwas anderes als eine CPA-Säule montieren, muss der CPA-Adapter vor der Montage von der RSME-Halterung entfernt werden.

1. Lösen Sie die Feststellschraube, die den CPA-Adapter an die RSME-Halterung fixiert.
2. Drehen Sie den CPA -Adapter gegen den Uhrzeigersinn, bis sich das Gewinde aus der RSME löst.
3. Entfernen Sie den CPA-Adapter aus der RSME.

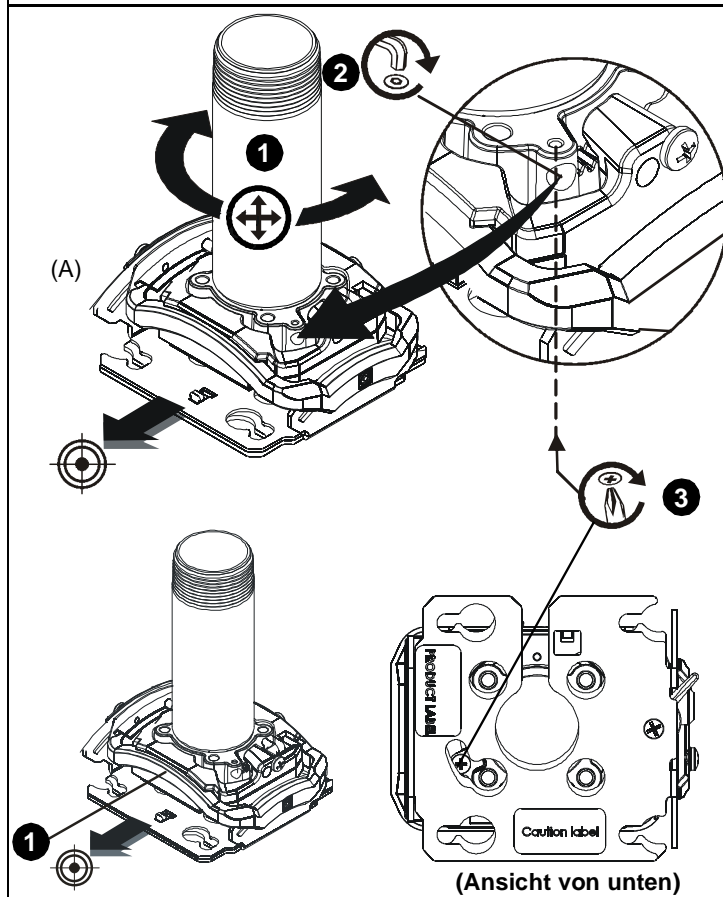


MONTAGE DER RSME

Montage eines Gewinderohrs

HINWEIS: Vor der Montage der RSME an das Gewinderohr muss der CPA-Adapter entfernt werden. Weitere Informationen dazu finden Sie in Abschnitt 1a.

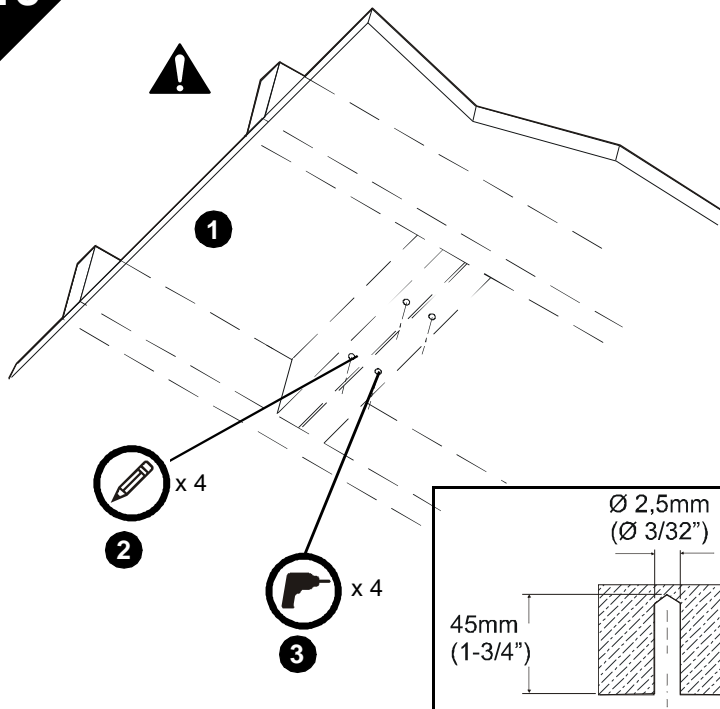
1. Wählen Sie sorgfältig eine Montagestelle aus. **WICHTIG!** Hierzu müssen Sie den Abstand zwischen Linse und Leinwand kennen. Die technischen Daten des Projektors bieten Ihnen Informationen zur Bestimmung dieses Abstands.
 2. Entfernen Sie den CPA-Adapter durch Lösen der Feststellschraube von der RSME.
 3. Schrauben Sie eine (nicht mitgelieferte) Ausziehsäule mit 1-1/2"-NPT- oder NPSM-Gewinde aus Stahl oder Aluminium fest in den Gewindekragen, wobei mindestens vier Gewindegänge eingeschraubt werden müssen.
- ⚠️ WARNUNG:** EINE UNSACHGEMÄSSE MONTAGE KANN ZU SCHWEREN VERLETZUNGEN ODER GERÄTESCHÄDEN FÜHREN! Die Bauteile **MÜSSEN** das fünffache Gesamtgewicht des montierten Geräts tragen können.
4. Richten Sie die RSME nach dem Ende des NPT-Rohrs aus.
 5. Schrauben Sie die RSME durch Drehen handfest auf das Rohr.



Ungefähre Ausrichtung der RSME

1. Drehen Sie die RSME im oder gegen den Uhrzeigersinn, bis die Vorderseite der Halterung auf das Projektorziel zeigt.
 2. Befestigen Sie die RSME durch Festziehen der Feststellschraube am Rohr.
- ⚠️ VORSICHT:** ZIEHEN SIE DIE SCHRAUBEN NICHT ZU FEST AN! Bei Überziehen der Feststellschraube können die Gewinde des Rohres beschädigt werden.
3. Schrauben Sie die Sicherheitsschraube mit einem Kreuzschlitzschraubendreher so tief ein, dass sie durch die Zugangsöffnung in der RSME nicht mehr zu sehen ist.

1c



Montage an Holzbalken

HINWEIS: Vor der Montage der RSME an Holzbalken muss der CPA-Adapter entfernt werden. Weitere Informationen dazu finden Sie in Abschnitt 1a.

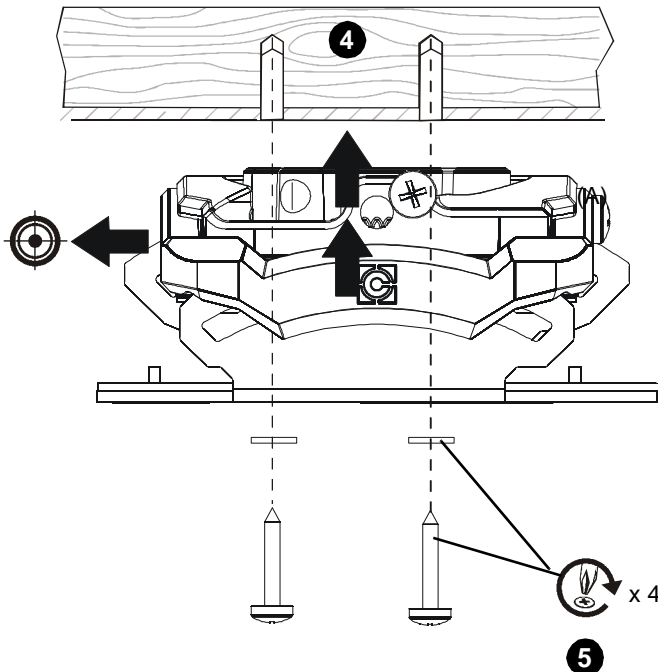
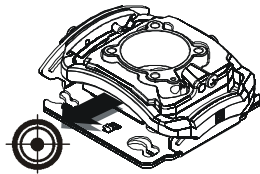
1. Wählen Sie sorgfältig eine Montagestelle aus.

WICHTIG! Hierzu müssen Sie den Abstand zwischen Linse und Leinwand kennen. Die technischen Daten des Projektors bieten Ihnen Informationen zur Bestimmung dieses Abstands.



WARNUNG: EINE UNSACHGEMÄSSE MONTAGE KANN ZU SCHWEREN VERLETZUNGEN ODER GERÄTESCHÄDEN FÜHREN! Die Bauteile **MÜSSEN** das fünffache Gesamtgewicht des montierten Geräts tragen können.

WICHTIG! RSME-Halterungen eignen sich für die Montage an einer doppelten Querverstrebung (38,1 mm / 1-1/2" von Mitte zu Mitte) aus 51 mm x 102 mm (2" x 4")-Holzbalken zwischen zwei Deckenbalken mit einer Gipskartonbeschichtung von maximal 16 mm (5/8").



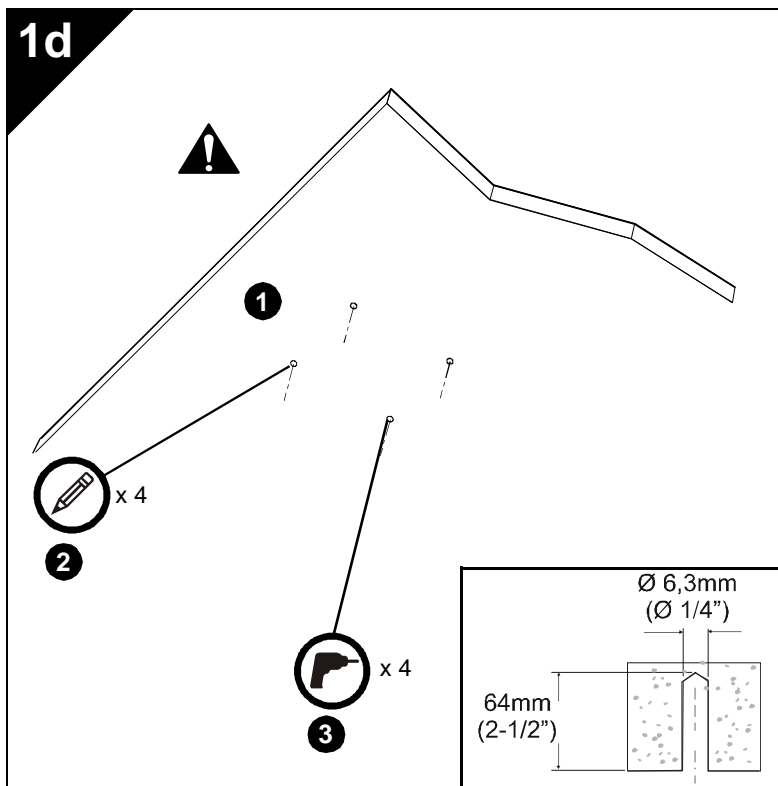
2. Zeichnen Sie mithilfe der RSME als Schablone mit einem Bleistift oder Ähnlichem vier Bohrstellen an. Die Bohrstellen müssen jeweils in der Mitte zweier 51 mm x 102 mm (2" x 4")-Querstreben angebracht werden.

3. Bohren Sie vier Vorbohrungen mit einem Durchmesser von 2,5 mm (3/32") und einer Tiefe von 45 mm (1-3/4").

4. Richten Sie die vier Montagebohrungen in der RSME nach den vier Vorbohrungen aus.

WICHTIG! Stellen Sie sicher, dass die Halterung genau auf das Ziel gerichtet ist, bevor Sie sie an der Konstruktion befestigen.

5. Befestigen Sie die RSME mit vier Nr. 10-Unterlegscheiben und vier Nr.10 x 3"-Kreuzschlitzholzschrauben (nicht mitgeliefert) an der Konstruktion.



Montage an Beton

HINWEIS: Vor der Montage der RSME an Beton muss der CPA-Adapter entfernt werden. Weitere Informationen dazu finden Sie in Abschnitt 1a.

1. Wählen Sie eine Montagestelle aus.

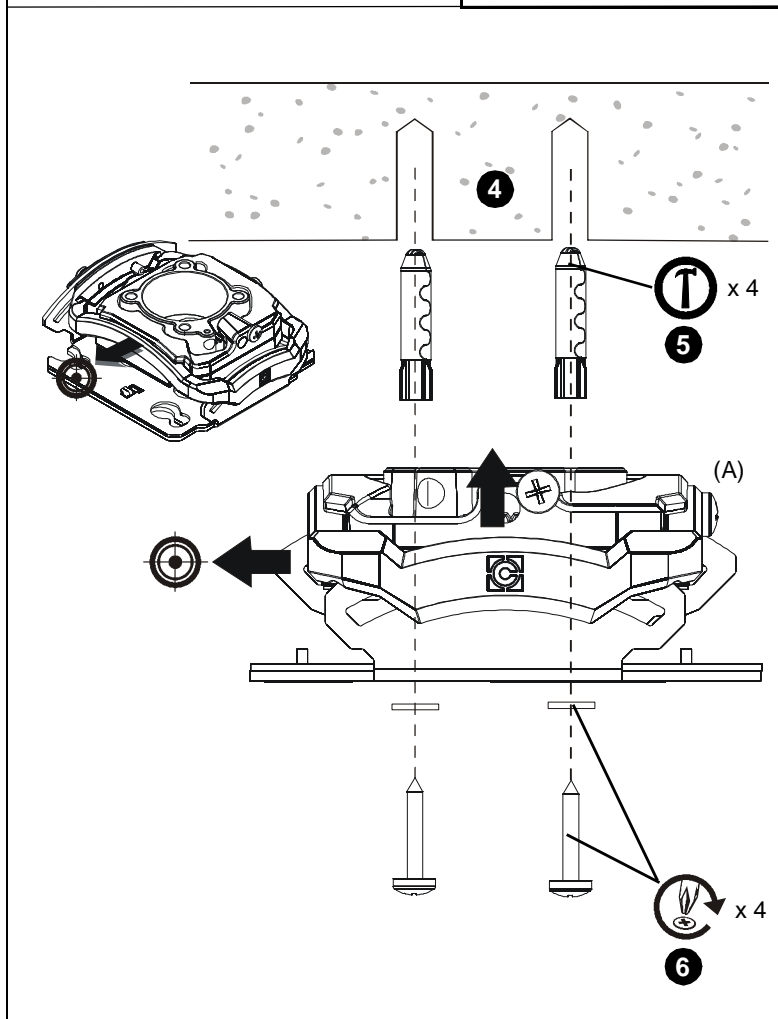


WARNUNG: Die RSME eignet sich zur Montage an eine Betondecke mit einer Mindeststärke von 203 mm (8") und einer Gipskartonbeschichtung von maximal 16 mm (5/8").



WARNUNG: EINE UNSACHGEMÄSSE MONTAGE KANN ZU SCHWEREN VERLETZUNGEN ODER GERÄTESCHÄDEN FÜHREN! Die Bauteile **MÜSSEN** das fünffache Gesamtgewicht des montierten Geräts tragen können.

2. Zeichnen Sie mithilfe der RSME als Schablone mit einem Bleistift oder Ähnlichem vier Bohrstellen an die Decke.
 3. Bohren Sie vier Vorbohrungen mit einem Durchmesser von 6,3 mm (1/4") und einer Tiefe von 64 mm (2-1/2").



4. Richten Sie die vier Montagebohrungen in der RSME nach den vier Vorbohrungen aus.

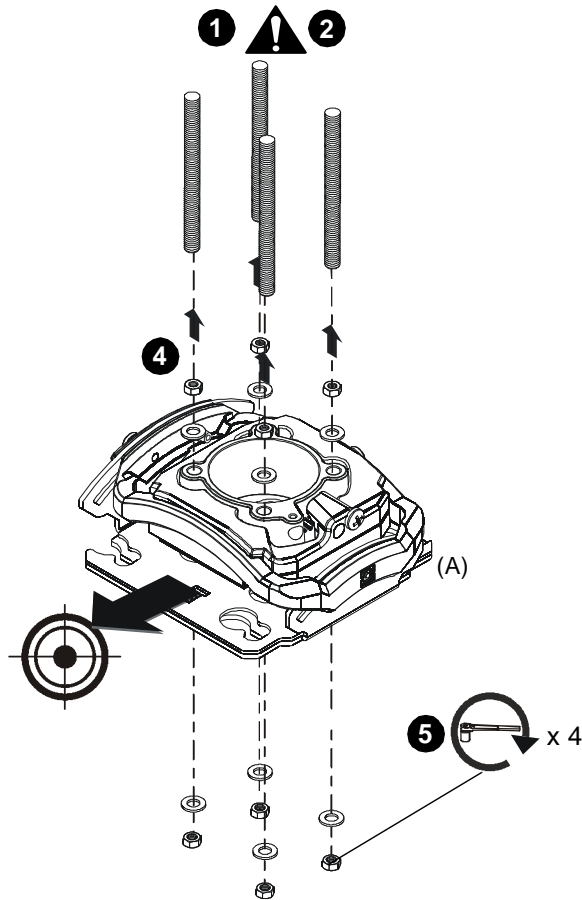
WICHTIG! Stellen Sie sicher, dass die Halterung genau auf das Ziel gerichtet ist, bevor Sie sie an der Konstruktion befestigen.



WARNUNG: Dübel (nicht mitgeliefert) müssen in baulich intakte Massivbetondecken montiert werden. Die Installation in Hohlblockdecken, Mörtel oder Beton, der Risse, Absplitterungen oder andere Defekte aufweist, kann zu einem Versagen des Dübels und schweren Personen- oder Sachschäden führen.

5. Stecken Sie vier (nicht mitgelieferte) 3/8" x 2-1/4"-Betondübel in die Vorbohrungen und schlagen Sie sie mit dem Hammer ein, bis sie bündig mit der Befestigungsfläche abschließen.
 6. Befestigen Sie die RSME mit vier Nr. 10-Unterlegscheiben und vier Nr.10 x 3"-Kreuzschlitzholzschrauben (nicht mitgeliefert) an der Konstruktion.

1e



Montage an Gewindestangen

HINWEIS: Vor der Montage der RSME an die Gewindestangen muss der CPA-Adapter entfernt werden. Weitere Informationen dazu finden Sie in Abschnitt 1a.

Die RSME muss an vier (nicht mitgelieferten) Gewindestangen mit einem Durchmesser von mindestens Nr. 10-24 aufgehängt werden, die mittels (nicht mitgelieferter) Nr. 10-24-Rechteckmuttern an Unistrut-, eckigen oder U-Eisen-Deckenbauteilen (Auslegern oder I-Trägern) befestigt werden.



WARNUNG: EINE UNSACHGEMÄSSE MONTAGE KANN ZU SCHWEREN VERLETZUNGEN ODER GERÄTESCHÄDEN FÜHREN! Die Bauteile **MÜSSEN** das fünffache Gesamtgewicht des montierten Geräts tragen können.

1. Wählen Sie sorgfältig eine Montagestelle aus.
WICHTIG! Hierzu müssen Sie den Abstand zwischen Linse und Leinwand kennen. Die technischen Daten des Projektors bieten Ihnen Informationen zur Bestimmung dieses Abstands.

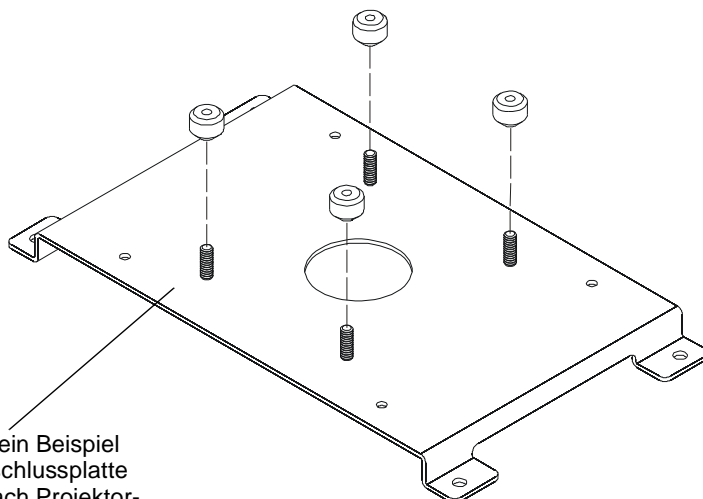
HINWEIS: Gewindestangen und Befestigungsmaterialien werden nicht mitgeliefert.

2. Befestigen Sie ein Ende der Gewindestange am Bauteil.
3. Montieren Sie jeweils eine (nicht mitgelieferte) Nr. 10-24-Kontermutter und eine Nr.10-Unterlegscheibe an jede Gewindestange.
4. Montieren Sie die RSME an die Gewindestange.

HINWEIS: Das Loch in der RSME ermöglicht die Verwendung eines Steckschlüssels, ohne dass das Bauteil auseinandergebaut werden muss.

5. Befestigen Sie die RSME mit vier (nicht mitgelieferten) Nr. 10-24-Muttern und vier (nicht mitgelieferten) Nr. 10-

2



Nur ein Beispiel
(Anschlussplatte
je nach Projektor-
modell verschieden)

MONTAGE DES PROJEKTORS

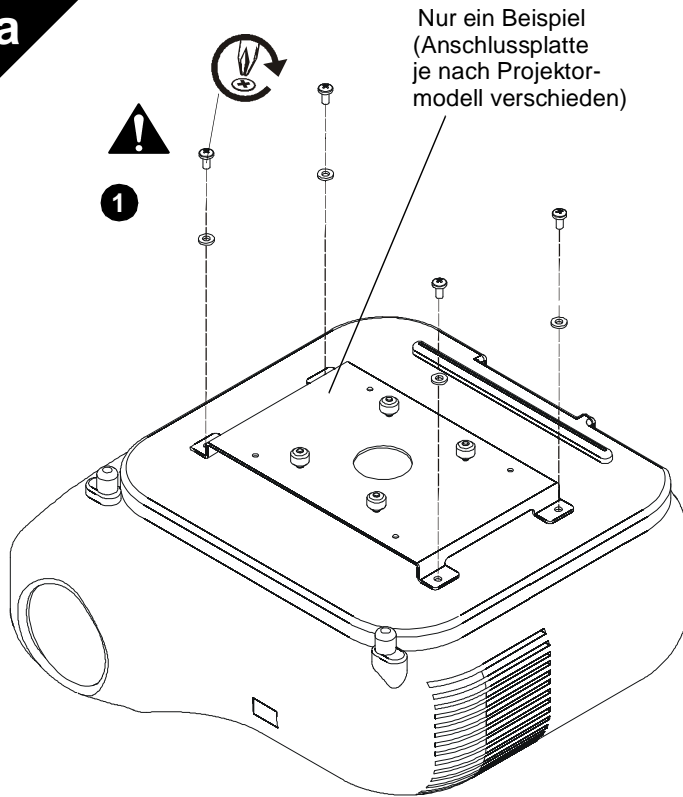
WICHTIG! Das RSME-Modell lässt sich mit den optionalen Anschlussplatten der Chief-Serie "SSM" kombinieren. (Siehe Abb. Teile.)

Montieren der Anschlussplatte

1. Schrauben Sie Flügelmuttern so weit auf die Kreuzschlitzschrauben, bis das Schraubende an der Oberseite der Flügelmutter zu sehen ist.

WICHTIG! Ziehen Sie die Flügelschrauben zu diesem Zeitpunkt noch NICHT vollständig fest.

2a

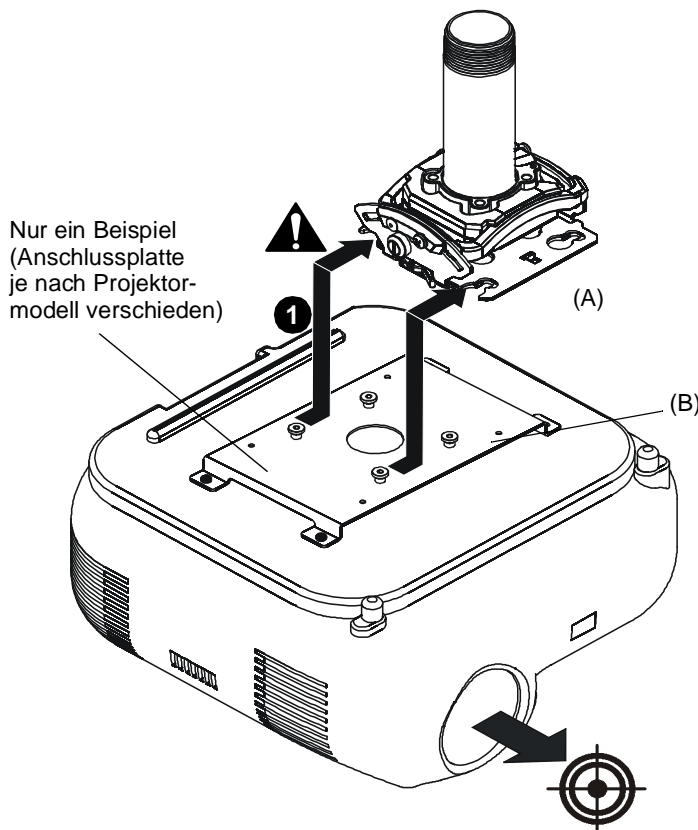


WARNUNG: EINE UNSACHGEMÄSSE MONTAGE KANN ZUM HERUNTERFALLEN DES PROJEKTORS FÜHREN UND SCHWERE VERLETZUNGEN ODER GERÄTESCHÄDEN VERURSACHEN. Verwenden Sie KEINE Ersatz-Befestigungsmittel. Verwenden Sie nur die vom Hersteller mitgelieferten Befestigungsmaterialien.

1. Befestigen Sie die Anschlussplatte mithilfe der der Anschlussplatte beiliegenden Montageanleitung und Befestigungsmaterialien an der Halterung.

HINWEIS: Anschlussplatten lassen sich mithilfe der optionalen All-Points-Sicherheitspackung, die den SSM-Befestigungssystemen beigelegt ist, montieren.

2b



Montage eines Projektors mit Anschlussplatte

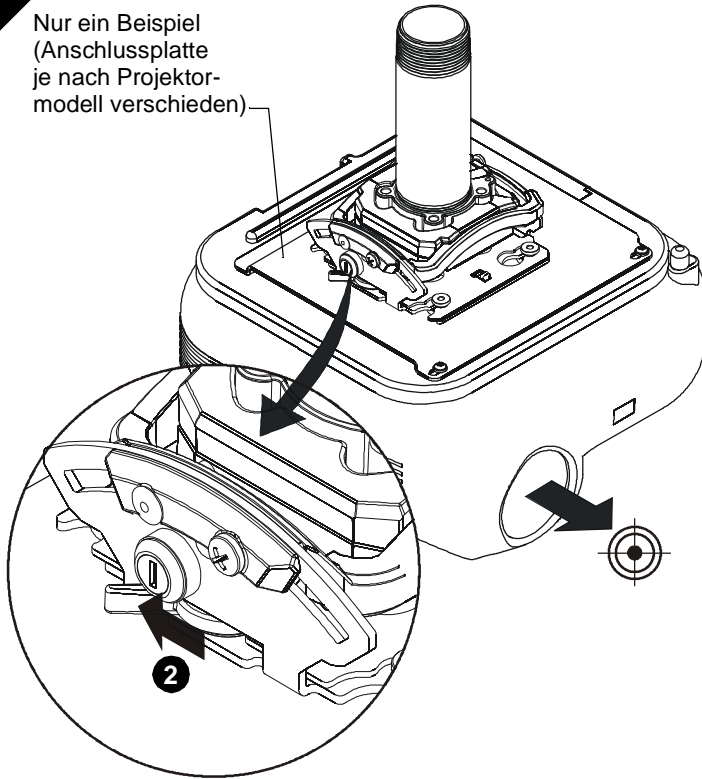
1. Richten Sie den Projektor mit der Anschlussplatte so aus, wie links in Abb. 2b dargestellt.
2. Halten Sie den Projektor so, dass die Schrauben mit den Flügelmuttern nach den Montageschlitzen in der Montagebasis ausgerichtet sind.
3. Schieben Sie den Projektor mit der Anschlussplatte in die Montageschlitze der Montagebasis, bis sich die Schrauben am hinteren Ende der Schlitze befinden. Siehe Abb. 2b und 2c.



WARNUNG: EINE UNSACHGEMÄSSE MONTAGE KANN ZUM HERUNTERFALLEN DES PROJEKTORS FÜHREN UND SCHWERE VERLETZUNGEN ODER GERÄTESCHÄDEN VERURSACHEN. Stellen Sie sicher, dass die Montageschlitze in der Montagebasis unter die Flügelmuttern geschoben werden und dass sich die Schrauben am hinteren Ende der Schlitze befinden.

2c

Nur ein Beispiel
(Anschlussplatte
je nach Projektor-
modell verschieden)

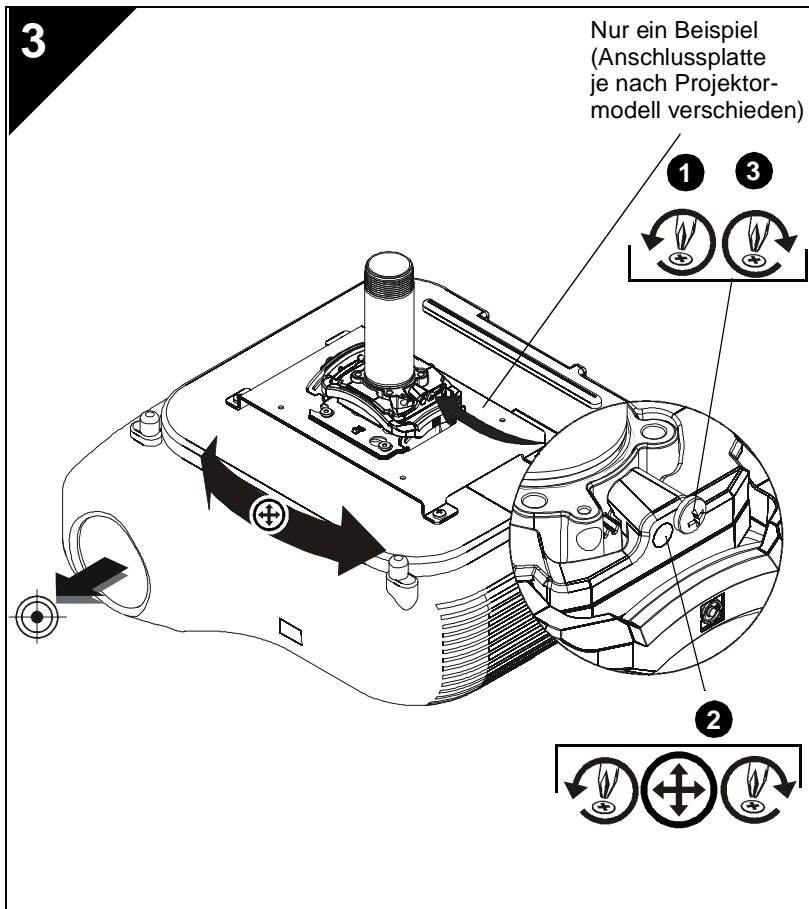


Befestigen des Projektors mit der Anschlussplatte an der RSME-Halterung



WARNUNG: EINE UNSACHGEMÄSSE MONTAGE KANN ZUM HERUNTERFALLEN DES PROJEKTORS FÜHREN UND SCHWERE VERLETZUNGEN ODER GERÄTESCHÄDEN VERURSACHEN. Stellen Sie sicher, dass die Montageschlitze in der Montagebasis unter die Flügelmuttern geschoben werden und dass sich die Schrauben am hinteren Ende der Schlitze befinden.

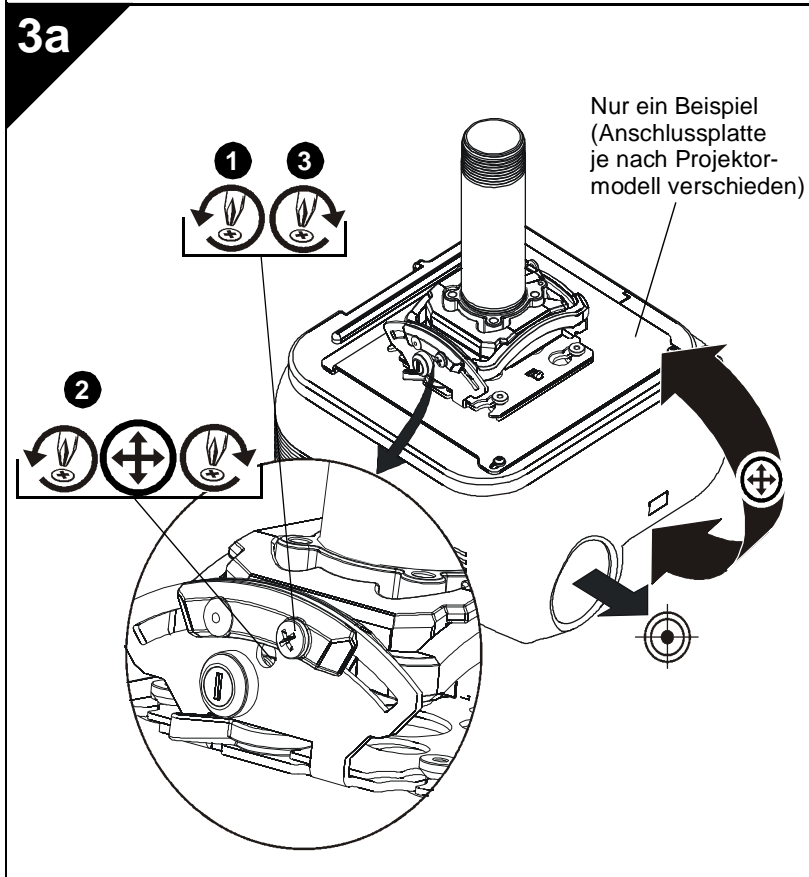
1. Überprüfen Sie, ob sich die Schrauben ordnungsgemäß in den Montageschlitzen der Montagebasis befinden.
2. Bringen Sie den Feststellhebel in die „VERSPERRT“-Position, wie links in Abb. 2c dargestellt.
3. Stecken Sie den Schlüssel ins Schloss und drehen Sie ihn, um den Projektor an der Halterung zu befestigen.



EINSTELLUNGEN

Einstellung der Drehung um die HÖHENACHSE

1. Lösen Sie die Feststellschraube für die Einstellung der Drehung um die HÖHENACHSE mit einem Nr. 2-Kreuzschlitzschraubendreher.
2. Drehen Sie die Mikro-Justierschraube zur Einstellung der Drehung um die HÖHENACHSE mit einem Nr. 2-Kreuzschlitzschraubendreher nach rechts oder links, bis das Bild auf dem Ziel korrekt ausgerichtet ist.
3. Ziehen Sie die Feststellschraube für die Einstellung der Drehung um die HÖHENACHSE mit einem Nr. 2-Kreuzschlitzschraubendreher fest.

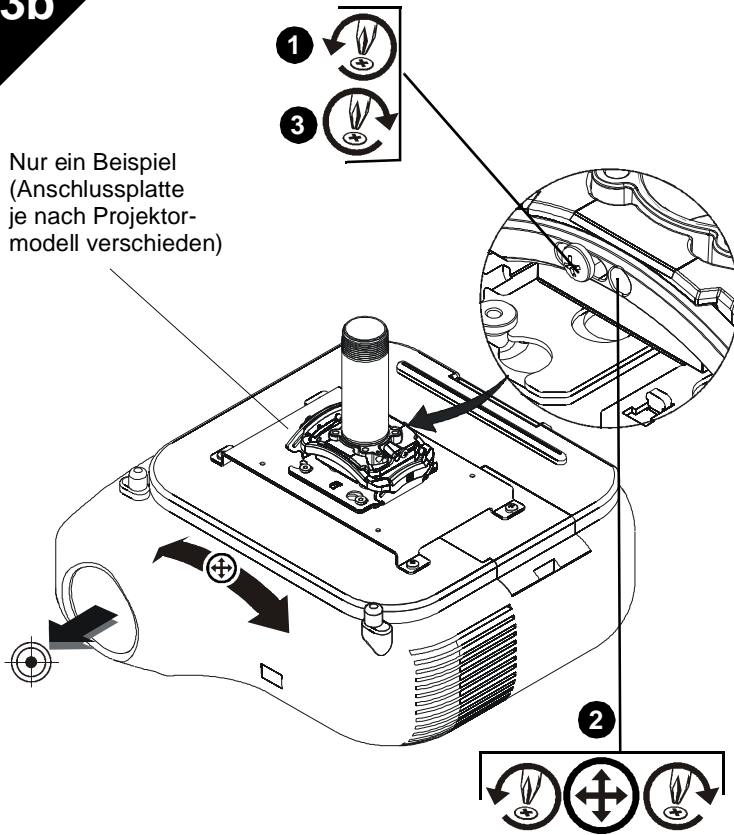


Einstellung der Drehung um die QUERACHSE

1. Lösen Sie die Feststellschraube für die Einstellung der Drehung um die QUERACHSE mit einem Nr. 2-Kreuzschlitzschraubendreher.
2. Drehen Sie die Mikro-Justierschraube zur Einstellung der Drehung um die QUERACHSE mit einem Nr. 2-Kreuzschlitzschraubendreher nach rechts oder links, bis das Bild auf dem Ziel korrekt ausgerichtet ist.
3. Ziehen Sie die Feststellschraube für die Einstellung der Drehung um die QUERACHSE mit einem Nr. 2-Kreuzschlitzschraubendreher fest.

3b

Nur ein Beispiel
(Anschlussplatte
je nach Projektor-
modell verschieden)



Einstellung des Querneigungswinkels

1. Lösen Sie die Feststellschraube für die Einstellung des QUERNEIGUNGSWINKELS mit einem Nr. 2-Kreuzschlitzschraubendreher.
2. Drehen Sie die Mikro-Justierschraube des QUERNEIGUNGSWINKELS mit einem Nr. 2-Kreuzschlitzschraubendreher nach rechts oder links, bis das Bild auf dem Ziel korrekt ausgerichtet ist.
3. Ziehen Sie die Feststellschraube für die Einstellung des QUERNEIGUNGSWINKELS mit einem Nr. 2-Kreuzschlitzschraubendreher fest.



Our Mounts. **Your Vision.**

Chief Manufacturing, a products division
of Milestone AV Technologies

8800-002348 Rev00

©2013 Milestone AV Technologies, a
Duchossois Group Company

www.chiefmfg.com

05/13

USA/International	A 6436 City West Parkway, Eden Prairie, MN 55344
	P 800.582.6480 / 952.225.6000
	F 877.894.6918 / 952.894.6918
Europe	A Franklinstraat 14, 6003 DK Weert, Netherlands
	P +31 (0) 495 580 852
	F +31 (0) 495 580 845
Asia Pacific	A Office No. 1 on 12/F, Shatin Galleria 18-24 Shan Mei Street Fotan, Shatin, Hong Kong
	P 852 2145 4099
	F 852 2145 4477

