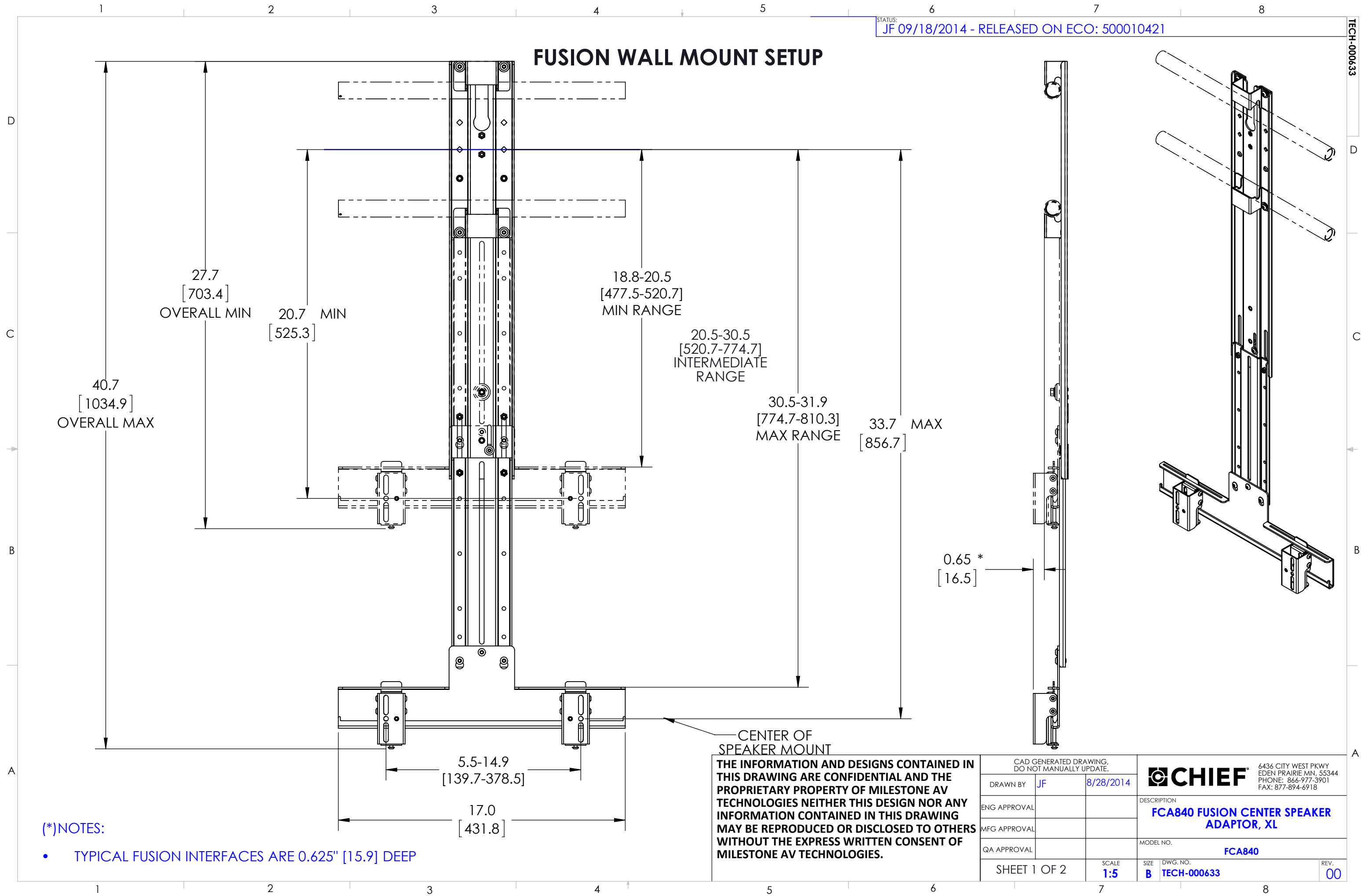


FUSION WALL MOUNT SETUP



(*)NOTES:

- TYPICAL FUSION INTERFACES ARE 0.625" [15.9] DEEP

CENTER OF SPEAKER MOUNT

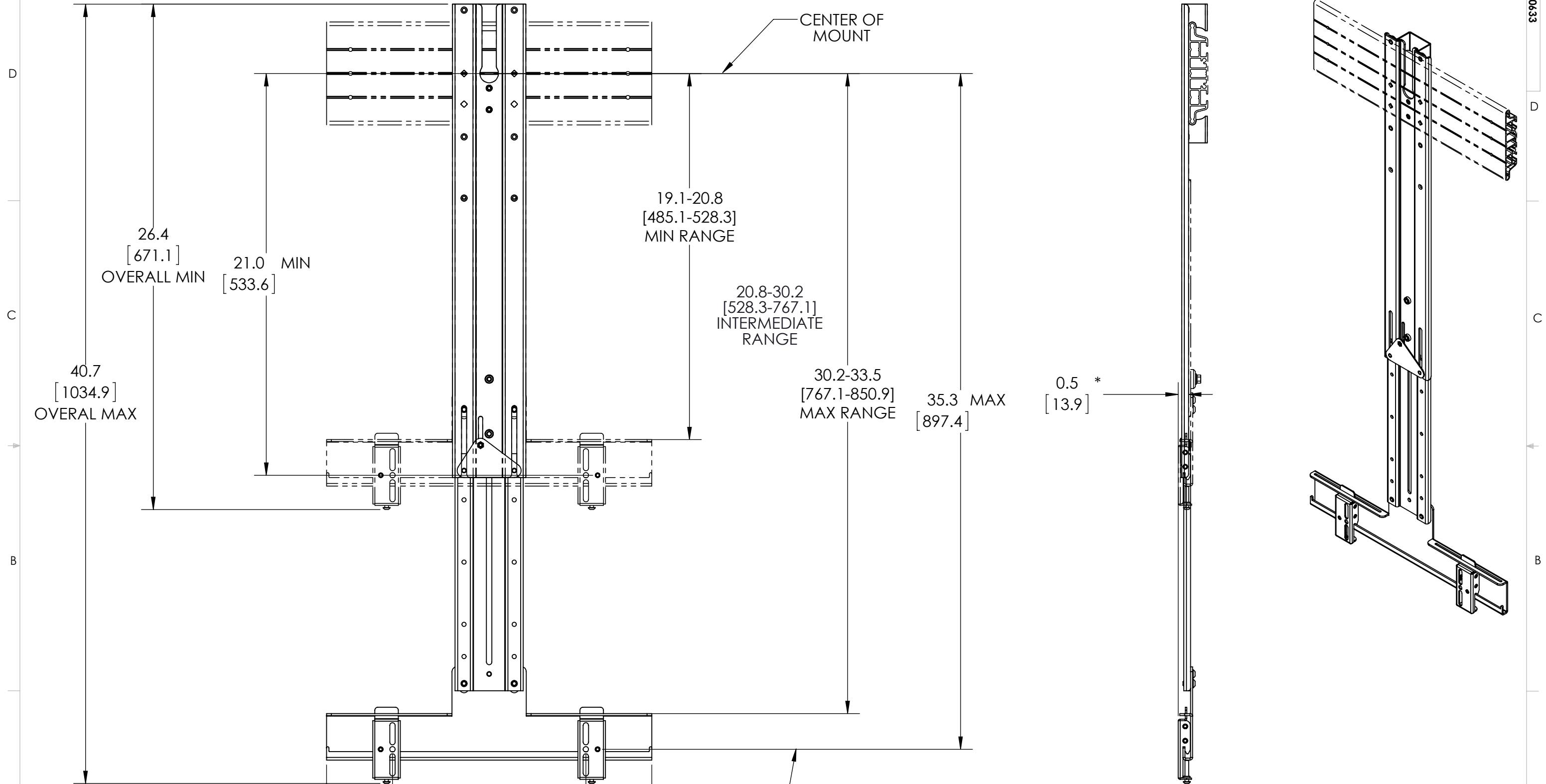
THE INFORMATION AND DESIGNS CONTAINED IN THIS DRAWING ARE CONFIDENTIAL AND THE PROPRIETARY PROPERTY OF MILESTONE AV TECHNOLOGIES NEITHER THIS DESIGN NOR ANY INFORMATION CONTAINED IN THIS DRAWING MAY BE REPRODUCED OR DISCLOSED TO OTHERS WITHOUT THE EXPRESS WRITTEN CONSENT OF MILESTONE AV TECHNOLOGIES.

CAD GENERATED DRAWING, DO NOT MANUALLY UPDATE.		CHIEF 6436 CITY WEST PKWY EDEN PRAIRIE MN, 55344 PHONE: 866-977-3901 FAX: 877-894-6918	
DRAWN BY	JF	8/28/2014	DESCRIPTION FCA840 FUSION CENTER SPEAKER ADAPTOR, XL
ENG APPROVAL			MODEL NO. FCA840
MFG APPROVAL			SCALE 1:5
QA APPROVAL			SIZE B
SHEET 1 OF 2		REV. 00	DWG. NO. TECH-000633

FUSION CEILING/CART MOUNT SETUP

STATUS: JF 09/18/2014 - RELEASED ON ECO: 500010421

TECH-000633



- (*)NOTES:
- TYPICAL SINGLE DISPLAY MODELS HAVE INTERFACE DEPTHS .5" [12.7]
 - TYPICAL DUAL DISPLAY MODELS HAVE INTERFACE DEPTHS 1.9" [48.3]
 - FCA623 DUAL MONITOR INTERFACES ARE 1.4" DEEP [35.6]

THE INFORMATION AND DESIGNS CONTAINED IN THIS DRAWING ARE CONFIDENTIAL AND THE PROPRIETARY PROPERTY OF MILESTONE AV TECHNOLOGIES NEITHER THIS DESIGN NOR ANY INFORMATION CONTAINED IN THIS DRAWING MAY BE REPRODUCED OR DISCLOSED TO OTHERS WITHOUT THE EXPRESS WRITTEN CONSENT OF MILESTONE AV TECHNOLOGIES.

CAD GENERATED DRAWING, DO NOT MANUALLY UPDATE.		6436 CITY WEST PKWY EDEN PRAIRIE MN, 55344 PHONE: 866-977-3901 FAX: 877-894-6918	
DRAWN BY	JF	8/28/2014	DESCRIPTION
ENG APPROVAL			FCA840 FUSION CENTER SPEAKER ADAPTOR, XL
MFG APPROVAL			MODEL NO.
QA APPROVAL			FCA840
SHEET 2 OF 2		SCALE	SIZE DWG. NO. REV.
		1:5	B TECH-000633 00