



Datenblatt - Fiche technique - Data sheet

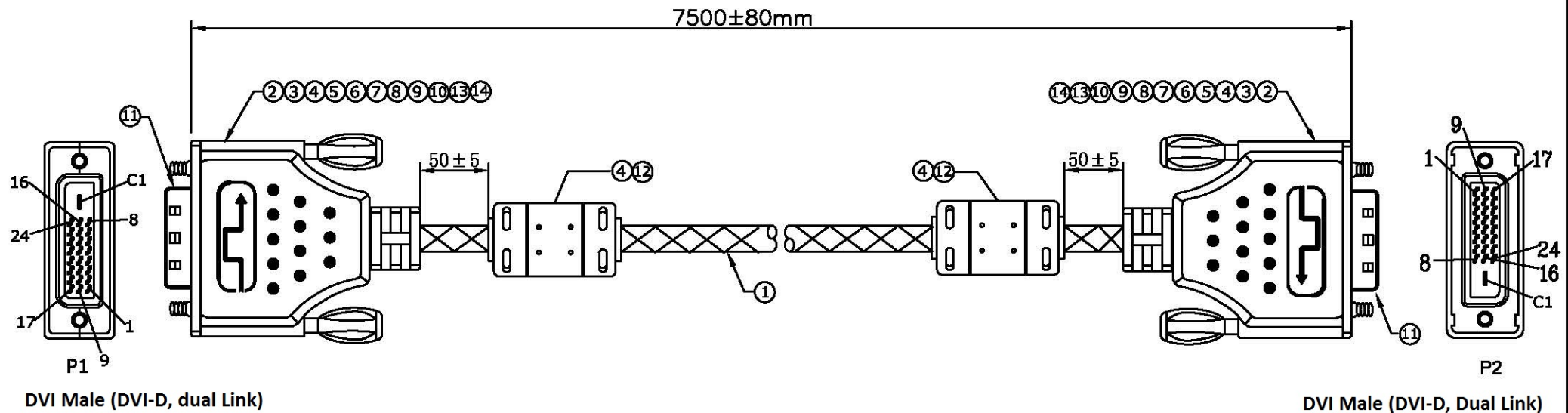
11.04.5515



**ROLINE GOLD Monitorkabel DVI, ST-ST, (24+1) dual link,
7,5 m**

**ROLINE GOLD Câble pour écran DVI, M-M, (24+1) dual link,
7,5 m**

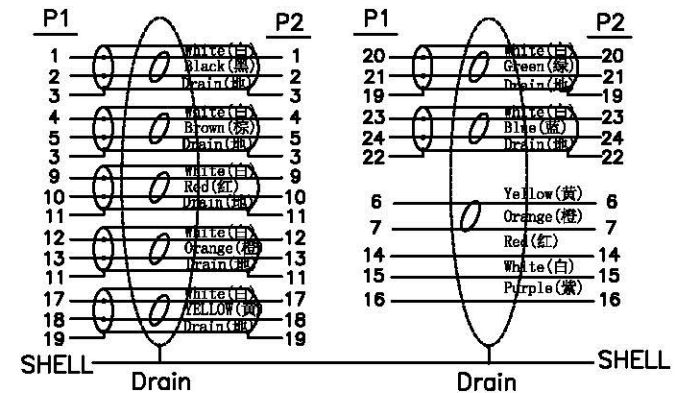
**ROLINE GOLD Monitor Cable, DVI (24+1), Dual Link,
M/M, 7.5 m**



ELECTRICAL TEST:

- 1.100% OPEN SHORT & MIS WIRE TEST
- 2.CONTACT RESISTANCE:5 OHM(MAX)
- 3.INSULATION RESISTANCE:10M OHM(MIN)
- 4.HI-POT TEST:DC 300V/10ms

PIN Assignment



14	W:22mm Double-sided conductive copper foil	0.24	M
13	ni-plaing Cable Clip OD:9.5mm	2	PCS
12	CORE 28.5*17.5*10.5MM	2	PCS
11	DVI M Transparent Dust Cover	2	PCS
10	DVI 24# Aluminum Bottom Cover Colour:Golden yellow Laser etching logo	2	PCS
9	DVI 24# Aluminum TOP Cover Colour:Golden yellow Laser etching logo	2	PCS
8	#4-40UNC 4*38.5 GOLD Screw	4	PCS
7	Thin Black heat shrinkable TUBE OD:1.5*22mm*2PCS	0.044	M
6	Thin Black heat shrinkable TUBE OD:1.0*12mm*14PCS	0.168	M
5	Thin Black heat shrinkable TUBE OD:2.5*10mm*14PCS	0.14	M
4	45P BLACK PVC	40	G
3	LD-PE Transparent	6	G
2	DVI(24+1) M SOLDER TYPE,GOLD PLATED,BLACK INSULATION	2	PCS
1	UL20276 (28AWG*1PR+EAM)*7C+28AWG*1PR+28AWG*3C+AEB(50%AL) OD:8.5MM BLACK MARK:... DVI CABLE+BLACK/GOLD web(40/3/0.2MM)	7.5	M
NO	DESCRIPTION	Q'TY	UNIT

REV.	ECN NO.	DESCRIPTION	DATE	HANDLE
		SECOMP		
		Item no.	11.04.5515	
		ROLINE GOLD DVI Cable, Dual Link M/M, 7.5m		
		SCALE	NONE	DRAWING NO:
		UNIT	MM	REV A01
		DATE	15.06.04	1/1