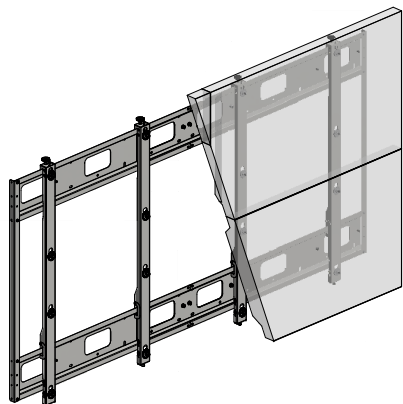
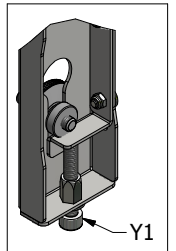
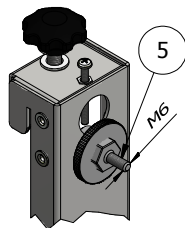


Adjustments

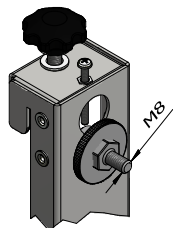


Quick mounting

**Kit Code 5502**  
Optional  
for screen Vesa M6



Equipped  
for screen Vesa M8



- Screen Array Configuration : 2x2
- Orientation :..... Landscape
- Adjustments (Y) :..... Micro-Adjustments 10mm.
- Adjustments (Y1) :..... Micro-Adjustments 15mm.
- Adjustments (X) :..... Adjustments +/- 150mm.
- Adjustments (Z) :..... Adjustments +/- 7mm.
- Mounting Pattern :..... Vesa 400x400mm./600x400mm.
- Typical Screen Sizes :..... 55"
- Weight Capacity :..... 50 Kg to Screen
- Galvanized steel shets

POS.	PART N	DESCRIPTION	QTY
1	5387	OMEGA L=1115	4
2	5404	OMEGA JUNCTION	2
3	5431	VERTICAL ANGULAR	2
4	5408	SCREEN BRACKET	4
5	5502	VESA KIT M6 PINS (OPTIONAL)	1
6	SCREEN	SCREEN 55" VESA 400x400 / 600x400	4
7			
8			