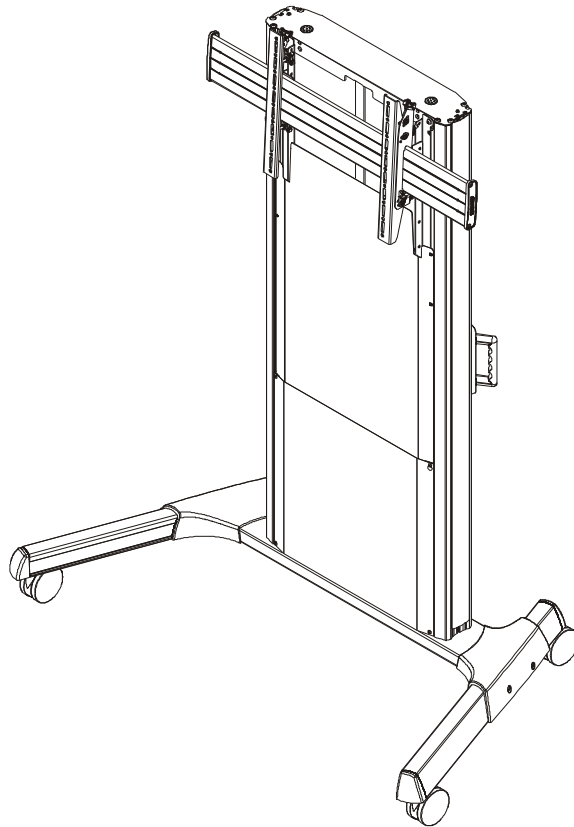


---

# INSTALLATION INSTRUCTIONS

---



---

## Dynamic Height Adjustable Video Cart

---

## DISCLAIMER

Milestone AV Technologies and its affiliated corporations and subsidiaries (collectively "Milestone"), intend to make this manual accurate and complete. However, Milestone makes no claim that the information contained herein covers all details, conditions or variations, nor does it provide for every possible contingency in connection with the installation or use of this product. The information contained in this document is subject to change without notice or obligation of any kind. Milestone makes no representation of warranty, expressed or implied, regarding the information contained herein. Milestone assumes no responsibility for accuracy, completeness or sufficiency of the information contained in this document.

Chief® is a registered trademark of Milestone AV Technologies. All rights reserved.

## DEFINITIONS

**MOUNTING SYSTEM:** A MOUNTING SYSTEM is the primary Chief product to which an accessory and/or component is attached.

**ACCESSORY:** AN ACCESSORY is the secondary Chief product which is attached to a primary Chief product, and may have a component attached or setting on it.

**COMPONENT:** A COMPONENT is an audiovisual item designed to be attached or resting on an accessory or mounting system such as a video camera, CPU, screen, display, projector, etc.



**WARNING:** A WARNING alerts you to the possibility of serious injury or death if you do not follow the instructions.



**CAUTION:** A CAUTION alerts you to the possibility of damage or destruction of equipment if you do not follow the corresponding instructions.

## IMPORTANT SAFETY INSTRUCTIONS



**WARNING:** Failure to read, thoroughly understand, and follow all instructions can result in serious personal injury, damage to equipment, or voiding of factory warranty! It is the installer's responsibility to make sure all mounting systems/accessories are properly assembled and installed using the instructions provided.



**WARNING:** Failure to provide adequate structural strength for this mounting system can result in serious personal injury or damage to equipment! It is the installer's responsibility to make sure the structure to which this mounting system is attached can support five times the combined weight of all equipment. Reinforce the structure as required before installing the mounting system.



**WARNING:** Use this mounting system only for its intended use as described in these instructions. Do not use attachments not recommended by the manufacturer.



**WARNING:** Never operate this mounting system if it is damaged. Return the mounting system to a service center for examination and repair.



**WARNING:** Do not use this product outdoors.



**WARNING:** RISK OF INJURY TO PERSONS! Do not place video equipment such as televisions or computer monitors on cart legs.



**WARNING:** Exceeding the weight capacity can result in serious personal injury or damage to equipment! It is the installer's responsibility to make sure the combined weight of all accessories and components attached to the MPD1U/LPD1U head assembly up to (and including) the display falls within the specific weight range listed in the table below. Use with heavier televisions may result in instability causing tip over resulting in death or serious injury! The height adjustable feature of this cart will not function properly if the weight is not within the ranges listed below.

MODEL	Minimum Weight Allowed	Max Weight Allowed
MPD1U	67 lbs (30.4 kg)	130 lbs (58.9 kg)
LPD1U	122 lbs (55.4 kg)	175 lbs (79.4 kg)



**WARNING:** RISK OF SERIOUS INJURY OR DEATH! Placing a remote control or toy on the cart may encourage a child to climb onto the cart causing the cart to tip over onto the child. DO NOT place remote controls or toys on the cart!



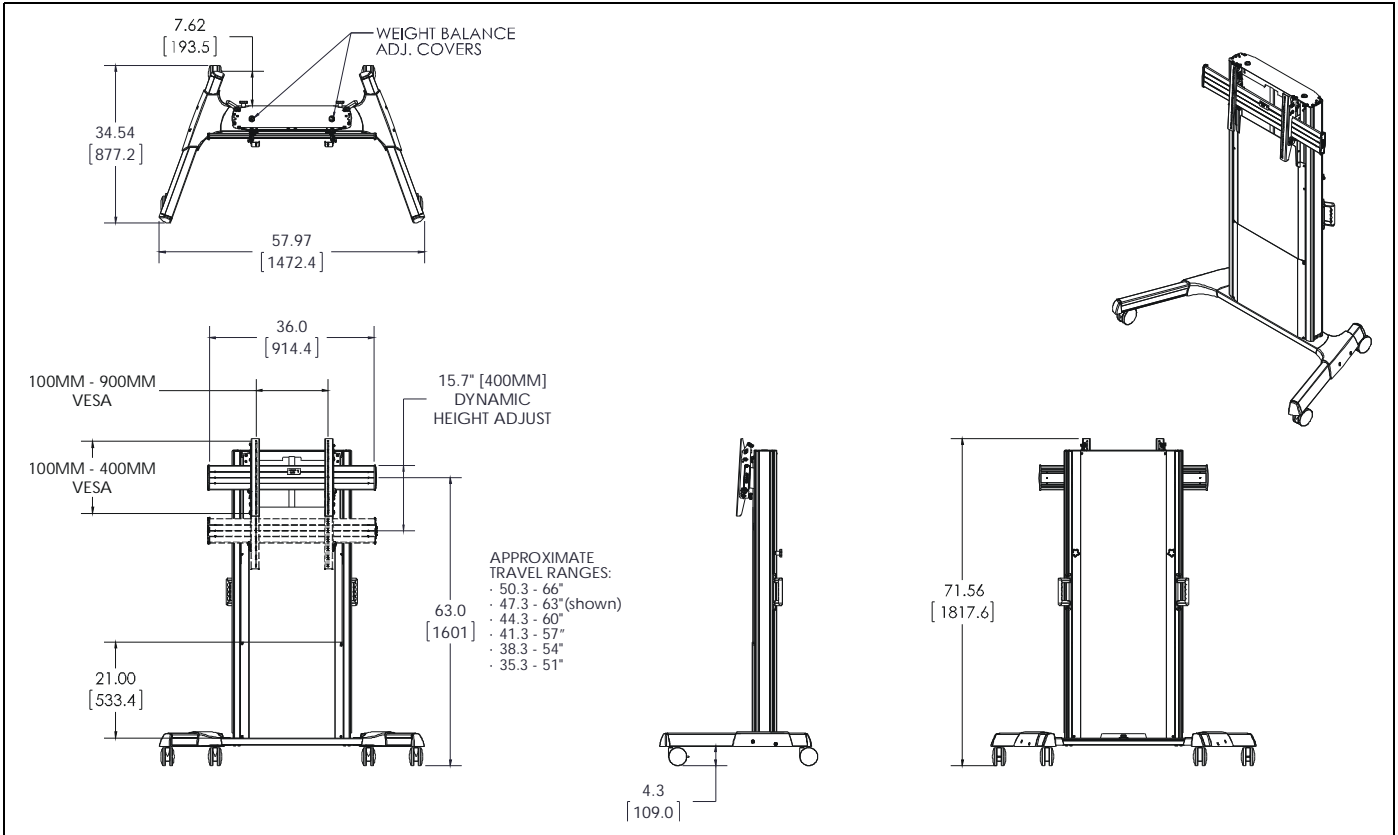
**WARNING:** RISK OF SERIOUS INJURY OR DEATH! Relocating audio and/or video equipment to the cart may result in the cart collapsing or overturning onto a child. DO NOT relocate audio and/or video equipment to the cart!

**NOTE:** The MPD1U/LPD1U cart has no user serviceable parts.

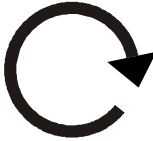

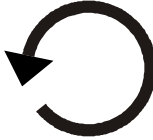









**NOTE:** The MPD1U/LPD1U cart can support screen sizes up to a maximum of 100" wide.

**--SAVE THESE INSTRUCTIONS--**

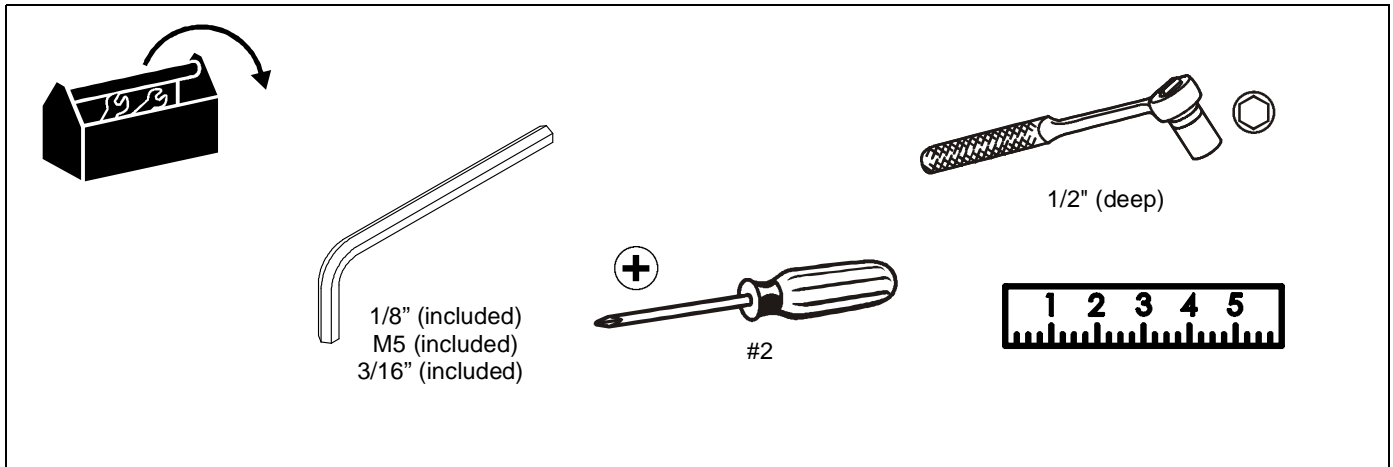
### DIMENSIONS



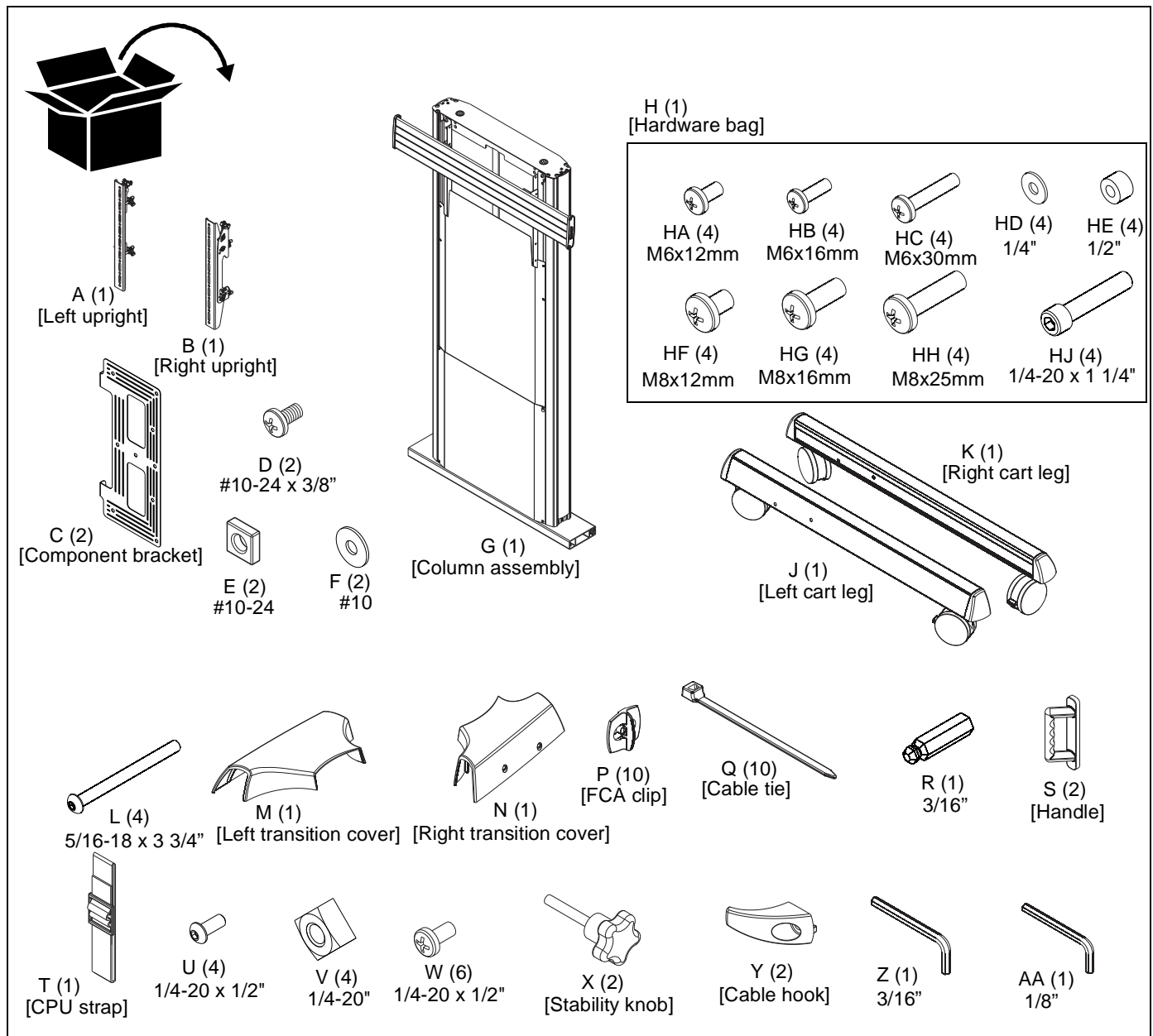
## LEGEND

	<b>Tighten Fastener</b> Apretar elemento de fijación Befestigungsteil festziehen Apertar fixador Serrare il fissaggio Bevestiging vastdraaien Serrez les fixations		<b>Pencil Mark</b> Marcar con lápiz Stiftmarkierung Marcar com lápis Segno a matita Potloodmerkteken Marquage au crayon
	<b>Loosen Fastener</b> Aflojar elemento de fijación Befestigungsteil lösen Desapertar fixador Allentare il fissaggio Bevestiging losdraaien Desserrez les fixations		<b>Drill Hole</b> Perforar Bohrloch Fazer furo Praticare un foro Gat boren Percez un trou
	<b>Phillips Screwdriver</b> Destornillador Phillips Kreuzschlitzschraubendreher Chave de fendas Phillips Cacciavite a stella Kruiskopschroevendraaier Tournevis à pointe cruciforme		<b>Adjust</b> Ajustar Einstellen Ajustar Regolare Afstellen Ajuster
	<b>Open-Ended Wrench</b> Llave de boca Gabelschlüssel Chave de bocas Chiave a punte aperte Steeksleutel Clé à fourche		<b>Remove</b> Quitar Entfernen Remover Rimuovere Verwijderen Retirez
	<b>By Hand</b> A mano Von Hand Com a mão A mano Met de hand À la main		<b>Optional</b> Opcional Optional Opcional Opzionale Optie En option
	<b>Hex-Head Wrench</b> Llave de cabeza hexagonal Sechskantschlüssel Chave de cabeça sextavada Chiave esagonale Zeskantsleutel Clé à tête hexagonale		<b>Security Wrench</b> Llave de seguridad Sicherheitsschlüssel Chave de segurança Chiave di sicurezza Veiligheidssleutel Clé de sécurité

**TOOLS REQUIRED FOR INSTALLATION**



**PARTS**



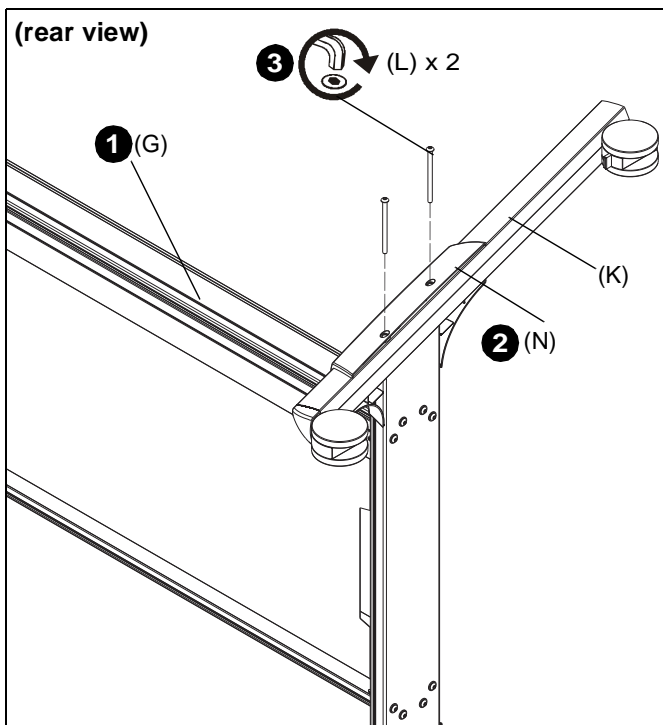
## Assembly And Installation



**CAUTION:** Attachment holes may be damaged if a power drill is used to insert button head cap screws. Screws should first be inserted and turned **BY HAND** with the hex key or with a hand-held screwdriver **BEFORE** using the hex head drill bit and power drill to complete the attachment.

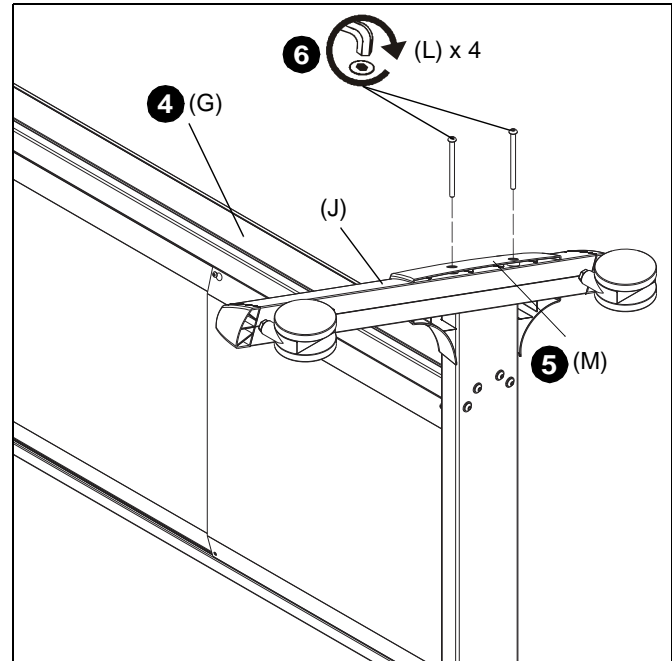
### Cart Assembly

1. Carefully set column assembly (G) on its left side. (See Figure 1)
2. Place right transition cover (N) on right cart leg (K), lining up the holes on the cover with the holes on the leg and column assembly base. (See Figure 1)
3. Use two 5/16-18 x 3 3/4" button head cap screws (L) to secure leg (K) and cover (N) to column assembly (D). (See Figure 1)



**Figure 1**

4. Turn column assembly (G) onto its right side. (See Figure 2)
5. Place left transition cover (M) on left cart leg (J), lining up the holes on the cover with the holes on the leg and column assembly base. (See Figure 2)
6. Use two 5/16-18 x 3 3/4" button head cap screws (L) to secure leg (J) and cover (M) to column assembly (G). (See Figure 2)



**Figure 2**

## Display Installation

**NOTE:** Vertical positioning on mount can be adjusted prior to installing display. See "Vertical Positioning Adjustment" Section for details.

1. Place display face down on a soft, non-abrasive surface.

**NOTE:** For best access, route display cables through columns prior to display installation. See Cable Management section for details.



**CAUTION:** Using screws of improper diameter may damage your display! Proper screws will easily thread into display mounting holes.

2. Select screw *diameter* by examining hardware (HA-HC and HF-HH) (6mm or 8mm) and comparing with mounting holes on display. (See Figure 3)
3. Select spacers:
  - If mounting holes are not recessed and interface brackets (A and B) can lay flat against display, then no spacers are required.
  - If mounting holes are recessed, or if protrusions prevent brackets (A and B) from laying flat, then spacers (HE) must be used.



**CAUTION:** Using screws of improper length may damage your display! Proper screws will have adequate thread engagement without contacting bottom of display mounting holes.

4. Select screw *length*: (See Figure 3)
  - Using your hand, insert **SHORTEST** length screw of selected diameter (HA or HF) through 1/4" washer (HD), bracket (A or B), selected spacer (HE, if required), into display mounting hole. Do **NOT** thread screw into hole at this time.
  - Proper screw length requires base of screw head to protrude above flat washer a *distance equal to or greater than the screw diameter*. If screw length is inadequate, select longer screw. Select *shortest* screw which will protrude the required distance.
5. Use selected screws (HA-HC or HF-HH), washers (HD) and spacers (HE), if necessary, to connect interface brackets (A and B) to back of display. Make sure diamond on interface brackets is even with center of display. (See Figure 3)

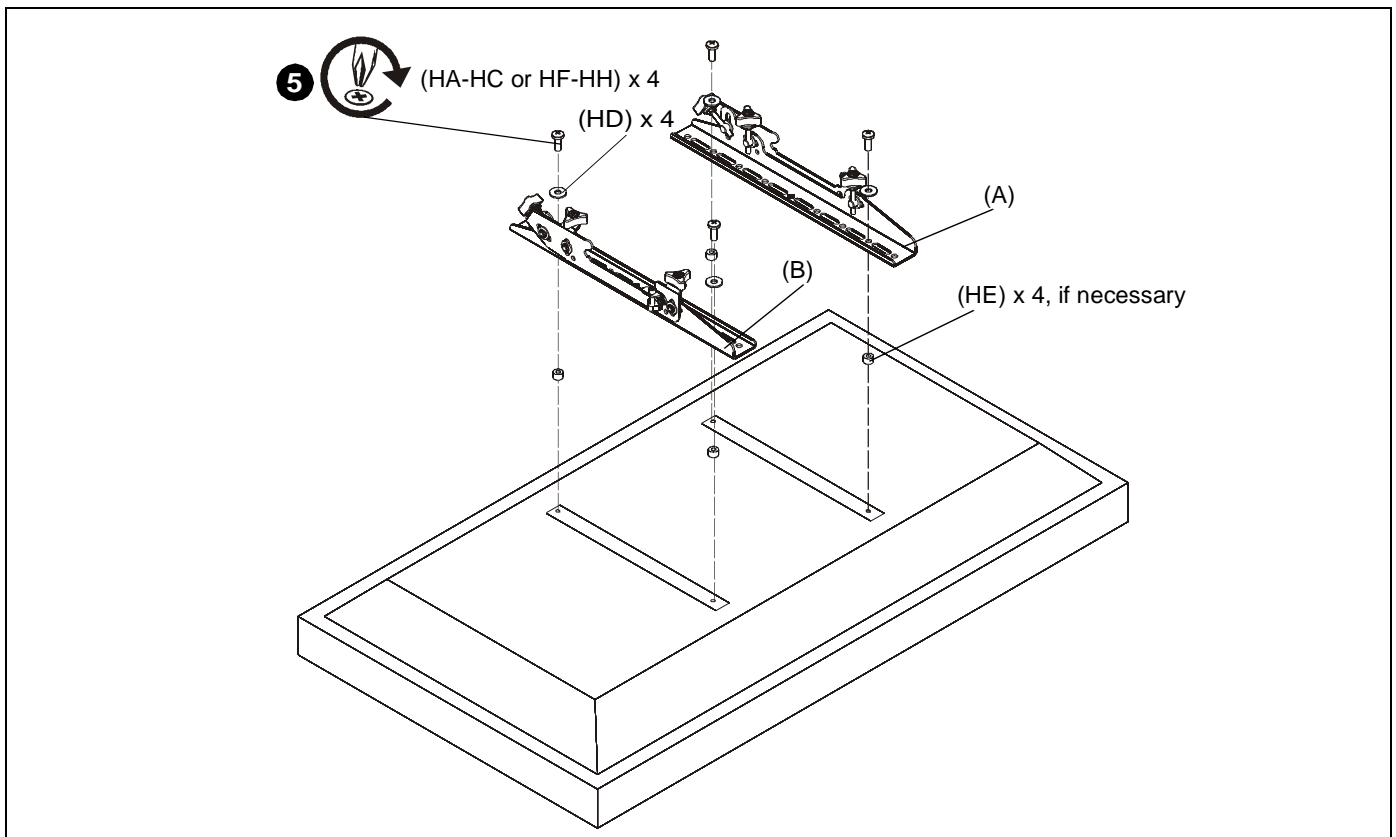


Figure 3

**⚠ WARNING:** Exceeding the weight capacity can result in serious personal injury or damage to equipment! It is the installer's responsibility to make sure the combined weight of all accessories and components attached to the MPD1U/LPD1U head assembly up to (and including) the display falls within the specific weight range listed in the table below. Use with heavier televisions may result in instability causing tip over resulting in death or serious injury! The height adjustable feature of this cart will not function properly if the weight is not within the ranges listed below

MODEL	Minimum Weight Allowed	Max Weight Allowed
MPD1U	67 lbs (30.4 kg)	130 lbs (58.9 kg)
LPD1U	122 lbs (55.4 kg)	175 lbs (79.4 kg)

**⚠ WARNING:** DISPLAYS MAY WEIGHT IN EXCESS OF 40 LBS! Always use two people and proper lifting techniques when installing or positioning display on cart.

6. Hang interface brackets (A and B) to display rails. (See Figure 4)
7. Use 1/4-20 x 1 1/4" socket head cap screws (HI) to secure interface brackets (A and B) to rails for each display. Screws must engage through both holes to be fully secured. (See Figure 4)

**NOTE:** Display positions may need to be adjusted after height and/or plumb adjustments in order to maintain desired alignment.

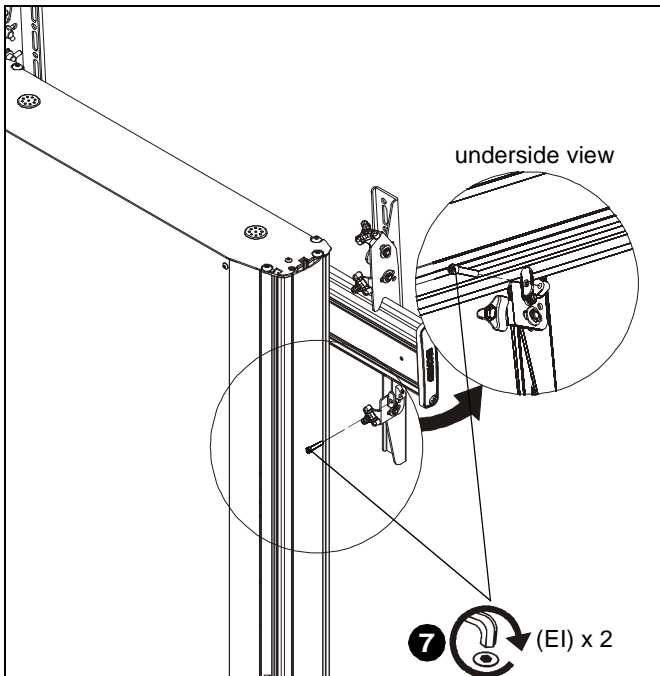


Figure 4

**⚠ WARNING:** In order to ensure an even mount and prevent cart from tipping over, uprights MUST be centered over column assembly. Do NOT install both uprights to the same side of column assembly! (See Figure 5)

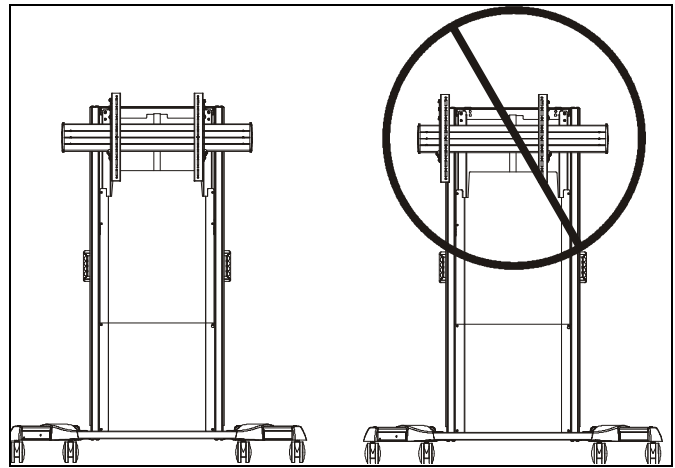


Figure 5

**Component Bracket Installation (Optional)**

**NOTE:** Component bracket may be installed to either side of column.

**NOTE:** Lower cover must be removed to install component bracket. See Cover Removal section for details.

1. Loosely install two #10-24 x 3/8" Phillips head machine screws (D) through two #10 washers (F), holes in component bracket (C) and into two #10-24 square nuts (E). (See Figure 6)
2. Insert two #10-24 square nuts (E) into two openings on column channel. (See Figure 6)
3. Lift component bracket (C) to desired mounting position. (See Figure 6)
4. Tighten screws to secure in position. (See Figure 6)

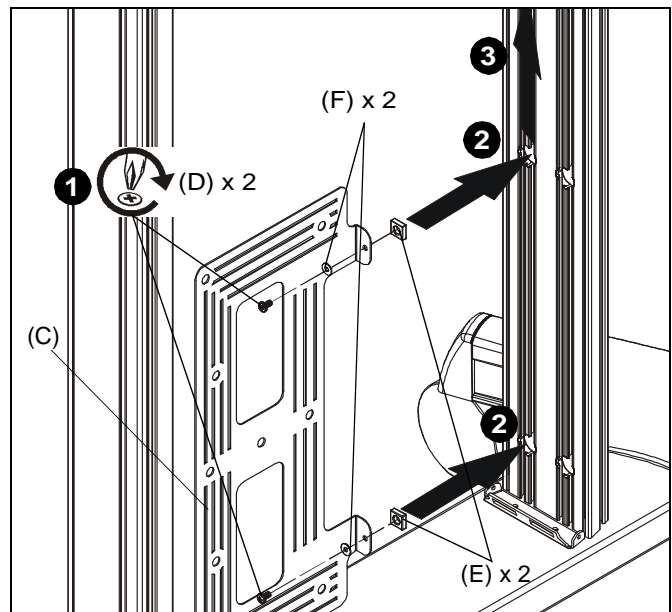


Figure 6





**WARNING:** Exceeding the weight capacity can result in serious personal injury or damage to equipment! It is the installer's responsibility to make sure the combined weight of all accessories and components installed to the component bracket (C) does not exceed 10 lbs (4.54 kg). Exceeding the weight capacity may result in damage to the equipment or components!

**IMPORTANT ! :** Do NOT attach component bracket too high on column or above height adjustment mechanism or it could interfere with the height adjustment mechanism. See Height Adjustment Section for details.

5. Install components to component bracket as desired using cable ties (Q) or screws. (See Figure 7)

**NOTE:** Component bracket is designed to mount small audio/video components such as power strips, media players, etc.

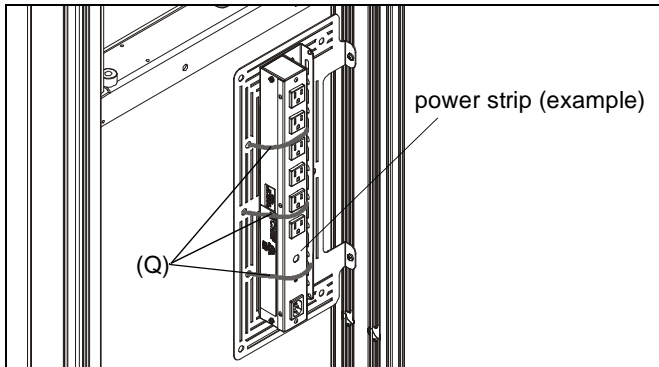


Figure 7

**CPU Installation (Optional)**

**NOTE:** Lower cover must be removed to install component bracket. See Cover Removal section for details.

1. Route CPU strap (T) through hole on lower bracket and around CPU to secure CPU to column base. (See Figure 8)



**WARNING:** Exceeding the weight capacity can result in serious personal injury or damage to equipment! It is the installer's responsibility to make sure the combined weight of all accessories and components installed to the lower bracket does not exceed 20 lbs (9.07 kg). Exceeding the weight capacity may result in damage to the equipment or components!

**NOTE:** CPU strap is designed for use with larger non-rack mountable CPU's or audio/video components.

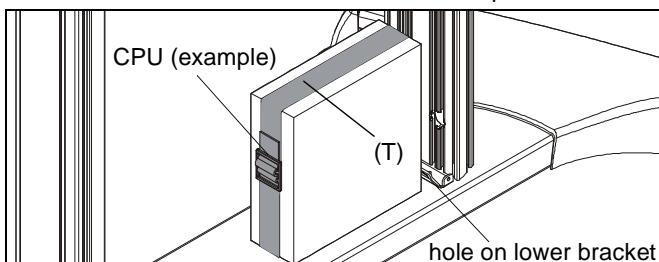


Figure 8

**Handle Installation**

1. Loosely install two 1/4-20 x 1/2" button head cap screws (U) through holes in each handle (S) and into 1/4-20 square nuts (V). (See Figure 9)
2. Slide each handle into slots back of cart. (See Figure 9)

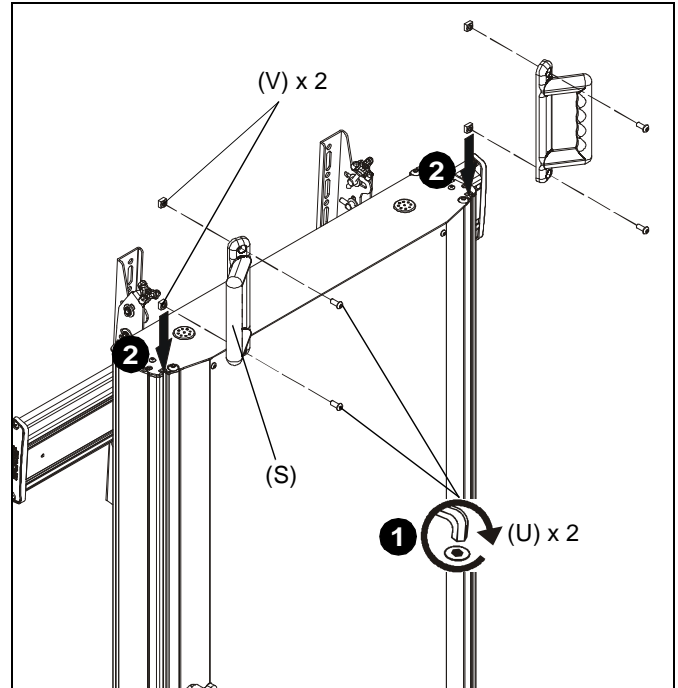


Figure 9

3. Adjust handles to desired height. (See Figure 10)
4. Tighten two screws on each handle to lock handles at desired positions. (See Figure 10)

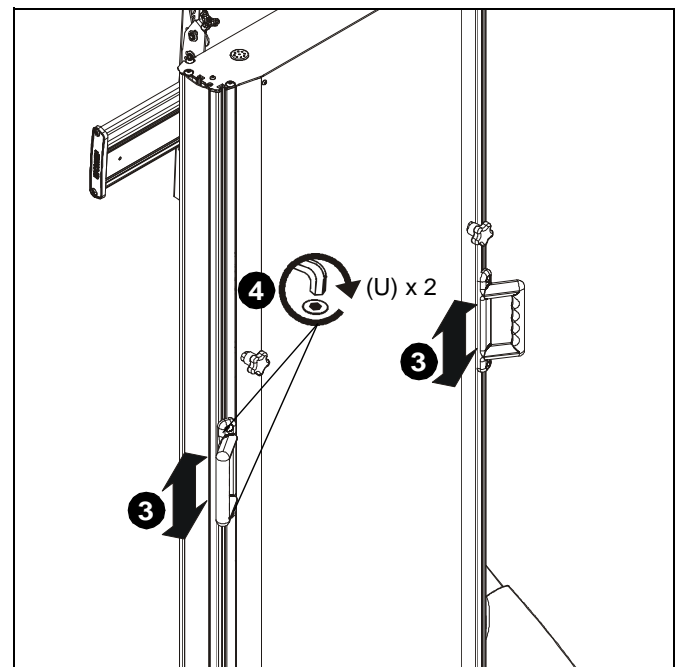


Figure 10

### Cover Removal/Access/Re-install

**NOTE:** The lower front cover comes with four button head cap screws installed to provide additional security. But to have quick access to the interior of the cart, these screws do NOT need to be re-installed as the door can be closed using the magnets inside the door.

1. Remove four button head cap screws holding lower front cover to cart. (See Figure 11)
2. Pull lower front cover away from cart. (See Figure 11)

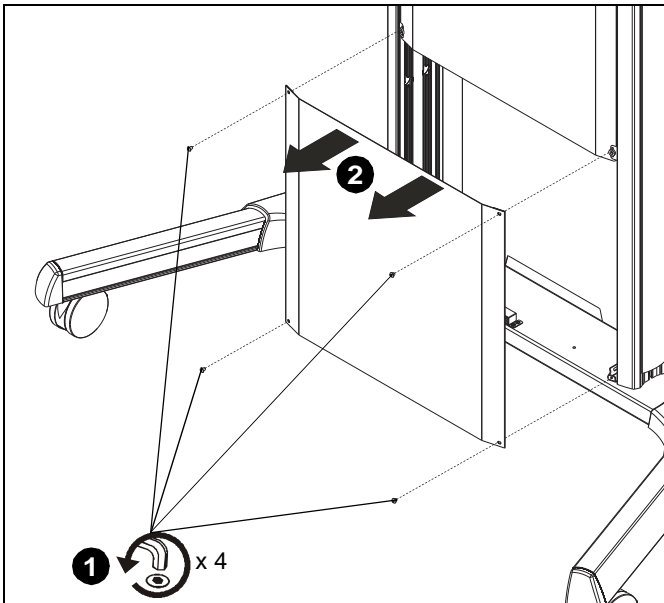


Figure 11

3. Install accessories and components as desired.
4. Install lower front cover back on cart using magnets. (See Figure 12)
5. (Optional) Re-install four button head cap screws if additional security is desired. (See Figure 12)

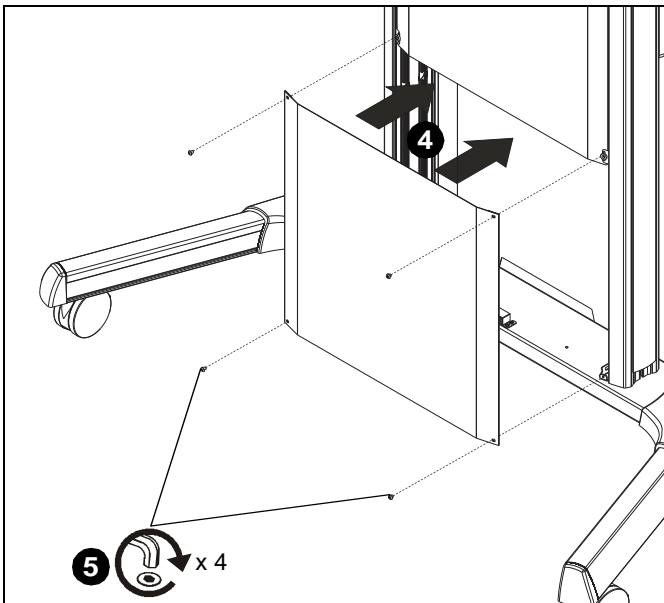


Figure 12

### Vertical Positioning Adjustment

Vertical position may be adjusted prior to installing displays. Do NOT attempt to adjust position with the display installed!

1. Remove four screws and nuts holding head assembly to vertical brackets on mount. (See Figure 13)
2. Adjust height of head assembly up or down lining up the holes on the brackets as desired. (See Figure 13)
3. Reinstall four screws and nuts removed in Step 1 to secure head assembly to vertical brackets on mount. (See Figure 13)

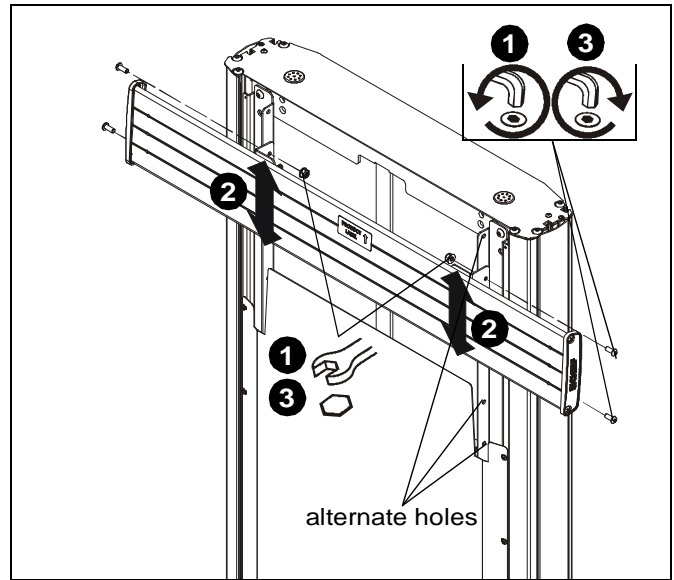


Figure 13

### Cable Management

**NOTE:** The following cable management options may vary based on type of display being mounted and user preference.

1. Place FCA clip (P) into groove on back of Fusion mount with clip handle in a vertical position. (See Figure 14)
2. Rotate FCA clip (P) 90° in either direction until clip handle is in a horizontal position. (See Figure 14)
3. Repeat Steps 2-3 for all clips to be installed.

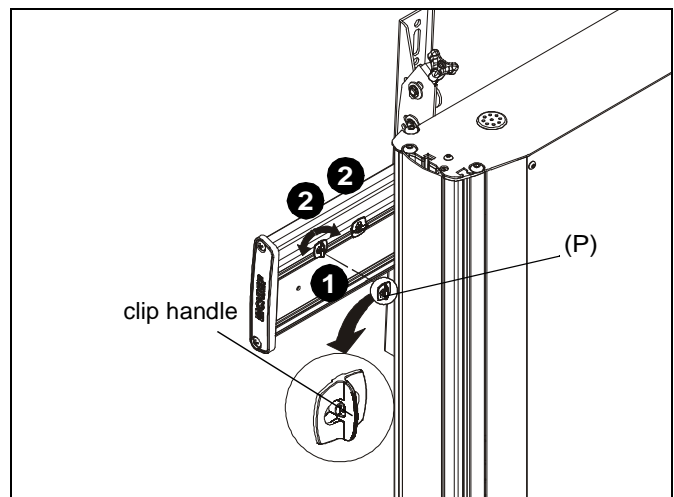


Figure 14

4. Route cables along FCA clips (P) to be used for cable management. (See Figure 15)
5. Use cable ties (Q) to secure cables to FCA clips. (See Figure 15)

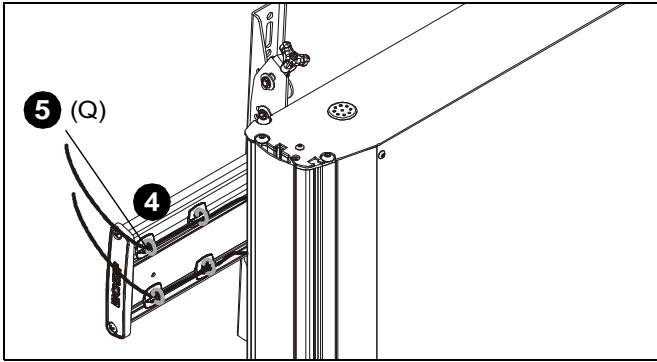


Figure 15

6. Route cables from display through inside of column assembly attaching at cable management attachment points and/or accessory bracket using cable ties (Q) as desired. (See Figure 16)

**IMPORTANT !** : Route cables when display is at its highest point and make sure enough slack exists so that height may be adjusted without straining the cables!

7. Route cables out through the slot on the back of the cart. (See Figure 16)

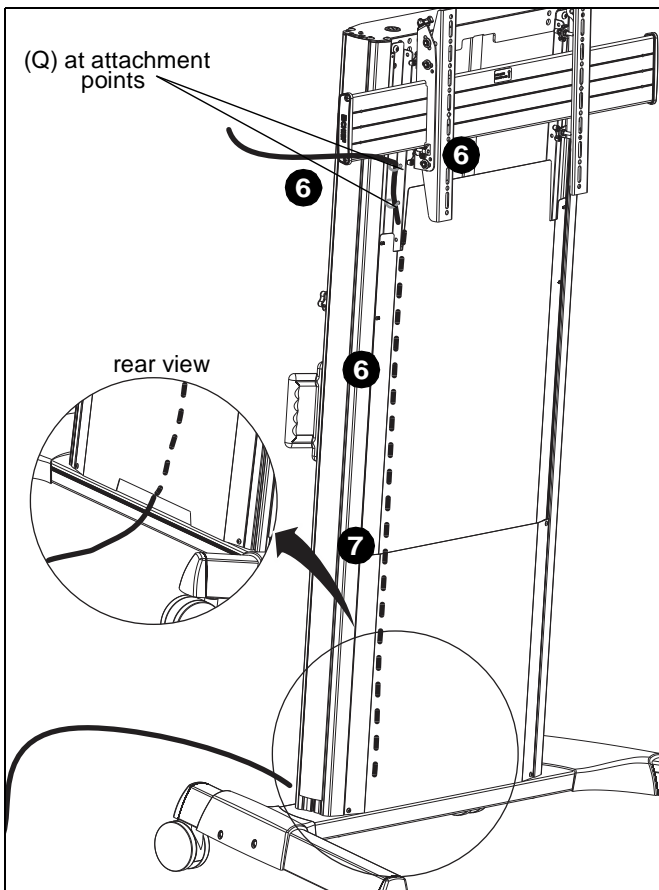


Figure 16

8. Use two 1/4-20 x 1/2" Phillips pan machine screws (W) to attach two cable hooks (Y) to bottom of column assembly (G). (See Figure 17)
9. Wrap cables around cable hooks if desired.

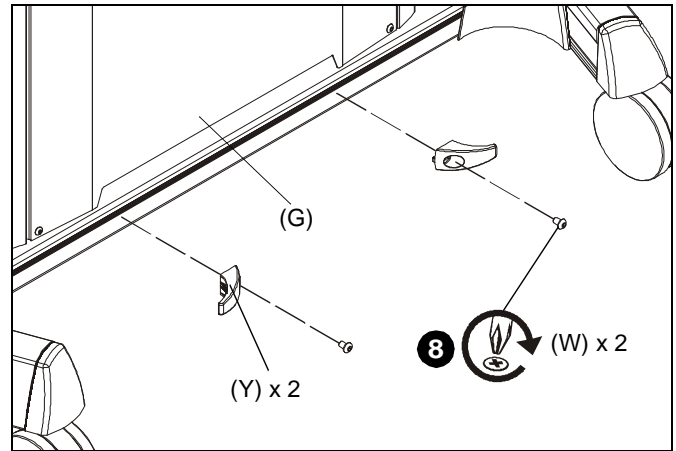


Figure 17

### Adjustments

#### Height Adjustment

1. Height may be adjusted up or down by manually adjusting height of head assembly. (See Figure 18)
2. To adjust tension:
  - a. Remove two tension covers. (See Figure 18)
  - b. Use 1/2" deep socket wrench to increase or decrease tension. Turn screw clockwise to increase tension and counterclockwise to decrease tension. (See Figure 18)
  - c. Replace two tension covers.
4. (Optional) Install two stability knobs (X) on either side of the back of cart to further stabilize height adjustment. (See Figure 18)

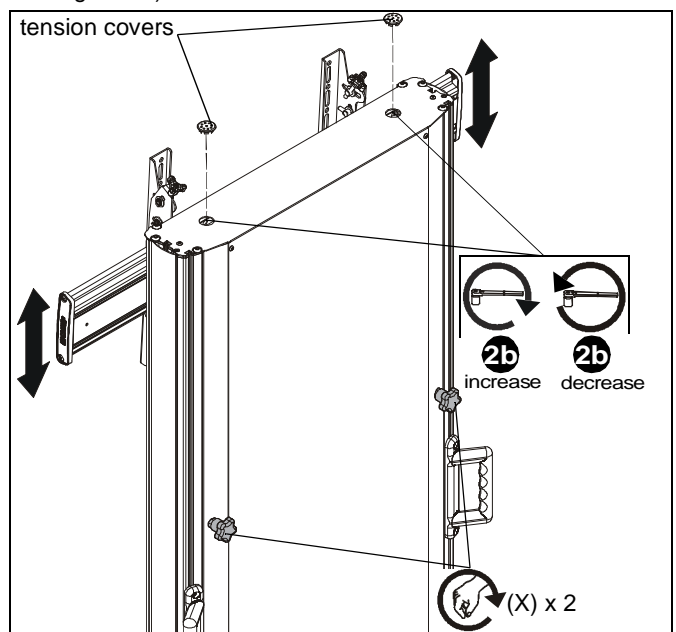


Figure 18

### Adjustments - Display only

**NOTE:** These adjustment are ONLY to adjust the height and plumb of the display, not entire head assembly.

#### Height Adjustment (Display only)

1. Use upper knob on back of interface brackets (A and B) to adjust the height of the display. (See Figure 19)

**NOTE:** Adjust both brackets in order to maintain a level mount.

#### Plumb Adjustment

2. Use middle and lower knobs on back of interface brackets (A and B) to make plumb adjustments to display (See Figure 19)

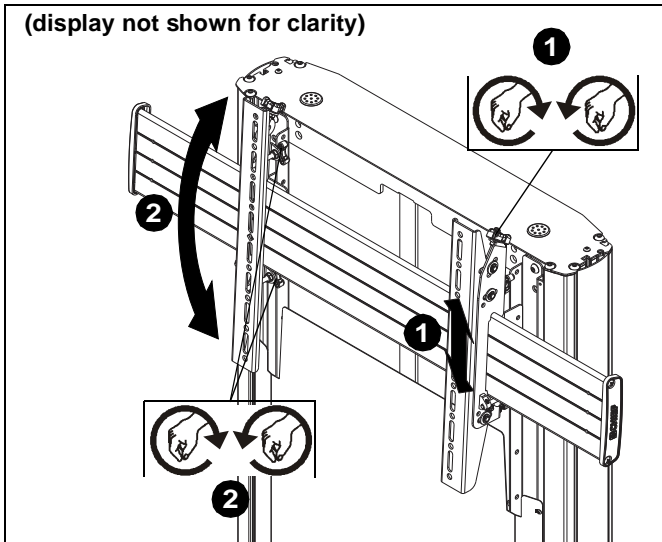


Figure 19

### Cart Use and Maintenance

**WARNING:** Exceeding the weight capacity can result in serious personal injury or damage to equipment! It is the installer's responsibility to make sure the combined weight of all accessories and components attached to the MPD1U/LPD1U head assembly up to (and including) the display falls within the specific weight range listed in the table below. Use with heavier televisions may result in instability causing tip over resulting in death or serious injury! The height adjustable feature of this cart will not function properly if the weight is not within the ranges listed below.

MODEL	Minimum Weight Allowed	Max Weight Allowed
MPD1U	67 lbs (30.4 kg)	130 lbs (58.9 kg)
LPD1U	122 lbs (55.4 kg)	175 lbs (79.4 kg)

**WARNING:** RISK OF SERIOUS INJURY OR DEATH!  
Placing a remote control or toy on the cart may encourage a child to climb onto the cart causing the cart to tip over onto the child. DO NOT place remote controls or toys on the cart!

**WARNING:** RISK OF SERIOUS INJURY OR DEATH!  
Relocating audio and/or video equipment to the cart may result in the cart collapsing or overturning onto a child. DO NOT relocate audio and/or video equipment to the cart!

**WARNING:** CART CAN TIP OVER RESULTING IN INJURY!  
Do not allow children under 16 to move cart. Only adults should move this cart. Move cart slowly. Apply moving force on narrow dimension. Never apply force at top - always push toward the middle. Push, don't pull cart. (See Figure 20)

**NOTE:** The MPD1U/LPD1U cart has no user serviceable parts.

**NOTE:** The MPD1U/LPD1U cart can support screen sizes up to a maximum of 100" wide.

1. Always place cart on a level surface.

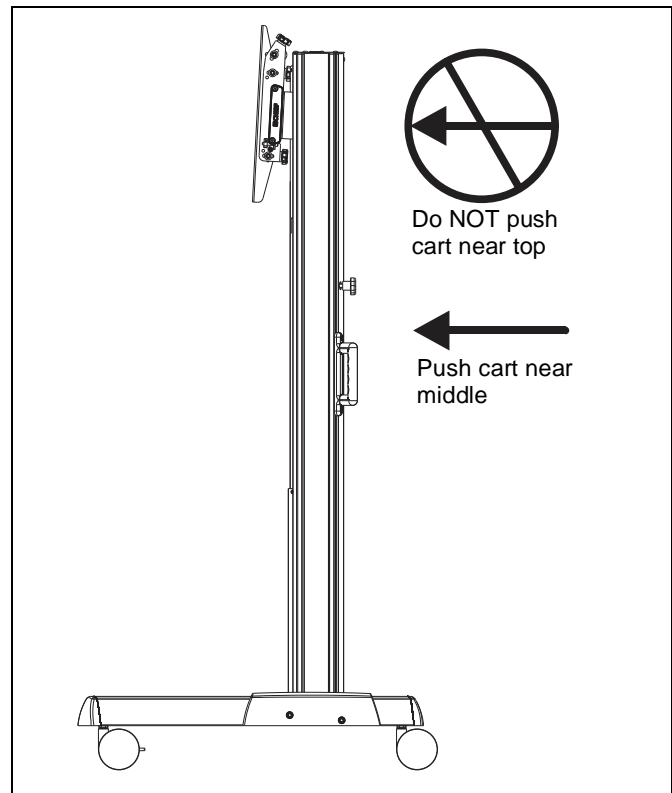
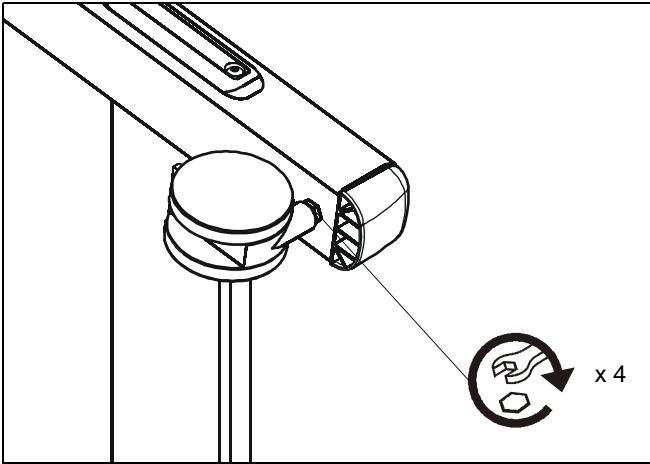


Figure 20

2. Always lock the wheels when the cart is not moving.
3. Check and tighten the hex nuts on the casters occasionally. (See Figure 21) These should be checked especially after use on uneven ground.



**Figure 21**







Our Mounts. **Your Vision.**

Chief, a products division of  
Milestone AV Technologies

8800-002839 Rev01  
©2016 Milestone AV Technologies  
[www.milestone.com](http://www.milestone.com)  
06/16

<b>USA/International</b>	<b>A</b> 6436 City West Parkway, Eden Prairie, MN 55344 <b>P</b> 800.582.6480 / 952.225.6000 <b>F</b> 877.894.6918 / 952.894.6918
<b>Europe</b>	<b>A</b> Franklinstraat 14, 6003 DK Weert, Netherlands <b>P</b> +31 (0) 495 580 852 <b>F</b> +31 (0) 495 580 845
<b>Asia Pacific</b>	<b>A</b> Office No. 918 on 9/F, Shatin Galleria 18-24 Shan Mei Street Fotan, Shatin, Hong Kong <b>P</b> 852 2145 4099 <b>F</b> 852 2145 4477

