

FITUP

Universal table top TV mount



ERARD®

FiTUP

Universal table top TV mount

Replaces the original base



Permits to place a sound bar under the screen

2 Sizes adaptable to all screens from 20" to 65"



FiTUP XL



FiTUP L

FiTUP L


Ref. **035300**

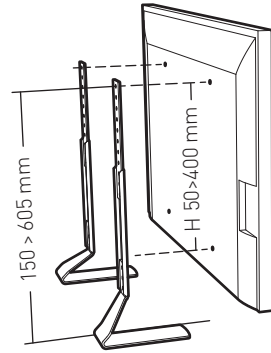
EAN 318528 035300 2

- Adaptable to all screens from 20" to 50"
- Screen height adjustment
- Maximum load : 20 kg
- Steel, 5 mm thick
- Silver and black epoxy painting

L 20"-50"
51-127cm

MAXI : 20 KG / THICKNESS 50MM

 VESA L50... x H50>400



FiTUP XL

Ref. **035310**

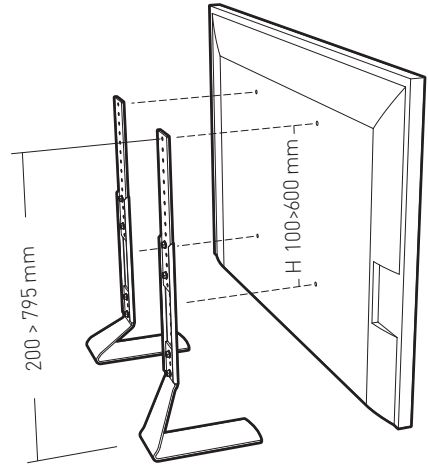
EAN 318528 035310 1

- Adaptable to all screens from 40" to 65"
- Screen height adjustment
- Maximum load : 30 kg
- Steel, 5 mm thick
- Silver and black epoxy painting

XL 40"-65"
102-165cm

MAXI : 30 KG / THICKNESS 50MM

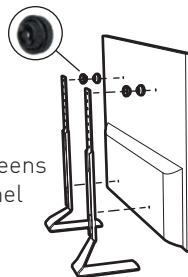
 VESA L100... x H100>600



OPTION

KIT TV ADAPT+
REF : 049592

Adaptation kit for screens
with uneven back panel



10 YEARS GUARANTEE

ORIGINE
FRANCE
GARANTIE

BY Cert. 6164725



**Catalogues Supports et Meubles
pour écrans plats**

Mounts and furniture for flat
screens Catalogue
Katalog Halterungen und Möbel für
Flachbildschirme



**Catalogue Systèmes de fixation
pour antennes et paraboles**

Mounting systems for antennas
and satellite dishes Catalogue
Katalog Befestigungssysteme für
Antennen und Satellitenschüsseln



**Catalogue Systèmes de Connexion
Grand Public et Professionnels**

Connection systems catalogue
Katalog für Anschluss-Systeme



Catalogue ERARD Pro

ERARD Pro Catalogue
Katalog Erard Pro

ERARD®

ESSENTIAL ACCESSORIES
FOR AUDIO VIDEO COMPONENTS

Mail : export@erard.fr / www.erard.com / Tel : +33 (0)4 72 46 16 26 / Fax : +33 (0)4 72 46 16 22

VAT number : FR 81 403 591 415

Z.I. de Chavanoz / 4 route de la Plaine / 38230 CHAVANOZ / FRANCE

