



Datenblatt - Fiche technique - Data sheet

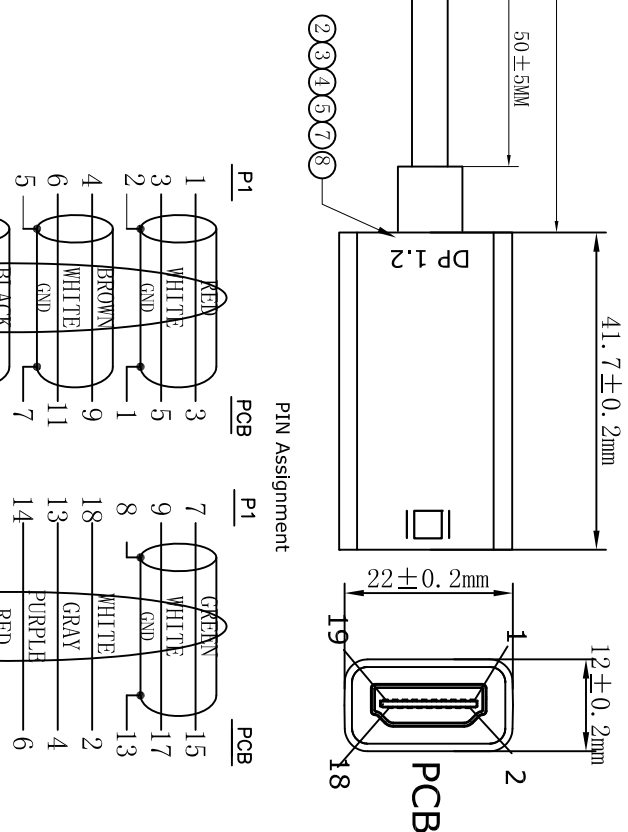
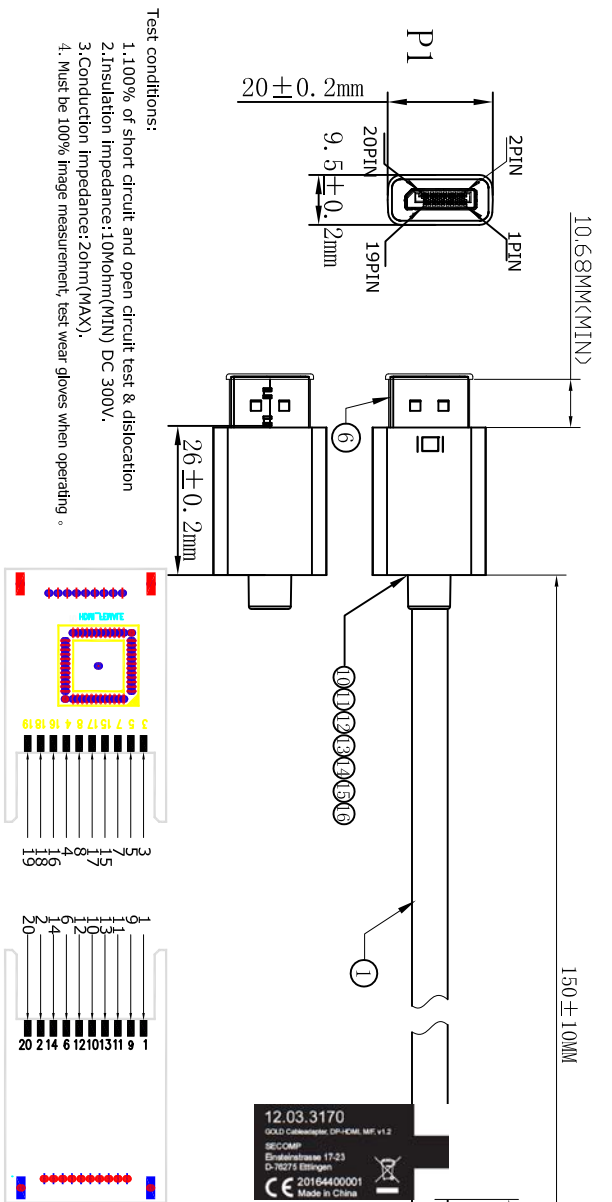
12.03.3170



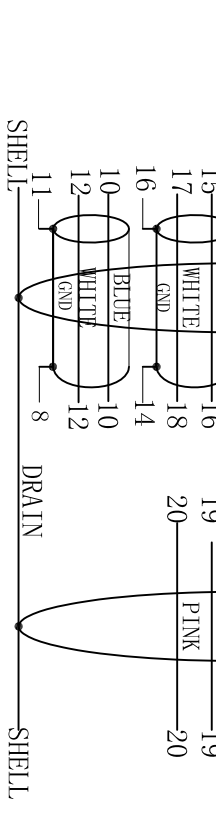
ROLINE GOLD 4K2K DisplayPort-HDMI Adapter, Aktiv, v1.2, DP ST - HDMI BU

ROLINE GOLD 4K2K Adaptateur DisplayPort - HDMI, actif, v1.2, DP M-HDMI F

ROLINE GOLD 4K2K Adapter, active, v1.2, DP-HDMI, M/F



Test conditions:
 1. 1.00% of short circuit and open circuit test & dislocation
 2. Insulation Impedance: 10MΩhm(MIN) DC 300V.
 3. Conduction Impedance: 20hm(MAXY).
 4. Must be 100% Image measurement, test wear gloves when operating.



16	DP M(HN-XM-856)One-piece former head of the glossy ~ ABS material to golden paint	1	pcs
15	DP M(HN-XM-856)One-piece shell glossy ~ ABS material to gold spray paint color~OD: 6.4MM~PRINT: H1 (COOL 8C)	1	pcs
14	φ 1.5 black heat shrinkable casing	0.017	m
13	W=18mm 25u Double conductive copper foil	0.06	m
12	Display/Port Port M Wire automatic welding machine with 32 awg black double rows	1	pcs
11	Transparent PE ROHS LDPE	5	g
10	Display/Port Port M CONNECTOR BLACK INSULATION SHELL PLATED:GOLD CONTACT 3U	1	pcs
9	MINI DP TO PCB dedicated 34 awg wire clip black	1	pcs
8	W=20MM 25u Double conductive copper foil	0.1	m
7	φ 0.8 Black heat shrinkable casing	0.03	m
6	DisplayPort M Transparent dust cover	1	pcs
5	HDMI F One-piece former head of the glossy ABS material to golden paint	1	pcs
4	MDPH12 One-piece shell glossy ABS material to gold spray paint ~OD:6.4MM~PRINT:DP 1.2、H1 (COOL 8C)	1	pcs
3	65P BLACK PVC ROHS	9	g
2	MDPH12-15CM EMPTY PCB+SMT (HDMI CONNECTOR PLATED GOLD)	1	pcs
1	DP~[34WAG(7/0.06TC)+EAM]*5P+32AWG(7/0.08TC)+5C+AB(16/7/0.12TC 85%TC/OD:4.5MM~BLACK φVC012-0001) NO MARKING	0.205	M
NO	DESCRIPTION	Q'TY	UNIT

REV	ECN	TOLERANCE INCHES	TOLERANCE M/M	DESCRIPTION	DATE	NAME
.X		.015	.30			
.XX		.010	.10			
.XXX		.005	.05			
DRAWN BY ZHWL				TITLE: ROLINE GOLD Cable Adapter, DP M - HDMI F, v1.2, 15cm		
CHECK BY				CUSTOMER P/N: 12.03.3170		
APPD BY				SCALE: NONE		
				UNIT: MM		
				DATE: 2016. 11. 25		
				DRAWING NO.: D04089-00160		
				REV. A01		
				1/1		