



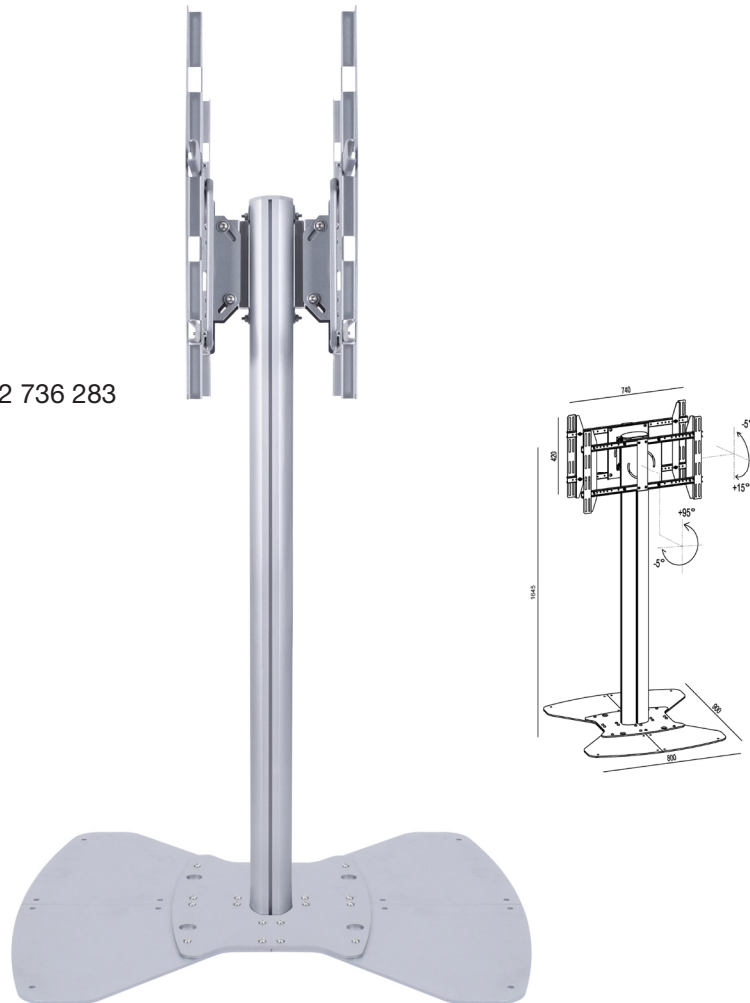
Ready when you are.

M Public Display Stand 165 Back to Back

Art No: Silver 7 350 022 735 408, Black 7 350 022 736 283

The Multibrackets Public Display Stand 165 Back to Back is mainly made out of a light weight aluminum construction. M Multibrackets Public Display Stand can be used with screens in a standard landscape mode or a portrait mode. It can be used with or without shelves, electrical power socket and camera holder.

M Multibrackets Public Display Stand Back to Back is 165cm high. Different to the other display stands in this series the Back to Back version is delivered as standard with a display stand base and not wheel base.



SPECIFICATIONS

M Public Display Stand 165 Back to Back	
For screen size:	46-63"
Feature:	Dual screen back to back assembly
VESA standard:	Up to 700x400 mm
EAN: Silver, black	7 350 022 735 408, 7 350 022 736 283
Size in mm: (WxDxH)	available in a moment
Adjustable height / Tilt:	Yes / Yes, +/- 20° on both sides
Weight:	56 kg
Colours:	Silver and black
Max load:	100 kg
DVD Shelf / Camera holder:	Optional, not included
Power rail 220V:	Built-in
Package size:	730x260x100, 540x460x65, 1650x100x175 mm
Screen position:	Landscape or portrait with tilt
Wheels:	Optional
Mount to floor:	Yes, included
Warranty:	5 years

