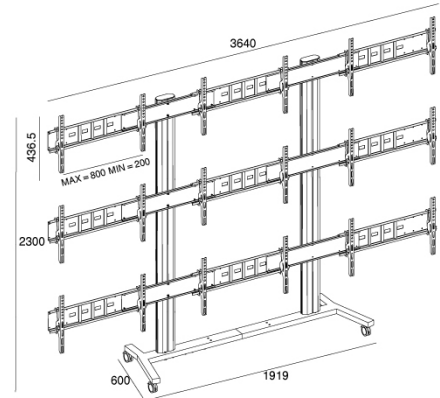
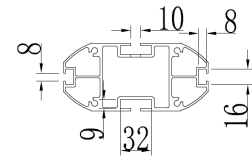
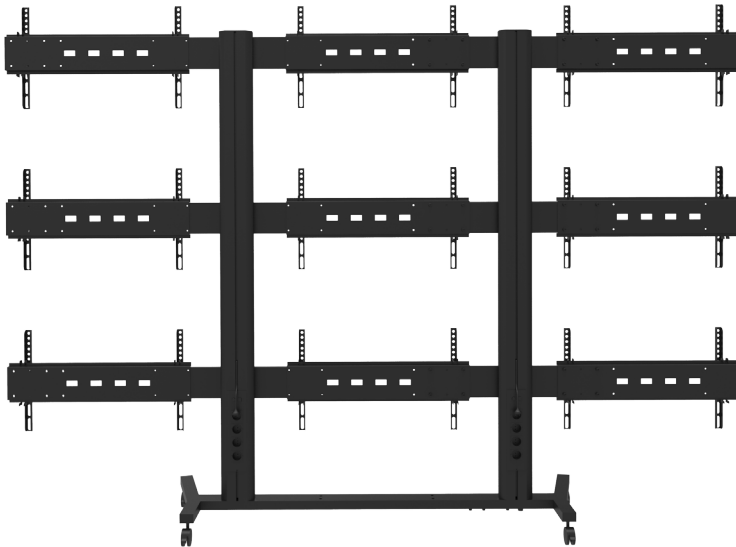




Ready when you are.



# M Public Video Wall Stand 9-Screens

Art No: 7 350 022 739 734

With the optional floor stand base you can stand or mount it to the floor and make the installation permanent. M Public Video Wall Stand 9 Screens (3x3) screen array configuration is: 3 screens wide x 3 screens high. Based on 180cm high pillar made out of durable aluminum, the possibilities for height adjustments are very

good and it is possible to provide perfect viewing angle for both a sitting and a standing audience. There is a power rail built into each pillar, providing 220v power to the screens or peripheral. This makes installation and cable management an ease.

## SPECIFICATIONS

M Public Video Wall Stand 9-Screens 40-55" Black	
For screen size:	40-55" for each screen
Feature:	9 screen assembly
VESA standard:	Up to 800x400 mm
Article No:	7 350 022 739 734
Size in mm: (WxDxH)	available in a moment
Adjustable height / Depth:	Yes / Yes
Weight:	50 kg
Colour:	Black
Max load per screen:	40 kg
Max load total:	360 kg
Wheel Base / Floor Base:	Included / Optional
Power Rail:	220V, built-in
Warranty:	5 years

