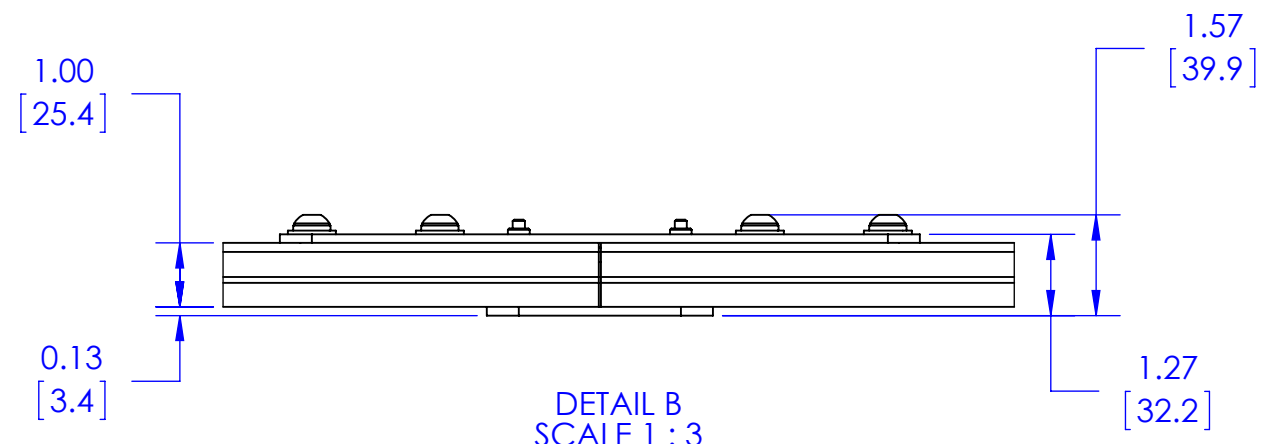
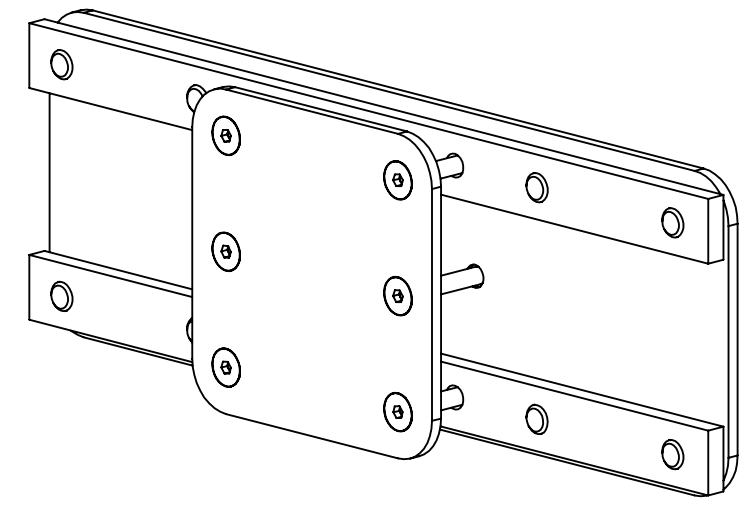


DETAIL A
SCALE 1 : 3



DETAIL B
SCALE 1 : 3



EXTRUSION SOLD SEPARATELY

THE INFORMATION AND DESIGNS CONTAINED IN THIS DRAWING ARE CONFIDENTIAL AND THE PROPRIETARY PROPERTY OF MILESTONE AV TECHNOLOGIES NEITHER THIS DESIGN NOR ANY INFORMATION CONTAINED IN THIS DRAWING MAY BE REPRODUCED OR DISCLOSED TO OTHERS WITHOUT THE EXPRESS WRITTEN CONSENT OF MILESTONE AV TECHNOLOGIES.

CAD GENERATED DRAWING, DO NOT MANUALLY UPDATE.			6436 CITY WEST PKWY EDEN PRAIRIE MN, 55344 PHONE: 866-977-3901 FAX: 877-894-6918		
DRAWN BY	JAB	2/10/2016			
ENG APPROVAL			DESCRIPTION MENU-BOARD EXTRUSION CONNECTOR		
MFG APPROVAL					
QA APPROVAL			MODEL NO. FMSHC1		
SHEET 1 OF 1		SCALE 1:12	SIZE B	DWG. NO. TECH-000762	REV. 00