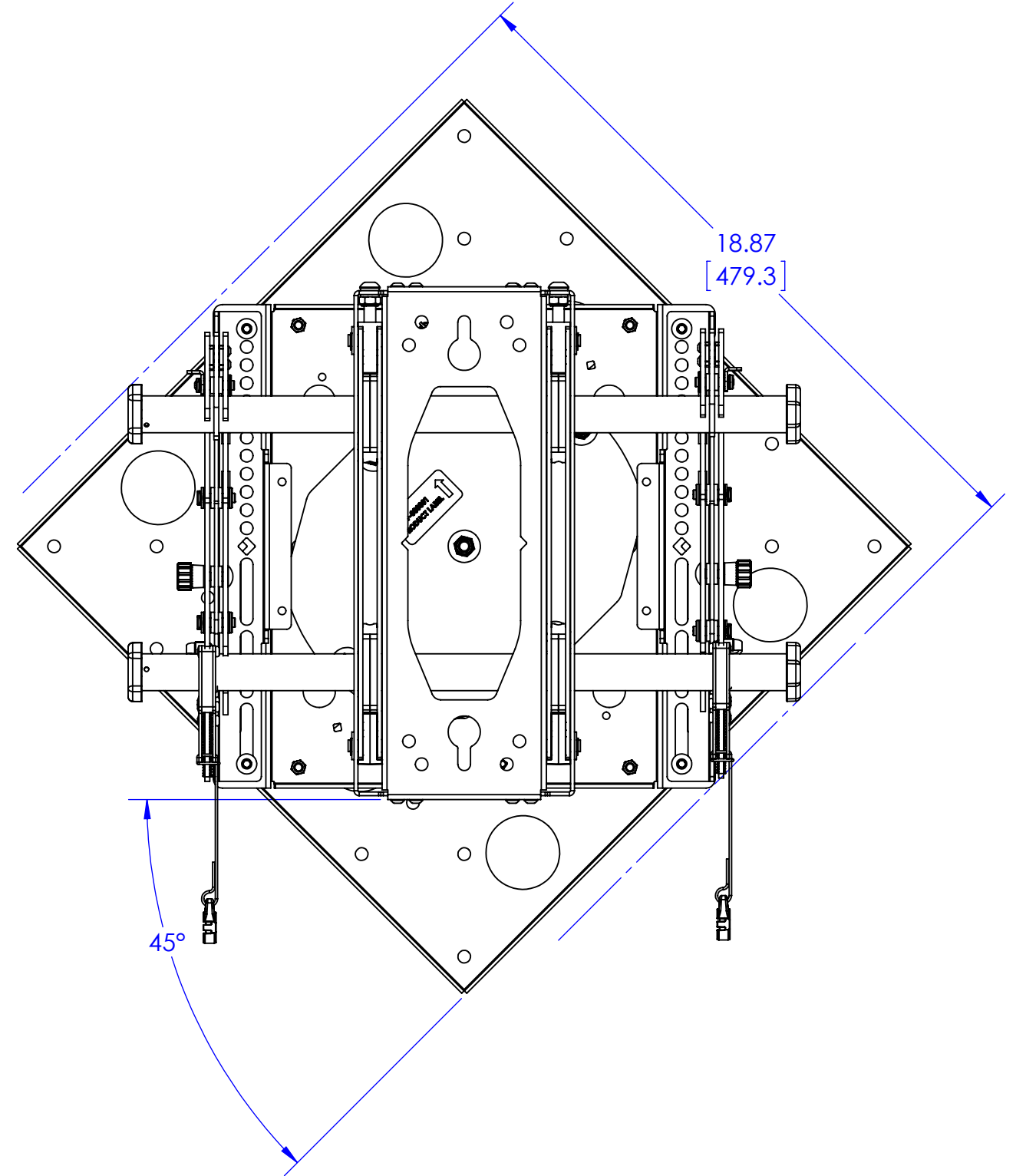
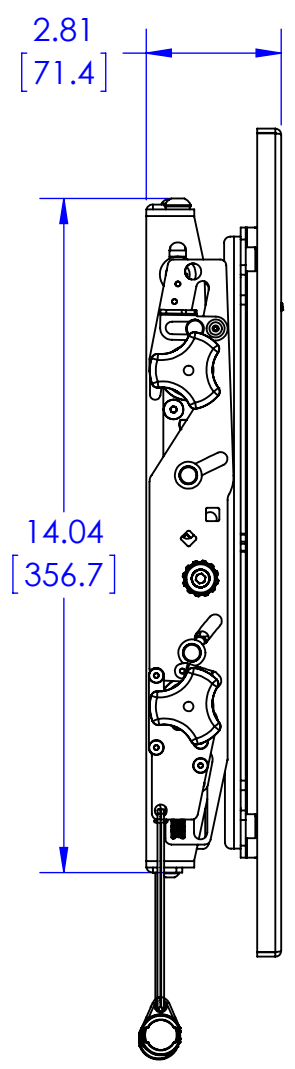
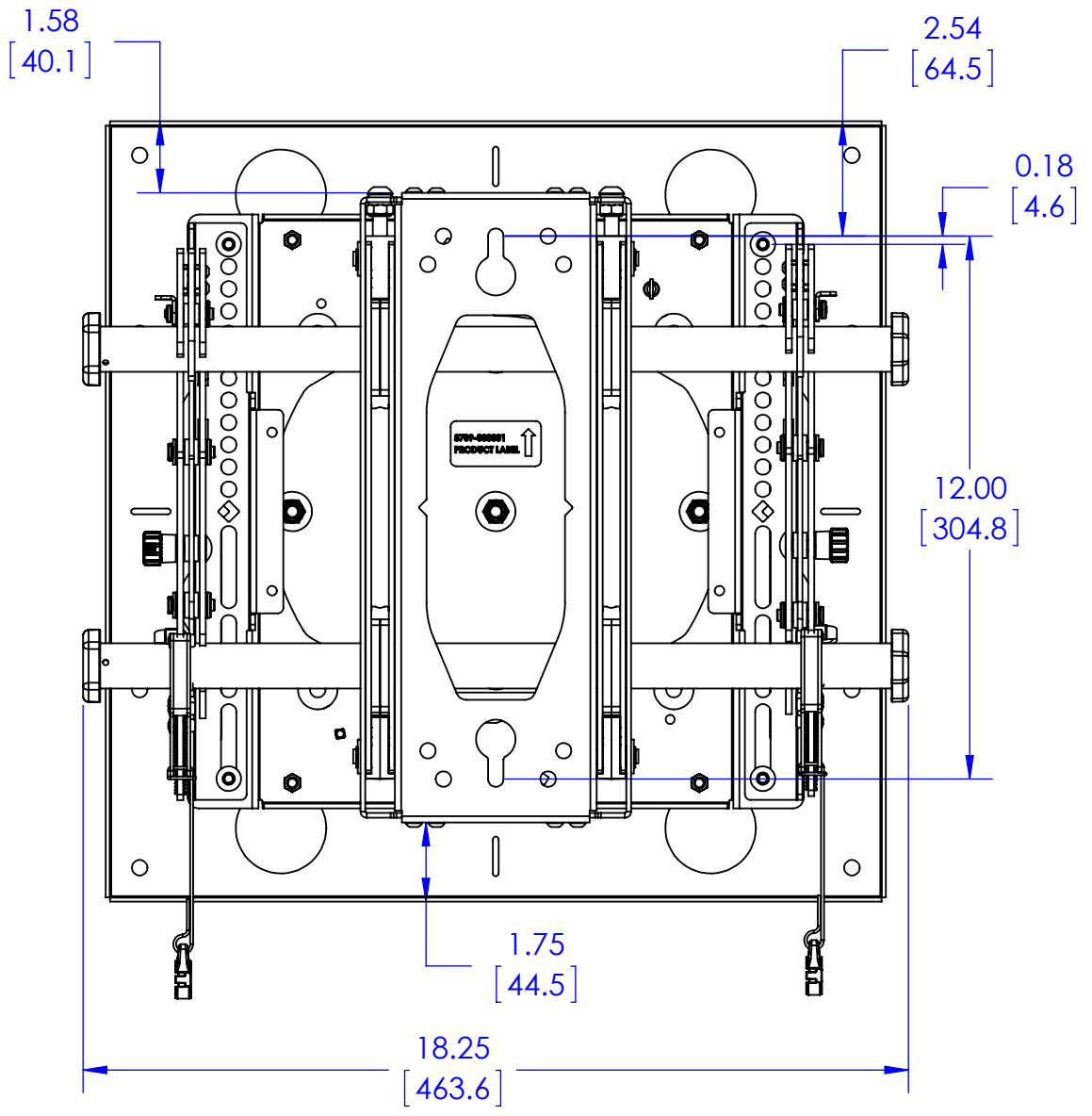


THE INFORMATION AND DESIGNS CONTAINED IN THIS DRAWING ARE CONFIDENTIAL AND THE PROPRIETARY PROPERTY OF MILESTONE AV TECHNOLOGIES NEITHER THIS DESIGN NOR ANY INFORMATION CONTAINED IN THIS DRAWING MAY BE REPRODUCED OR DISCLOSED TO OTHERS WITHOUT THE EXPRESS WRITTEN CONSENT OF MILESTONE AV TECHNOLOGIES.

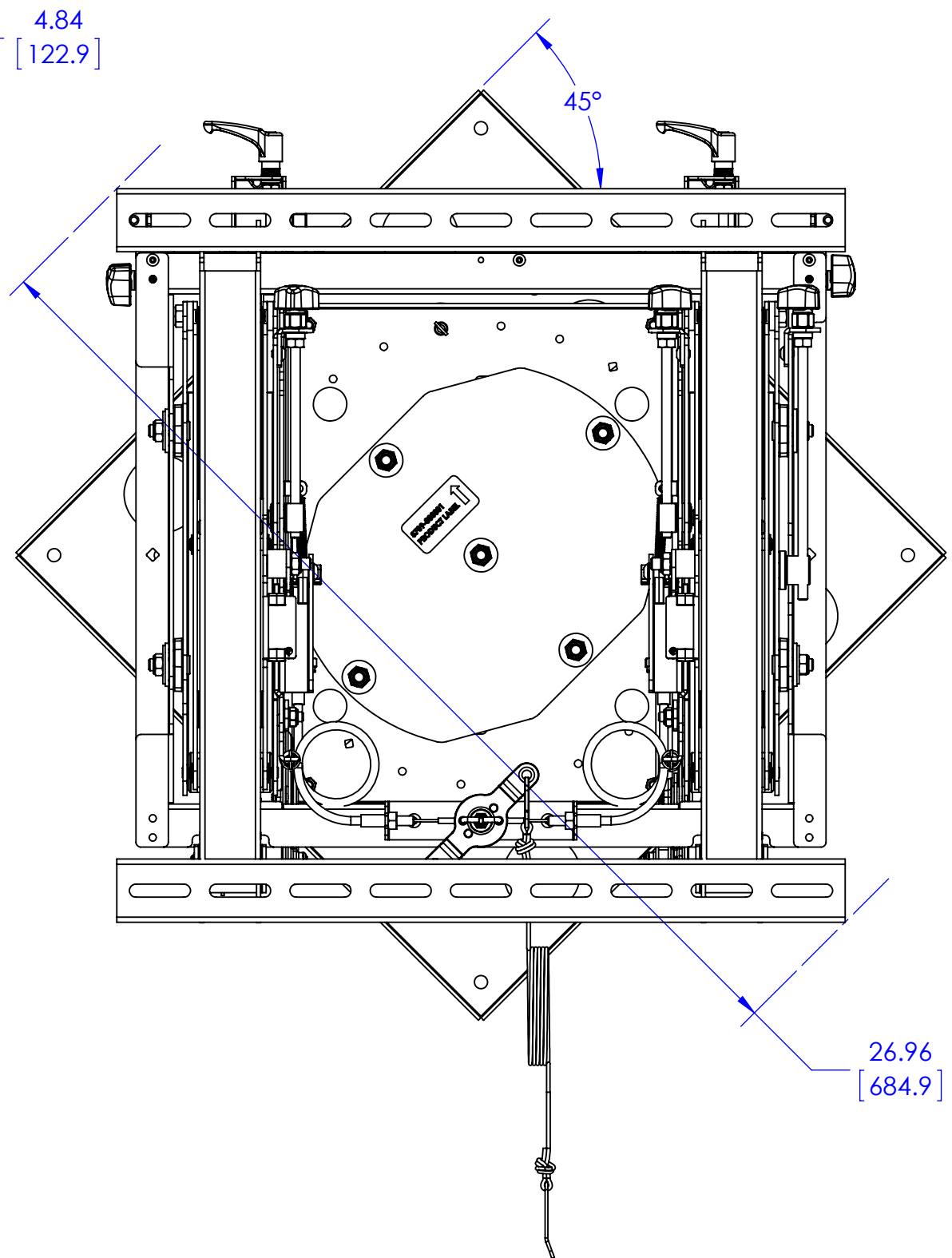
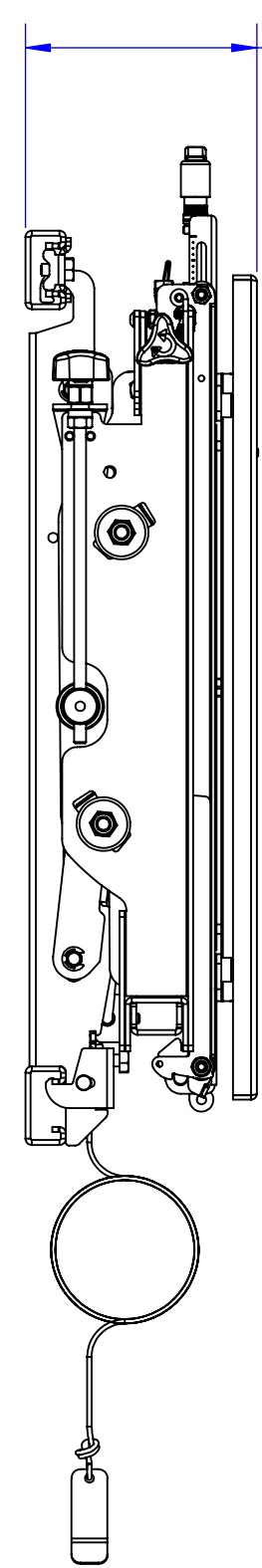
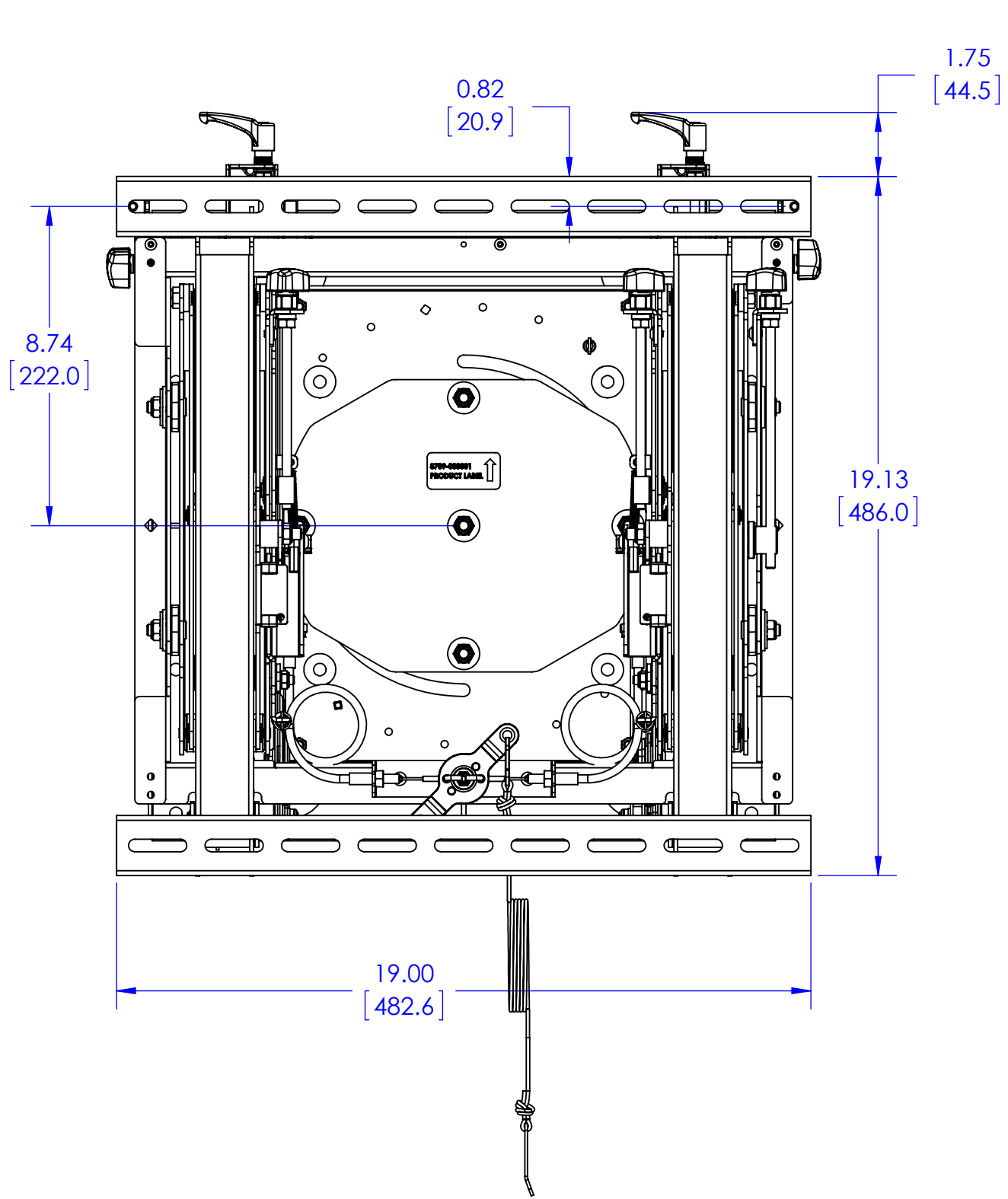
CAD GENERATED DRAWING, DO NOT MANUALLY UPDATE.			6436 CITY WEST PKWY EDEN PRAIRIE MN, 55344 PHONE: 866-977-3901 FAX: 877-894-6918
DRAWN BY	JAB	12/1/2016	
ENG APPROVAL			DESCRIPTION
MFG APPROVAL			ROTATION ADAPTER ACCESSORY
QA APPROVAL			MODEL NO.
SHEET 1 OF 4			FRA
SCALE	1:4	SIZE	DWG. NO.
		B	TECH-000831
		REV.	00

**SHOWN WITH MTMS1U
SOLD SEPARATELY**



THE INFORMATION AND DESIGNS CONTAINED IN THIS DRAWING ARE CONFIDENTIAL AND THE PROPRIETARY PROPERTY OF MILESTONE AV TECHNOLOGIES NEITHER THIS DESIGN NOR ANY INFORMATION CONTAINED IN THIS DRAWING MAY BE REPRODUCED OR DISCLOSED TO OTHERS WITHOUT THE EXPRESS WRITTEN CONSENT OF MILESTONE AV TECHNOLOGIES.

CAD GENERATED DRAWING, DO NOT MANUALLY UPDATE.			<p>6436 CITY WEST PKWY EDEN PRAIRIE MN, 55344 PHONE: 866-977-3901 FAX: 877-894-6918</p>
DRAWN BY	JAB	12/1/2016	
ENG APPROVAL			DESCRIPTION ROTATION ADAPTER ACCESSORY
MFG APPROVAL			MODEL NO. FRA
QA APPROVAL			SIZE DWG. NO. REV. B TECH-000831 00
SHEET 2 OF 4			SCALE 1:4

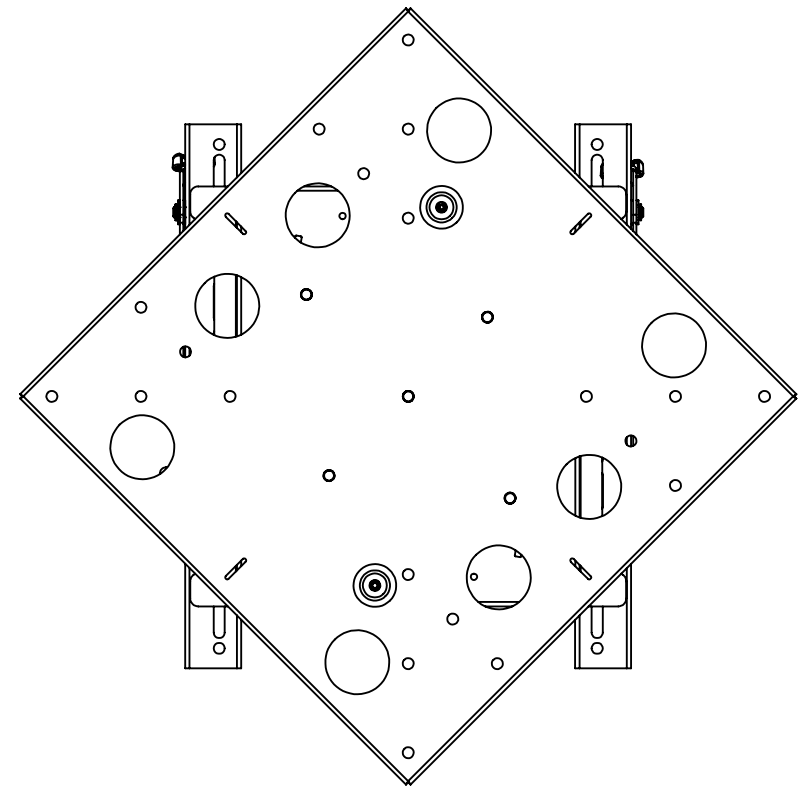
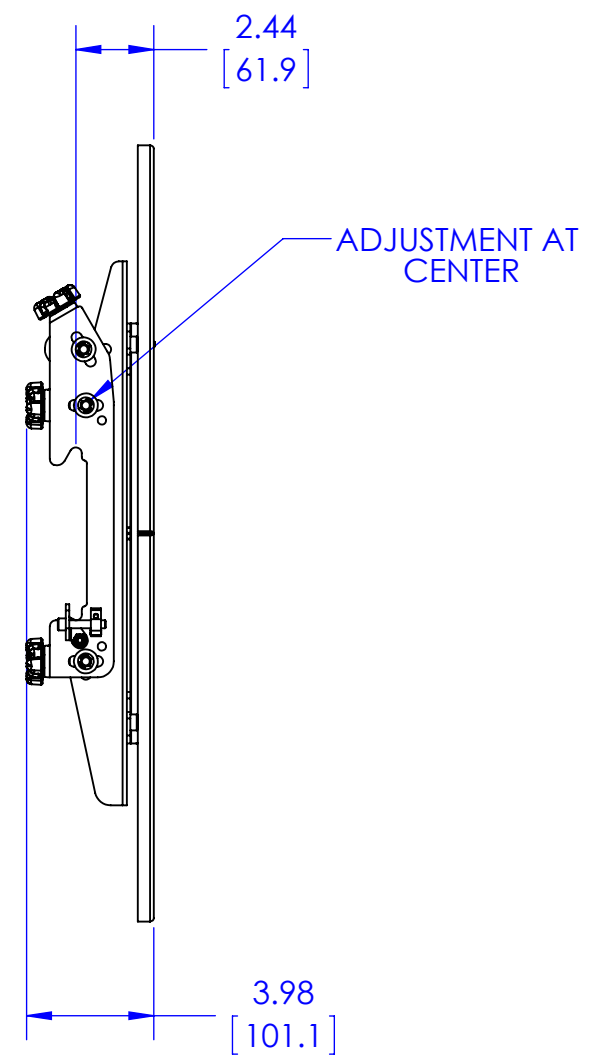
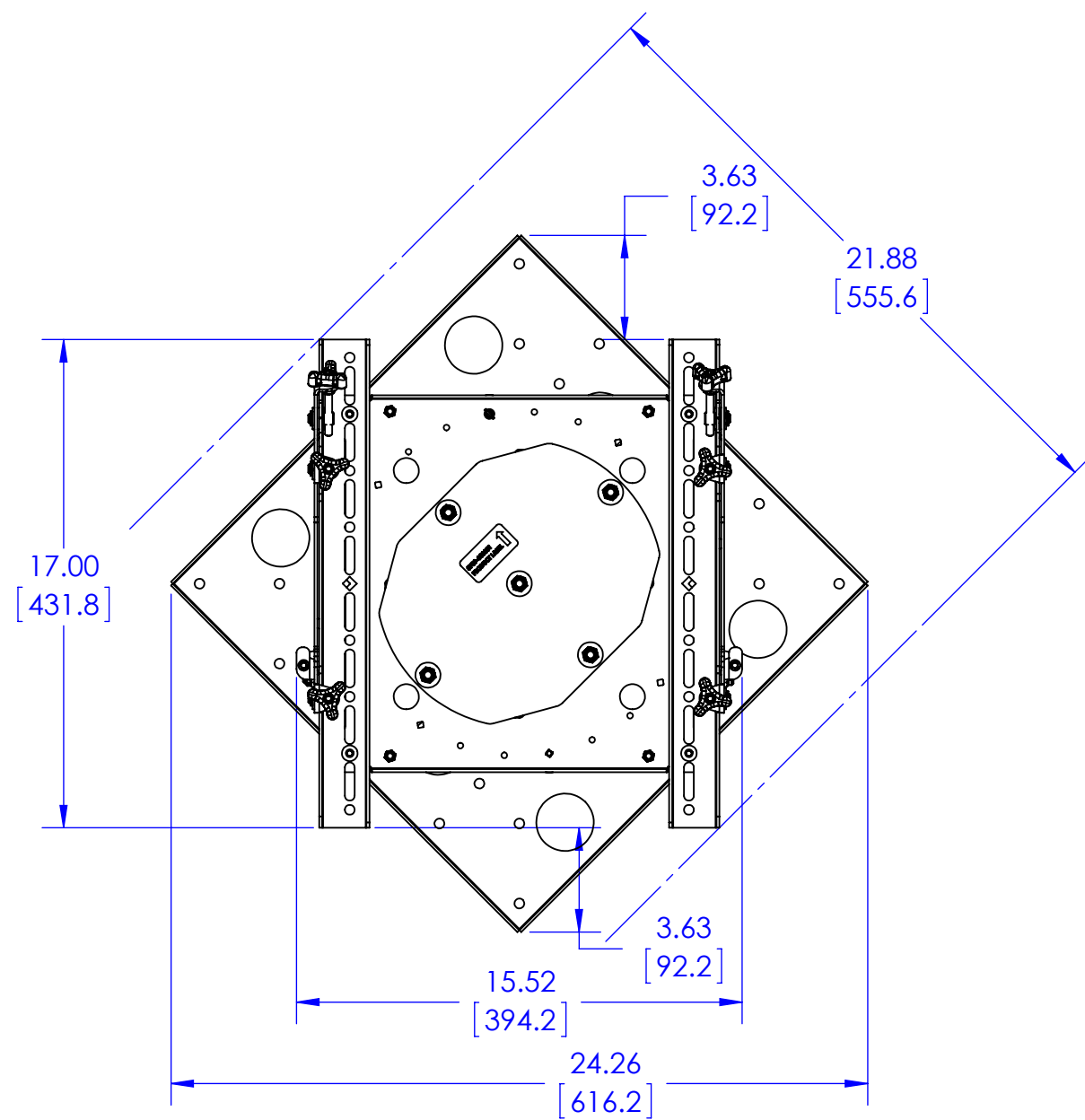


**SHOWN WITH LVS1UP
SOLD SEPARATELY**

THE INFORMATION AND DESIGNS CONTAINED IN THIS DRAWING ARE CONFIDENTIAL AND THE PROPRIETARY PROPERTY OF MILESTONE AV TECHNOLOGIES NEITHER THIS DESIGN NOR ANY INFORMATION CONTAINED IN THIS DRAWING MAY BE REPRODUCED OR DISCLOSED TO OTHERS WITHOUT THE EXPRESS WRITTEN CONSENT OF MILESTONE AV TECHNOLOGIES.

CAD GENERATED DRAWING, DO NOT MANUALLY UPDATE.			CHIEF 6436 CITY WEST PKWY EDEN PRAIRIE MN, 55344 PHONE: 866-977-3901 FAX: 877-894-6918
DRAWN BY	JAB	12/1/2016	
ENG APPROVAL			DESCRIPTION ROTATION ADAPTER ACCESSORY
MFG APPROVAL			MODEL NO. FRA
QA APPROVAL			SCALE 1:8
SHEET 3 OF 4		SIZE B	DWG. NO. TECH-000831
			REV. 00

FMSIML ADJUSTMENTS AT CENTER



**SHOWN WITH FMSIML
(SOLD SEPARATELY)**

THE INFORMATION AND DESIGNS CONTAINED IN THIS DRAWING ARE CONFIDENTIAL AND THE PROPRIETARY PROPERTY OF MILESTONE AV TECHNOLOGIES NEITHER THIS DESIGN NOR ANY INFORMATION CONTAINED IN THIS DRAWING MAY BE REPRODUCED OR DISCLOSED TO OTHERS WITHOUT THE EXPRESS WRITTEN CONSENT OF MILESTONE AV TECHNOLOGIES.

CAD GENERATED DRAWING, DO NOT MANUALLY UPDATE.			6436 CITY WEST PKWY EDEN PRAIRIE MN, 55344 PHONE: 866-977-3901 FAX: 877-894-6918		
DRAWN BY	JAB	12/1/2016	DESCRIPTION		
ENG APPROVAL			ROTATION ADAPTER ACCESSORY		
MFG APPROVAL			MODEL NO.		
QA APPROVAL			FRA		
SHEET 4 OF 4		SCALE	SIZE	DWG. NO.	REV.
		1:8	B	TECH-000831	00