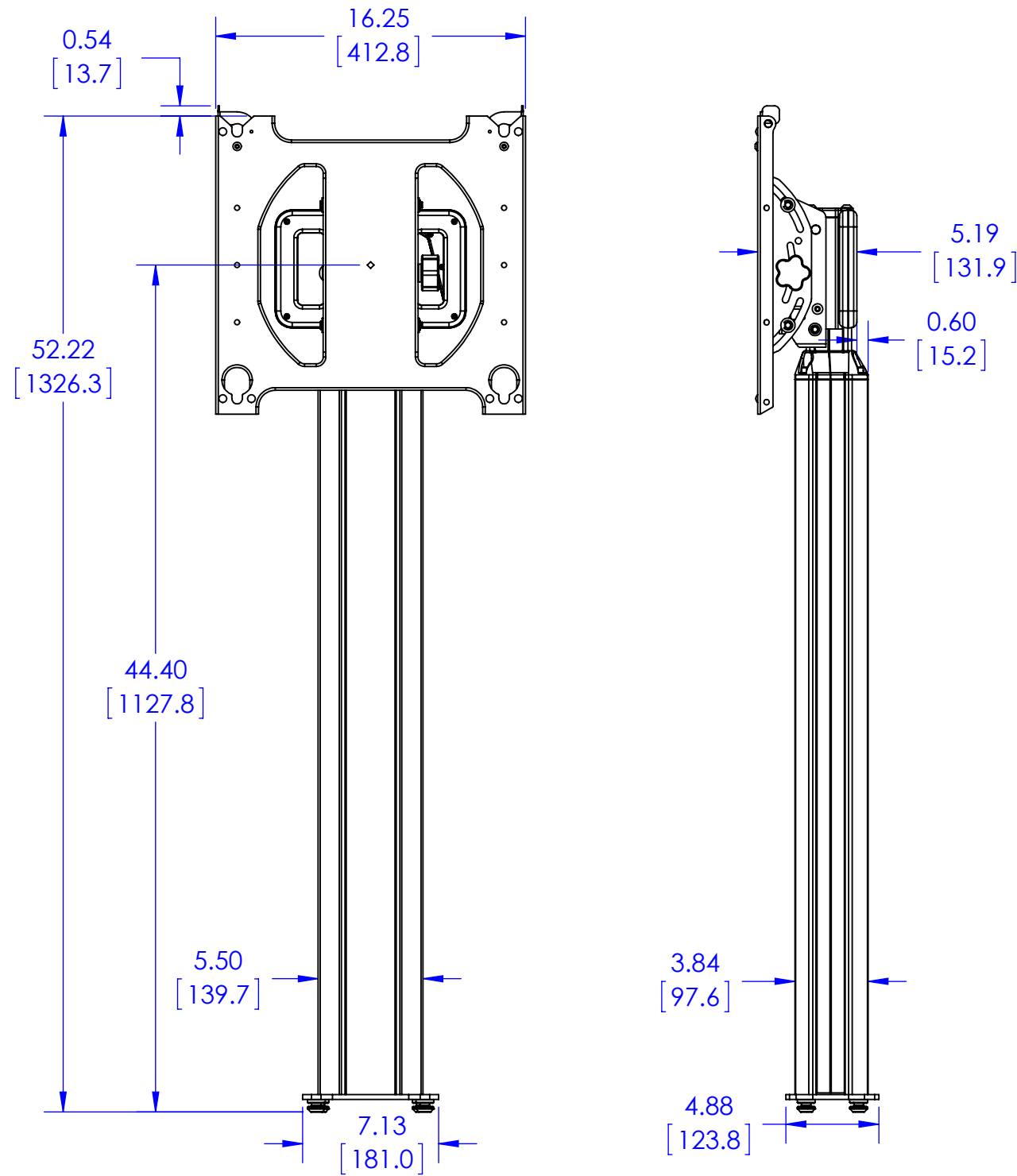


WEIGHT CAPACITY: 200 LBS (90.7 KG)

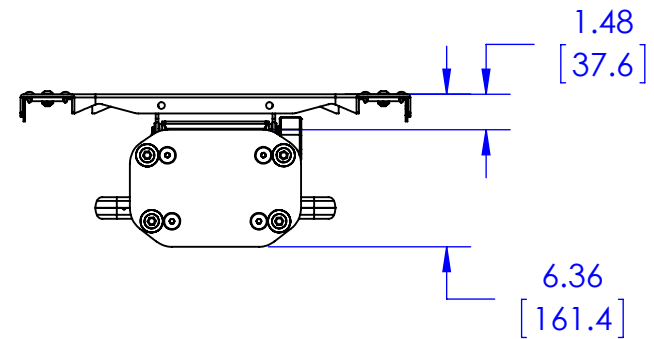
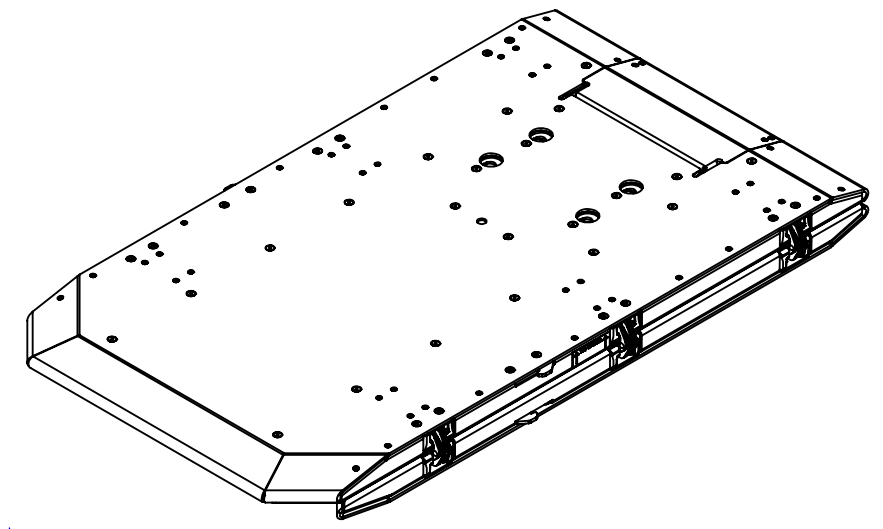
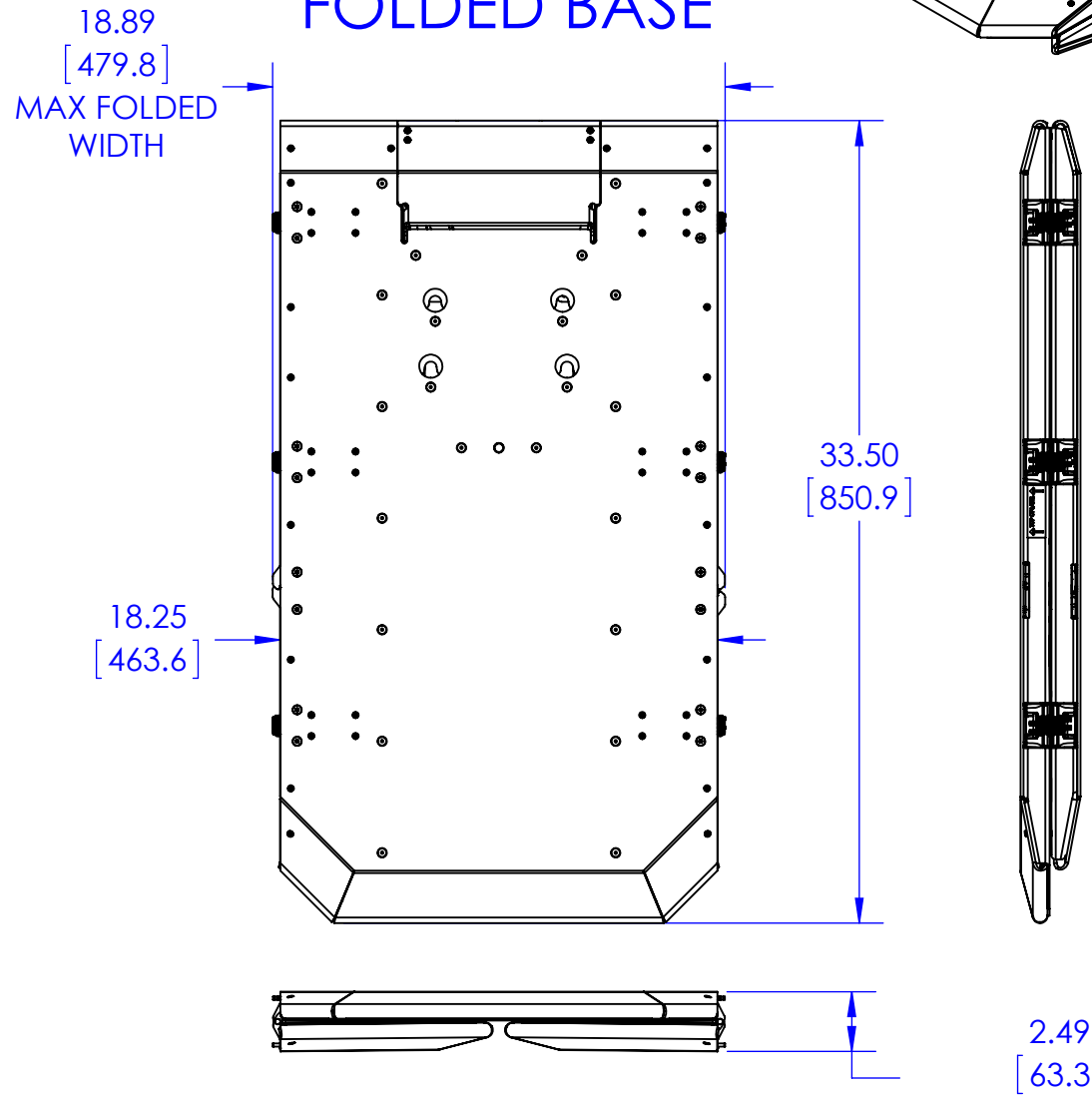
THE INFORMATION AND DESIGNS CONTAINED IN THIS DRAWING ARE CONFIDENTIAL AND THE PROPRIETARY PROPERTY OF MILESTONE AV TECHNOLOGIES NEITHER THIS DESIGN NOR ANY INFORMATION CONTAINED IN THIS DRAWING MAY BE REPRODUCED OR DISCLOSED TO OTHERS WITHOUT THE EXPRESS WRITTEN CONSENT OF MILESTONE AV TECHNOLOGIES.

CAD GENERATED DRAWING, DO NOT MANUALLY UPDATE.			<p>6436 CITY WEST PKWY EDEN PRAIRIE MN, 55344 PHONE: 866-977-3901 FAX: 877-894-6918</p>
DRAWN BY	MJS	10/26/2016	
ENG APPROVAL	MJS	10/26/2016	DESCRIPTION PRSU TECH DRAWING
MFG APPROVAL			MODEL NO. PRSU
QA APPROVAL			REV. 02
SHEET 1 OF 2		SCALE 1:12	SIZE B DWG. NO. TECH-000816

DETACHED COLUMN



FOLDED BASE



THE INFORMATION AND DESIGNS CONTAINED IN THIS DRAWING ARE CONFIDENTIAL AND THE PROPRIETARY PROPERTY OF MILESTONE AV TECHNOLOGIES NEITHER THIS DESIGN NOR ANY INFORMATION CONTAINED IN THIS DRAWING MAY BE REPRODUCED OR DISCLOSED TO OTHERS WITHOUT THE EXPRESS WRITTEN CONSENT OF MILESTONE AV TECHNOLOGIES.

CAD GENERATED DRAWING, DO NOT MANUALLY UPDATE.				6436 CITY WEST PKWY EDEN PRAIRIE MN, 55344 PHONE: 866-977-3901 FAX: 877-894-6918	
DRAWN BY	MJS	10/26/2016		DESCRIPTION PRSU TECH DRAWING	
ENG APPROVAL	MJS	10/26/2016	MODEL NO. PRSU		
MFG APPROVAL			REV. 02		
QA APPROVAL			SCALE 1:8		
SHEET 2 OF 2		SIZE B	DWG. NO. TECH-000816		