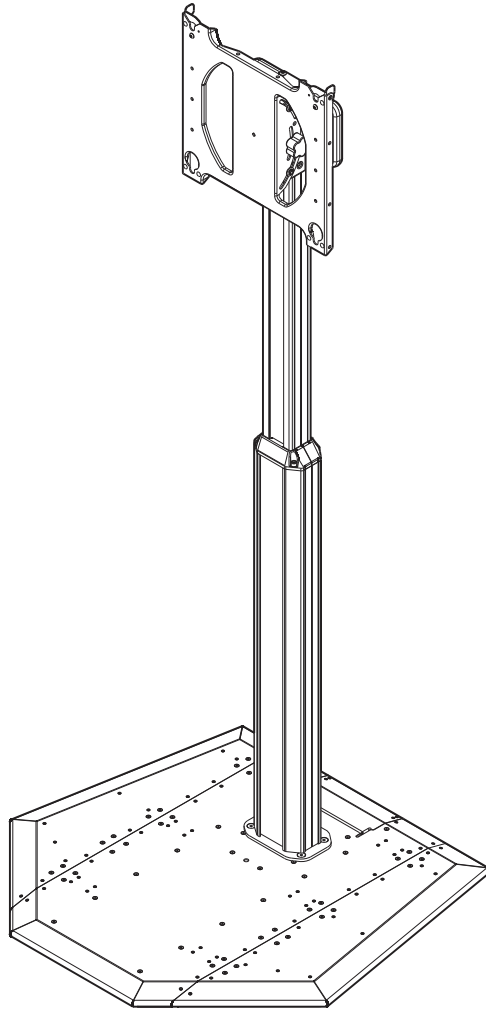

INSTALLATION INSTRUCTIONS



Portable Flat Panel Stand

DISCLAIMER

Milestone AV Technologies and its affiliated corporations and subsidiaries (collectively "Milestone"), intend to make this manual accurate and complete. However, Milestone makes no claim that the information contained herein covers all details, conditions or variations, nor does it provide for every possible contingency in connection with the installation or use of this product. The information contained in this document is subject to change without notice or obligation of any kind. Milestone makes no representation of warranty, expressed or implied, regarding the information contained herein. Milestone assumes no responsibility for accuracy, completeness or sufficiency of the information contained in this document.

Chief® is a registered trademark of Milestone AV Technologies. All rights reserved.

DEFINITIONS

MOUNTING SYSTEM: A MOUNTING SYSTEM is the primary Chief product to which an accessory and/or component is attached.

ACCESSORY: AN ACCESSORY is the secondary Chief product which is attached to a primary Chief product, and may have a component attached or setting on it.

COMPONENT: A COMPONENT is an audiovisual item designed to be attached or resting on an accessory or mounting system such as a video camera, CPU, screen, display, projector, etc.



WARNING: A WARNING alerts you to the possibility of serious injury or death if you do not follow the instructions.



CAUTION: A CAUTION alerts you to the possibility of damage or destruction of equipment if you do not follow the corresponding instructions.



IMPORTANT SAFETY INSTRUCTIONS



WARNING: Failure to read, thoroughly understand, and follow all instructions can result in serious personal injury, damage to equipment, or voiding of factory warranty! It is the installer's responsibility to make sure all mounting systems are properly assembled and installed using the instructions provided.



WARNING: Failure to provide adequate structural strength for this mounting system can result in serious personal injury or damage to equipment! It is the installer's responsibility to make sure the structure to which this mounting system is attached can support five times the combined weight of all equipment. Reinforce the structure as required before installing the mounting system.



WARNING: Exceeding the weight capacity can result in serious personal injury or damage to equipment! It is the installer's responsibility to make sure the combined weight of all components attached to mounting system does not exceed 200 lbs (90.7 kg).



WARNING: Use this mounting system only for its intended use as described in these instructions. Do not use attachments not recommended by the manufacturer.



WARNING: Never operate this mounting system if it is damaged. Return the mounting system to a service center for examination and repair.



WARNING: Do not use this mounting system outdoors.



WARNING: RISK OF SERIOUS INJURY OR DEATH!

Placing a remote control or toy on the stand may encourage a child to climb onto the stand causing the stand to tip over onto the child. DO NOT place remote controls or toys on the stand!



WARNING: RISK OF SERIOUS INJURY OR DEATH!

Relocating audio and/or video equipment to the stand may result in the stand collapsing or overturning onto a child. DO NOT relocate audio and/or video equipment to the stand!



CAUTION: Do not use the column handles for carrying, transporting, lifting or moving the PRSU. The handles should only be used for adjusting the column height (with display and cables removed).

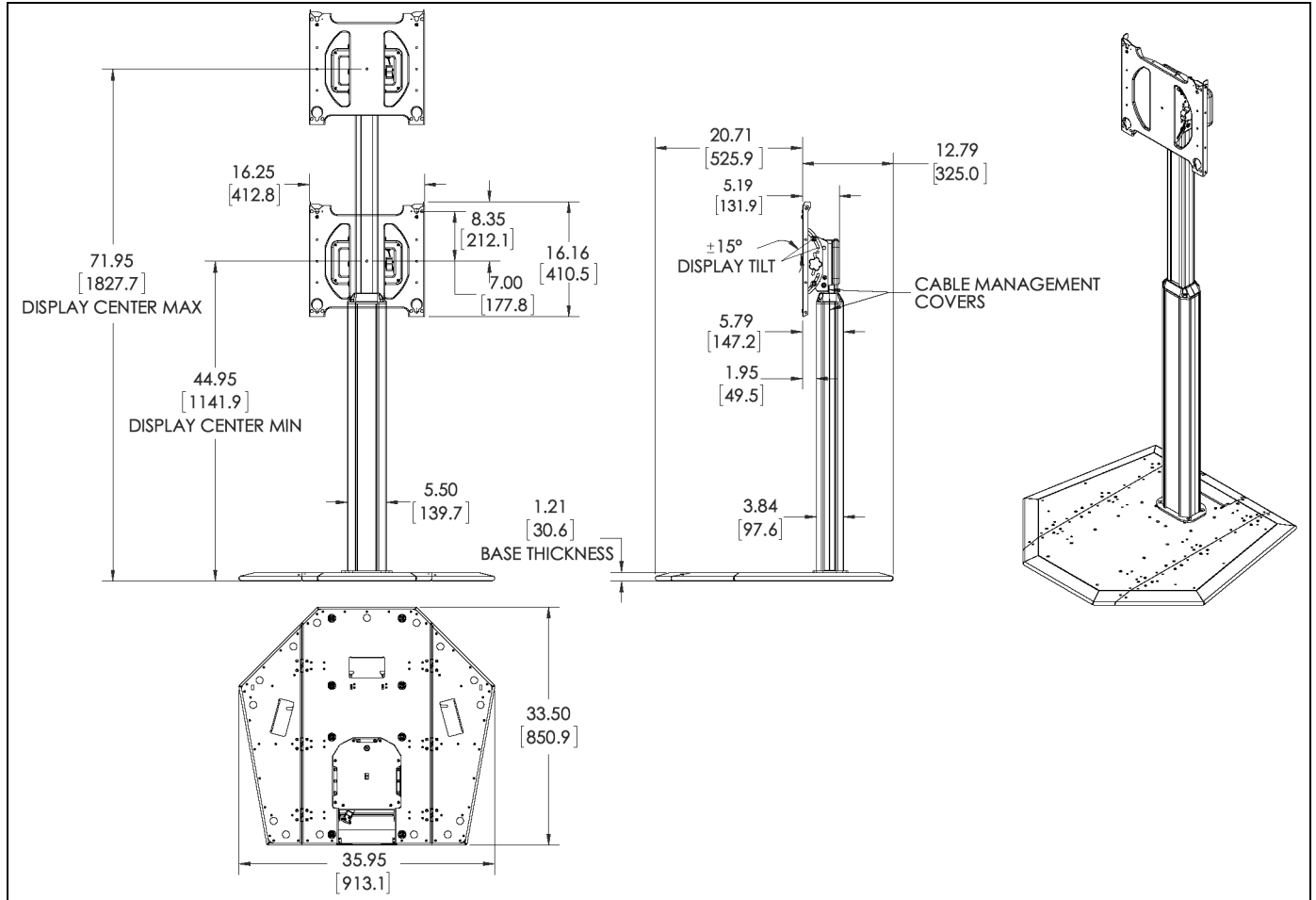
NOTE: The PRSU stand has no user serviceable parts.

NOTE: The PRSU should be regularly inspected for damage.

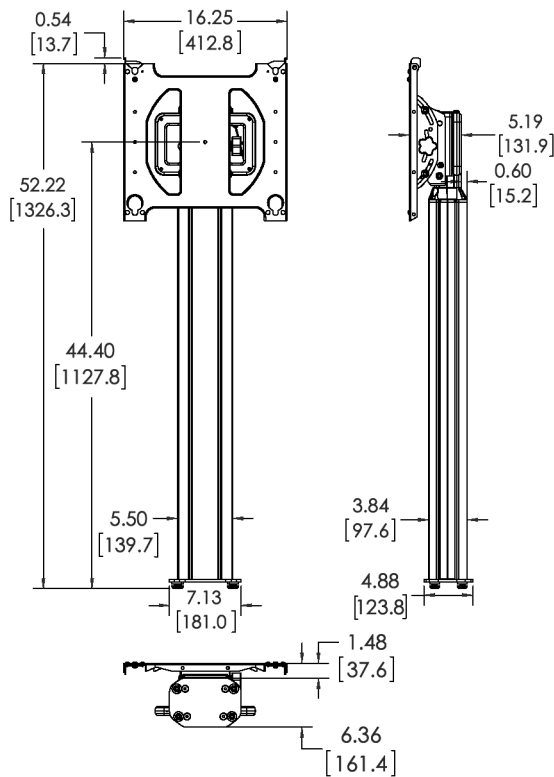
NOTE: The PRSU stand can support screen sizes up to a maximum of 80" diagonal.

--SAVE THESE INSTRUCTIONS--

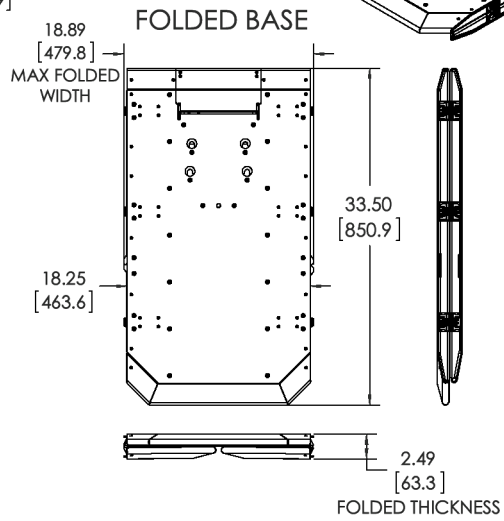
DIMENSIONS



DETACHED COLUMN

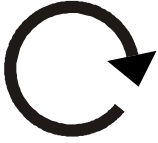

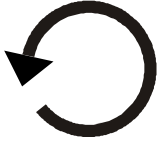



FOLDED BASE

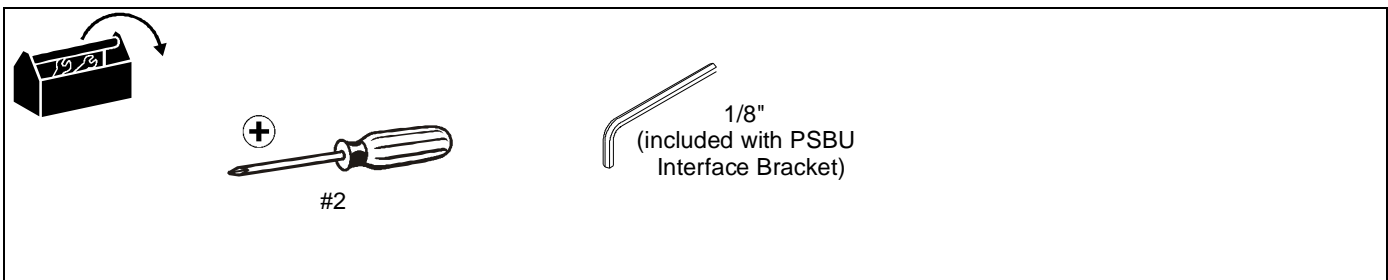


DIMENSIONS: INCHES [MILLIMETERS]

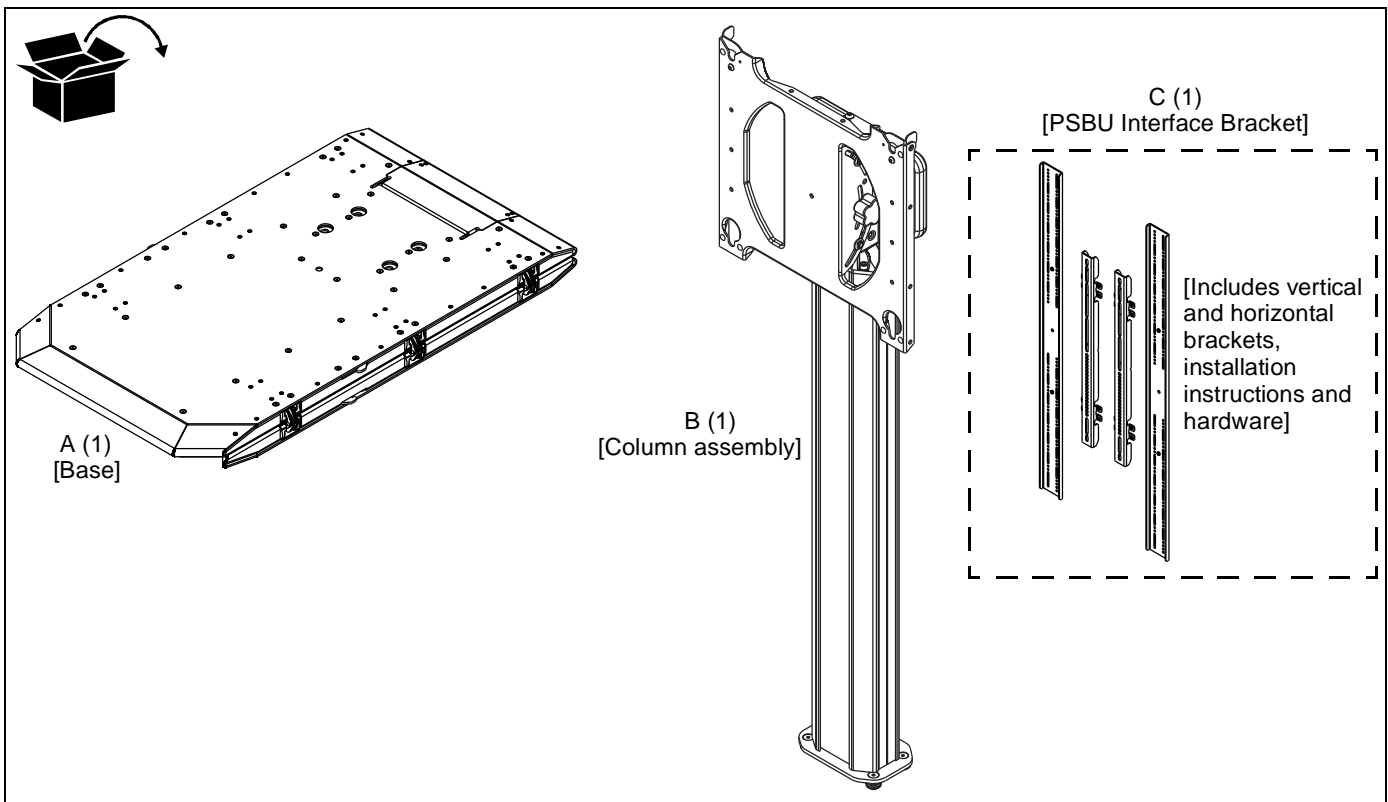
LEGEND

	Tighten Fastener		Phillips Screwdriver
	Apretar elemento de fijación		Destornillador Phillips
	Befestigungsteil festziehen		Kreuzschlitzschraubendreher
	Apertar fixador		Chave de fendas Phillips
	Serrare il fissaggio		Cacciavite a stella
	Bevestiging vastdraaien		Kruiskopschroevendraaier
Serrez les fixations	Tournevis à pointe cruciforme		
	Loosen Fastener		Hex-Head Wrench
	Aflojar elemento de fijación		Llave de cabeza hexagonal
	Befestigungsteil lösen		Sechskantschlüssel
	Desapertar fixador		Chave de cabeça sextavada
	Allentare il fissaggio		Chiave esagonale
	Bevestiging losdraaien		Zeskantsleutel
Desserrez les fixations	Clé à tête hexagonale		

TOOLS REQUIRED FOR INSTALLATION



PARTS



ASSEMBLY

1. Determine location for PRSU stand, and place base (A) on floor with folded ends on top. (See Figure 2)
2. Open both sides of the base (A), being careful to keep fingers from hinge areas. (See Figure 1)

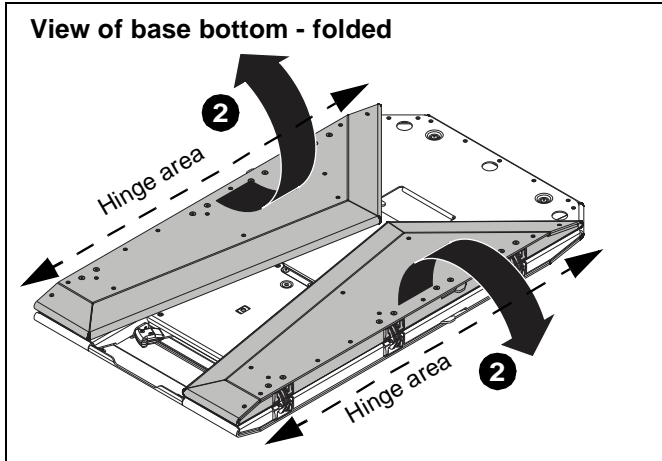


Figure 1

3. When the base sides are extended to the open position they will lock in place. (See Figure 2)

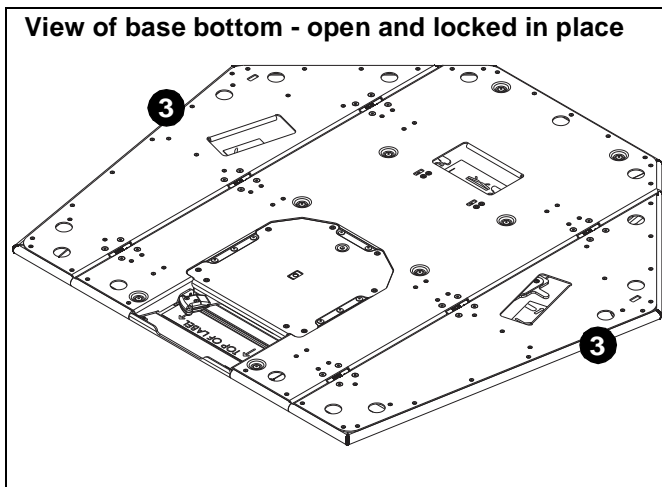


Figure 2

4. Place base on floor (top side up), and lift cover at center back of base (A). (See Figure 3)
5. Ensure that column latching handle is at far left of opening. (See Figure 3)

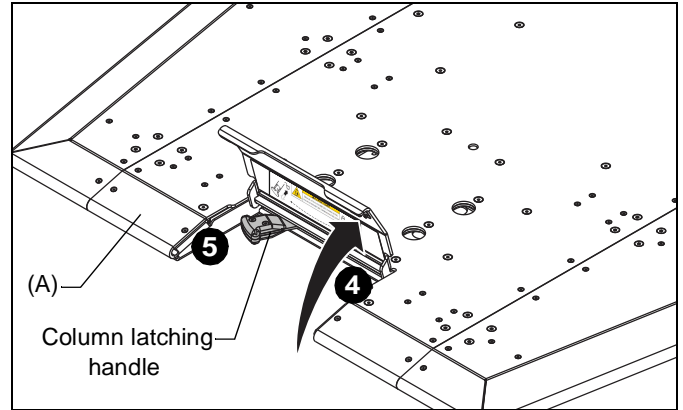


Figure 3



CAUTION: Do not use the column handles for carrying, transporting, lifting or moving the PRSU. The handles should only be used for adjusting the column height (with display and cables removed).

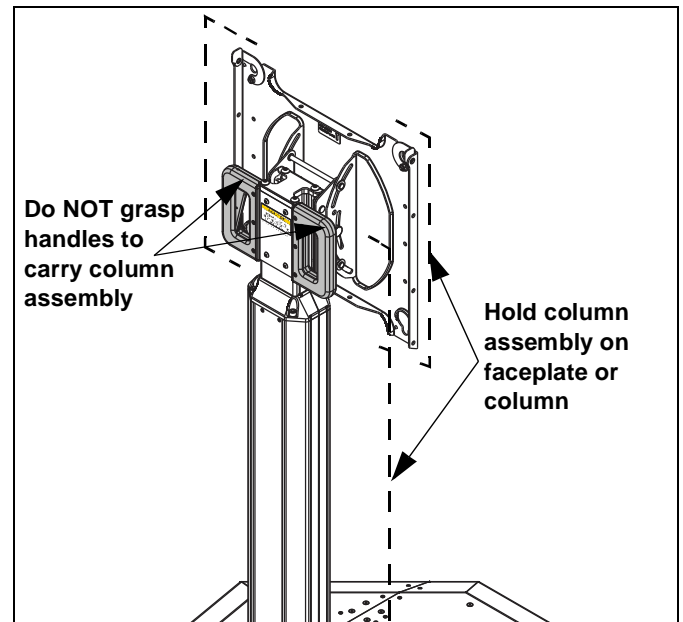


Figure 4

6. With faceplate facing front of base, line up column with mounting holes in base and lower into place. (See Figure 5)

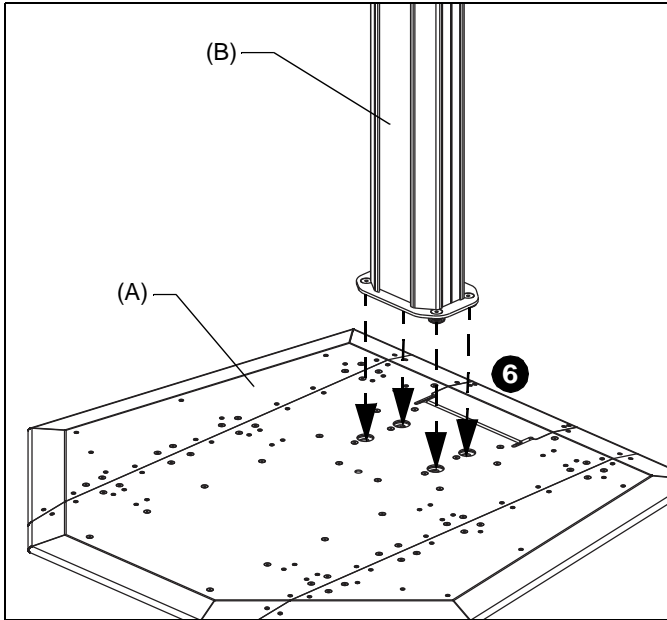


Figure 5

7. Pull out column latching handle. (See Figure 6)
8. Move handle to right until it retracts at the far right side of opening. (See Figure 6)
9. Ensure that handle retracts into base (A) to lock column (B) into place. (See Figure 6)

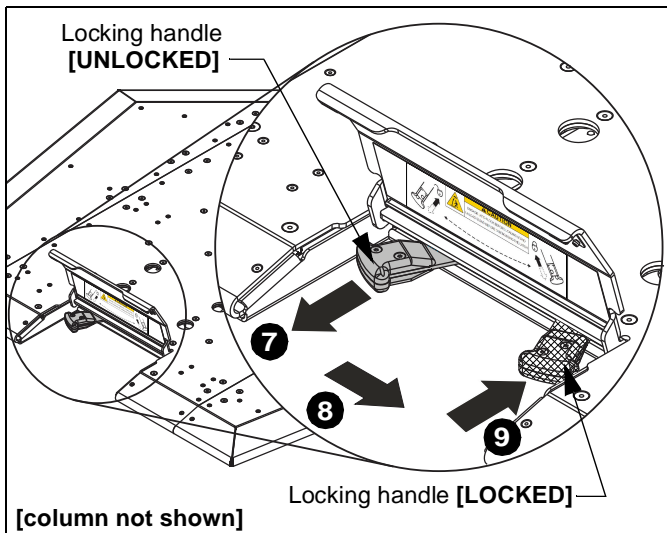


Figure 6

Installing Interface Bracket

1. Prepare to adjust height of column by holding both handles, pulling the inner handle and lifting. (See Figure 7)
2. Adjust height of column up or down as required.
3. Release the inner handle to move column to the closest height setting and to lock column height in place.

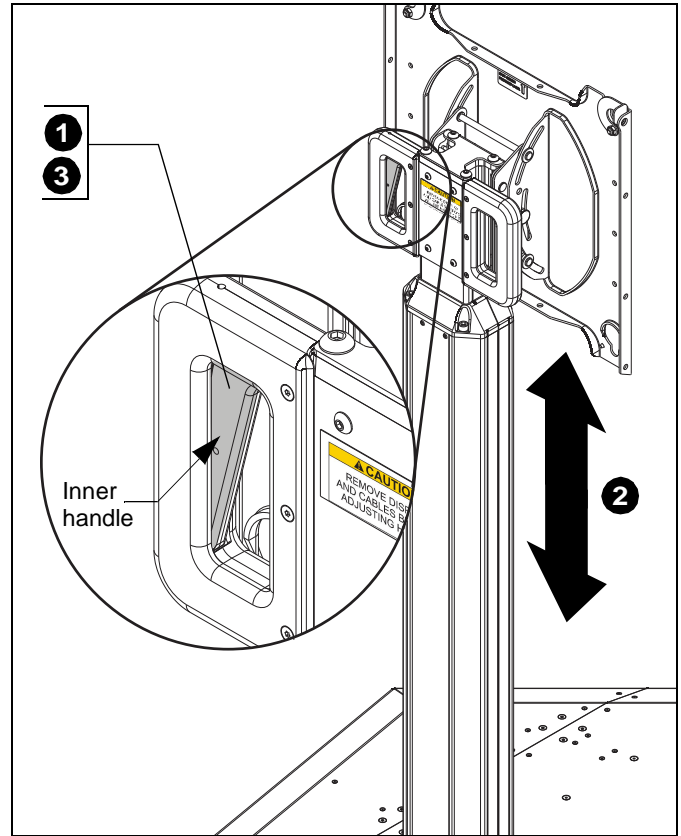


Figure 7

4. Assemble and install the PSBU interface bracket to the display, following installation instructions included with the PSBU interface bracket.

Attaching Display to Stand



WARNING: EXCEEDING MAXIMUM WEIGHT CAPACITY MAY LEAD TO SERIOUS PERSONAL INJURY OR DAMAGE TO EQUIPMENT! It is the installer's responsibility to ensure the total amount of weight placed on the stand does not exceed 200 lbs (90.72 kg).



CAUTION: Before attaching display to the stand ensure the stand is on level surface.

1. Open both flags on top mounting holes in faceplate. (See Figure 8)
2. While supporting both sides of display, align four mounting buttons on PSBU with four mounting holes in faceplate. (See Figure 8)

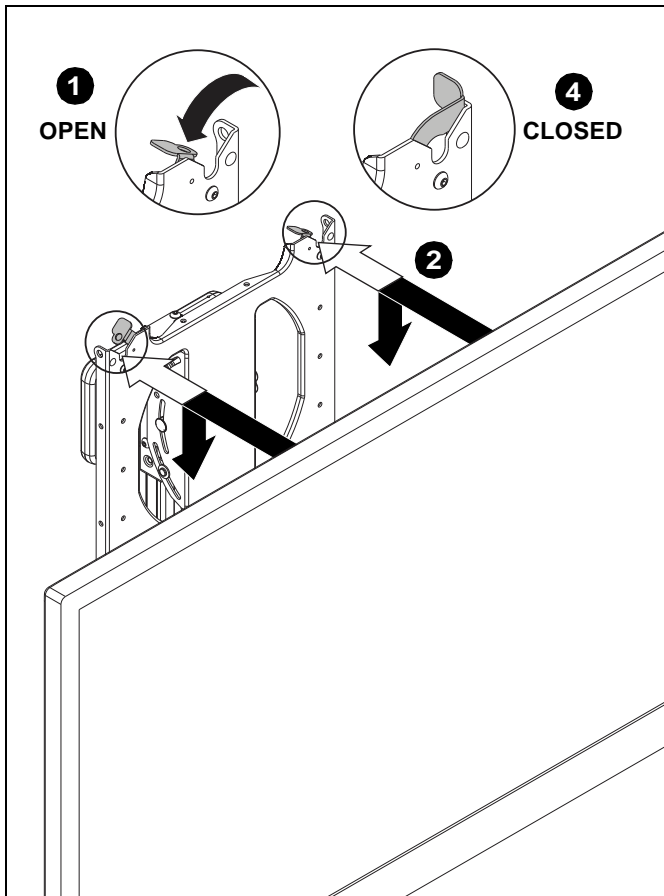


Figure 8



CAUTION: THE DISPLAY MAY WEIGH IN EXCESS OF 40 LBS! Always use two people and proper lifting techniques when installing, removing or positioning display on stand.

3. Lower display into place ensuring recessed area of mounting buttons are properly seated in lower area of mounting holes. (See Figure 9)
4. Close flags to secure interface to mount. (See Figure 8)

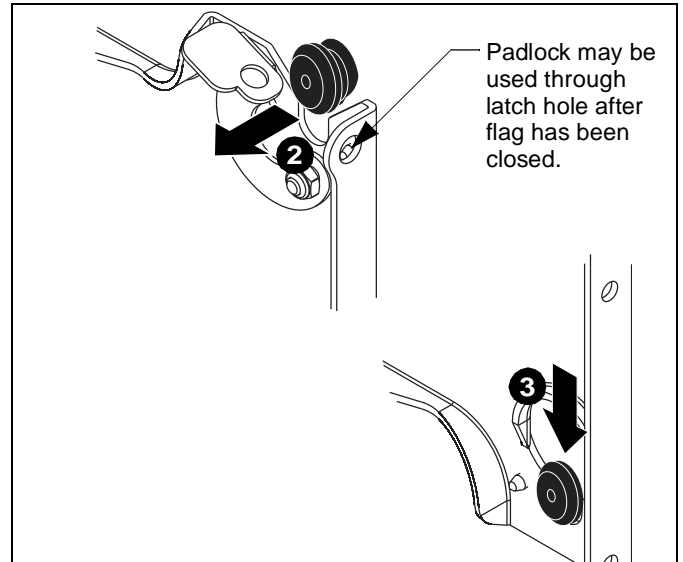


Figure 9



WARNING: IMPROPER INSTALLATION CAN LEAD TO STAND OR DISPLAY FALLING CAUSING SERIOUS PERSONAL INJURY OR DAMAGE TO EQUIPMENT! Ensure mounting buttons are completely engaged in mounting holes.

NOTE: Holes are provided in the faceplate for use with a padlock or similar locking device, if desired. (See Figure 9)



CAUTION: ALWAYS remove the display BEFORE adjusting the height of the stand.

Adjusting Stand

Tilting Display

The display can be tilted up to 15° either backward or forward from a straight upright position.

1. Turn knob counterclockwise on side of head assembly to loosen the tilt. (See Figure 10)

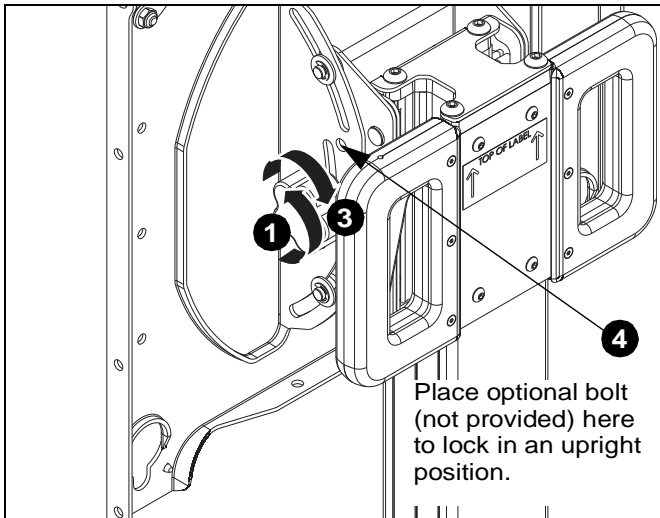


Figure 10

2. Tilt display as desired, to a maximum of 15° either forward or backward.
3. Turn knob clockwise to tighten display on head assembly. (See Figure 10)



CAUTION: Tighten knob on side of head assembly to prevent damage to the stand.

4. If leaving the display in a straight upright position, it is recommended that a bolt (not provided) be placed through the head assembly (See Figure 10) to lock the display into the upright position.

Cable Management

1. Cables may be run down either side of the stand within the cable management flaps. (See Figure 10)

NOTE: To prevent damage, remove cables from cable management flaps before moving the display and also before lowering the stand.

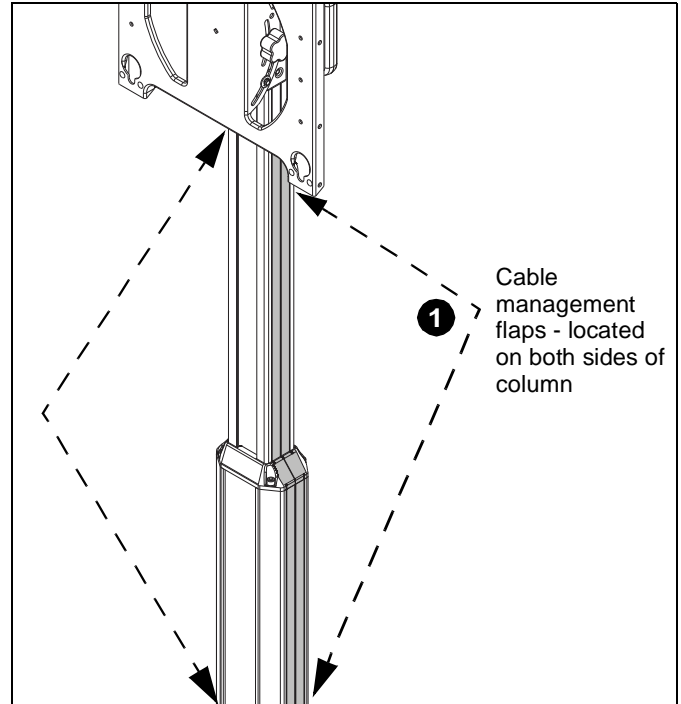


Figure 11

Disassembling Stand

Removing Display from Stand

1. Rotate flags to OPEN position on two upper mounting holes. (See Figure 12)

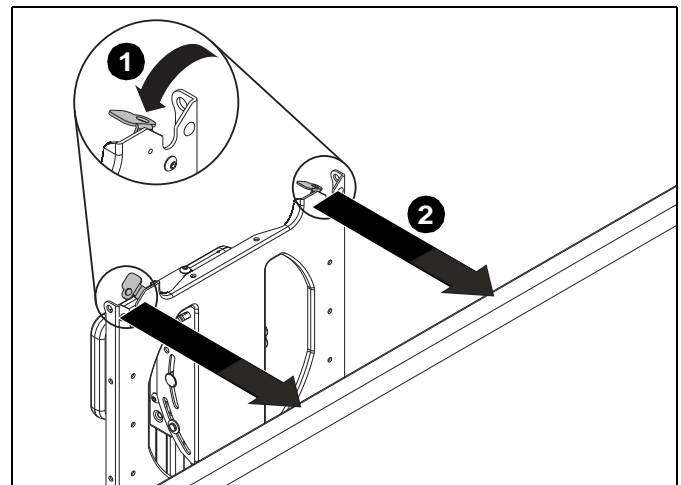


Figure 12



WARNING: EACH DISPLAY MAY WEIGH IN EXCESS OF 40 LBS! Always use two people and proper lifting techniques when installing, removing or positioning display on stand.

2. Carefully lift display and remove from stand.

3. Prepare to lower faceplate by lifting it slightly and pulling the inner handle on back of faceplate. (See Figure 13)
4. Lower faceplate as far as column allows.
5. Release the inner handle to lock column in place.

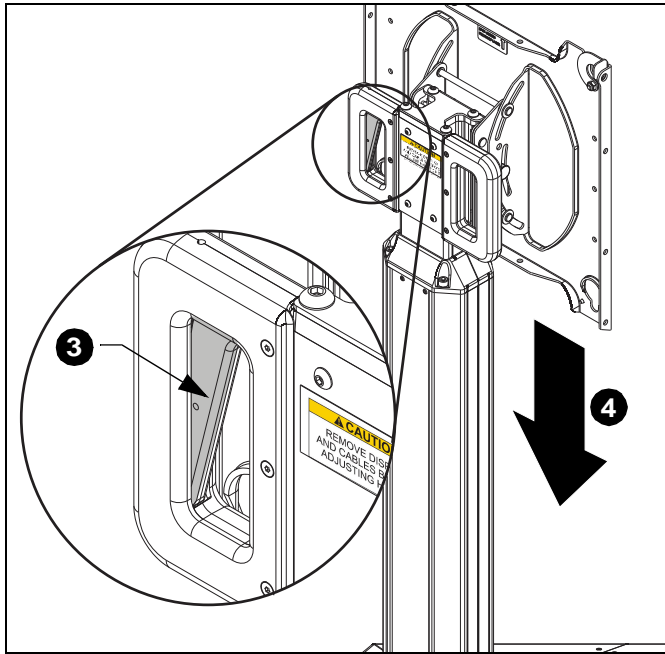


Figure 13

Removing Column from Base

1. Lift cover at center back of base (A). (See Figure 14)
2. Ensure that column latching handle is at far right of opening. (See Figure 14)

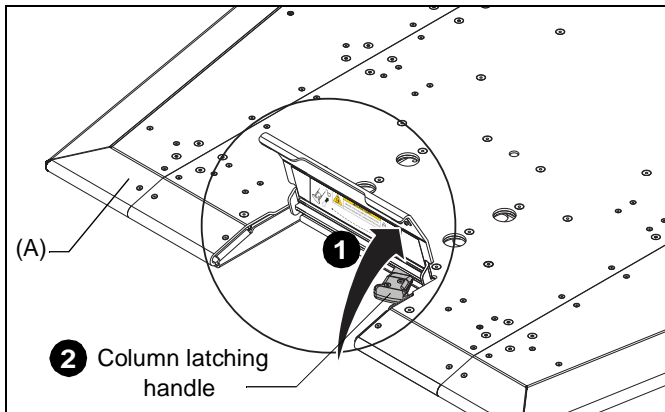


Figure 14

3. Pull out column latching handle. (See Figure 15)
4. Move handle to left until it retracts at the far left side of opening. (See Figure 15)
5. Ensure that handle retracts into base (A) to unlock column (B) from base. (See Figure 15)

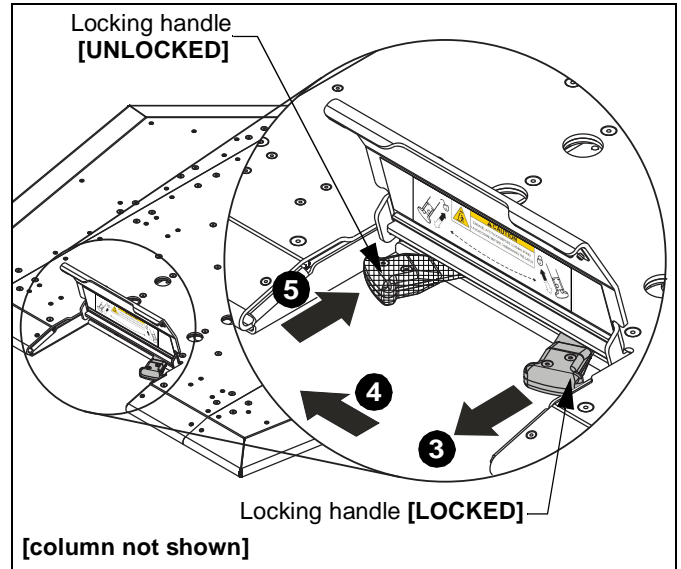


Figure 15

6. Pull up on column handles and lift column from base.

Folding Base

1. Turn base over and unlock sides of base by lifting the flat lock release tab on each side, and moving the sides to a folded position. (See Figure 16)

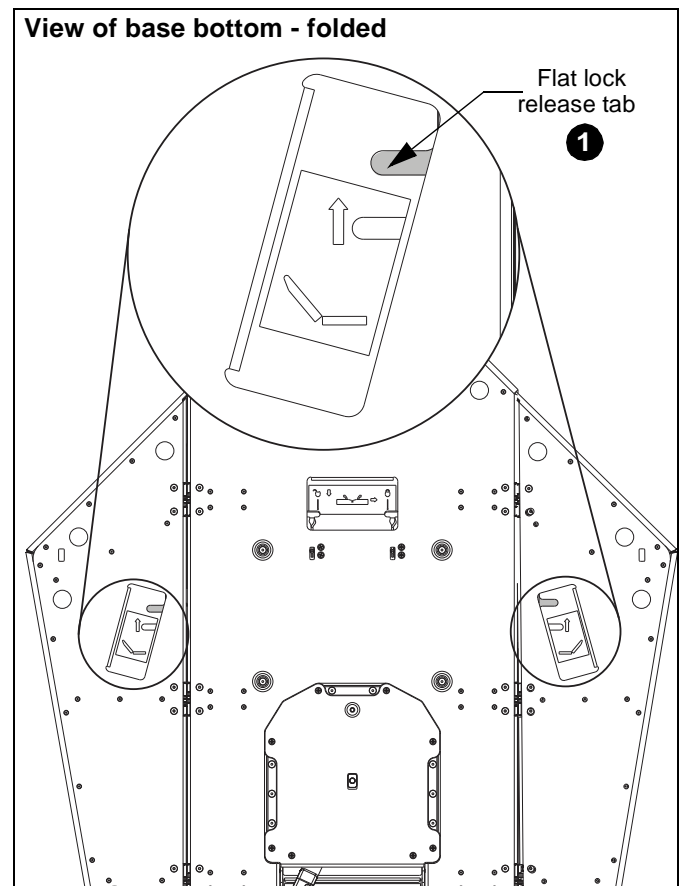


Figure 16

2. Fold up sides of the base, being careful to keep fingers from between sides and center base. (See Figure 17)

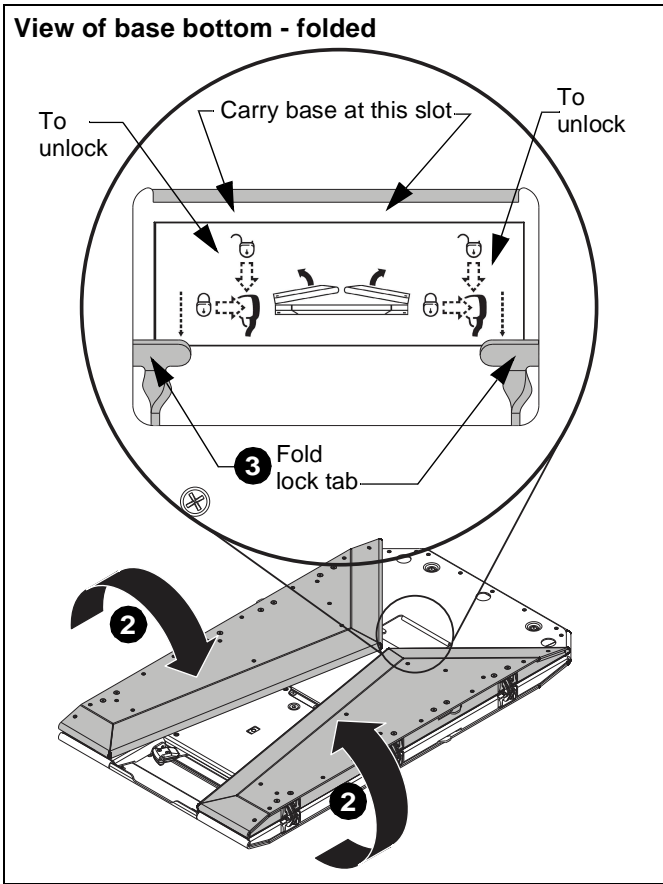


Figure 17

3. Push straight in on each of the fold lock tabs to lock each side of the base in the folded position. (See Figure 17)

NOTE: Carry the base by using the slot on the bottom of the base. (See Figure 17)

NOTE: TO UNLOCK FROM FOLDED POSITION - Push straight down (or toward back of base) on both fold lock tabs to unlock the sides of the base and allow them to be opened to the flat base position. (See Figure 17)



Our Mounts. **Your Vision.**

Chief, a products division of
Milestone AV Technologies

8800-002896 Rev01
©2017 Milestone AV Technologies
www.milestone.com
06/17

USA/International	<p>A 6436 City West Parkway, Eden Prairie, MN 55344 P 800.582.6480 / 952.225.6000 F 877.894.6918 / 952.894.6918</p>
Europe	<p>A Franklinstraat 14, 6003 DK Weert, Netherlands P +31 (0) 495 580 852 F +31 (0) 495 580 845</p>
Asia Pacific	<p>A Office No. 918 on 9/F, Shatin Galleria 18-24 Shan Mei Street Fotan, Shatin, Hong Kong P 852 2145 4099 F 852 2145 4477</p>

