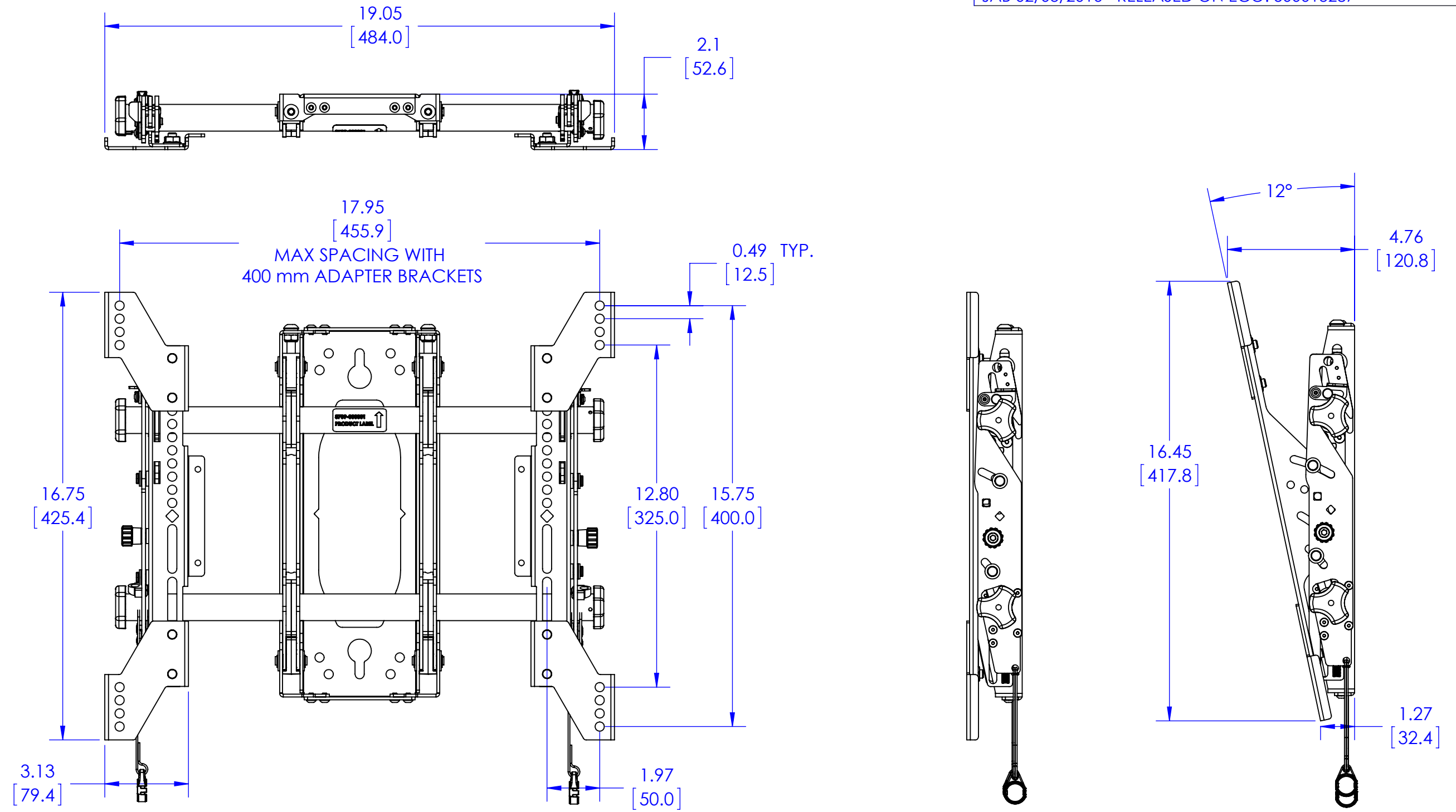


THE INFORMATION AND DESIGNS CONTAINED IN THIS DRAWING ARE CONFIDENTIAL AND THE PROPRIETARY PROPERTY OF MILESTONE AV TECHNOLOGIES NEITHER THIS DESIGN NOR ANY INFORMATION CONTAINED IN THIS DRAWING MAY BE REPRODUCED OR DISCLOSED TO OTHERS WITHOUT THE EXPRESS WRITTEN CONSENT OF MILESTONE AV TECHNOLOGIES.

CAD GENERATED DRAWING, DO NOT MANUALLY UPDATE.				6436 CITY WEST PKWY EDEN PRAIRIE MN, 55344 PHONE: 866-977-3901 FAX: 877-894-6918	
DRAWN BY	JAB	1/15/2016		DESCRIPTION <b>MEDIUM FUSION SINGLE STUD MOUNT</b>	
ENG APPROVAL			MODEL NO. <b>MTMS1U</b>		
MFG APPROVAL			SIZE	DWG. NO.	REV.
QA APPROVAL			<b>B</b>	<b>TECH-000752</b>	<b>00</b>
SHEET 1 OF 2			SCALE		
			<b>1:4</b>		



17.95 [455.9]  
 MAX SPACING WITH  
 400 mm ADAPTER BRACKETS

3.13 [79.4]

1.97 [50.0]

0.49 TYP. [12.5]

12.80 [325.0] 15.75 [400.0]

**SHOWN WITH 400 mm ADAPTER BRACKETS  
 ATTACHED  
 (INCLUDED)**

THE INFORMATION AND DESIGNS CONTAINED IN THIS DRAWING ARE CONFIDENTIAL AND THE PROPRIETARY PROPERTY OF MILESTONE AV TECHNOLOGIES NEITHER THIS DESIGN NOR ANY INFORMATION CONTAINED IN THIS DRAWING MAY BE REPRODUCED OR DISCLOSED TO OTHERS WITHOUT THE EXPRESS WRITTEN CONSENT OF MILESTONE AV TECHNOLOGIES.

CAD GENERATED DRAWING, DO NOT MANUALLY UPDATE.			<p>6436 CITY WEST PKWY          EDEN PRAIRIE MN, 55344          PHONE: 866-977-3901          FAX: 877-894-6918</p>
DRAWN BY	JAB	1/15/2016	
ENG APPROVAL			DESCRIPTION
MFG APPROVAL			<b>MEDIUM FUSION SINGLE STUD MOUNT</b>
QA APPROVAL			MODEL NO.
SHEET 2 OF 2			MTMS1U SCALE 1:4 SIZE B DWG. NO. TECH-000752 REV. 00