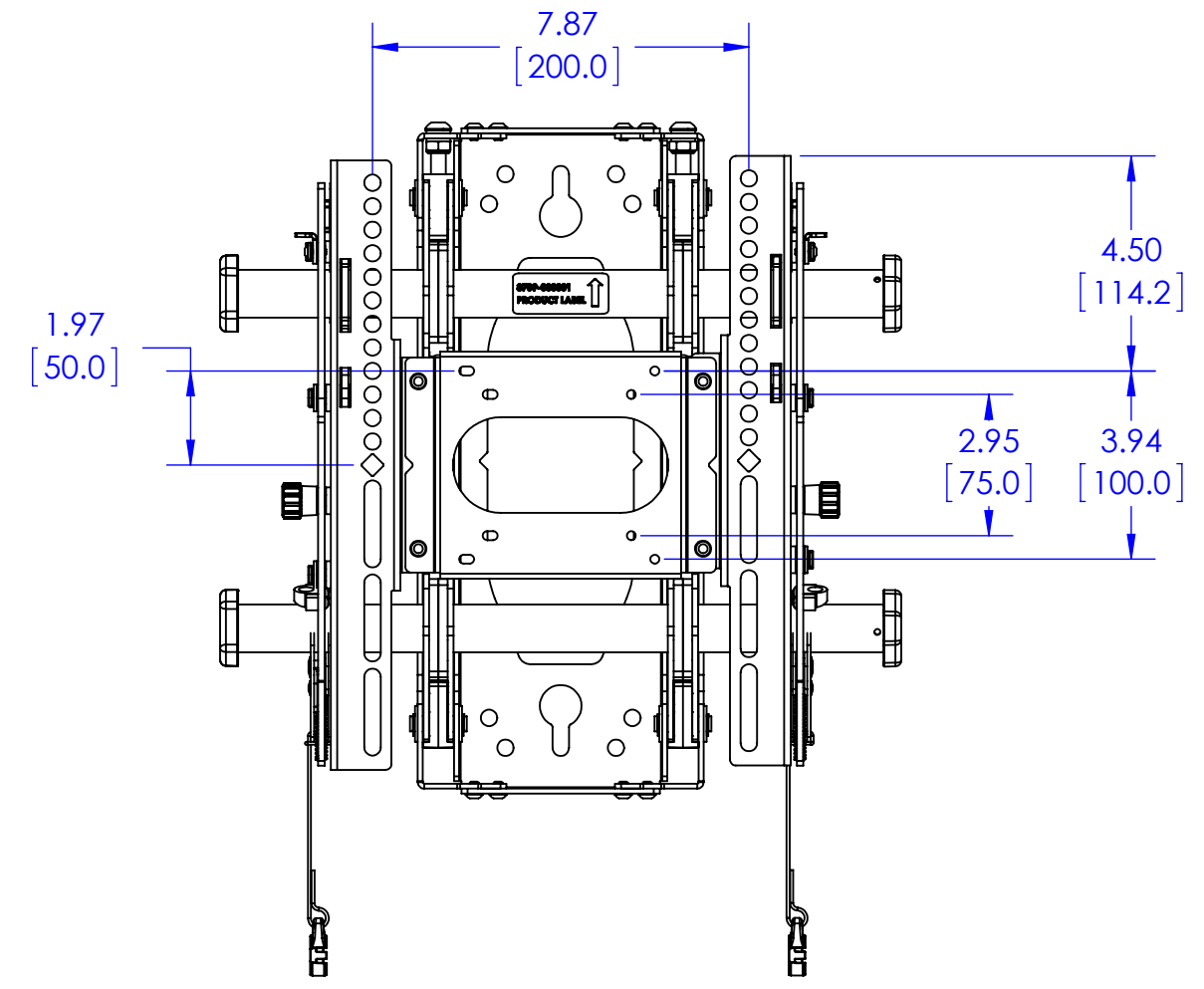
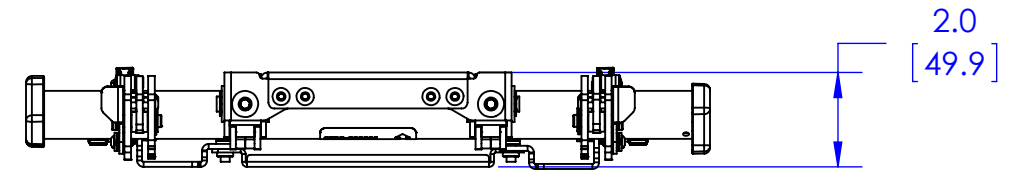
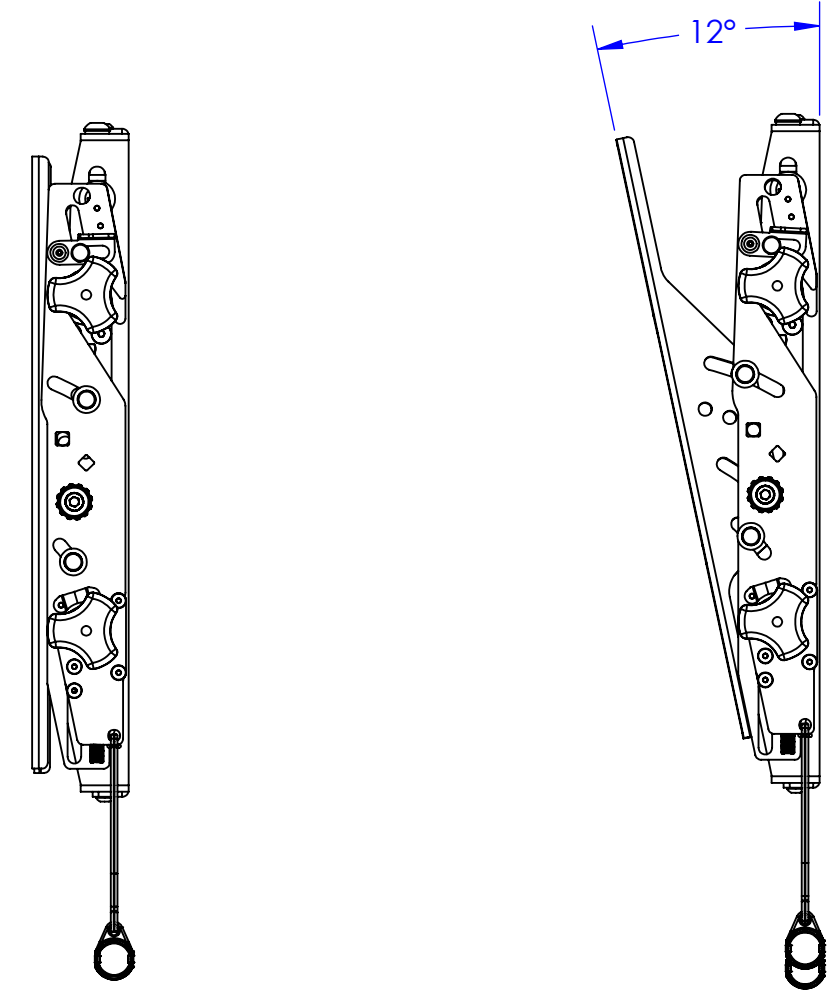


THE INFORMATION AND DESIGNS CONTAINED IN THIS DRAWING ARE CONFIDENTIAL AND THE PROPRIETARY PROPERTY OF MILESTONE AV TECHNOLOGIES NEITHER THIS DESIGN NOR ANY INFORMATION CONTAINED IN THIS DRAWING MAY BE REPRODUCED OR DISCLOSED TO OTHERS WITHOUT THE EXPRESS WRITTEN CONSENT OF MILESTONE AV TECHNOLOGIES.

CAD GENERATED DRAWING, DO NOT MANUALLY UPDATE.			6436 CITY WEST PKWY EDEN PRAIRIE MN, 55344 PHONE: 866-977-3901 FAX: 877-894-6918
DRAWN BY	JAB	2/2/2016	
ENG APPROVAL			DESCRIPTION
MFG APPROVAL			FUSION SMALL SINGLE STUD MOUNT
QA APPROVAL			MODEL NO.
SHEET 1 OF 2			STMS1U
SCALE		1:4	SIZE
			B
			DWG. NO.
			TECH-000751
			REV.
			00



SHOWN WITH 100 mm ADAPTER
(INCLUDED)



THE INFORMATION AND DESIGNS CONTAINED IN THIS DRAWING ARE CONFIDENTIAL AND THE PROPRIETARY PROPERTY OF MILESTONE AV TECHNOLOGIES NEITHER THIS DESIGN NOR ANY INFORMATION CONTAINED IN THIS DRAWING MAY BE REPRODUCED OR DISCLOSED TO OTHERS WITHOUT THE EXPRESS WRITTEN CONSENT OF MILESTONE AV TECHNOLOGIES.

CAD GENERATED DRAWING, DO NOT MANUALLY UPDATE.			6436 CITY WEST PKWY EDEN PRAIRIE MN, 55344 PHONE: 866-977-3901 FAX: 877-894-6918
DRAWN BY	JAB	2/2/2016	
ENG APPROVAL			DESCRIPTION FUSION SMALL SINGLE STUD MOUNT
MFG APPROVAL			MODEL NO. STMS1U
QA APPROVAL			SIZE DWG. NO. REV. B TECH-000751 00
SHEET 2 OF 2			SCALE 1:4