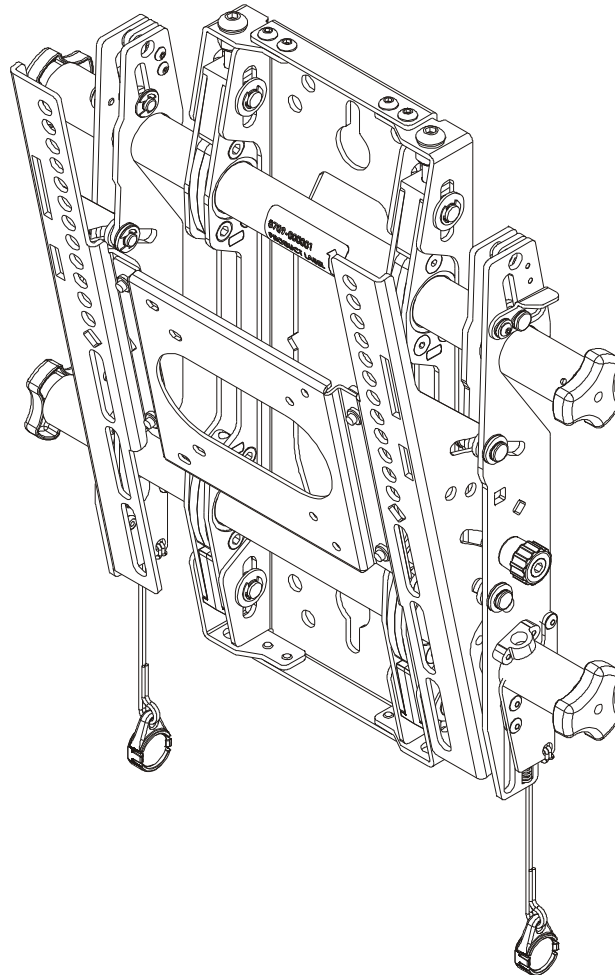

INSTALLATION INSTRUCTIONS



FUSION SMALL SINGLE STUD FLAT PANEL MOUNT

DISCLAIMER

Milestone AV Technologies and its affiliated corporations and subsidiaries (collectively "Milestone"), intend to make this manual accurate and complete. However, Milestone makes no claim that the information contained herein covers all details, conditions or variations, nor does it provide for every possible contingency in connection with the installation or use of this product. The information contained in this document is subject to change without notice or obligation of any kind. Milestone makes no representation of warranty, expressed or implied, regarding the information contained herein. Milestone assumes no responsibility for accuracy, completeness or sufficiency of the information contained in this document.

Chief® is a registered trademark of Milestone AV Technologies. All rights reserved.

DEFINITIONS

MOUNTING SYSTEM: A MOUNTING SYSTEM is the primary Chief product to which an accessory and/or component is attached.

ACCESSORY: AN ACCESSORY is the secondary Chief product which is attached to a primary Chief product, and may have a component attached or setting on it.

COMPONENT: A COMPONENT is an audiovisual item designed to be attached or resting on an accessory or mounting system such as a video camera, CPU, screen, display, projector, etc.



WARNING: A WARNING alerts you to the possibility of serious injury or death if you do not follow the instructions.



CAUTION: A CAUTION alerts you to the possibility of damage or destruction of equipment if you do not follow the corresponding instructions.



IMPORTANT SAFETY INSTRUCTIONS



WARNING: Failure to read, thoroughly understand, and follow all instructions can result in serious personal injury, damage to equipment, or voiding of factory warranty! It is the installer's responsibility to make sure all mounting systems are properly assembled and installed using the instructions provided.



WARNING: Failure to provide adequate structural strength for this mounting system can result in serious personal injury or damage to equipment! It is the installer's responsibility to make sure the structure to which this mounting system is attached can support five times the combined weight of all equipment. Reinforce the structure as required before installing the mounting system.



WARNING: Exceeding the weight capacity can result in serious personal injury or damage to equipment! It is the installer's responsibility to make sure the combined weight of all components and accessories attached to the STMS1U does not exceed 75 lbs (34.02 kg).



WARNING: Use this mounting system only for its intended use as described in these instructions. Do not use attachments not recommended by the manufacturer.



WARNING: Never operate this mounting system if it is damaged. Return the mounting system to a service center for examination and repair.



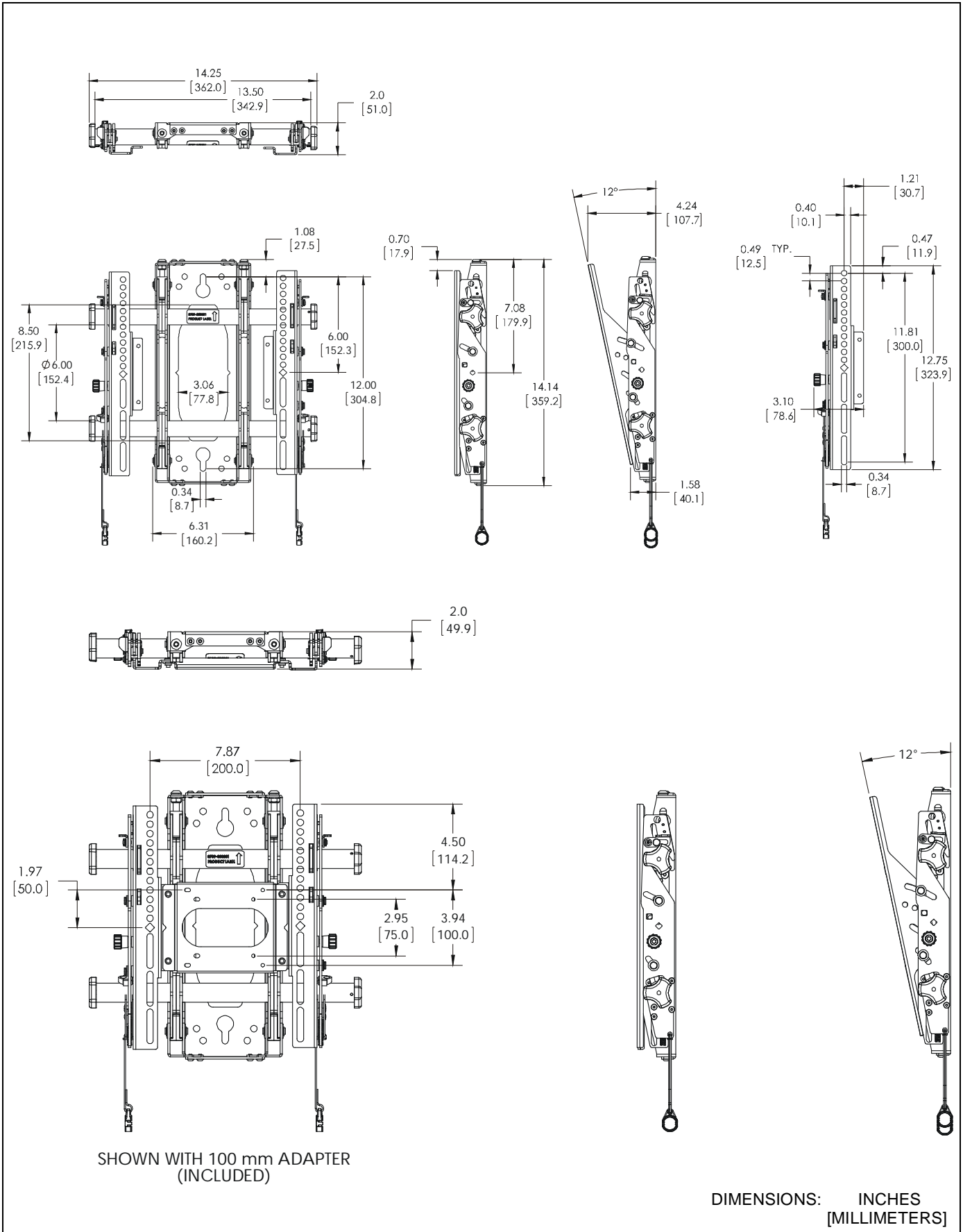
WARNING: Do not use this mounting system outdoors.

IMPORTANT ! : The STMS1U mounts are designed to be mounted to:

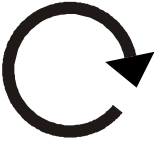

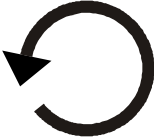









- a bare 8" thick concrete or 8"x8"x16" concrete block wall with NO drywall, or
- a 2" x 4" wood stud wall covered by drywall with maximum thickness of 5/8":

--SAVE THESE INSTRUCTIONS--

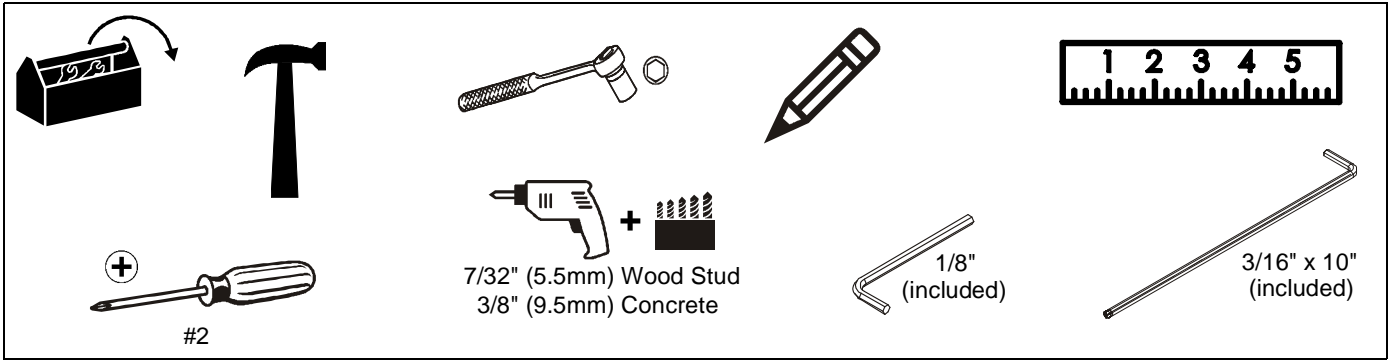
DIMENSIONS



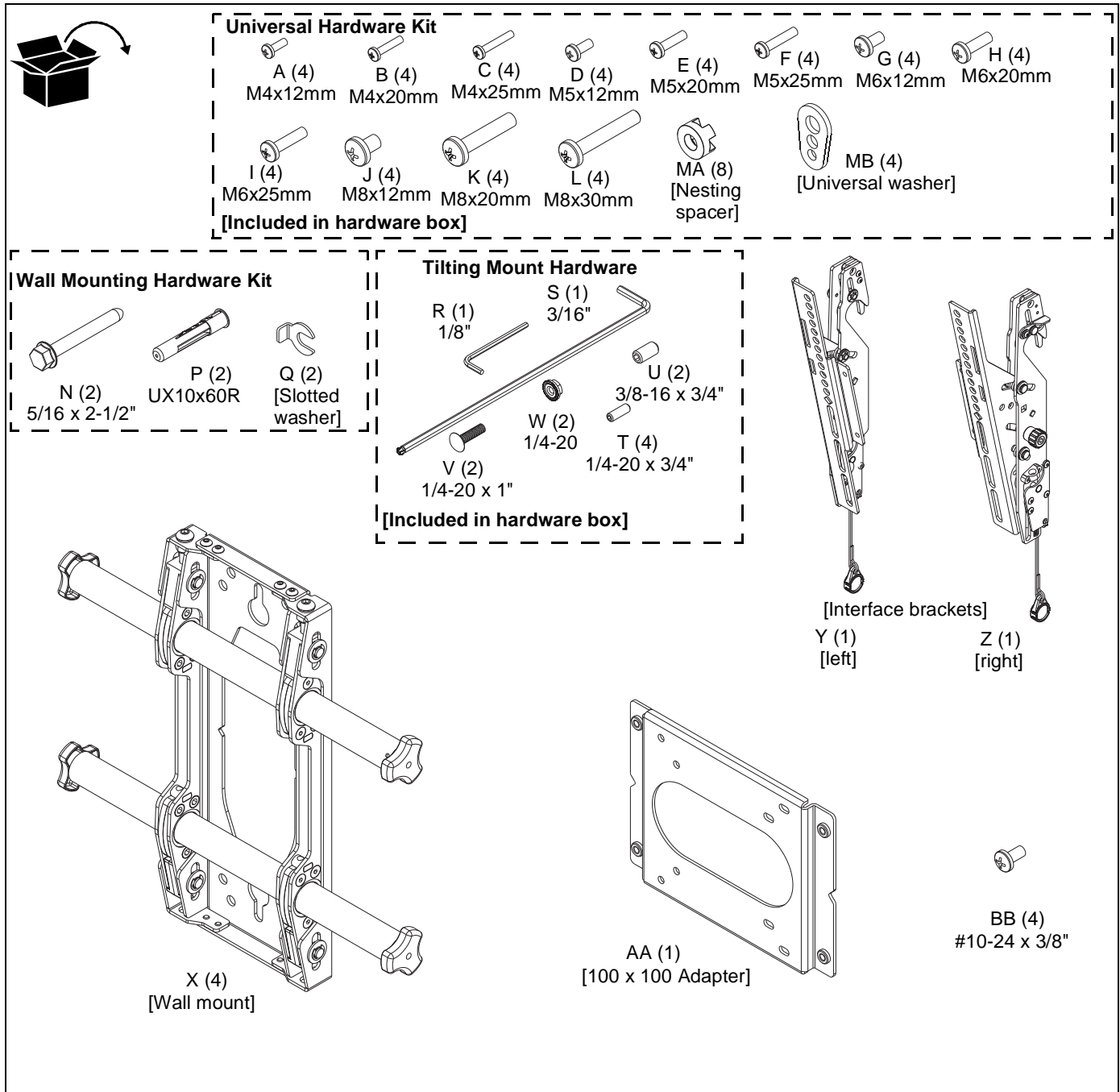
LEGEND

	<p>Tighten Fastener</p> <p>Apretar elemento de fijación</p> <p>Befestigungsteil festziehen</p> <p>Apertar fixador</p> <p>Serrare il fissaggio</p> <p>Bevestiging vastdraaien</p> <p>Serrez les fixations</p>		<p>Pencil Mark</p> <p>Marcar con lápiz</p> <p>Stiftmarkierung</p> <p>Marcar com lápis</p> <p>Segno a matita</p> <p>Potloodmerkten</p> <p>Marquage au crayon</p>
	<p>Loosen Fastener</p> <p>Aflojar elemento de fijación</p> <p>Befestigungsteil lösen</p> <p>Desapertar fixador</p> <p>Allentare il fissaggio</p> <p>Bevestiging losdraaien</p> <p>Desserrez les fixations</p>		<p>Drill Hole</p> <p>Perforar</p> <p>Bohrloch</p> <p>Fazer furo</p> <p>Praticare un foro</p> <p>Gat boren</p> <p>Percez un trou</p>
	<p>Phillips Screwdriver</p> <p>Destornillador Phillips</p> <p>Kreuzschlitzschraubendreher</p> <p>Chave de fendas Phillips</p> <p>Cacciavite a stella</p> <p>Kruiskopschroevendraaier</p> <p>Tournevis à pointe cruciforme</p>		<p>Adjust</p> <p>Ajustar</p> <p>Einstellen</p> <p>Ajustar</p> <p>Regolare</p> <p>Afstellen</p> <p>Ajuster</p>
	<p>Open-Ended Wrench</p> <p>Llave de boca</p> <p>Gabelschlüssel</p> <p>Chave de bocas</p> <p>Chiave a punte aperte</p> <p>Steeksleutel</p> <p>Clé à fourche</p>		<p>Remove</p> <p>Quitar</p> <p>Entfernen</p> <p>Remover</p> <p>Rimuovere</p> <p>Verwijderen</p> <p>Retirez</p>
	<p>By Hand</p> <p>A mano</p> <p>Von Hand</p> <p>Com a mão</p> <p>A mano</p> <p>Met de hand</p> <p>À la main</p>		<p>Optional</p> <p>Opcional</p> <p>Optional</p> <p>Opcional</p> <p>Opzionale</p> <p>Optie</p> <p>En option</p>
	<p>Hex-Head Wrench</p> <p>Llave de cabeza hexagonal</p> <p>Sechskantschlüssel</p> <p>Chave de cabeça sextavada</p> <p>Chiave esagonale</p> <p>Zeskantsleutel</p> <p>Clé à tête hexagonale</p>		<p>Security Wrench</p> <p>Llave de seguridad</p> <p>Sicherheitsschlüssel</p> <p>Chave de segurança</p> <p>Chiave di sicurezza</p> <p>Veiligheidsleutel</p> <p>Clé de sécurité</p>

TOOLS REQUIRED FOR INSTALLATION



PARTS



INSTALLATION

The STMS1U mounts are designed to be mounted to a bare 8" thick concrete or 8"x8"x16" concrete block wall with NO drywall; or a 2" x 4" wood stud wall covered by drywall of 5/8" maximum thickness.

The STMS1U has brackets which allow the TV to be tilted.

Locate Mounting Site



WARNING: IMPROPER INSTALLATION CAN LEAD TO MOUNT FALLING CAUSING SEVERE PERSONAL INJURY OR DAMAGE TO EQUIPMENT! It is the installers responsibility to make certain the structure to which the mount is being attached is capable of supporting five times the combined weight of all components located on the mount, not to exceed 75 lbs (34.02 kg).

NOTE: Proceed to either the **Installing to a Wood Stud Wall** section or the **Installing to a Concrete Wall** section.

Installing to a Wood Stud Wall

1. Determine the center of the TV screen, and where it should be located on the wall.
2. Locate the stud at the selected location.
3. Line up the notches on wall mount (X) with center of screen marking to determine vertical center. (See Figure 1)
4. Measure up 6" (152.4 mm) from the center point to mark location of the upper mounting slots.

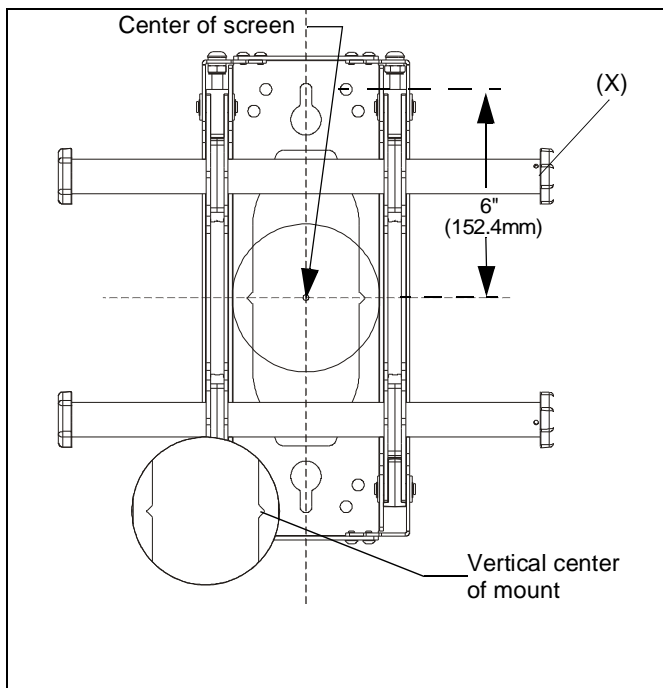


Figure 1

5. Mark the wall on the stud to attach the mount through the upper mounting slot. (See Figure 2)
6. Drill one 7/32" (5.5mm) pilot hole in stud.
7. Partially install one 5/16 x 2-1/2" flanged lag bolt (N) into pilot holes but do not tighten to wall.

8. Hang mount (X), aligning upper mounting slot over lag bolt.
9. Place one slotted washer (Q) over flanged lag bolt. (See Figure 2)
10. Tighten lag bolt to secure mount (X) to wall at upper mounting slot.

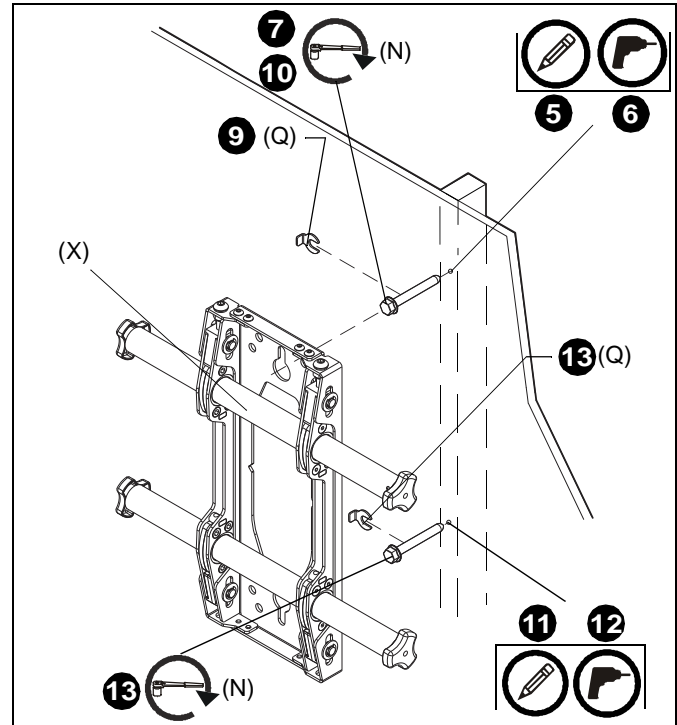


Figure 2

11. Mark the attachment points for the lower mounting slot, making sure the attachment point is located on the stud. (See Figure 2)
12. Drill 7/32" (5.5mm) pilot hole at marking for lower mounting hole. (See Figure 2)
13. Use one 5/16 x 2-1/2" flanged lag bolts (N) and one 5/16" slotted washers (Q) to attach the mount to the wall through the lower mounting hole. (See Figure 2)
14. Proceed to **Locking Rails** section.

Installing to a Concrete Wall

1. Determine the center of the TV screen, and where it should be located on the wall.
2. Line up the notches on mount (X) with center of screen marking to determine vertical center. (See Figure 1)
3. Measure up 6" (152.4mm) from the center point to mark location of the upper mounting slot. (See Figure 1)
4. Mark the wall through upper mounting slot. (See Figure 3)

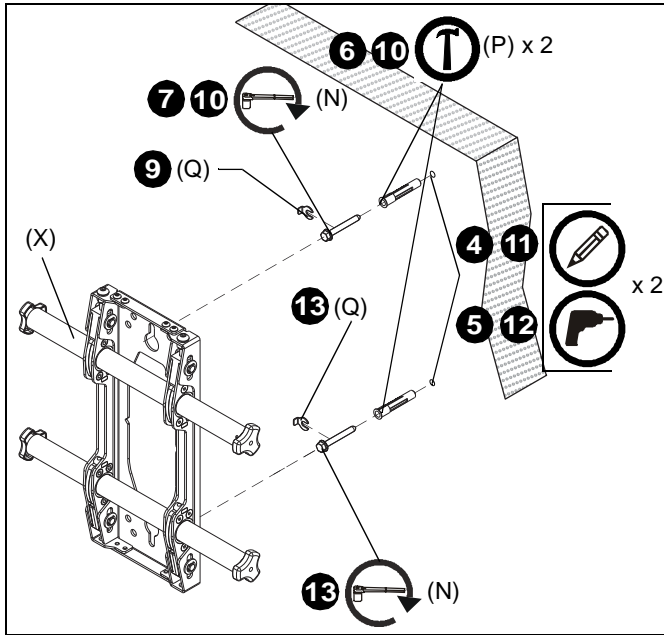


Figure 3

5. Drill one 3/8" x 3-1/2" (9.5mm x 88.9mm) pilot hole at each marking.
6. Install one anchor (P) into pilot hole using a hammer, making sure that the anchor is flush with the wall.
7. Partially install one 5/16 x 2-1/2" flanged lag bolt (N) into pilot hole but do not tighten to wall.
8. Hang mount (X), aligning upper mounting slot over lag bolt. (See Figure 3)
9. Place one slotted washer (Q) over flanged lag bolt. (See Figure 3)
10. Tighten lag bolt to secure mount (X) to wall at upper mounting slots.
11. Mark the attachment point for the lower mounting slot. (See Figure 3)
12. Drill 3/8" x 3-1/2" (9.5mm x 88.9mm) pilot hole at marking for lower mounting hole. (See Figure 3)
13. Use one 5/16 x 2-1/2" flanged lag bolt (N) and one 5/16" slotted washer (Q) to attach the mount to the wall through the lower mounting hole. (See Figure 3)
14. Slide rails to approximate center of screen location.

Locking Rails (Optional)

1. Lock rails into place using two 1/4-20 x 3/4" set screws (T) on mount upright (X) and the 1/8" hex key (R). (See Figure 4)
2. Repeat for remaining mount upright.

NOTE: To easily install upper set screw against upper rail, place set screw (T) onto hex key (R), and feed up into hole while turning to tighten.

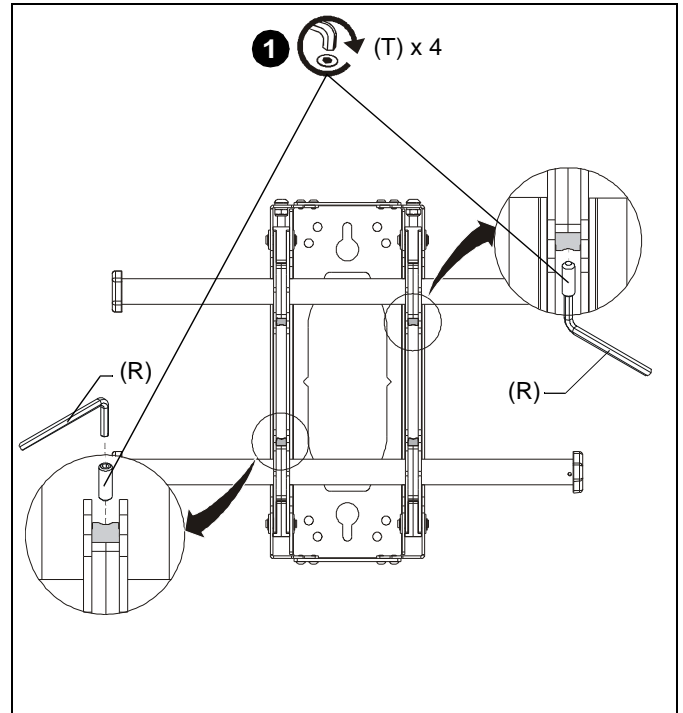


Figure 4

Attaching Interface Brackets to Screen

NOTE: For 100x100mm and 75x75mm hole patterns, the 100x100 adapter must be installed. For all other hole patterns, proceed ahead to step 2.

1. **(100x100mm and 75x75mm hole patterns ONLY)** Use four #10-24 X 3/8" Phillips pan machine screws (BB) to secure two interface brackets (Y and Z) to adapter bracket (AA). (See Figure 5)

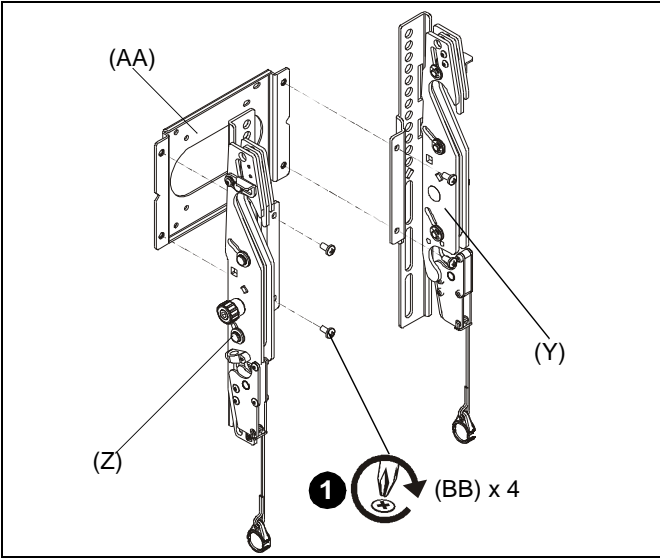


Figure 5

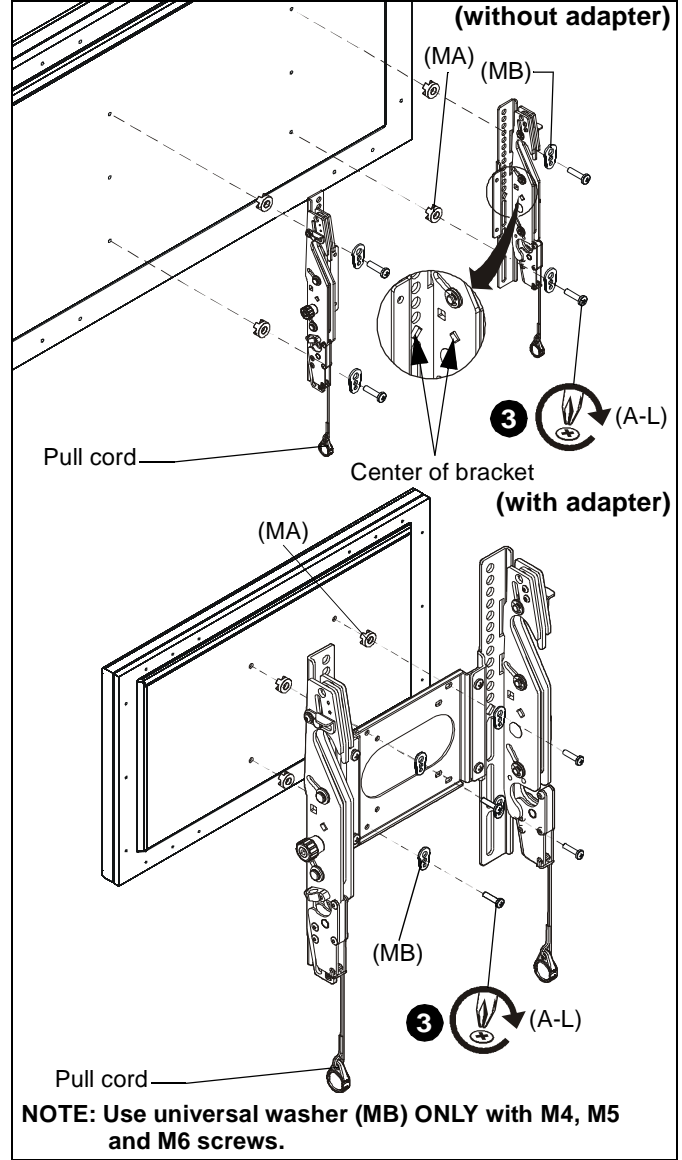
2. Align the center of the bracket (Y and Z) with center of screen. (See Figure 6)

NOTE: The diamond-shape holes in the bracket correspond to the center of the mount.



WARNING: IMPROPER INSTALLATION CAN LEAD TO DISPLAY FALLING CAUSING SERIOUS PERSONAL INJURY OR DAMAGE TO EQUIPMENT! Using screws of improper size may damage your display. Properly sized screws will easily and completely thread into display mounting holes. If spacers are required, be sure to use longer screws of the same diameter.

3. Select correct screws, nesting spacers (if necessary) and universal washers (if required) from the hardware bag (A-L) and attach brackets to back of screen. (See Figure 6)



NOTE: Use universal washer (MB) ONLY with M4, M5 and M6 screws.

Figure 6

IMPORTANT ! : The M8 screws do **NOT** require a washer. Use the universal washer (MB) only with M4, M5 and M6 screws.

NOTE: The nesting spacers (MA) may be used separately, or put two together in different configurations to create different size spacers. (See Figure 7)

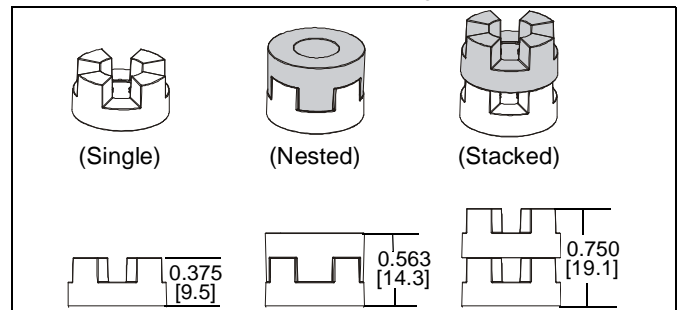


Figure 7

Attaching Screen to Wall Mount

NOTE: Interface brackets (Y and Z) cannot be installed inside the two upright brackets of wall mount! Both interface bracket must be installed to the outside of the upright brackets. (See Figure 8)

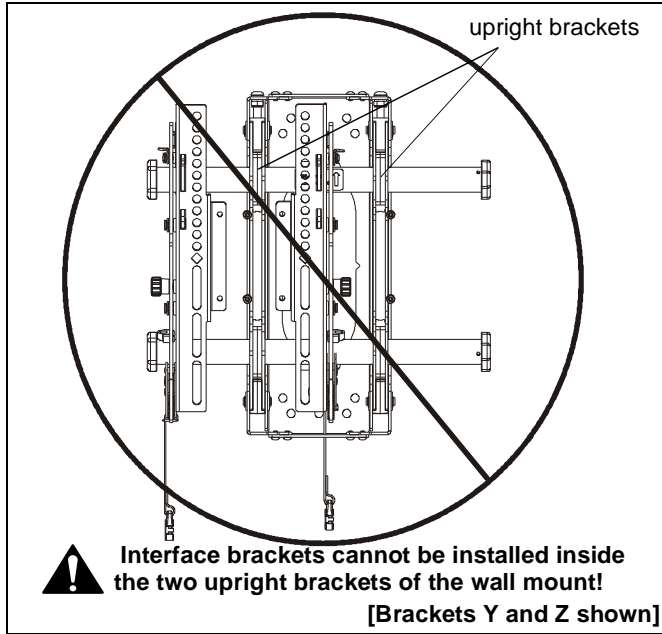


Figure 8

1. Hang screen onto the top rail of the mount (X). (See Figure 9)
 - Move latch on top of interface brackets to OPEN position and hang top hook of interface bracket (Y and Z) onto the top rail of the mount (X). (See Figure 9)

NOTE: The screen initially installs into the "service mode" to allow easy cable access.

2. Adjust screen and rails to desired viewing position.
3. Route cables between wall and rails.



CAUTION: PINCH POINTS! Keep fingers, hands and cables out of pinch point areas.

4. Pull downward on the pull cords and swing inward toward wall, latching interface brackets to lower rail and fastening bottom of screen to the mount.
5. Attach end of pull cord (a magnet) to mount so it does not extend beyond bottom of screen. (See Figure 9)

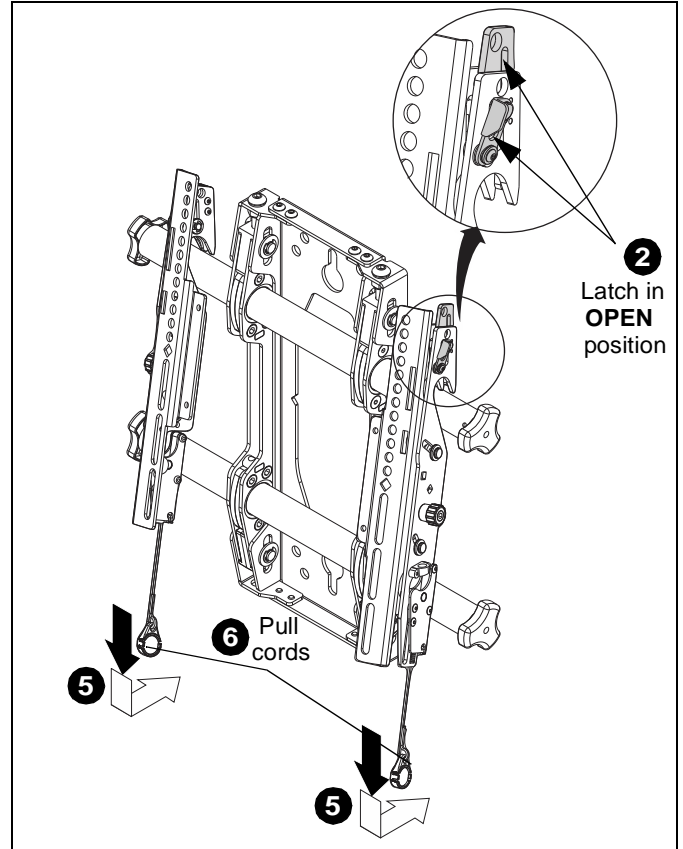


Figure 9

Adjustments

Roll/Height Adjustment of Wall Brackets

NOTE: The height adjust wall brackets allow adjustment of $\pm 1/2"$.

1. Turn to right (tighten) to raise side of screen. (See Figure 10)
2. Turn to left (loosen) to lower side of the screen.

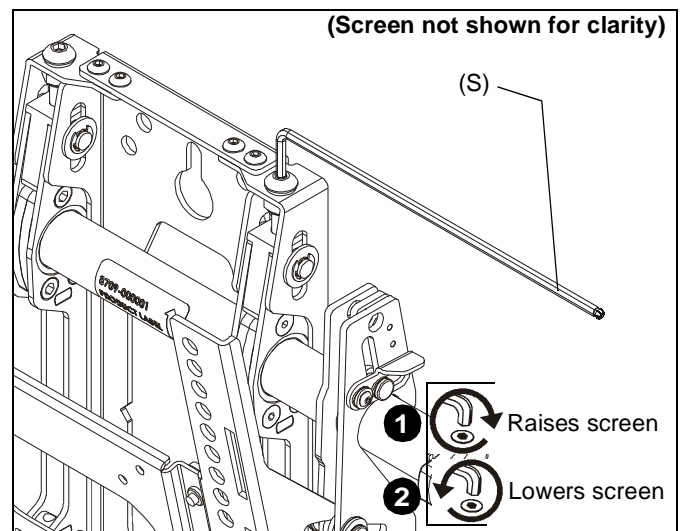


Figure 10

Tilt

The interface brackets (Y and Z) allow from -2° to 12° tilt, and can be locked at 0°, 6° and 12°.

1. Loosen the interface bracket knob.
2. Adjust tilt as required. (See Figure 11)
3. The tilt may be locked at 0°, 6° or 12° using one 1/4-20 x 1" round head carriage bolt (V) and one 1/4-20 hex nut (W) per interface bracket. (See Figure 11)
4. Tighten interface bracket knob as necessary.

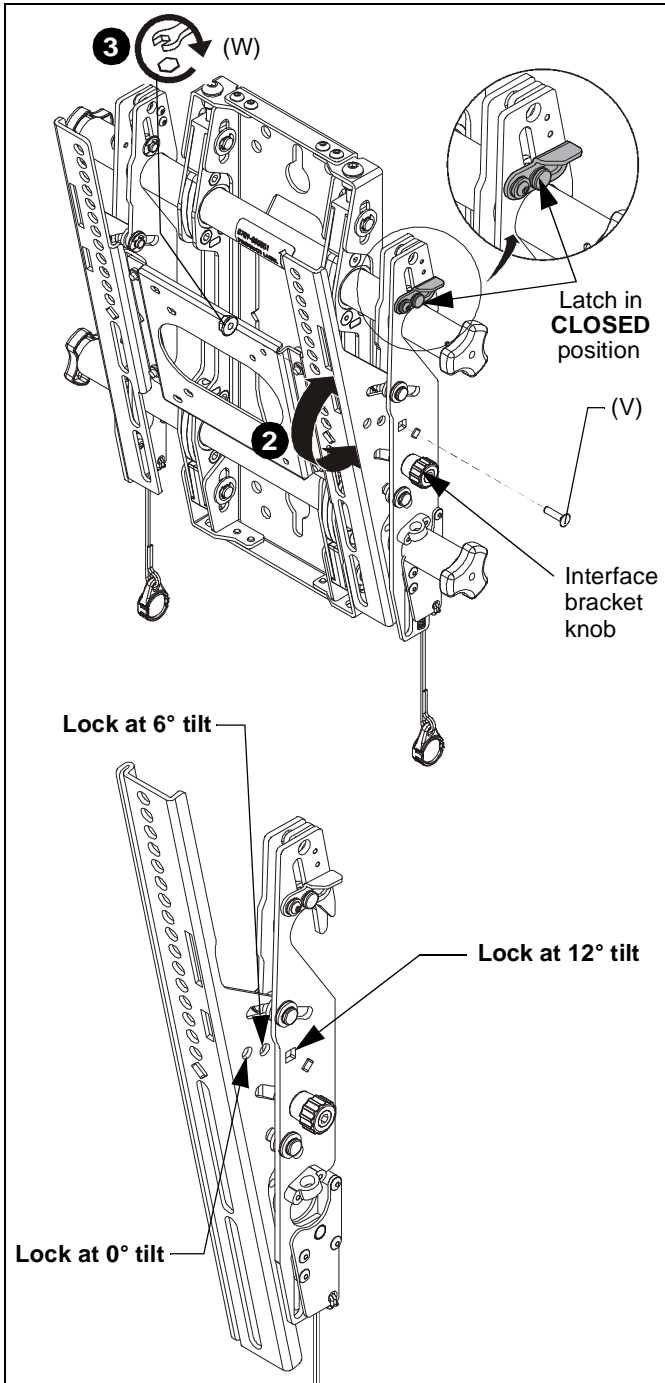


Figure 11

Locking Screen Interface Brackets (Optional)

1. Lock screen interface brackets onto mount rails using one 3/8-16 x 3/4" set screw (U) on each interface bracket. (See Figure 12)

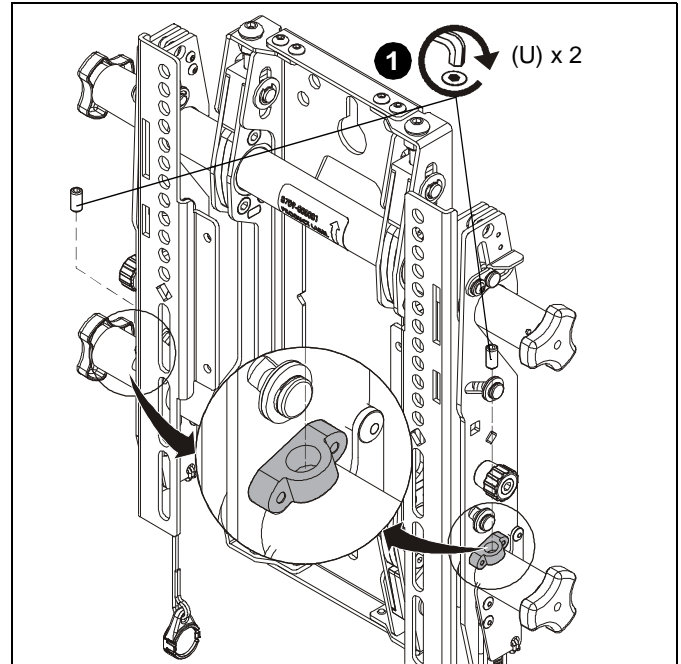


Figure 12

Locking Mount (Optional)

1. Add padlock (not included) to interface bracket to complete security. (See Figure 13)

NOTE: The padlock maximum shackle diameter is 5/16" (7.9 mm).

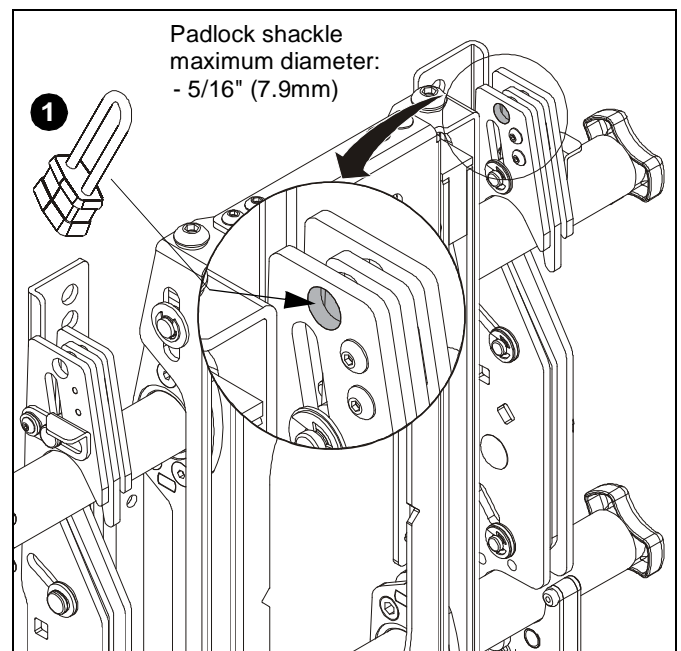


Figure 13



Our Mounts. **Your Vision.**

Chief, a products division of
Milestone AV Technologies

8800-002881 Rev00
©2016 Milestone AV Technologies
www.milestone.com
9/16

USA/International	A 6436 City West Parkway, Eden Prairie, MN 55344
	P 800.582.6480 / 952.225.6000
	F 877.894.6918 / 952.894.6918
Europe	A Franklinstraat 14, 6003 DK Weert, Netherlands
	P +31 (0) 495 580 852
	F +31 (0) 495 580 845
Asia Pacific	A Office No. 918 on 9/F, Shatin Galleria 18-24 Shan Mei Street Fotan, Shatin, Hong Kong
	P 852 2145 4099
	F 852 2145 4477

