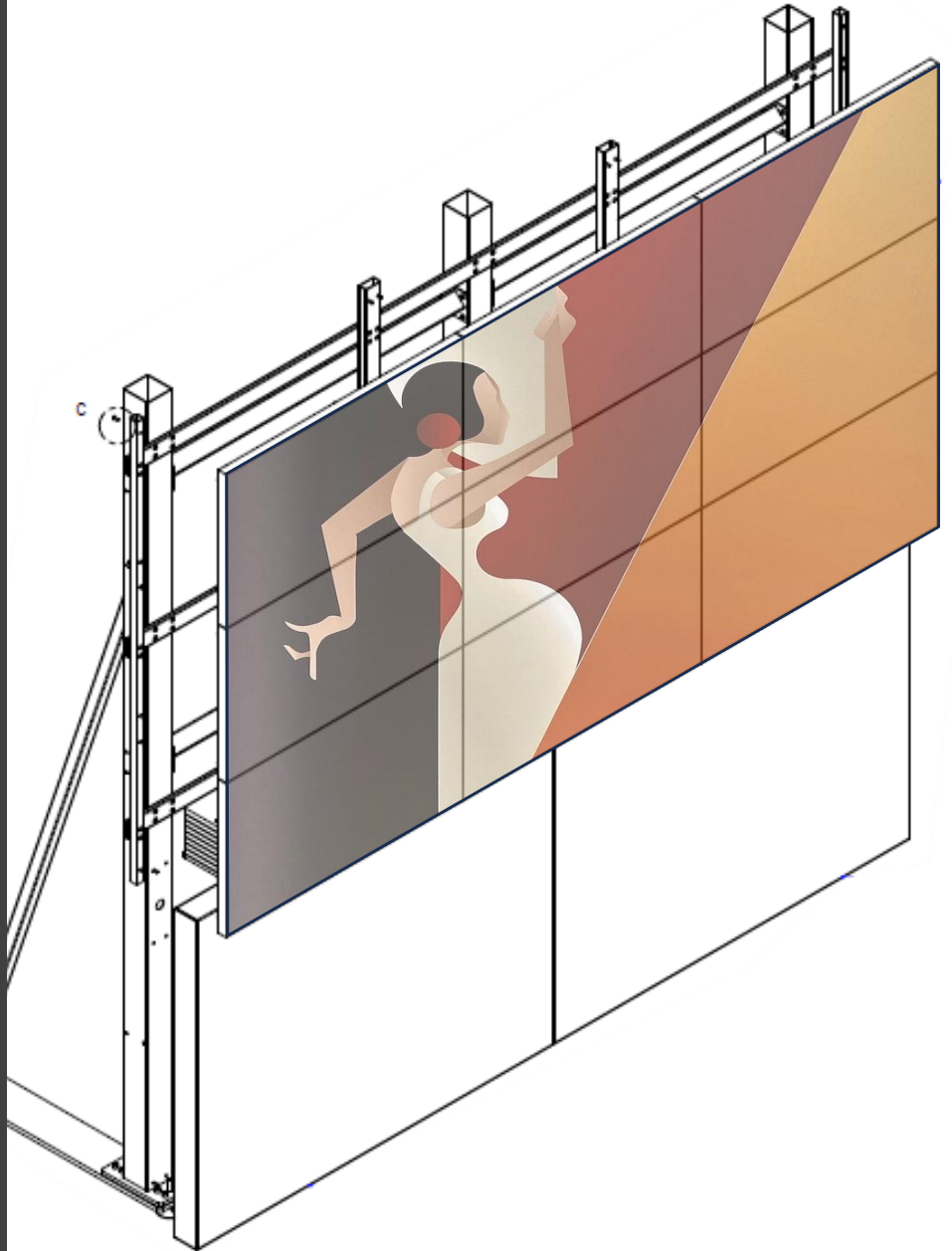


dvLED FREESTANDING STRUCTURE
PROFESSIONAL DISPLAY SUPPORT

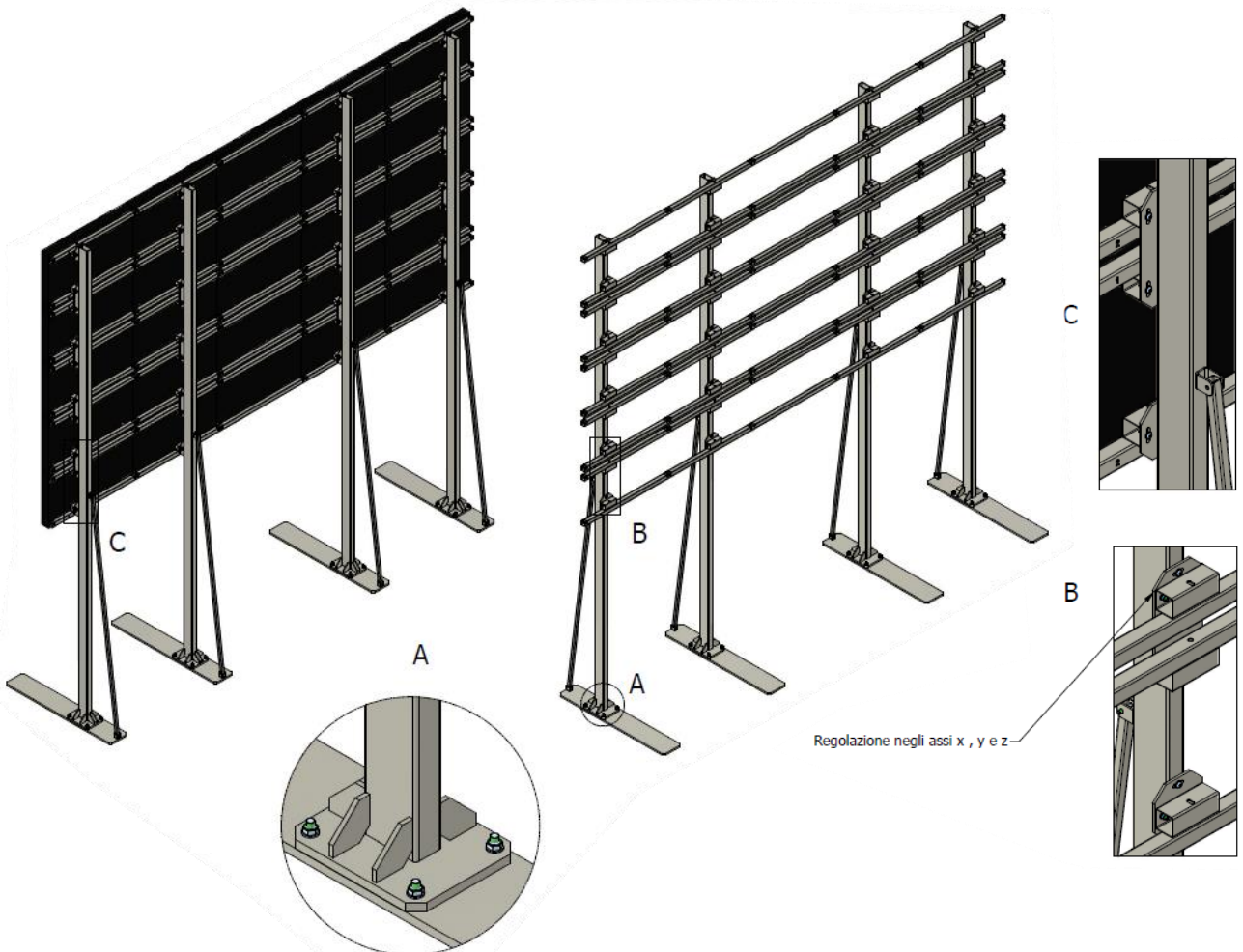
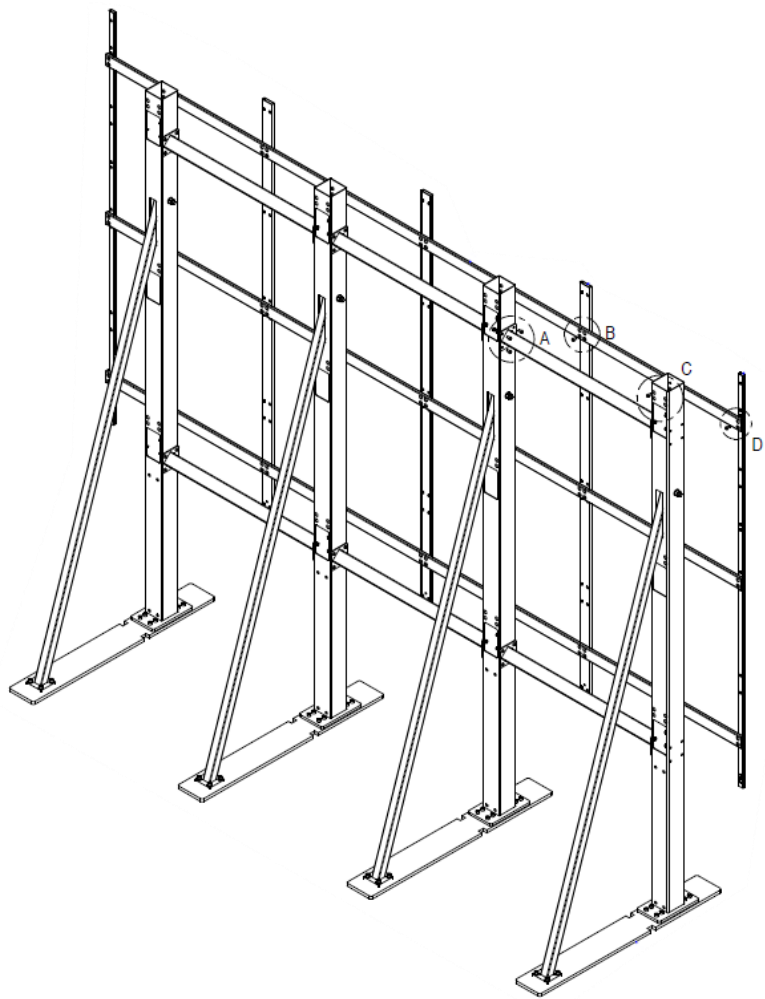


Each structure is designed based on the customer's needs and the size of the individual LED tile.

It can have counterbalance on the back or on the front.

The bases have feet to adjust the heights, furthermore the structure allows adjustments of the X, Y and Z axes.

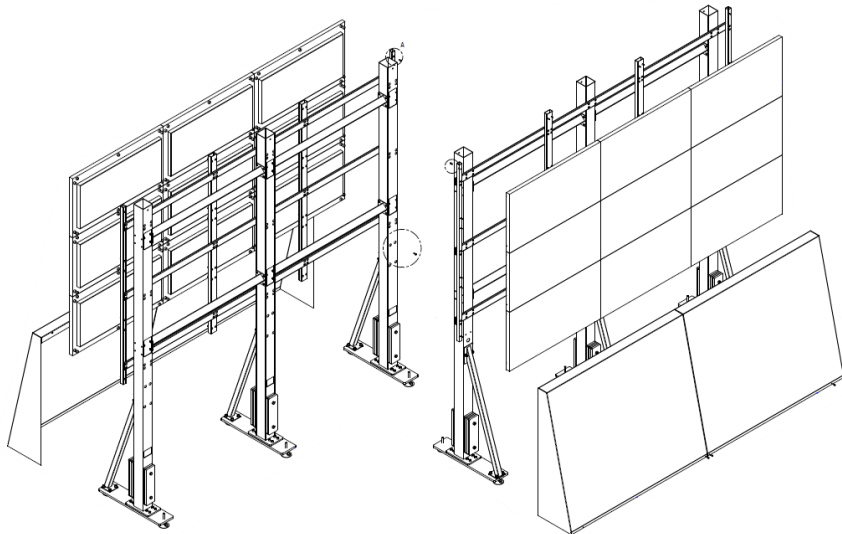
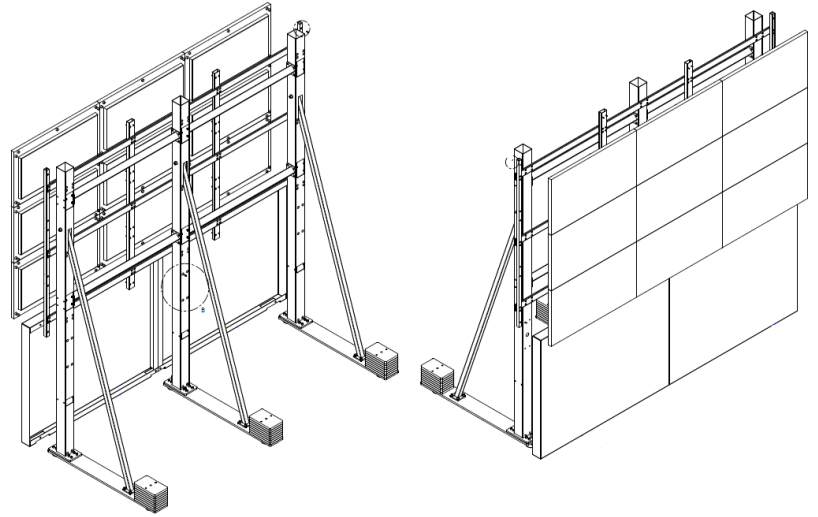
If necessary, OMB provides a document called "Structural Calculation Report". This document, countersigned by our engineers, guarantees that the structure has been developed adequately and in line with anti-tipping and fall regulations in the event of particular events (e.g. earthquakes).



Example of self-supporting structure with counterbalance on the back.

With this structure design, the face of the LED is completely free from obstructions.

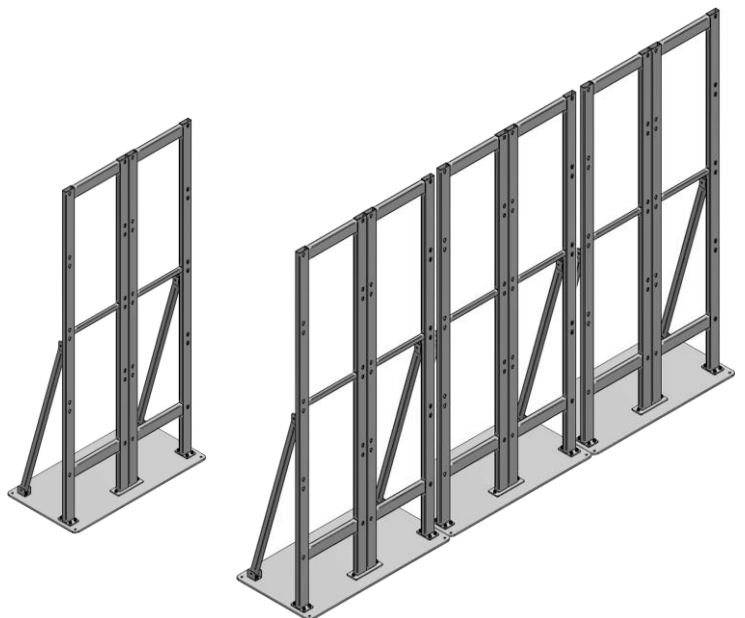
For aesthetic reasons it is possible to cover the front base of the structure with metal covers in a color chosen by the customer



If space on the back of the LED structure is limited, We can create the structure by balancing the weight slightly on the back and slightly on the front.

Also in this case it is possible to create front covers to hide the base of the structure.

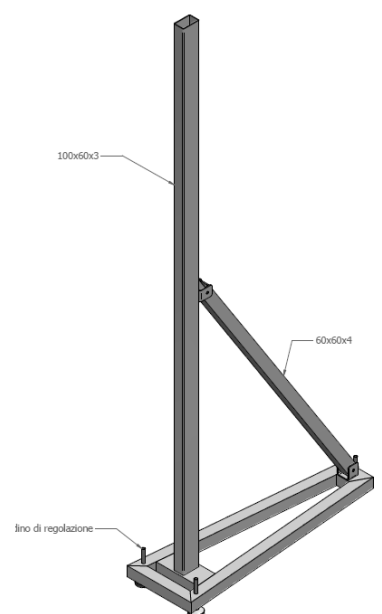
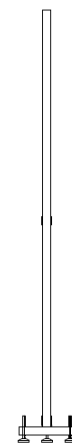
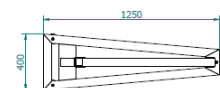
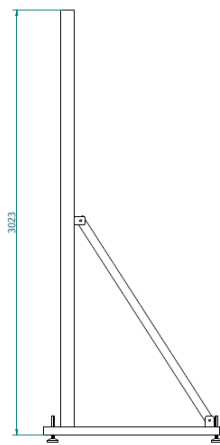
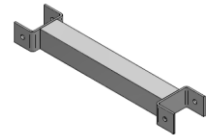
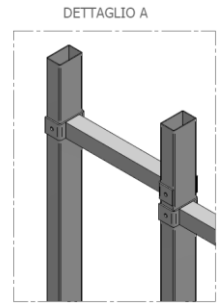
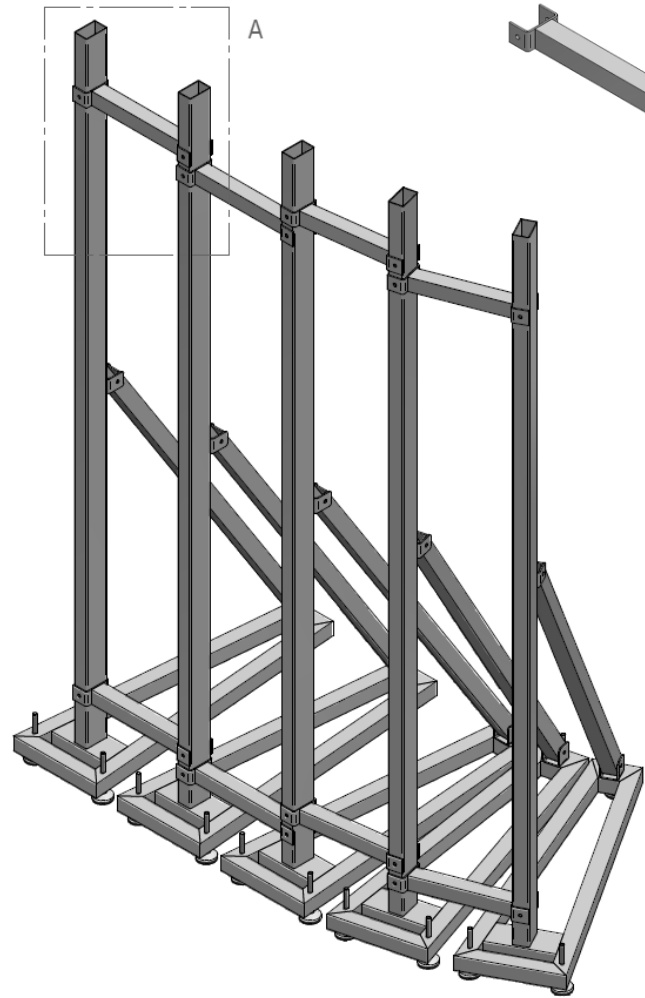
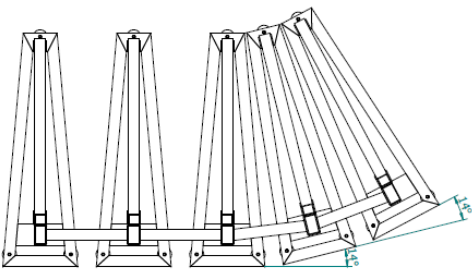
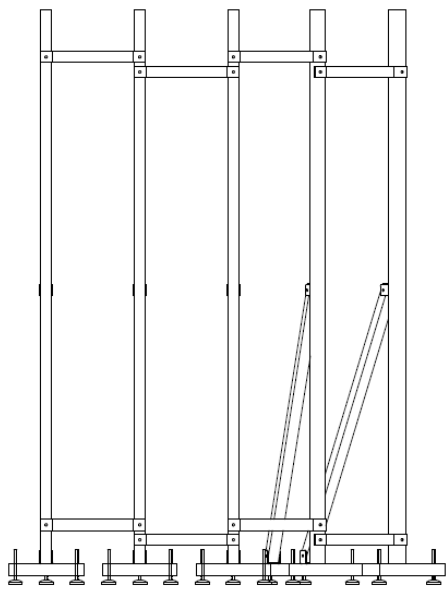
OMB also provides structures that can be used individually (TOTEM style) or combined to create a larger LED.



Example of self-supporting CURVED structure with counterbalance on the back.

With this structure design, the face of the LED is completely free from obstructions.

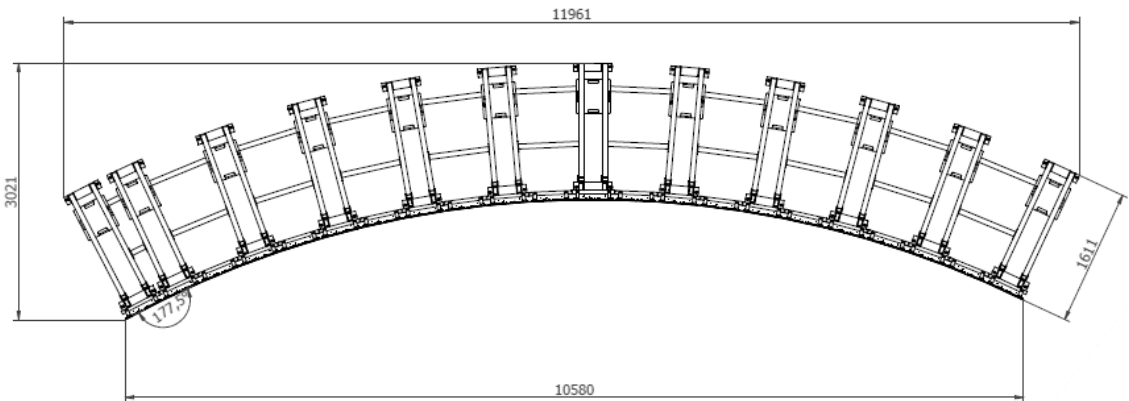
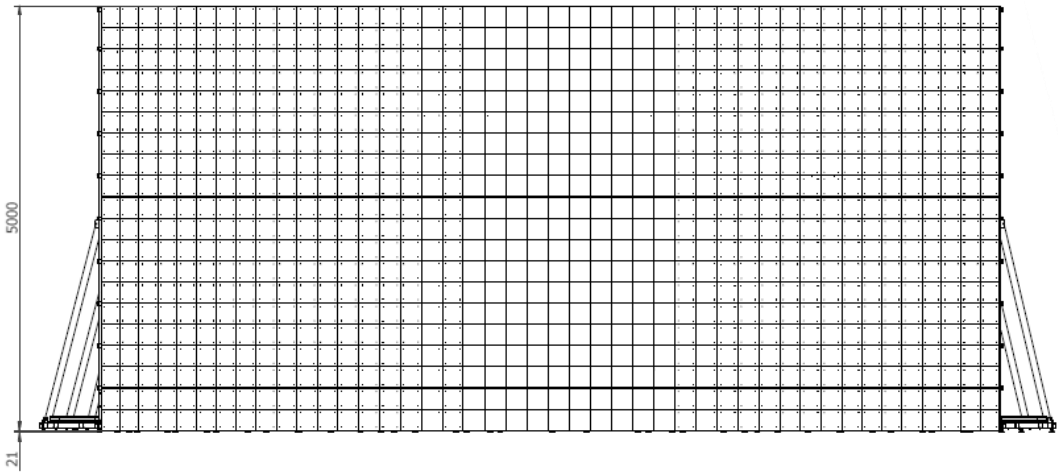
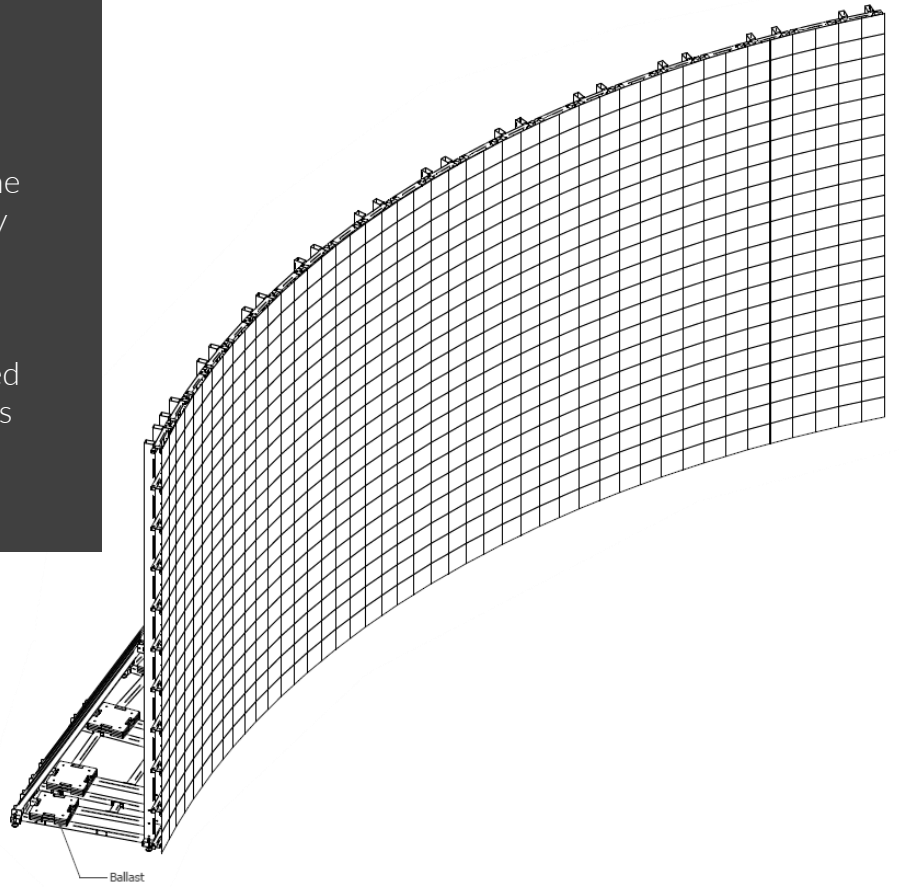
The structure can be designed for concave or convex shapes



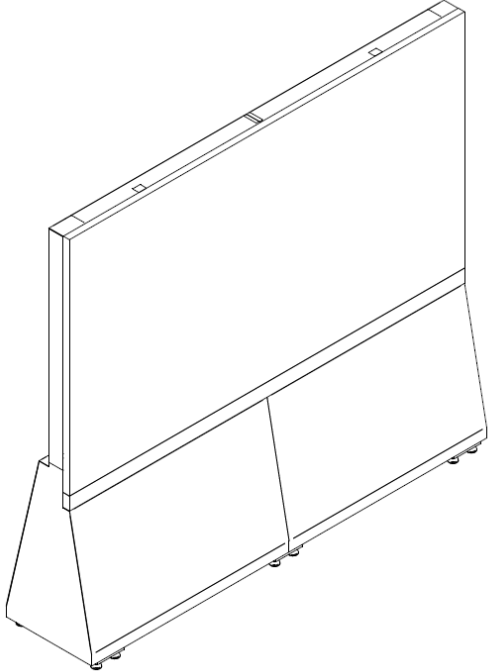
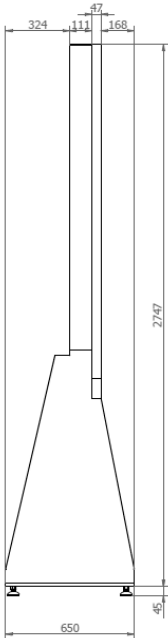
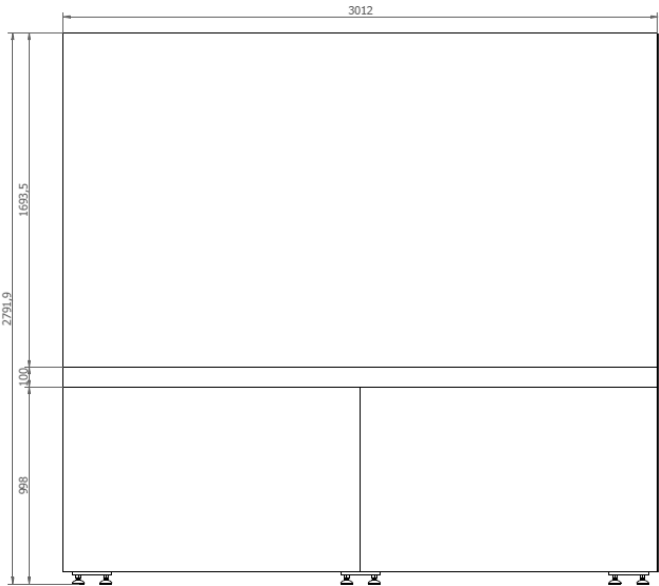
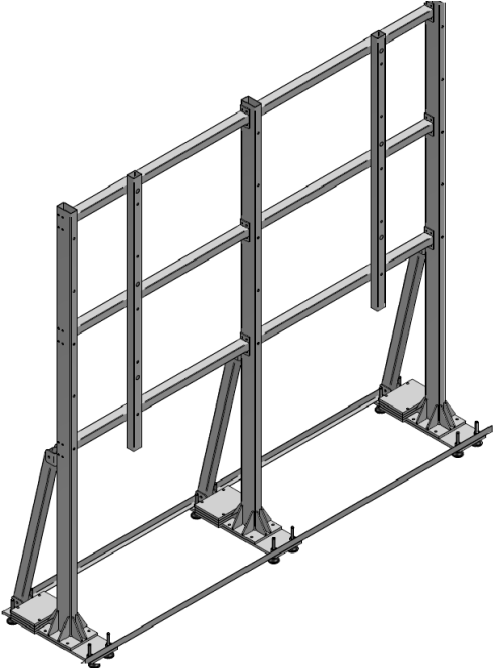
Example of self-supporting
CURVED structure with
counterbalance on the back.

With this structure design, the
face of the LED is completely
free from obstructions.

The structure can be designed
for concave or convex shapes



Example of freestanding structure with metal cover suitable for LED ALL-IN-ONE 135°.





OMB srl | Via Risorgimento, 25 | 38070 STENICO (TN) | ITALY
Tel. +39 0465 771036 | omb@ombitaly.it | www.ombitaly.it