

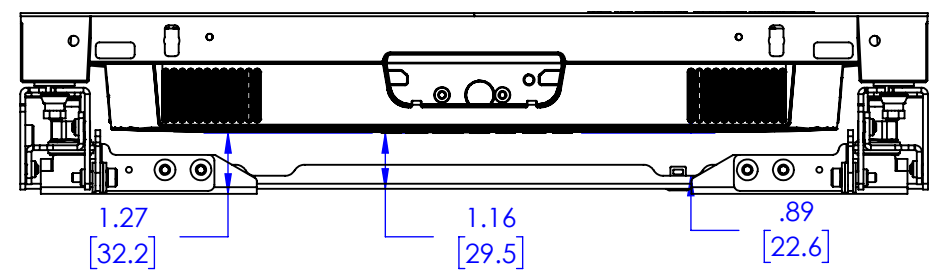
PLUMB ADJUSTMENT

PRODUCT LABEL

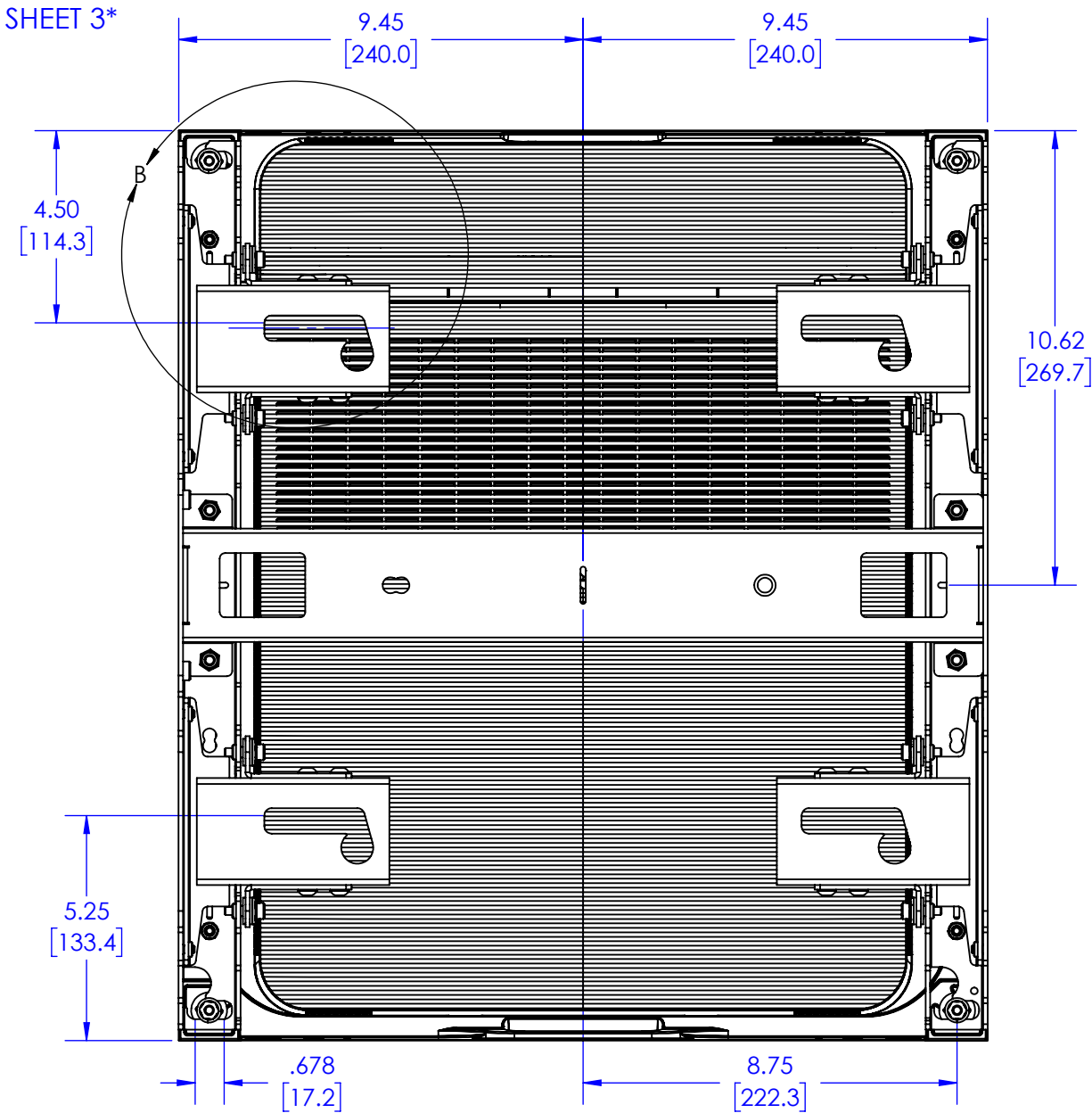
DETAIL A
SCALE 1:2

THE INFORMATION AND DESIGNS CONTAINED IN THIS DRAWING ARE CONFIDENTIAL AND THE PROPRIETARY PROPERTY OF LEGRAND | AV. NEITHER THIS DESIGN NOR ANY INFORMATION CONTAINED IN THIS DRAWING MAY BE REPRODUCED OR DISCLOSED TO OTHERS WITHOUT THE EXPRESS WRITTEN CONSENT OF LEGRAND | AV.

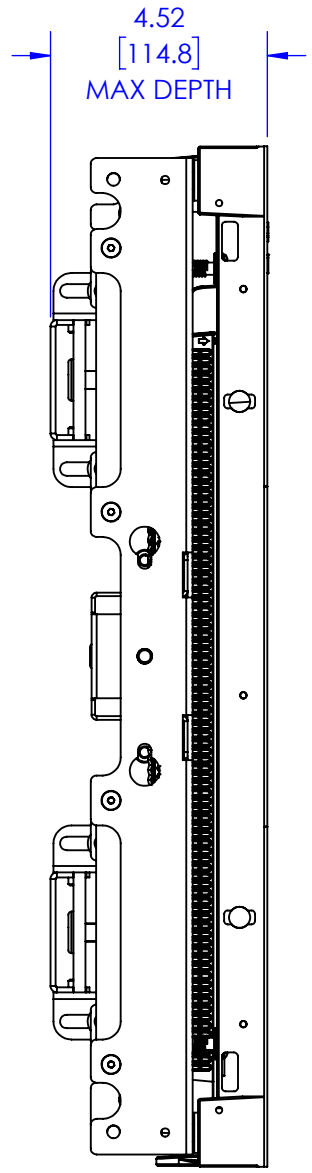
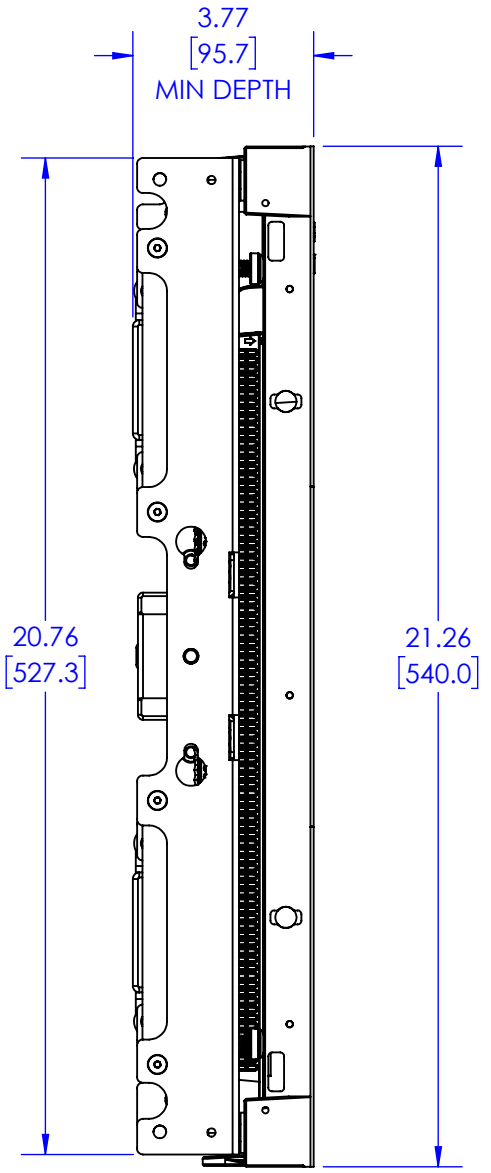
CAD GENERATED DRAWING, DO NOT MANUALLY UPDATE.		CHIEF		6436 CITY WEST PKWY EDEN PRAIRIE MN, 55344 PHONE: 866-977-3901 FAX: 877-894-6918	
DRAWN BY	MM	5/18/2020	DESCRIPTION SAMSUNG IFH, LED MOUNT, 1-HIGH		
ENG APPROVAL			MODEL NO. TIL1X1IFH		
MFG APPROVAL			SCALE 1:4		
QA APPROVAL			SIZE	DWG. NO.	REV.
SHEET 1 OF 3		1:4	B	TECH-001056	00



DETAIL VIEW ON SHEET 3

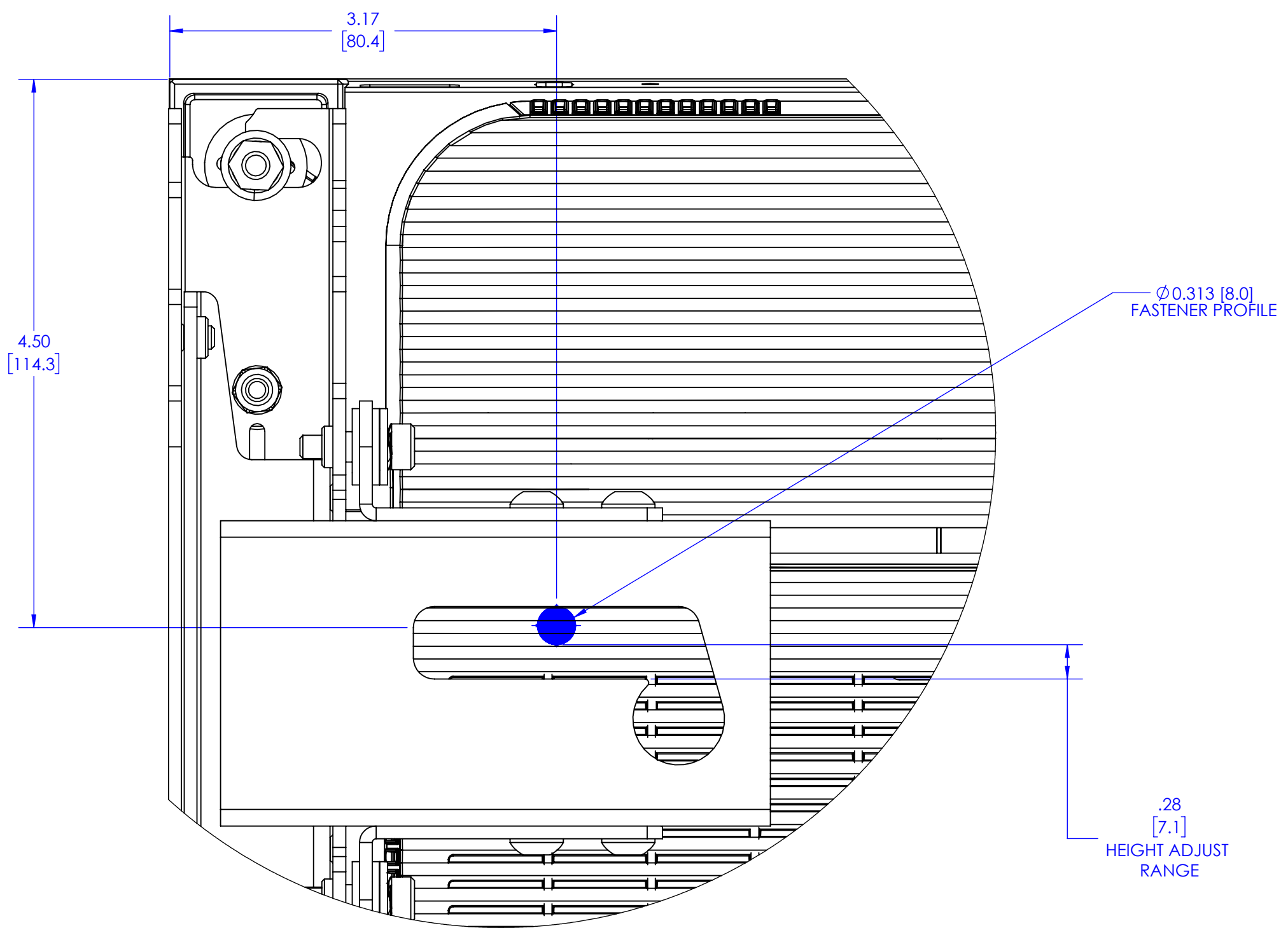


REAR VIEW
(WALL SIDE)




THE INFORMATION AND DESIGNS CONTAINED IN THIS DRAWING ARE CONFIDENTIAL AND THE PROPRIETARY PROPERTY OF LEGRAND | AV. NEITHER THIS DESIGN NOR ANY INFORMATION CONTAINED IN THIS DRAWING MAY BE REPRODUCED OR DISCLOSED TO OTHERS WITHOUT THE EXPRESS WRITTEN CONSENT OF LEGRAND | AV.

CAD GENERATED DRAWING, DO NOT MANUALLY UPDATE.					6436 CITY WEST PKWY EDEN PRAIRIE, MN, 55344 PHONE: 866-977-3901 FAX: 877-894-6918	
DRAWN BY	MM	5/18/2020	DESCRIPTION			
ENG APPROVAL			SAMSUNG IFH, LED MOUNT, 1-HIGH			
MFG APPROVAL			MODEL NO.			
QA APPROVAL			TIL1X1IFH			
SHEET 2 OF 3		SCALE	SIZE	DWG. NO.	REV.	
		1:4	B	TECH-001056	00	



DETAIL B

THE INFORMATION AND DESIGNS CONTAINED IN THIS DRAWING ARE CONFIDENTIAL AND THE PROPRIETARY PROPERTY OF LEGRAND | AV. NEITHER THIS DESIGN NOR ANY INFORMATION CONTAINED IN THIS DRAWING MAY BE REPRODUCED OR DISCLOSED TO OTHERS WITHOUT THE EXPRESS WRITTEN CONSENT OF LEGRAND | AV.

CAD GENERATED DRAWING, DO NOT MANUALLY UPDATE.			 6436 CITY WEST PKWY EDEN PRAIRIE, MN, 55344 PHONE: 866-977-3901 FAX: 877-894-6918	
DRAWN BY	MM	5/18/2020	DESCRIPTION	
ENG APPROVAL			SAMSUNG IFH, LED MOUNT, 1-HIGH	
MFG APPROVAL			MODEL NO.	
QA APPROVAL			TIL1X1IFH	
SHEET 3 OF 3		SCALE	SIZE	DWG. NO.
		1:1	B	TECH-001056
				REV.
				00