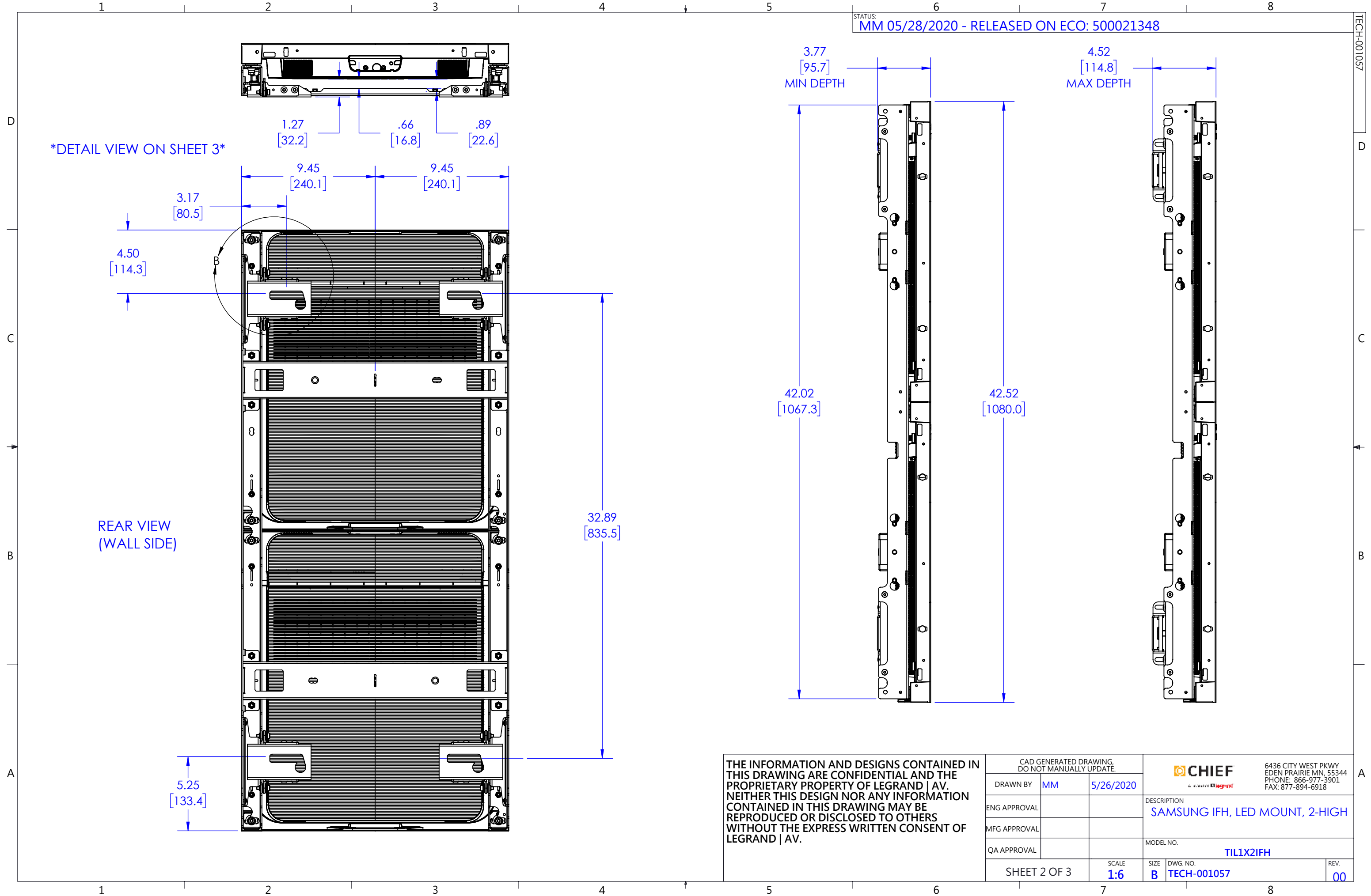


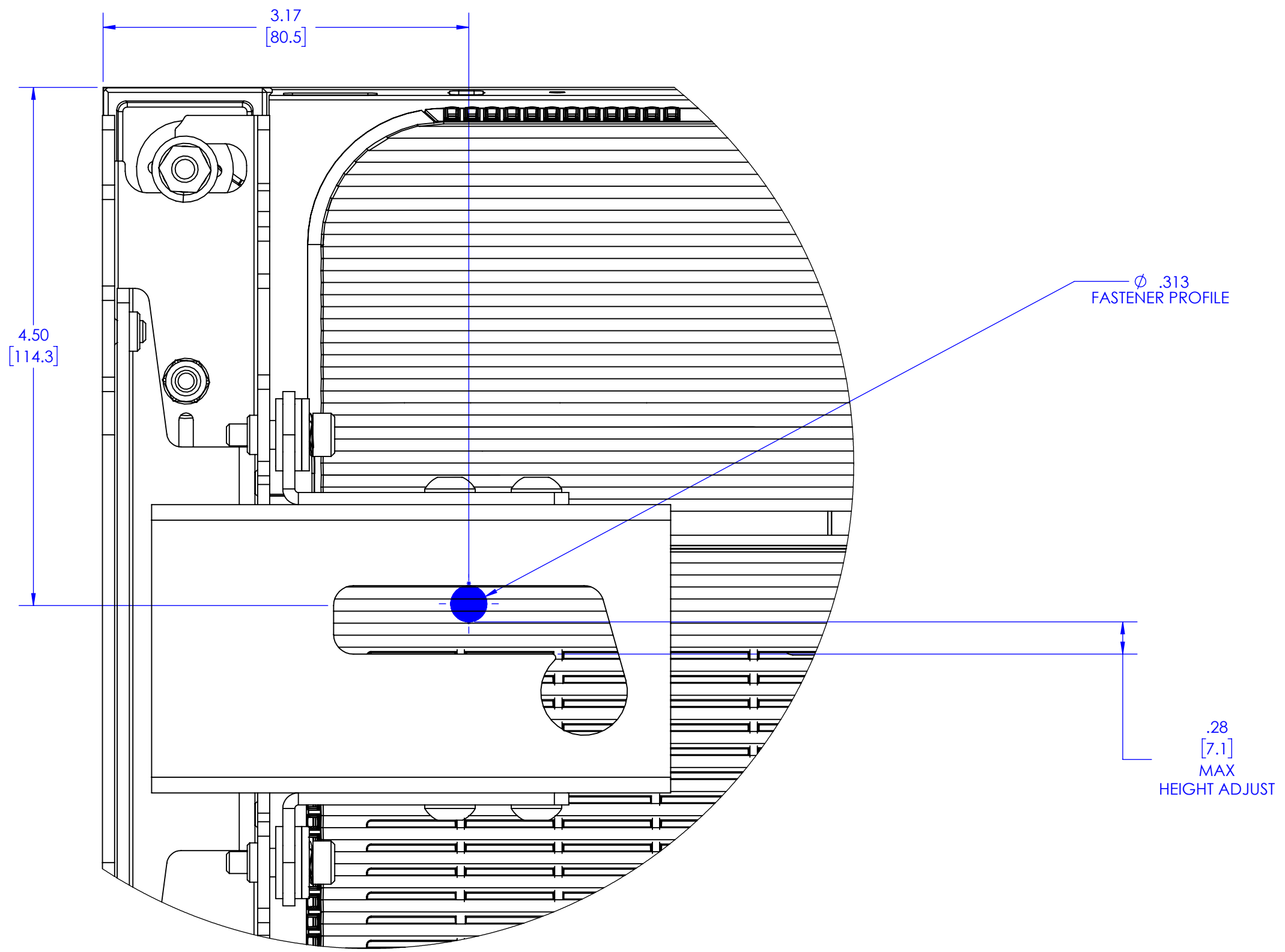
THE INFORMATION AND DESIGNS CONTAINED IN THIS DRAWING ARE CONFIDENTIAL AND THE PROPRIETARY PROPERTY OF LEGRAND | AV. NEITHER THIS DESIGN NOR ANY INFORMATION CONTAINED IN THIS DRAWING MAY BE REPRODUCED OR DISCLOSED TO OTHERS WITHOUT THE EXPRESS WRITTEN CONSENT OF LEGRAND | AV.

| | | | |
|--|----|---|---|
| CAD GENERATED DRAWING, DO NOT MANUALLY UPDATE. | | CHIEF 6436 CITY WEST PKWY EDEN PRAIRIE MN, 55344 PHONE: 866-977-3901 FAX: 877-894-6918 | |
| DRAWN BY | MM | 5/26/2020 | DESCRIPTION SAMSUNG IFH, LED MOUNT, 2-HIGH |
| ENG APPROVAL | | | MODEL NO. TIL1X2IFH |
| MFG APPROVAL | | | SIZE DWG. NO. B TECH-001057 |
| QA APPROVAL | | | REV. 00 |
| SHEET 1 OF 3 | | SCALE 1:6 | |




THE INFORMATION AND DESIGNS CONTAINED IN THIS DRAWING ARE CONFIDENTIAL AND THE PROPRIETARY PROPERTY OF LEGRAND | AV. NEITHER THIS DESIGN NOR ANY INFORMATION CONTAINED IN THIS DRAWING MAY BE REPRODUCED OR DISCLOSED TO OTHERS WITHOUT THE EXPRESS WRITTEN CONSENT OF LEGRAND | AV.

| | | | | | | |
|--|----|-----------|--------------------------------|-------------|--|--|
| CAD GENERATED DRAWING, DO NOT MANUALLY UPDATE. | | | | | 6436 CITY WEST PKWY EDEN PRAIRIE, MN, 55344 PHONE: 866-977-3901 FAX: 877-894-6918 | |
| DRAWN BY | MM | 5/26/2020 | DESCRIPTION | | | |
| ENG APPROVAL | | | SAMSUNG IFH, LED MOUNT, 2-HIGH | | | |
| MFG APPROVAL | | | MODEL NO. | | | |
| QA APPROVAL | | | TIL1X2IFH | | | |
| SHEET 2 OF 3 | | SCALE | SIZE | DWG. NO. | REV. | |
| | | 1:6 | B | TECH-001057 | 00 | |



DETAIL B
SCALE 1 : 1

THE INFORMATION AND DESIGNS CONTAINED IN THIS DRAWING ARE CONFIDENTIAL AND THE PROPRIETARY PROPERTY OF LEGRAND | AV. NEITHER THIS DESIGN NOR ANY INFORMATION CONTAINED IN THIS DRAWING MAY BE REPRODUCED OR DISCLOSED TO OTHERS WITHOUT THE EXPRESS WRITTEN CONSENT OF LEGRAND | AV.

| | | | | |
|---|----|--------------|---|-------------|
| CAD GENERATED DRAWING, DO NOT MANUALLY UPDATE. | | |  6436 CITY WEST PKWY EDEN PRAIRIE MN, 55344 PHONE: 866-977-3901 FAX: 877-894-6918 | |
| DRAWN BY | MM | 5/26/2020 | DESCRIPTION SAMSUNG IFH, LED MOUNT, 2-HIGH | |
| ENG APPROVAL | | | MODEL NO. TIL1X2IFH | |
| MFG APPROVAL | | | SIZE DWG. NO. REV. | |
| QA APPROVAL | | | B | TECH-001057 |
| SHEET 3 OF 3 | | SCALE 1:1 | | 00 |