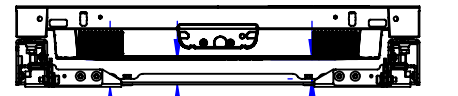


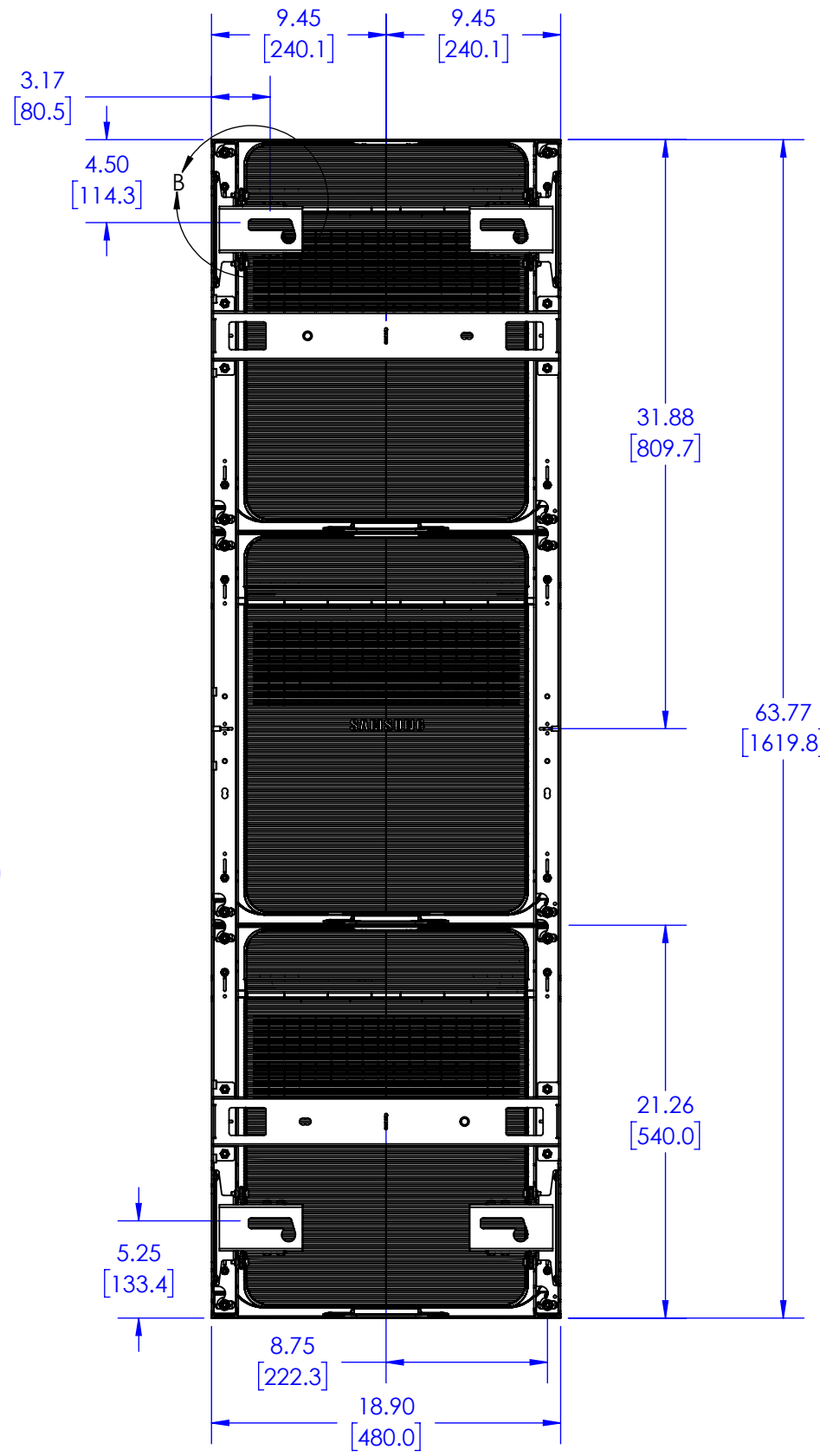
THE INFORMATION AND DESIGNS CONTAINED IN THIS DRAWING ARE CONFIDENTIAL AND THE PROPRIETARY PROPERTY OF LEGRAND | AV. NEITHER THIS DESIGN NOR ANY INFORMATION CONTAINED IN THIS DRAWING MAY BE REPRODUCED OR DISCLOSED TO OTHERS WITHOUT THE EXPRESS WRITTEN CONSENT OF LEGRAND | AV.

CAD GENERATED DRAWING, DO NOT MANUALLY UPDATE.			6436 CITY WEST PKWY EDEN PRAIRIE MN, 55344 PHONE: 866-977-3901 FAX: 877-894-6918	
DRAWN BY	MM 5/20/2020		DESCRIPTION SAMSUNG IFH, LED MOUNT, 3-HIGH	
ENG APPROVAL		MODEL NO. TIL1X3IFH		
MFG APPROVAL		SIZE	DWG. NO.	REV.
QA APPROVAL		B	TECH-001058	00
SHEET 1 OF 3		SCALE		
		1:9		

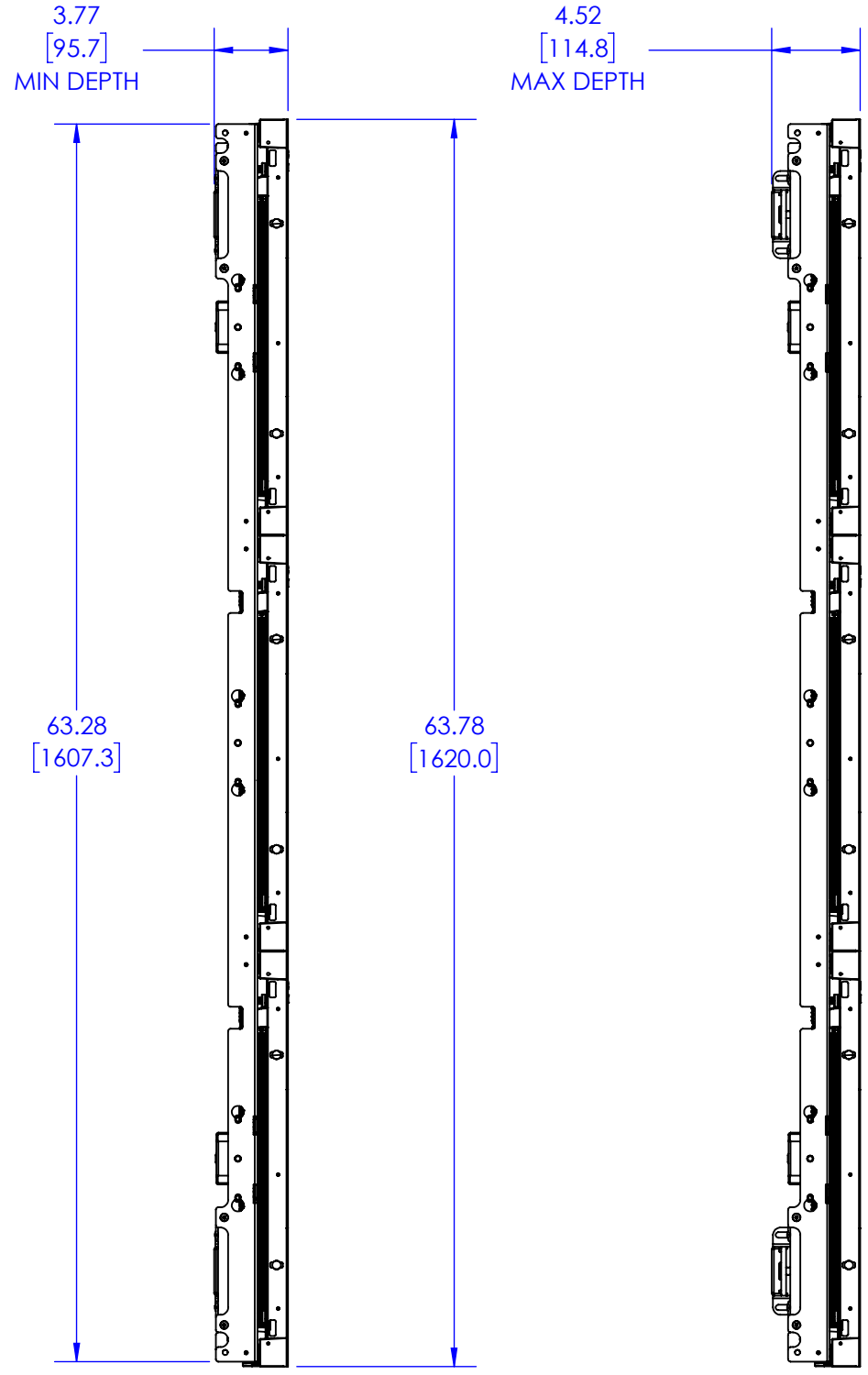
DETAIL VIEW ON SHEET 3



1.27 [32.2] 1.16 [29.5] .89 [22.6]

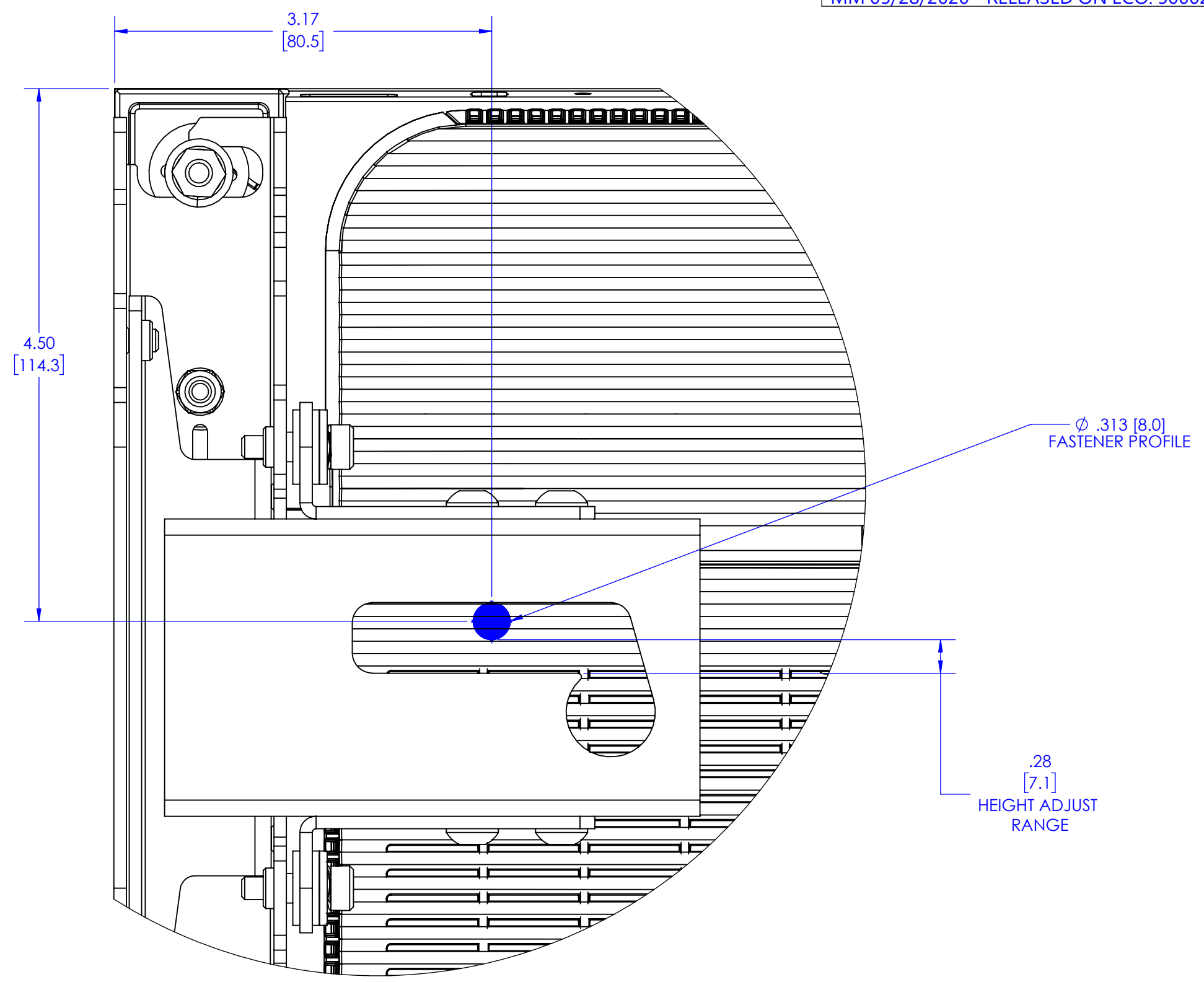


REAR VIEW (WALL SIDE)



THE INFORMATION AND DESIGNS CONTAINED IN THIS DRAWING ARE CONFIDENTIAL AND THE PROPRIETARY PROPERTY OF LEGRAND | AV. NEITHER THIS DESIGN NOR ANY INFORMATION CONTAINED IN THIS DRAWING MAY BE REPRODUCED OR DISCLOSED TO OTHERS WITHOUT THE EXPRESS WRITTEN CONSENT OF LEGRAND | AV.

CAD GENERATED DRAWING, DO NOT MANUALLY UPDATE.					6436 CITY WEST PKWY EDEN PRAIRIE MN, 55344 PHONE: 866-977-3901 FAX: 877-894-6918	
DRAWN BY	MM	5/20/2020	DESCRIPTION			
ENG APPROVAL			SAMSUNG IFH, LED MOUNT, 3-HIGH			
MFG APPROVAL			MODEL NO.			
QA APPROVAL			TIL1X3IFH			
SHEET 2 OF 3		SCALE	SIZE	DWG. NO.	REV.	
		1:9	B	TECH-001058	00	



DETAIL B
SCALE 1 : 1

THE INFORMATION AND DESIGNS CONTAINED IN THIS DRAWING ARE CONFIDENTIAL AND THE PROPRIETARY PROPERTY OF LEGRAND | AV. NEITHER THIS DESIGN NOR ANY INFORMATION CONTAINED IN THIS DRAWING MAY BE REPRODUCED OR DISCLOSED TO OTHERS WITHOUT THE EXPRESS WRITTEN CONSENT OF LEGRAND | AV.

CAD GENERATED DRAWING, DO NOT MANUALLY UPDATE.					6436 CITY WEST PKWY EDEN PRAIRIE, MN, 55344 PHONE: 866-977-3901 FAX: 877-894-6918	
DRAWN BY	MM	5/20/2020	DESCRIPTION			
ENG APPROVAL			SAMSUNG IFH, LED MOUNT, 3-HIGH			
MFG APPROVAL			MODEL NO.			
QA APPROVAL			TIL1X3IFH			
SHEET 3 OF 3		SCALE	SIZE	DWG. NO.	REV.	
		1:1	B	TECH-001058	00	