

CPA COUPLING WILL BE REQUIRED TO ATTACH TO NPT STYLE PIPE (SOLD SEPARATELY)

1.00 [25.4] ATTACHMENT HOLES SPACED AT 1" INTERVALS

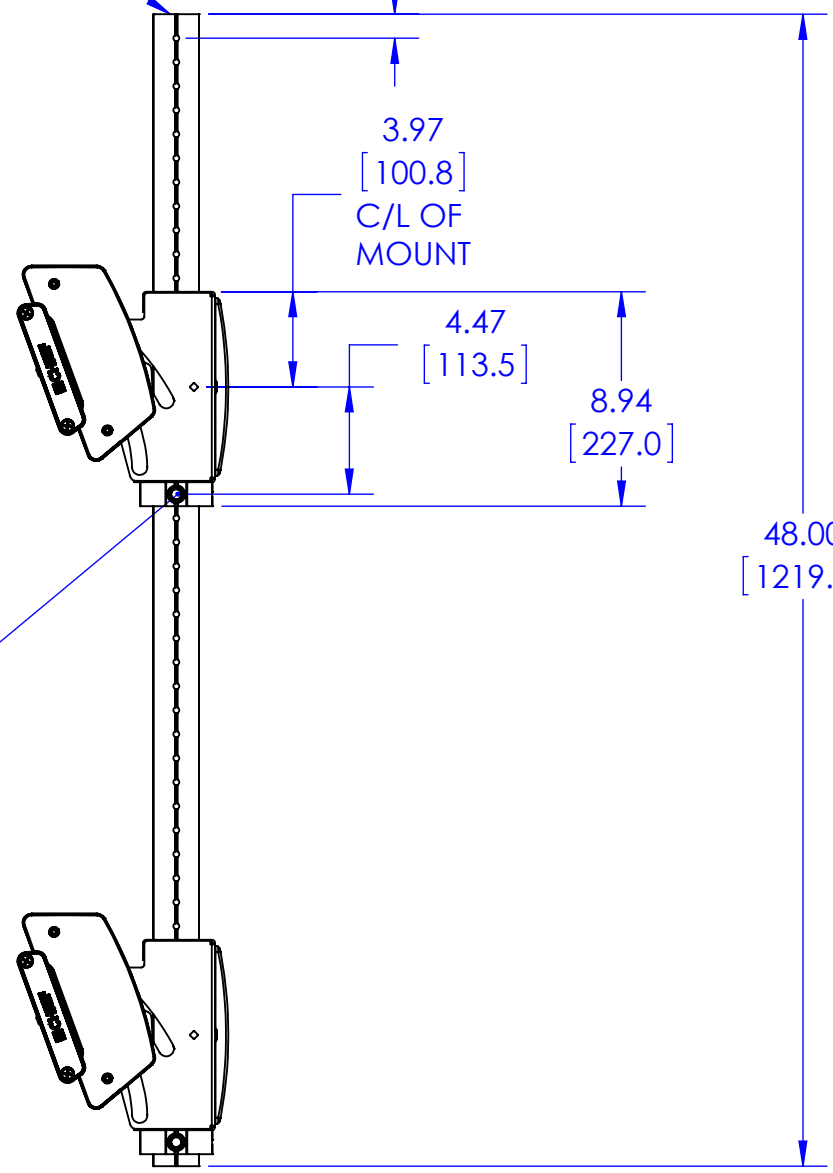
3.97 [100.8] C/L OF MOUNT

4.47 [113.5]

8.94 [227.0]

48.00 [1219.2]

SELF TAPPING SCREW FOR ATTACHMENT TO COLUMN



**MCM1X2U INCLUDES  
1-CPA048P  
2-MCM1U**

**LCM1X2U INCLUDES  
1-CPA048P  
2-LCM1U**

**REFER TO TECH DRAWINGS AND  
INSTRUCTION MANUALS FOR  
MCM1U  
LCM1U  
CPA048P  
FOR DETAILED SPECIFICATIONS  
ON MOUNTS AND/OR COLUMN**

**THE INFORMATION AND DESIGNS CONTAINED IN THIS DRAWING ARE CONFIDENTIAL AND THE PROPRIETARY PROPERTY OF MILESTONE AV TECHNOLOGIES NEITHER THIS DESIGN NOR ANY INFORMATION CONTAINED IN THIS DRAWING MAY BE REPRODUCED OR DISCLOSED TO OTHERS WITHOUT THE EXPRESS WRITTEN CONSENT OF MILESTONE AV TECHNOLOGIES.**

CAD GENERATED DRAWING, DO NOT MANUALLY UPDATE.				6436 CITY WEST PKWY EDEN PRAIRIE MN, 55344 PHONE: 866-977-3901 FAX: 877-894-6918	
DRAWN BY	JAB	3/19/2013		DESCRIPTION <b>CEILING MOUNTS, STACKING, MEDIUM AND LARGE, KITS</b>	
ENG APPROVAL			MODEL NO. <b>LCM1X2U AND MCM1X2U</b>		
MFG APPROVAL			SIZE DWG. NO. REV. <b>B TECH-000336 00</b>		
QA APPROVAL			SHEET 1 OF 1 SCALE 1:12		