

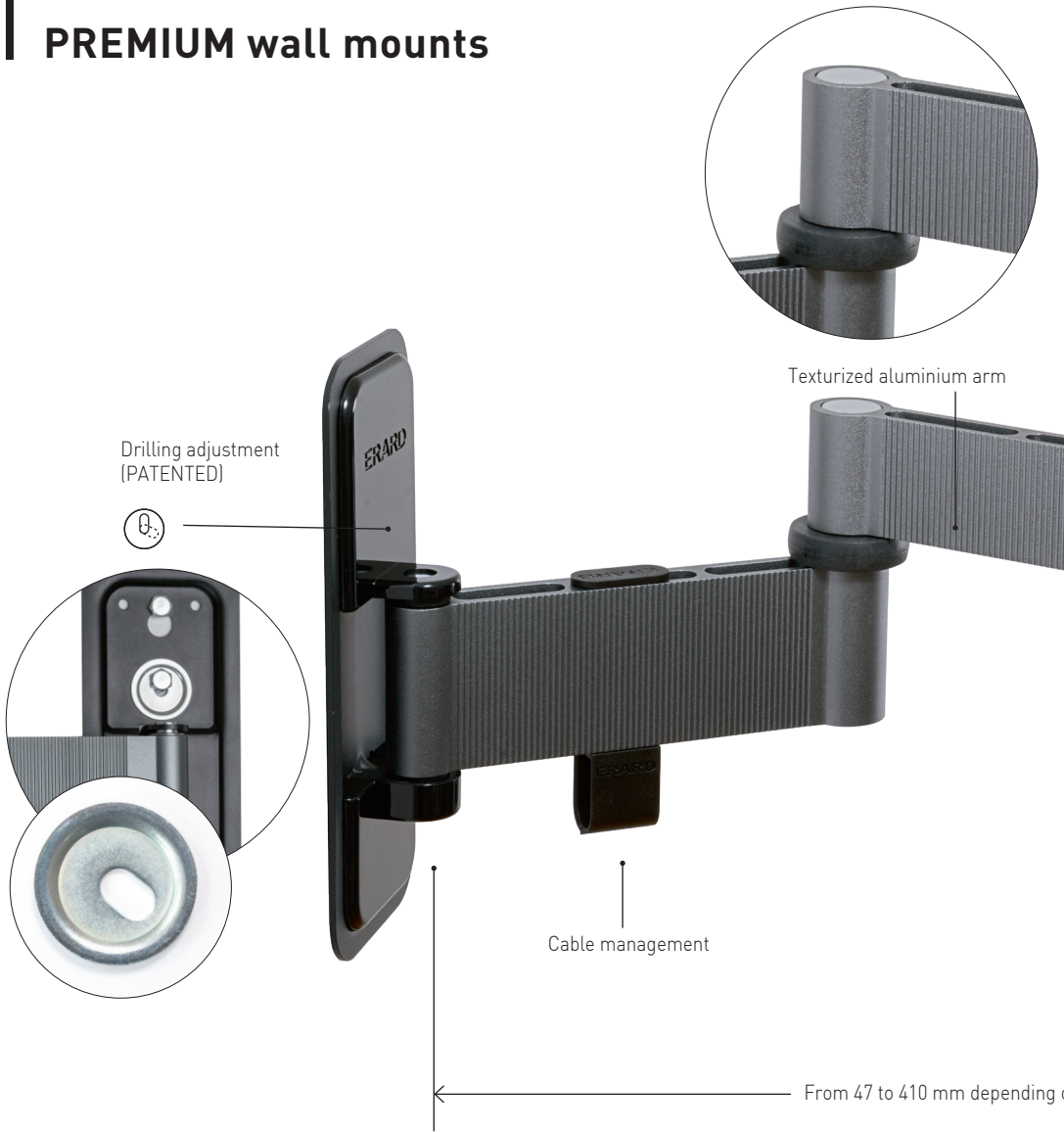
# EXO

Precision and design



**ERARD®**

# PREMIUM wall mounts



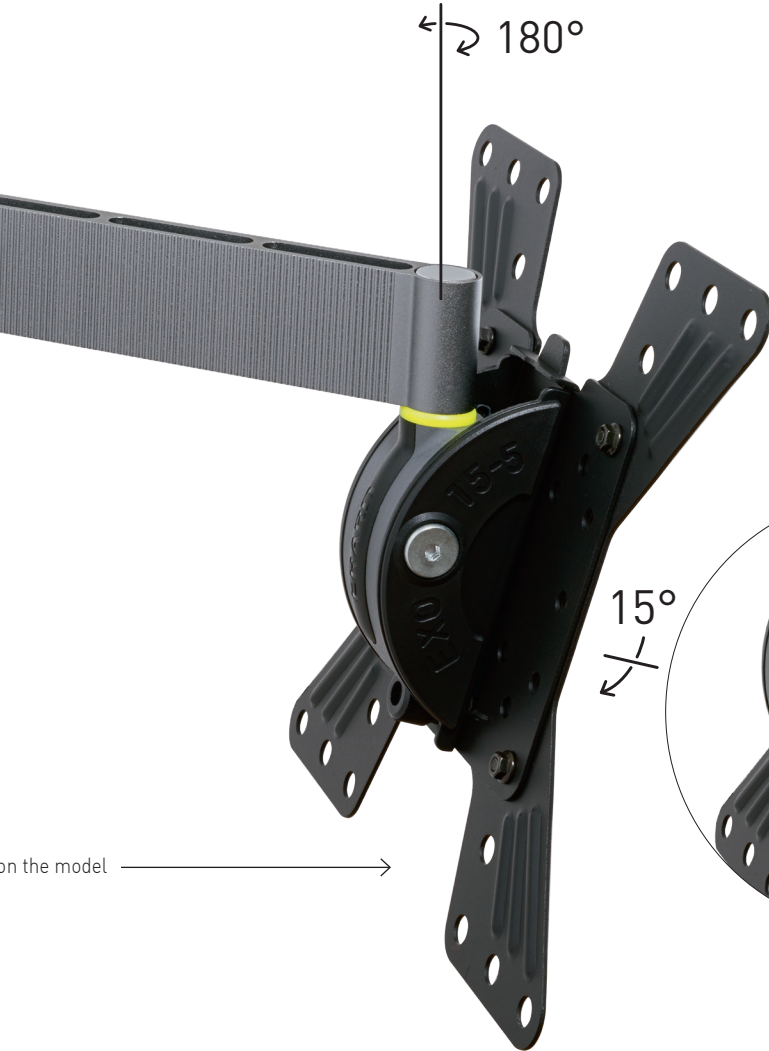
## EXO 200 Tilting and swivelling PREMIUM wall mounts

- Tilting and swivelling
- Off-centre spacers to correct horizontality after drilling
- Texturized anodized aluminium arm, Titanium colour
- Screen and wall mount made of steel, black epoxy painting
- Delivered pre-assembled
- Magnetic cover for wall mount



EXO 200

LIFETIME WARRANTY



Continuous tilt up to -15°

15°



on the model →

Discover the EXO video



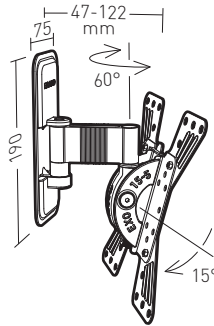
[www.erard.com/exo200](http://www.erard.com/exo200)

# EXO 200

## EXO 200TW1 **M** 15°-37° 38-94 cm

Tilting and swivelling aluminium wall mount - Offset 122 mm - 1 arm

Ref. **048120** EAN 318528 048120 0



MAXI 15 KG

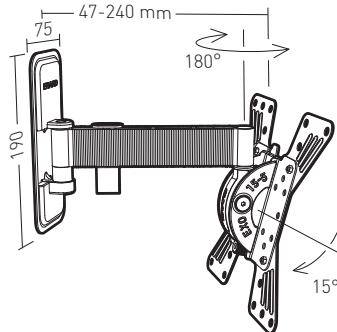


VESA  
L50 > H200

## EXO 200TW2 **M** 15°-37° 38-94 cm

Tilting and swivelling aluminium wall mount - Offset 240 mm - 1 arm

Ref. **048220** EAN 318528 048220 7



MAXI 15 KG



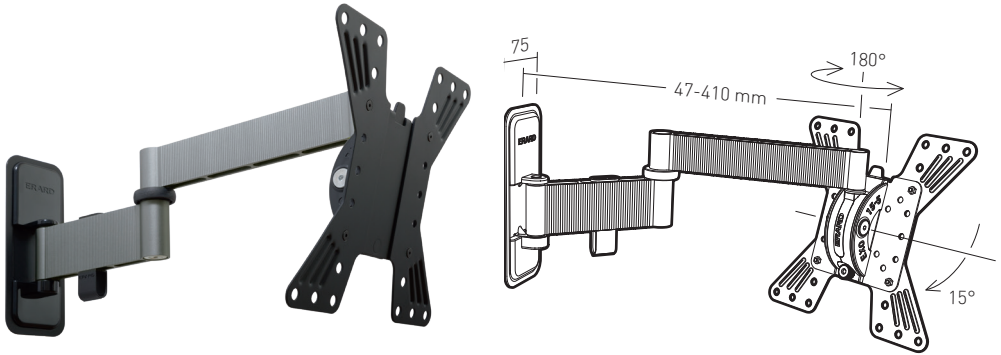
VESA  
L50 > H200



# EXO 200TW3 M 15°-37° 38-94 cm

Tilting and swivelling aluminium wall mount - Offset 410 mm - 2 arm

Ref. **048320** EAN 318528 048320 4



MAXI 15 KG



15°



180°



VESA  
L50 > H200

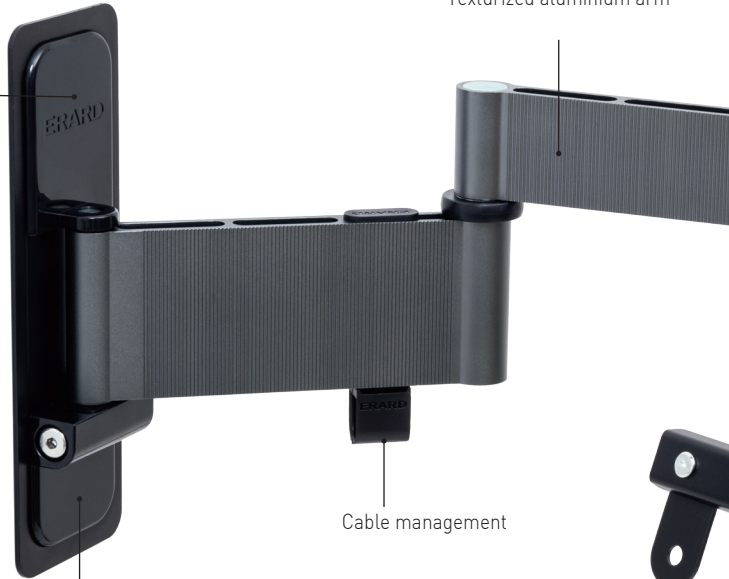
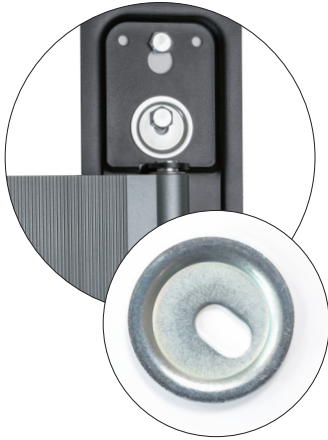


# PREMIUM wall mounts



Texturized aluminium arm

Drilling adjustment  
(PATENTED)



Cable management

← From 49 to 538 mm depending on the model →



Micro adjustment of the level (PATENTED)



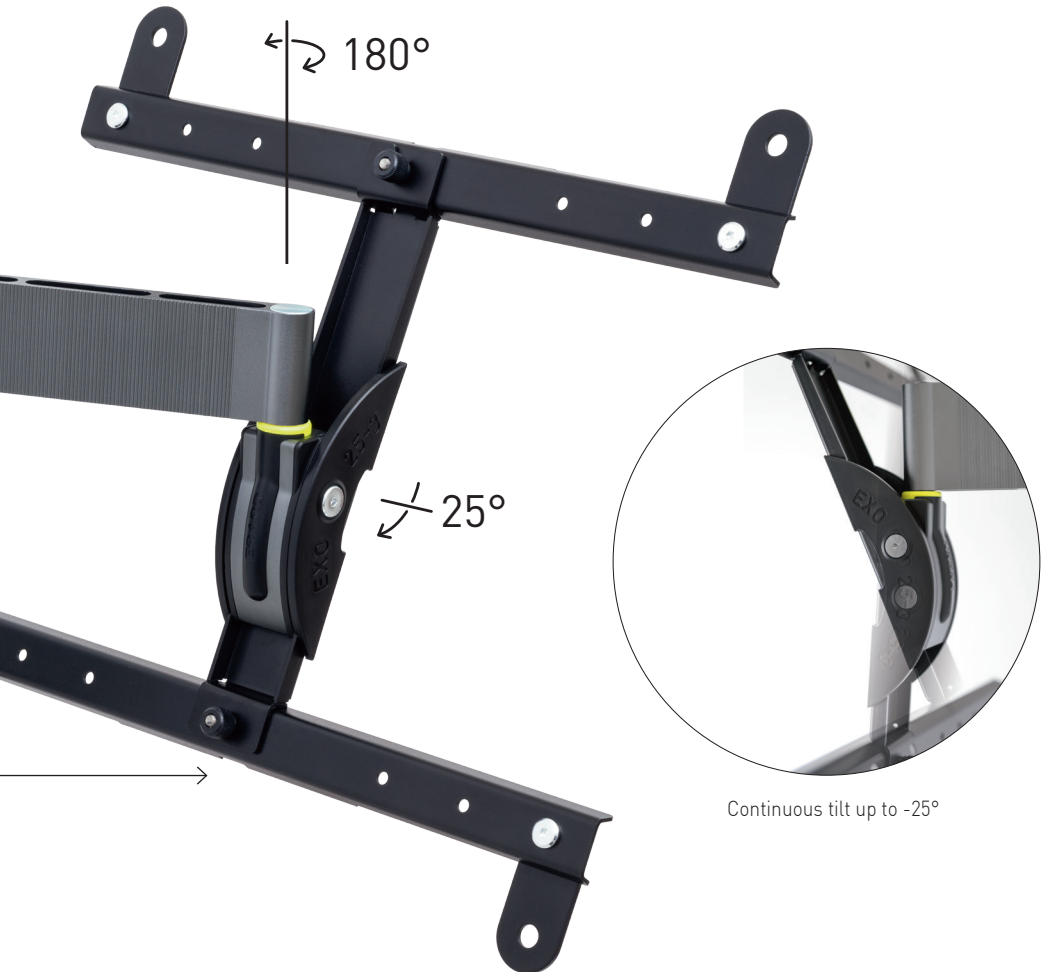
Discover the EX0 video



[www.erard.com/exo400-600](http://www.erard.com/exo400-600)

# EXO 400-600

LIFETIME WARRANTY



Continuous tilt up to  $-25^{\circ}$

## EXO 400/600 Tilting and swivelling PREMIUM wall mounts

- Tilting and swivelling
- Off-centre spacers to correct horizontality after drilling
- Patented micro adjustment system for perfect horizontality of the screen
- Texturized anodized aluminium arm, Titanium colour
- Screen and wall mount made of steel, black epoxy painting
- Compatible with LCD, QLED and OLED screens
- Compatible with screens with curved and irregular back panel (screws and spacers included)
- Delivered pre-assembled
- Magnetic cover for wall mount

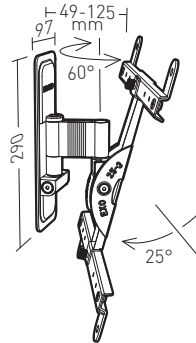
  
label  
observeur design  
2017

# EXO 400

## EXO 400TW1 L 30°-55° 76-140 cm

Tilting and swivelling aluminium wall mount - Offset 125 mm - 1 arm

Ref. **048140** EAN 318528 048140 8



MAXI 25 KG

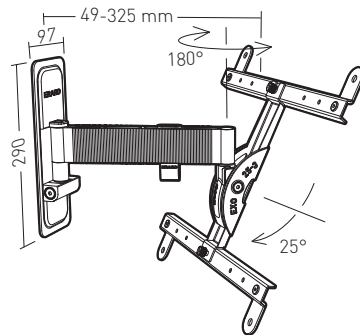


VESA  
L200 > H400

## EXO 400TW2 L 30°-55° 76-140 cm

Tilting and swivelling aluminium wall mount - Offset 325 mm - 1 arm

Ref. **048240** EAN 318528 048240 5



MAXI 25 KG



VESA  
L200 > H400





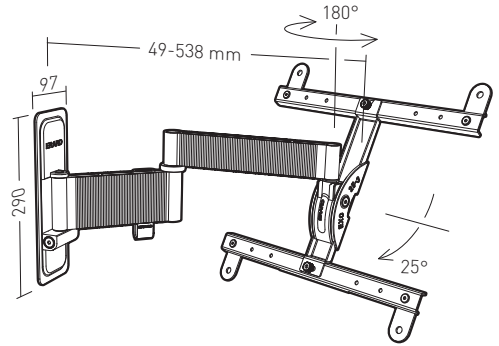
# EXO 400TW3 **L** 30°-55° 76-140 cm

Tilting and swivelling aluminium wall mount - Offset 538 mm - 2 arms

Ref. **048340**

EAN

318528 048340 2



MAXI 25 KG



VESA  
L200 > H400



# EXO 600

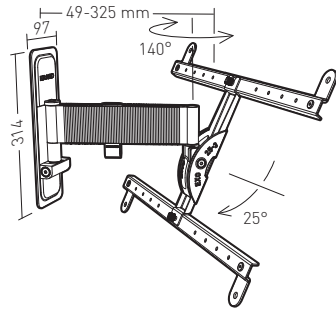
EXO **600TW2** **XL** 40"-75"  
102-190cm

Tilting and swivelling aluminium wall mount - Offset 325 mm - 1 arm

Ref. **048260**

EAN

318528 048260 3



MAXI 35 KG



VESA  
L200>H600X400



# EXO 600TW3 XL

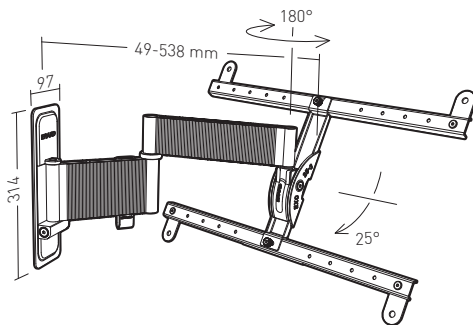
40"-75"  
102-190cm

Tilting and swivelling aluminium wall mount - Offset 538 mm - 2 arms

Ref. 048360

EAN

318528 048360 0



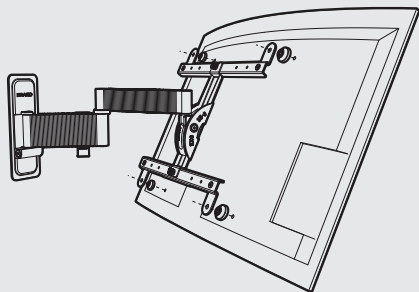
MAXI 35 KG



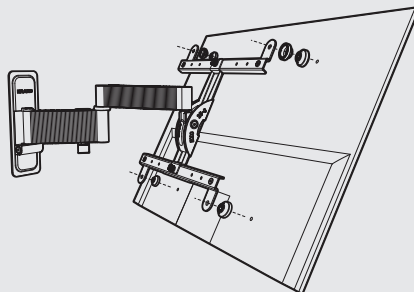
VESA  
L200>H600X400



## Compatible with screens with curved and irregular back panel



For curved TV panel



For screens with irregular back panel



OLED screen compatible

# EXO Range

Tilting and swivelling aluminium wall mount

TILTING  
AND SWIVELLING



M 15"-37" 38-94cm		L 30"-55" 76-140cm		XL 40"-75" 102-190cm	
15"	30"	37"	40"	55"	75"
EXO <b>200</b> TW1 048120					
EXO <b>200</b> TW2 048220					
EXO <b>200</b> TW3 048320					
		EXO <b>400</b> TW1 048140			
		EXO <b>400</b> TW2 048240			
		EXO <b>400</b> TW3 048340			
				EXO <b>600</b> TW2 048260	
				EXO <b>600</b> TW3 048360	

# ERARD®

ESSENTIAL ACCESSORIES  
FOR AUDIO VIDEO COMPONENTS

E-Mail: [export@erard.fr](mailto:export@erard.fr) / [www.erard.com](http://www.erard.com) / Tel.: +33 (0)4 72 46 16 26 / Fax: +33 (0)4 72 46 16 22

VAT N° : FR 81 403 591 415

Z.I. de Chavanoz / 4 route de la Plaine / 38230 CHAVANOZ / FRANCE

