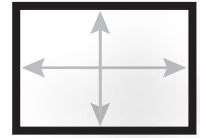


# HOMESCREEN

Fixed frame projection screen for wall installations



## Product specifications:

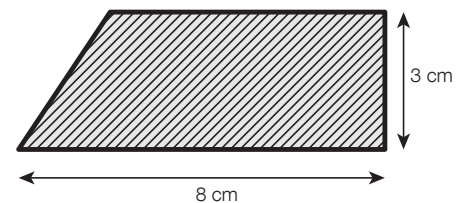
- Fixed frame projection screen with an aluminum frame.
- The aluminum frame is 8 cm wide and 3 cm deep with a beveled edge to reduce shadowing in the viewing area.
- The aluminum frame is finished with a matte black powder coating.
- The projection screen surface is attached to the rear of the screen with Velcro®.
- The aluminum frame parts are connected in the corners with corner plates.
- Easy and flush installation by hanging the screen over two screws by using the integrated flat (3mm) mounting brackets.
- The frame will conceal velcro and binding.
- The frame is made of aluminium finished with velour.
- Standard all brackets are supplied.

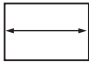
## Aspect Ratios:



## Available dimensions

Minimum width: 176 cm  
Maximum width: 500 cm



		Viewing Area	Nominal Diagonal		Frame dimensions		Net weight
		cm	cm	inches	Frame height	Frame width	cm
<b>16:10</b>	116 x 176	100 x 160	189	74"	116	176	8
	129 x 196	112 x 180	211	83"	129	196	9
	141 x 216	125 x 200	236	93"	141	216	10
	154 x 236	137 x 220	259	102"	154	236	11
	166 x 256	150 x 240	283	111"	166	256	11
	191 x 296	175 x 280	330	130"	191	296	12
	204 x 316	187 x 300	353	139"	204	316	13
<b>16:9</b>	106 x 176	90 x 160	183	72"	106	176	8
	118 x 196	102 x 180	207	81"	118	196	9
	128 x 216	112 x 200	229	90"	128	216	10
	140 x 236	122 x 220	249	98"	140	236	11
	151 x 256	135 x 240	269	108"	151	256	11
	173 x 296	157 x 280	320	126"	173	296	12
	185 x 316	169 x 300	345	136"	185	316	13
<b>2.35:1</b>	93 x 196	76 x 180	195	78"	93	196	8
	101 x 216	85 x 200	217	85"	101	216	9
	110 x 236	94 x 220	239	94"	110	236	10
	118 x 256	102 x 240	261	103"	118	256	11
	135 x 296	119 x 280	304	120"	135	296	11
	144 x 316	128 x 300	326	128"	144	316	12
<b>4:3</b>	136 x 176	120 x 160	200	79"	135	176	9
	151 x 196	135 x 180	225	89"	151	196	10
	166 x 216	150 x 200	254	100"	166	216	11
	181 x 236	165 x 220	275	108"	181	236	12
	196 x 256	180 x 240	302	119"	196	256	12
	226 x 296	210 x 280	350	138"	226	296	14
	241 x 316	225 x 300	375	148"	241	316	16

## Available standard resolution projection surfaces

### Matte White

Gain: 1.0  
Viewing Angle: 120°  
Base material: Vinyl  
Fire retardancy: B1  
GreenGuard certification: No

For all sizes with a maximum surface height of 188 cm:

Black backing: Yes  
Seamless: Yes

For all sizes with a surface height from 189 cm until 225 cm:

Black backing: No  
Seamless: Yes

For all sizes with a surface height of 226 cm and above:

Black backing: No  
Seamless: No

### High Contrast Cinema Vision

Gain: 1.1  
Viewing Angle: 100°  
Base material: Vinyl  
Fire retardancy: B2  
Black backing: Yes  
Opacity rating: > 99 %  
Seamless: Yes  
GreenGuard certification: Yes

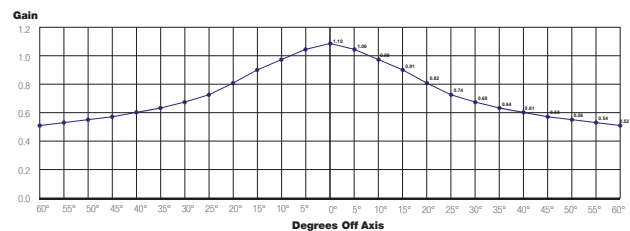


**Standard:** UL 2818 - 2013  
Standard for Chemical Emissions  
for Building Materials, Finishes and  
Furnishings

**Certification number**

Greenguard -  
5112-410

Greenguard Gold -  
5112-420



### Da-Tex (rear projection)

Gain: 1.3  
Viewing Angle: 60°  
Base material: Vinyl  
Fire retardancy: B2  
Seamless: Yes  
GreenGuard certification: Yes

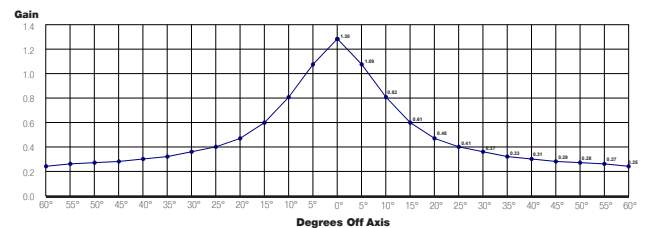


**Standard:** UL 2818 - 2013  
Standard for Chemical Emissions  
for Building Materials, Finishes and  
Furnishings

**Certification number**

Greenguard -  
5106-410

Greenguard Gold -  
5106-420



## Certifications

- Products are manufactured in an ISO14001 certified facility
- Projecta is an ISO 9001 certified company
- REACH - Registration, Evaluation, Authorisation and Restriction of Chemical substances.
- RoHS - Restriction of Hazardous Substances.
- WEEE - Waste Electronic and Electrical Equipment Regulations.

## Customisation

Give exact the sizes of the projection screen you need:

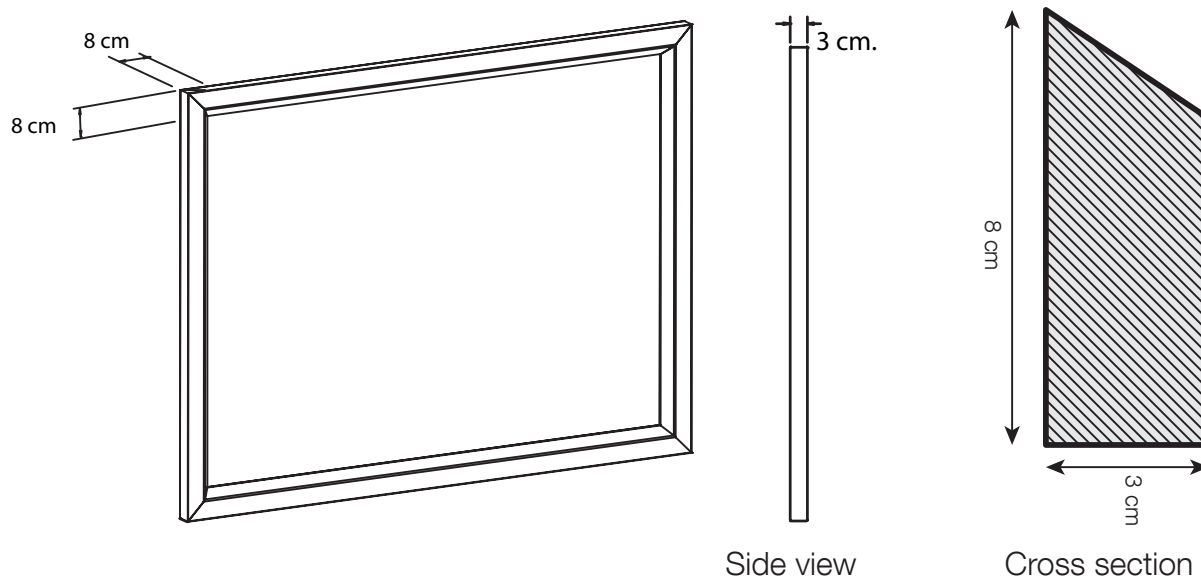
Viewing size: \_\_\_\_\_ Height (cm.) x \_\_\_\_\_ width (cm.)

Surface: \_\_\_\_\_ Frame color: RAL \_\_\_\_\_

Remarks: \_\_\_\_\_

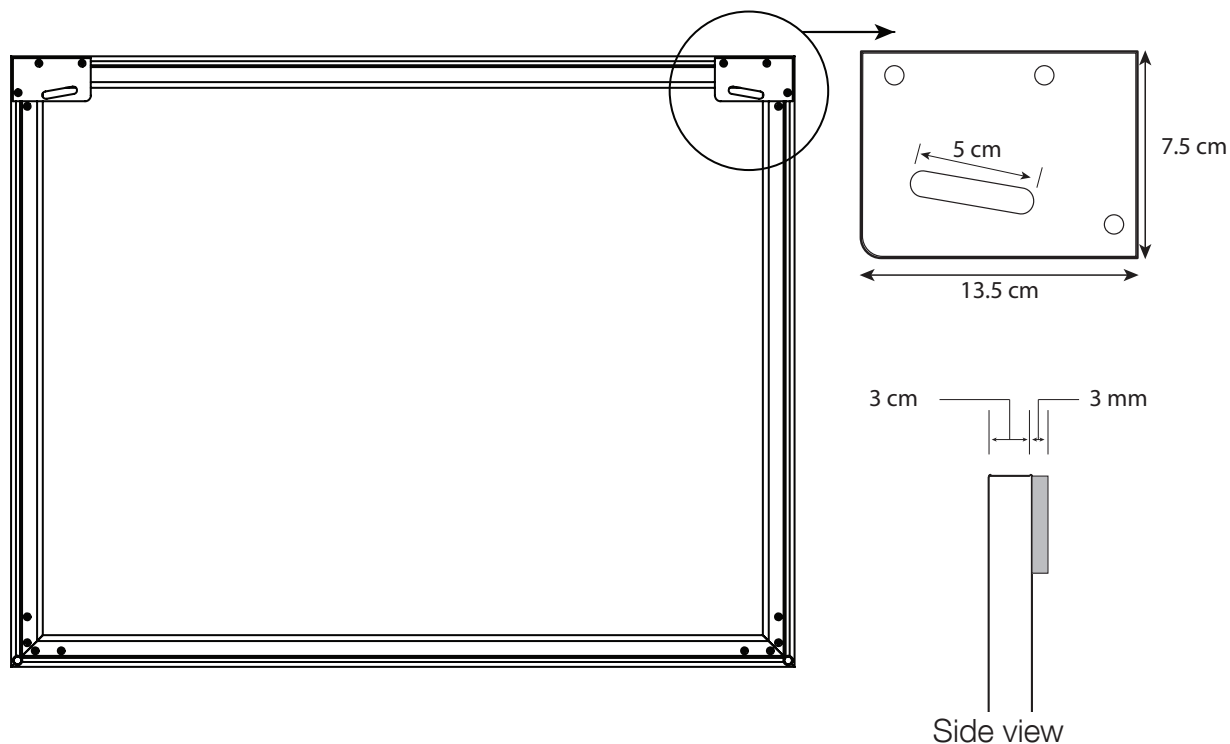


## Frame dimensions



## Installation

Easy and flush installation by hanging the screen over two screws by using the integrated flat (3mm) mounting brackets.



## Warranty

Projecta provides a limited 5 year warranty on the Elpro Concept range and a limited 2 year warranty on all other products. The warranty on the motor of electrical screens is 5 year. All warranties are in effect beginning the date the product was invoiced by Projecta.