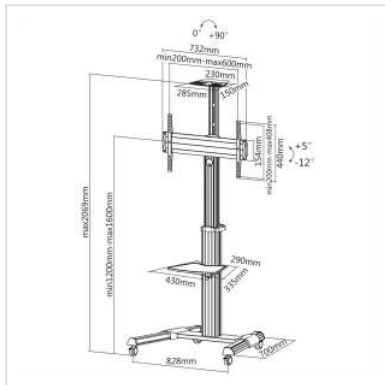


ROLINE LCD/TV Mobile Cart, up to 50kg

Product No.	17.03.1260
Manufacturer	ROLINE
Manufacturer No.	17.03.1260
EAN (single piece)	7611990158621

roline[®]
Designed for Professionals



Ideal for applications in conference or class rooms, easily suitable for meetings and presentations!

- Telescopic Height Adjustable TV Cart
- Rotating function of 0°-90° to switch between "landscape" and "portrait" mode
- Optional Webcam Mount included in the scope of delivery
- Height adjustable TV mount
- Free-tilting design between +5° and -12° for multiple monitor viewing angles
- Quick-release spring lock adjusts height effortlessly
- Quick assembly shelf assures easy post-intallation
- Cable management keeps everything organized
- Sturdy base with heavy-duty casters
- Supports max. VESA: 600x400
- Suggested screen size: up to 94 cm - 177.8 cm (37"-70")
- Maximum weight capacity: 50kg

Technical specifications

Manufacturer	ROLINE
Product group	LCD-Monitor arms

Product type	Mobile Carts
Colour	silver
Load capacity	50 kg
Quantity of pivots	2
Adjustments	Mechanical
VESA 200 x 200 mm	Yes
VESA 400 x 200 mm	Yes
VESA 400 x 400 mm	Yes
VESA 600 x 200 mm	Yes
VESA 600 x 400 mm	Yes
Technical particularity	Height: 1200 to 1600 mm