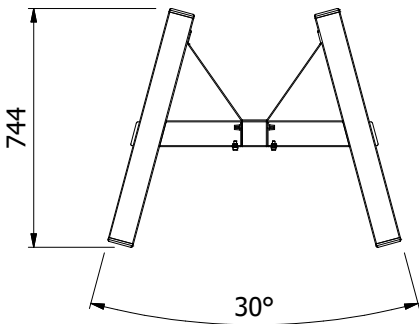
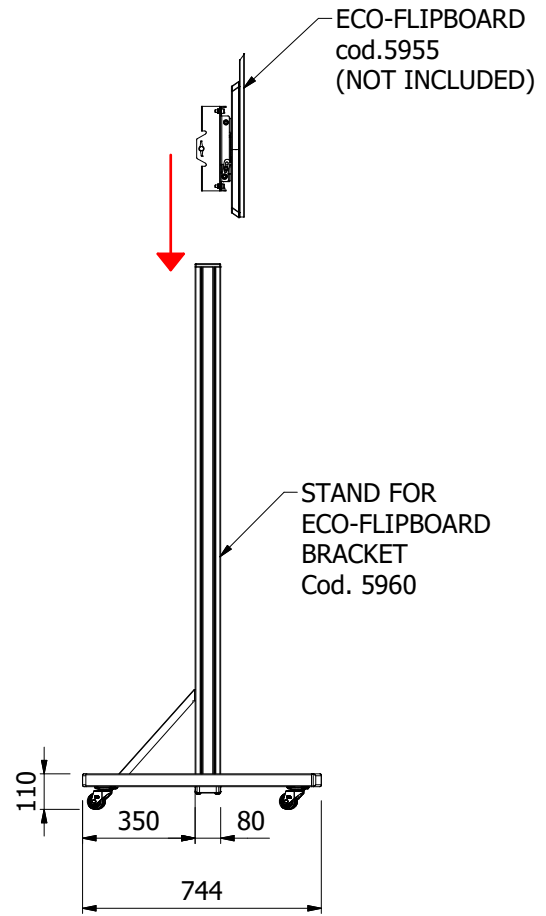
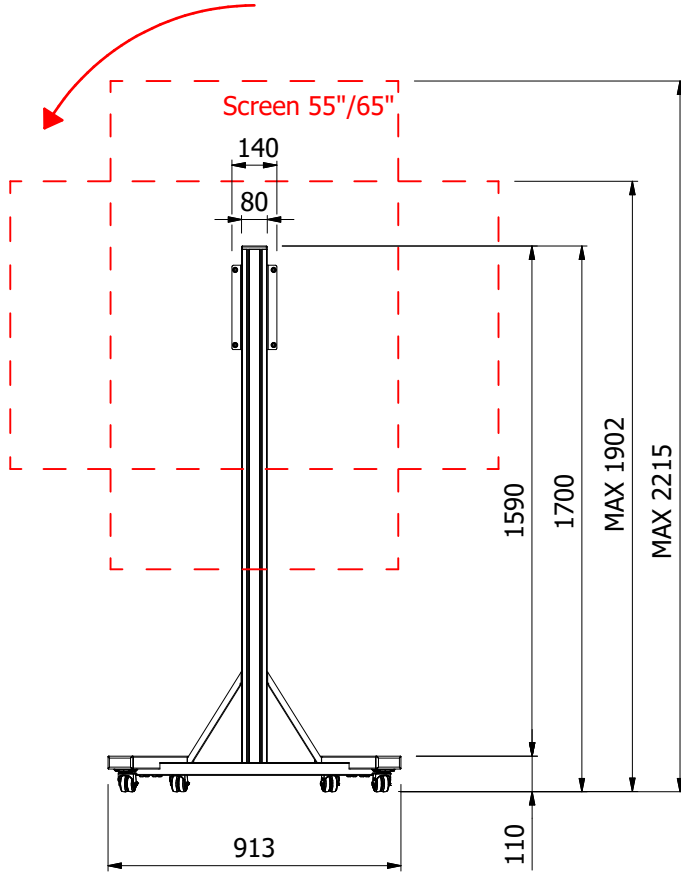


STAND FOR ECO-FLIPBOARD BRACKET TECHNICAL FEATURES

Rev. : 00 Date : 29/10/2019

Code : 5960

FACE ROTATES 90°



TECHNICAL FEATURES:

- Stand for ECO-FLIPBOARD BRACKET rotating cod. 5955;
- Maximum capacity 60 Kg;
- Flexibility for vertical adjustment;
- Multidirectional wheels;
- Front wheels with brake;
- Cable management within the column;
- White color: RAL 9003;

