

MAX 61.87 [1571.4]
MIN 36.28 [921.4]

(OPTIONAL IF NOT SECURED TO FLOOR)
5.00 [127.0]

0° TILT
2° TILT
4° TILT

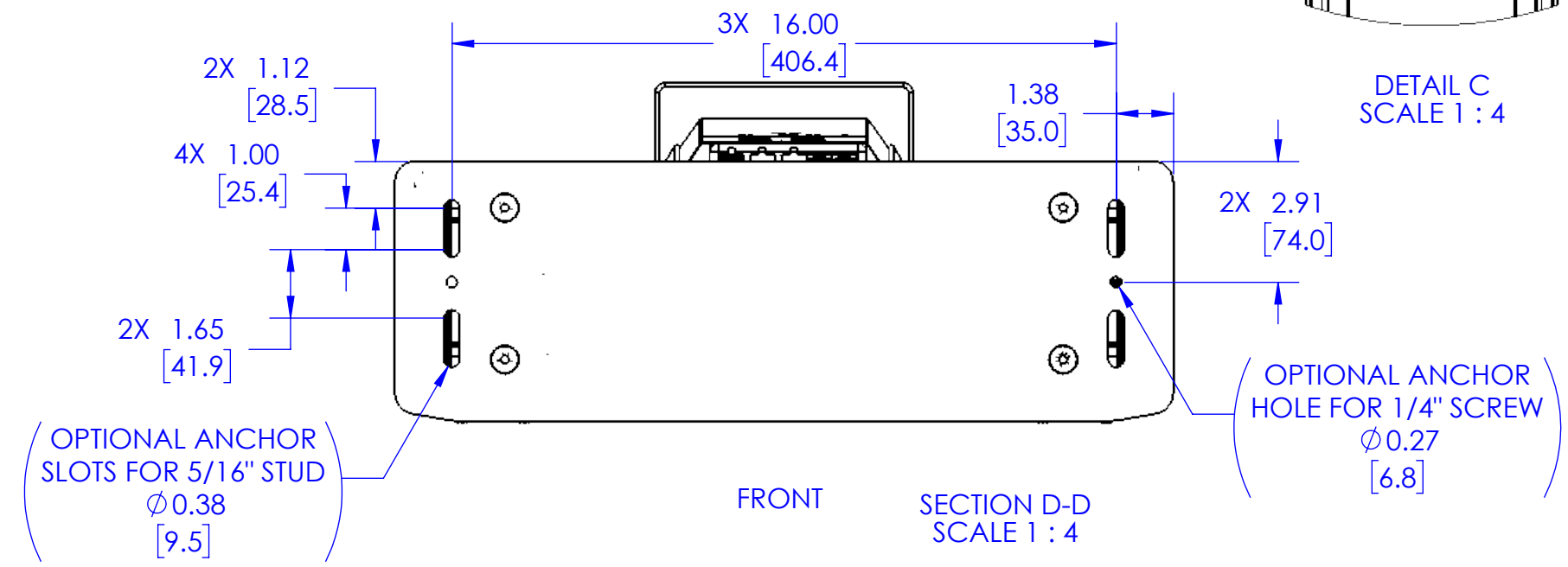
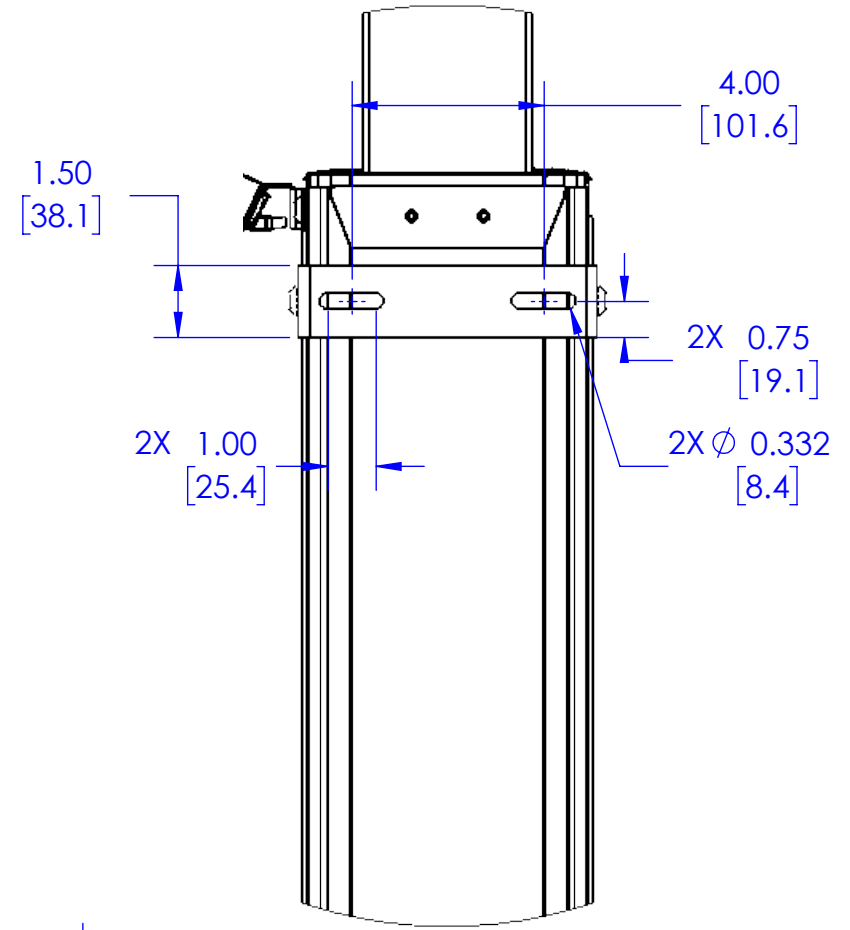
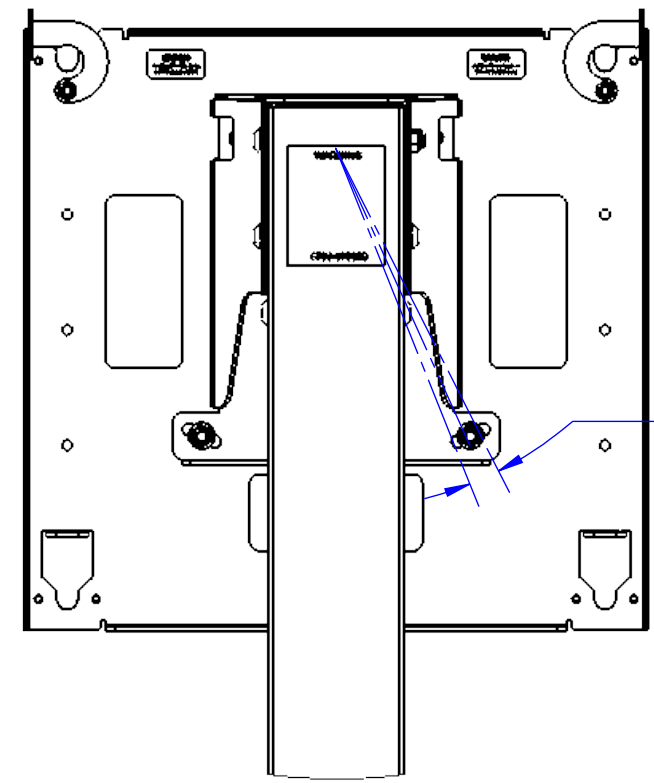
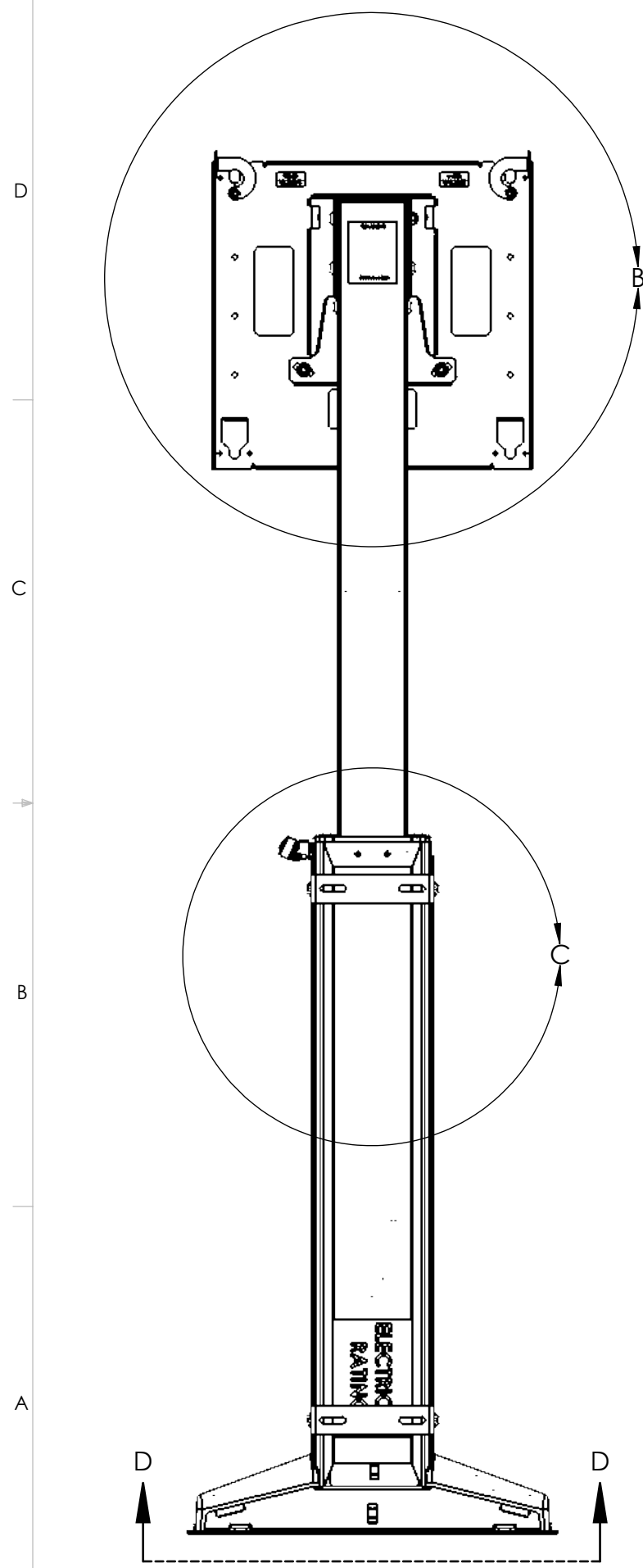
DETAIL A
SCALE 1 : 4

WEIGHT RATING: 200LB (90KG)

ELECTRICAL RATING:
100-240 VAC, 50-60HZ, 450W
INT. 10%, MAX. 2MIN/18MIN

THE INFORMATION AND DESIGNS CONTAINED IN THIS DRAWING ARE CONFIDENTIAL AND THE PROPRIETARY PROPERTY OF MILESTONE AV TECHNOLOGIES NEITHER THIS DESIGN NOR ANY INFORMATION CONTAINED IN THIS DRAWING MAY BE REPRODUCED OR DISCLOSED TO OTHERS WITHOUT THE EXPRESS WRITTEN CONSENT OF MILESTONE AV TECHNOLOGIES.

CAD GENERATED DRAWING, DO NOT MANUALLY UPDATE.			<p>6436 CITY WEST PKWY EDEN PRAIRIE MN, 55344 PHONE: 866-977-3901 FAX: 877-894-6918</p>
DRAWN BY	CT	2/15/2019	
ENG APPROVAL			DESCRIPTION
MFG APPROVAL			LFE1U TECH DRAWING
QA APPROVAL			MODEL NO.
SHEET 1 OF 2			LFE1U
SCALE	1:8	SIZE	DWG. NO.
		B	TECH-000973
			REV.
			00



WEIGHT RATING: 200LB (90KG)
 ELECTRICAL RATING:
 100-240 VAC, 50-60HZ, 450W
 INT. 10%, MAX. 2MIN/18MIN

THE INFORMATION AND DESIGNS CONTAINED IN THIS DRAWING ARE CONFIDENTIAL AND THE PROPRIETARY PROPERTY OF MILESTONE AV TECHNOLOGIES NEITHER THIS DESIGN NOR ANY INFORMATION CONTAINED IN THIS DRAWING MAY BE REPRODUCED OR DISCLOSED TO OTHERS WITHOUT THE EXPRESS WRITTEN CONSENT OF MILESTONE AV TECHNOLOGIES.

CAD GENERATED DRAWING, DO NOT MANUALLY UPDATE.			CHIEF 6436 CITY WEST PKWY EDEN PRAIRIE MN, 55344 PHONE: 866-977-3901 FAX: 877-894-6918
DRAWN BY	CT	2/15/2019	
ENG APPROVAL			DESCRIPTION LFE1U TECH DRAWING
MFG APPROVAL			MODEL NO. LFE1U
QA APPROVAL			SCALE 1:24
SHEET 2 OF 2		SIZE B	DWG. NO. TECH-000973
			REV. 00