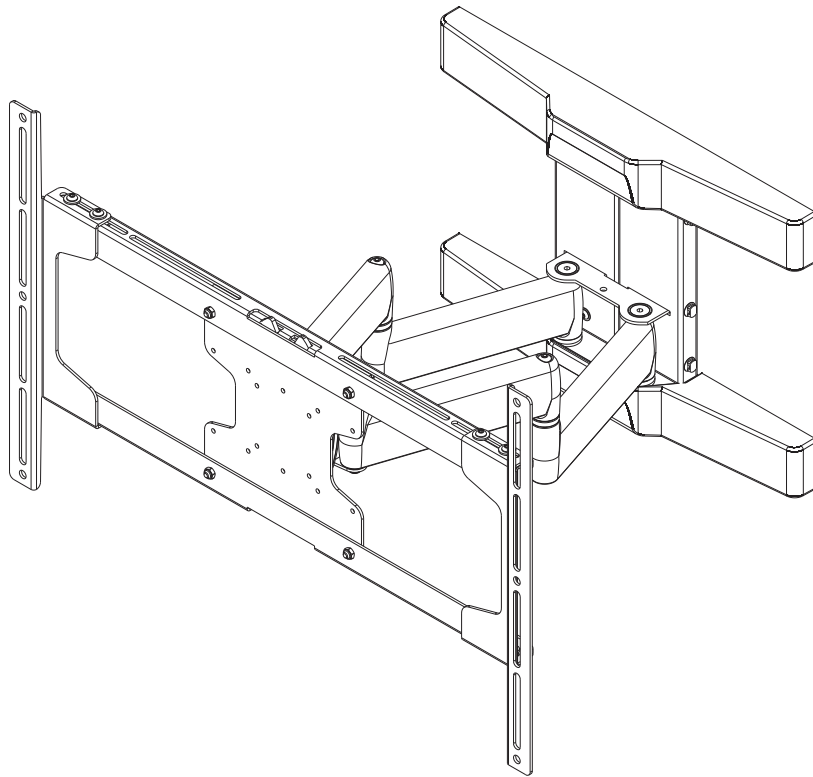

INSTALLATION INSTRUCTIONS



Outdoor Articulating Wall Mount

DISCLAIMER

Milestone AV Technologies, and its affiliated corporations and subsidiaries (collectively, "Milestone"), intend to make this manual accurate and complete. However, Milestone makes no claim that the information contained herein covers all details, conditions or variations, nor does it provide for every possible contingency in connection with the installation or use of this product. The information contained in this document is subject to change without notice or obligation of any kind. Milestone makes no representation of warranty, expressed or implied, regarding the information contained herein. Milestone assumes no responsibility for accuracy, completeness or sufficiency of the information contained in this document.

Chief® is a registered trademark of Milestone AV Technologies. All rights reserved.

DEFINITIONS

MOUNTING SYSTEM: A MOUNTING SYSTEM is the primary Chief product to which an accessory and/or component is attached.

ACCESSORY: AN ACCESSORY is the secondary Chief product which is attached to a primary Chief product, and may have a component attached or setting on it.

COMPONENT: A COMPONENT is an audiovisual item designed to be attached or resting on an accessory or mounting system such as a video camera, CPU, screen, display, projector, etc.



WARNING: A WARNING alerts you to the possibility of serious injury or death if you do not follow the instructions.



CAUTION: A CAUTION alerts you to the possibility of damage or destruction of equipment if you do not follow the corresponding instructions.



IMPORTANT SAFETY INSTRUCTIONS



WARNING: Failure to read, thoroughly understand, and follow all instructions can result in serious personal injury, damage to equipment, or voiding of factory warranty! It is the installer's responsibility to make sure all mounting systems/ accessories are properly assembled and installed using the instructions provided.



WARNING: Failure to provide adequate structural strength for this mounting system can result in serious personal injury or damage to equipment! It is the installer's responsibility to make sure the structure to which this mounting system is attached can support five times the combined weight of all equipment. Reinforce the structure as required before installing the mounting system.



WARNING: Exceeding the weight capacity can result in serious personal injury or damage to equipment! It is the installer's responsibility to make sure the combined weight of all components located between the ODMLA25 up to (and including) the display does not exceed 150 lbs (68 kg).



WARNING: Use this mounting system only for its intended use as described in these instructions. Do not use attachments not recommended by the manufacturer.



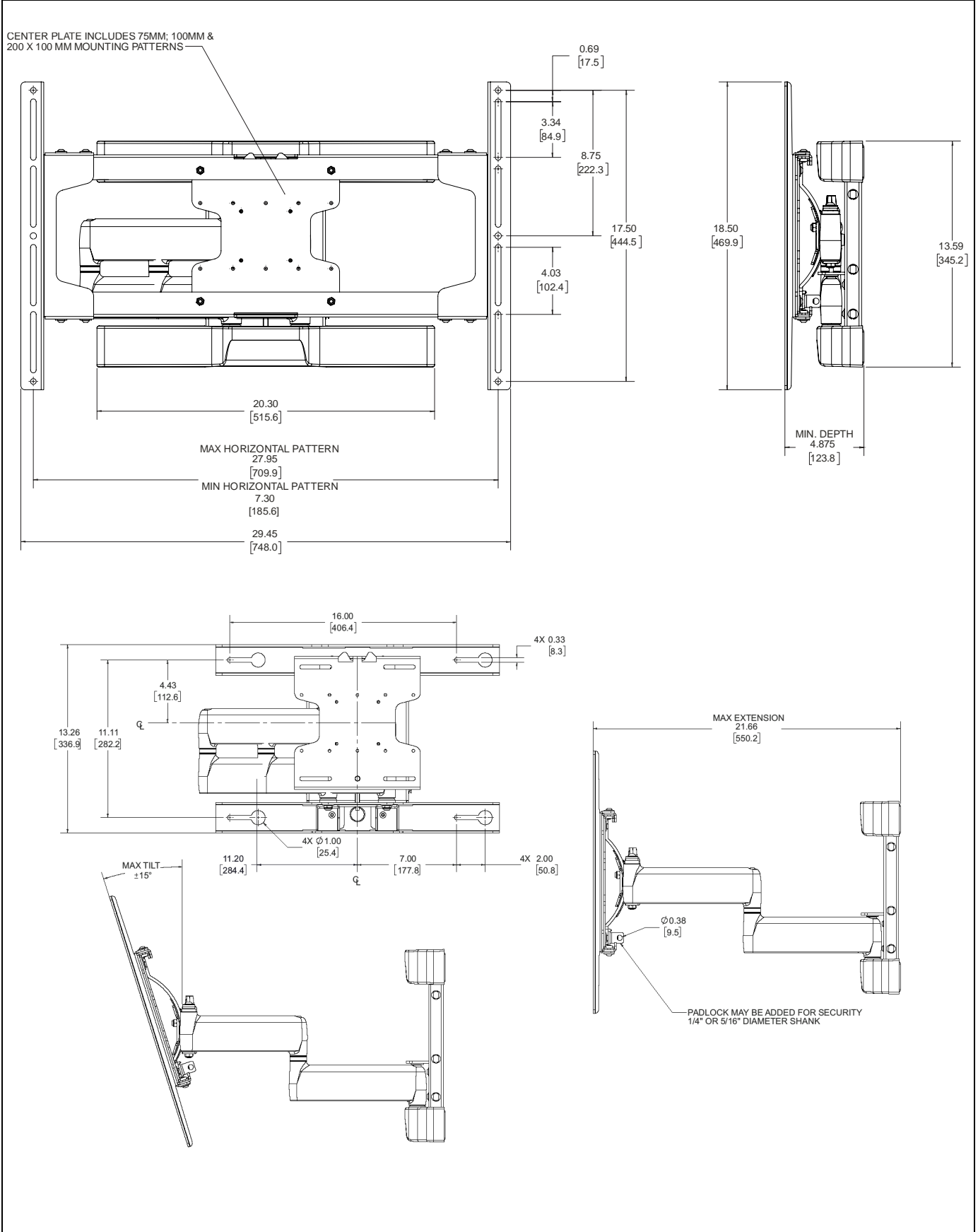
WARNING: Never operate this mounting system if it is damaged. Return the mounting system to a service center for examination and repair.

IMPORTANT ! : The ODMLA25 mounts are designed to be mounted to a 2" x 4" wood studs (16" or 24" on center) wall with a maximum covering of 5/8" thick drywall, plywood, OSB, fiberboard, buffalo board or other similar sheathing materials.

IMPORTANT ! : The ODMLA25 mounts may be installed to a bare 8" concrete wall or if 5/16 x 3" Buildex® Tapcon® anchors with Blue Climaseal® coating (not included) are used in place of lag bolts (X) provided.

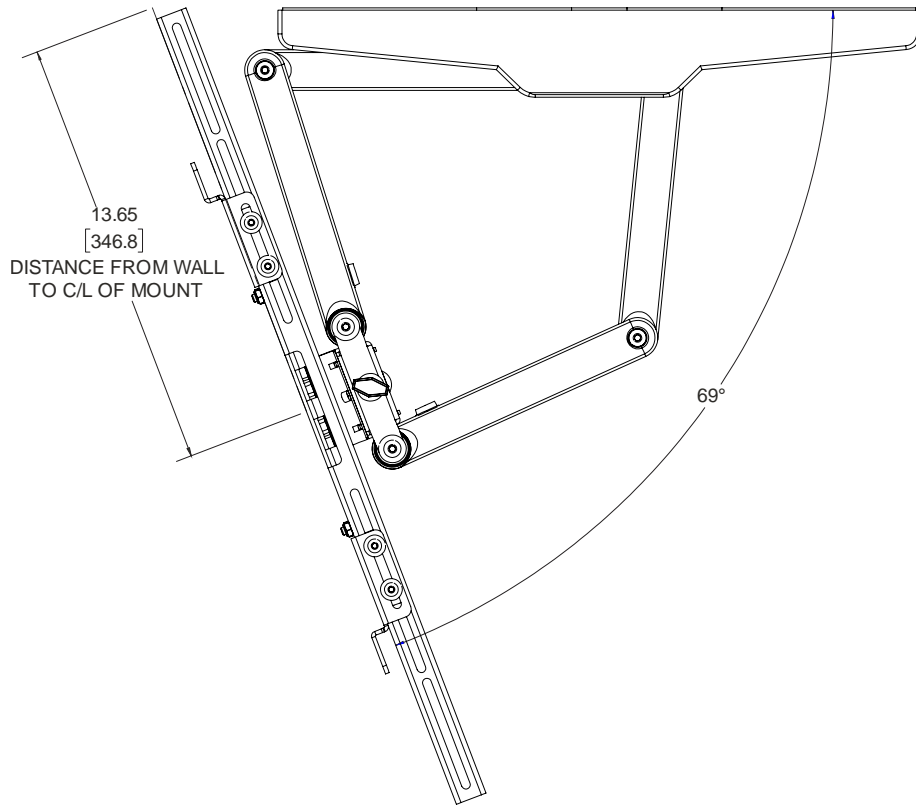
--SAVE THESE INSTRUCTIONS--

DIMENSIONS

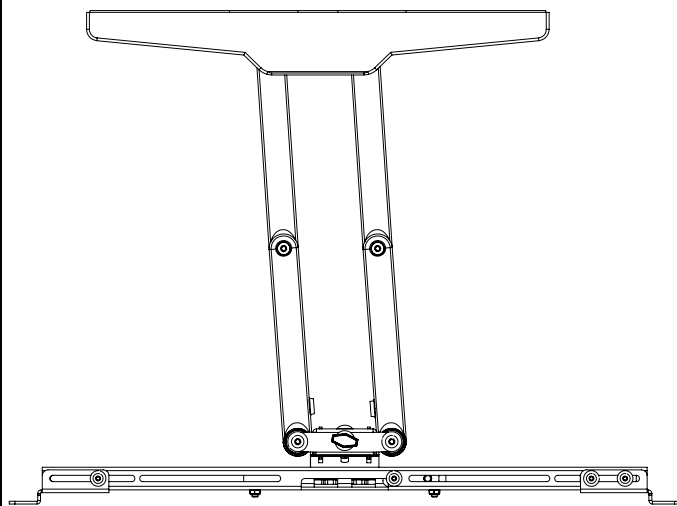


DIMENSIONS (CONTINUED)

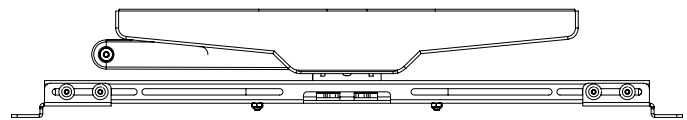
MAXIMUM SIDE SWIVEL



MAXIMUM EXTENSION



MINIMUM EXTENTION



LEGEND

	Tighten Fastener
	Apretar elemento de fijación
	Befestigungsteil festziehen
	Apertar fixador
	Serrare il fissaggio
	Bevestiging vastdraaien
Serrez les fixations	

	Pencil Mark
	Marcar con lápiz
	Stiftmarkierung
	Marcar com lápis
	Segno a matita
	Potloodmerkten
Marquage au crayon	

	Loosen Fastener
	Aflojar elemento de fijación
	Befestigungsteil lösen
	Desapertar fixador
	Allentare il fissaggio
	Bevestiging losdraaien
Desserrez les fixations	

	Drill Hole
	Perforar
	Bohrloch
	Fazer furo
	Praticare un foro
	Gat boren
Percez un trou	

	Phillips Screwdriver
	Destornillador Phillips
	Kreuzschlitzschraubendreher
	Chave de fendas Phillips
	Cacciavite a stella
	Kruiskopschroevendraaier
Tournevis à pointe cruciforme	

	Adjust
	Ajustar
	Einstellen
	Ajustar
	Regolare
	Afstellen
Ajuster	

	Open-Ended Wrench
	Llave de boca
	Gabelschlüssel
	Chave de bocas
	Chiave a punte aperte
	Steeksleutel
Clé à fourche	

	Remove
	Quitar
	Entfernen
	Remover
	Rimuovere
	Verwijderen
Retirez	

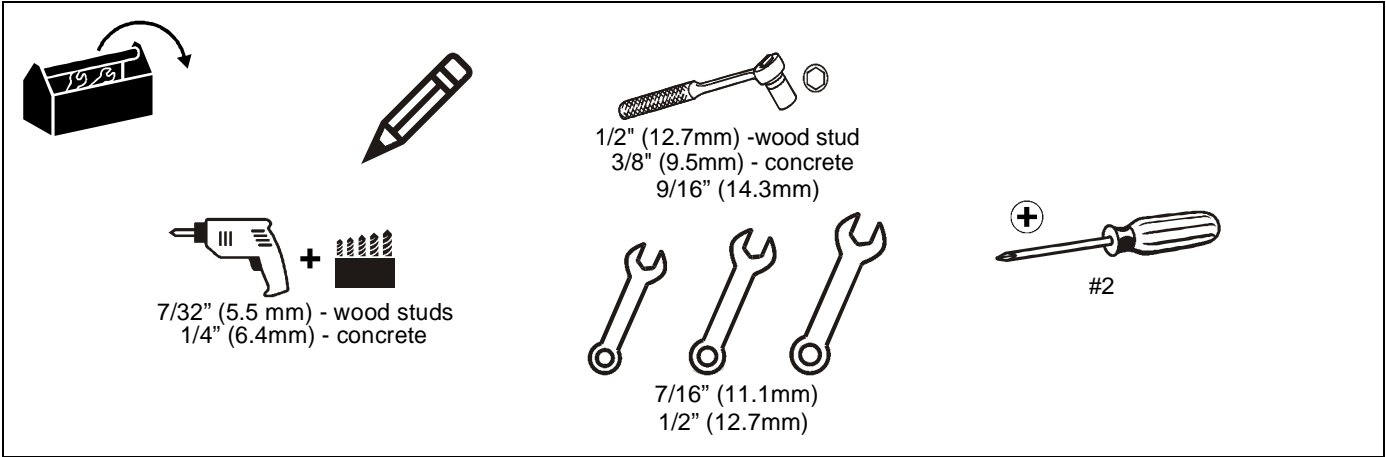
	By Hand
	A mano
	Von Hand
	Com a mão
	A mano
	Met de hand
À la main	

	Optional
	Opcional
	Optional
	Opcional
	Opzionale
	Optie
En option	

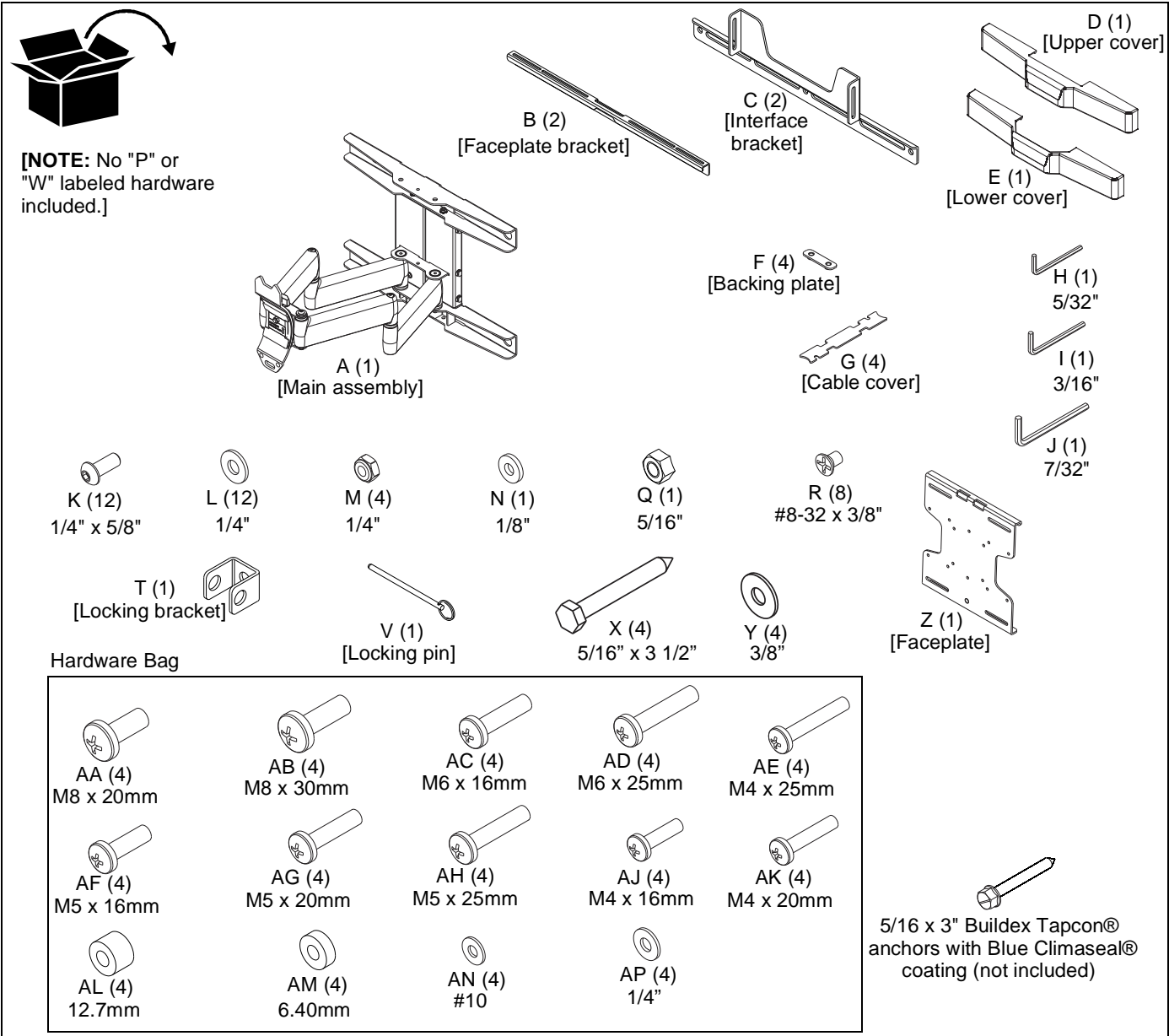
	Hex-Head Wrench
	Llave de cabeza hexagonal
	Sechskantschlüssel
	Chave de cabeça sextavada
	Chiave esagonale
	Zeskantsleutel
Clé à tête hexagonale	

	Security Wrench
	Llave de seguridad
	Sicherheitsschlüssel
	Chave de segurança
	Chiave di sicurezza
	Veiligheidssleutel
Clé de sécurité	

TOOLS REQUIRED FOR INSTALLATION



PARTS



ASSEMBLY and INSTALLATION

Install Arm Assembly/Wall Plate to Wall



WARNING: Failure to provide adequate structural strength for this component can result in serious personal injury or damage to equipment! It is the installer's responsibility to make sure the structure to which this component is attached can support five times the combined weight of all equipment. Reinforce the structure as required before installing the component.

IMPORTANT ! : The ODMLA25 mounts are designed to be mounted to a 2" x 4" wood studs (16" or 24" on center) wall with a maximum covering of 5/8" thick drywall, plywood, OSB, fiberboard, buffalo board or other similar sheathing materials.

IMPORTANT ! : The ODMLA25 mounts may be installed to a bare 8" concrete wall or if 5/16 x 3" Buildex® Tapcon® anchors with Blue Climaseal® coating (not included) are used in place of lag bolts (D) provided.

Wood Studs Installation

1. Level arm assembly/wall plate (A) and mark locations of pilot holes. (See Figure 1)
2. Drill four 7/32" pilot holes at marked locations. (See Figure 1)
3. Install four 5/16 x 3 1/2" lag screws (X) through four flat washers (Y), arm assembly/wall plate (A), into drilled holes. (See Figure 1)

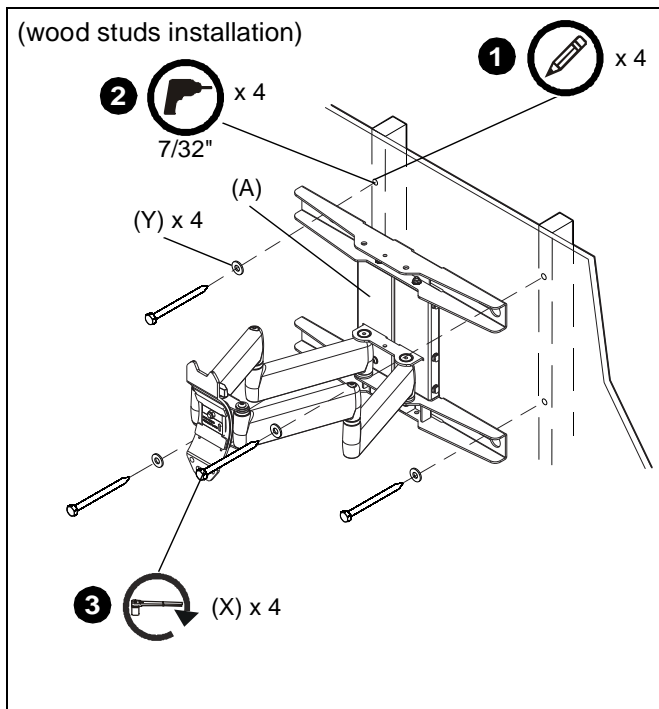


Figure 1

Concrete Installation

1. Level arm assembly/wall plate (A) and mark locations of pilot holes. (See Figure 2)
2. Drill four 1/4" pilot holes at marked locations. (See Figure 2)
3. Install four Buildex® Tapcon® anchors through four flat washers (Y), arm assembly/wall plate (A), into drilled holes. (See Figure 2)

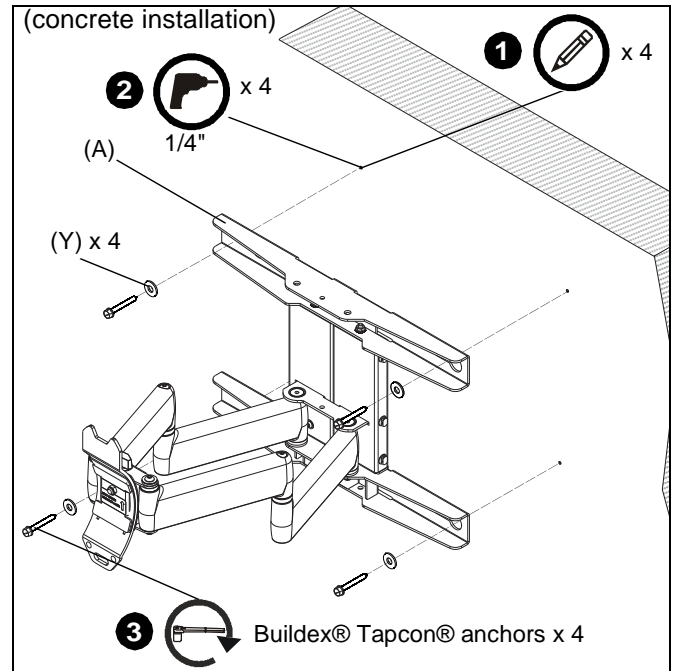


Figure 2

Cover Installation

1. Install upper and lower covers (D and E) onto main assembly (A) mounting rails. (See Figure 3)

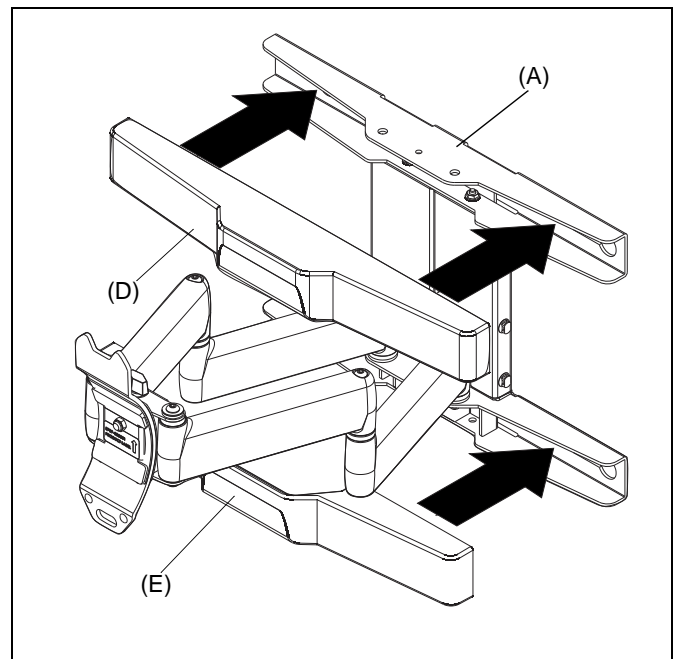


Figure 3

Installing Interface Brackets to Display

1. Place display face down on a soft, non-abrasive surface.
2. (If applicable) Remove four sets of bolts and washers that were shipped attached to the back of the display. (See Figure 4)

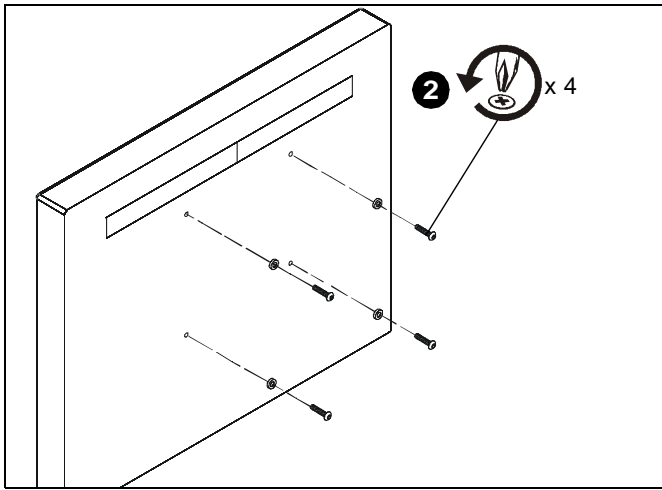


Figure 4

3. Place two interface brackets (C) on the back of the display, with the indented brackets facing toward the inside of the television. (See Figure 5)

NOTE: Spacers (AL and AM) are used to offset the bracket if the mounting holes are recessed or to get around the protrusions.

4. Secure the interface brackets (C) to the display. Select the mounting hardware that fits your application. (See Figure 5)
 - Use spacers (AL and AM), if necessary.
 - Use M6 screws (AC or AD) or M8 screws (AA or AB) and 1/4" washers (AP).
 - Or, use M4 screws (AE, AJ or AK) or M5 screws (AF, AG or AH), 1/4" washers (AP) and #10 washers (AN).

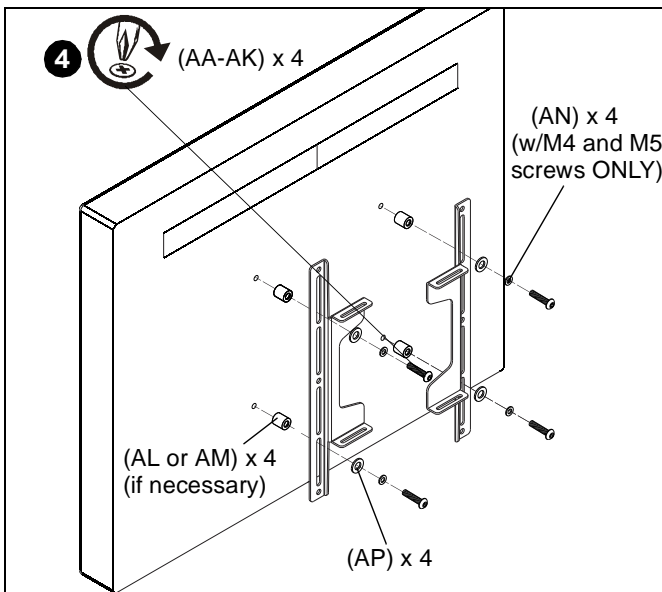


Figure 5

Install Faceplate Brackets to Faceplate

1. Align faceplate brackets (B) with faceplate (Z) and slide into position. (See Figure 6)

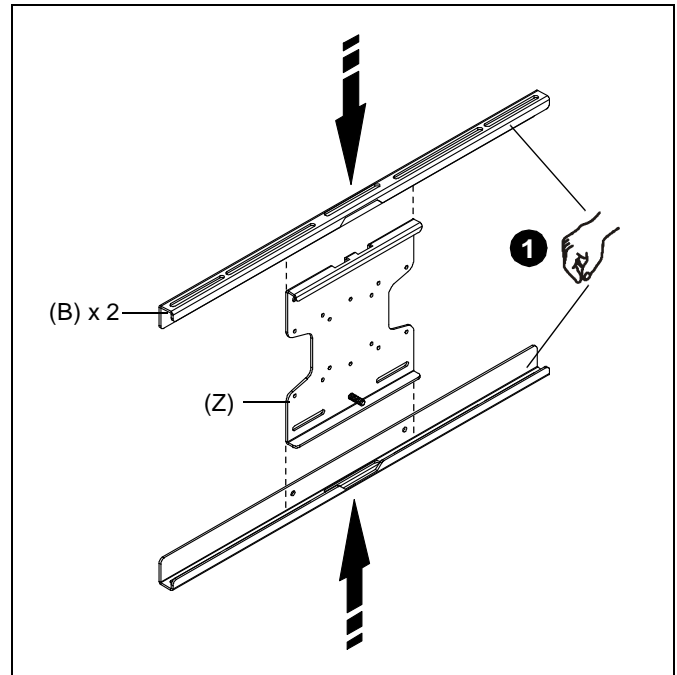


Figure 6

2. Using 5/32" hex key (H), install four 1/4 x 5/8" button head cap screws (K) through four 1/4" washers (L), faceplate (Z), faceplate brackets (B), into four 1/4" nuts (M). Tighten securely. (See Figure 7)

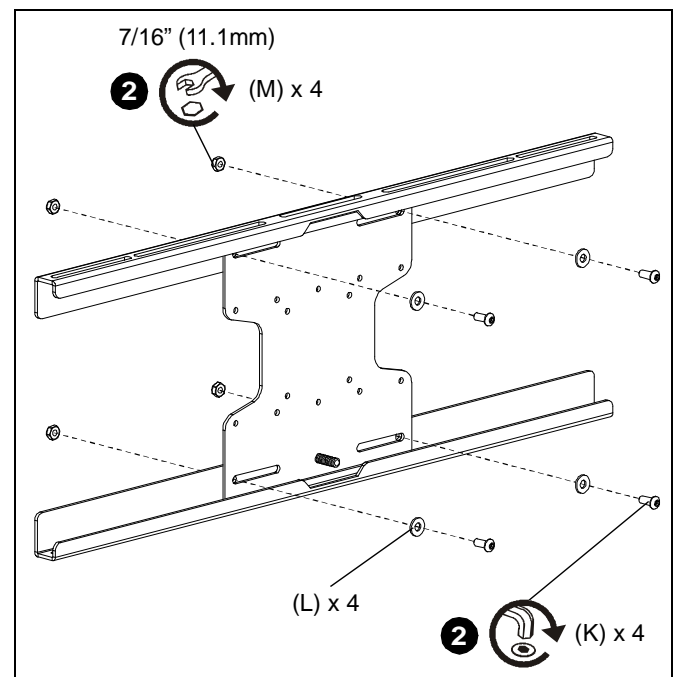


Figure 7

Install Faceplate to Display

1. Align faceplate brackets (B) with interface brackets (C), aligning the center of display with the faceplate bolt. (See Figure 8) and (See Figure 9)

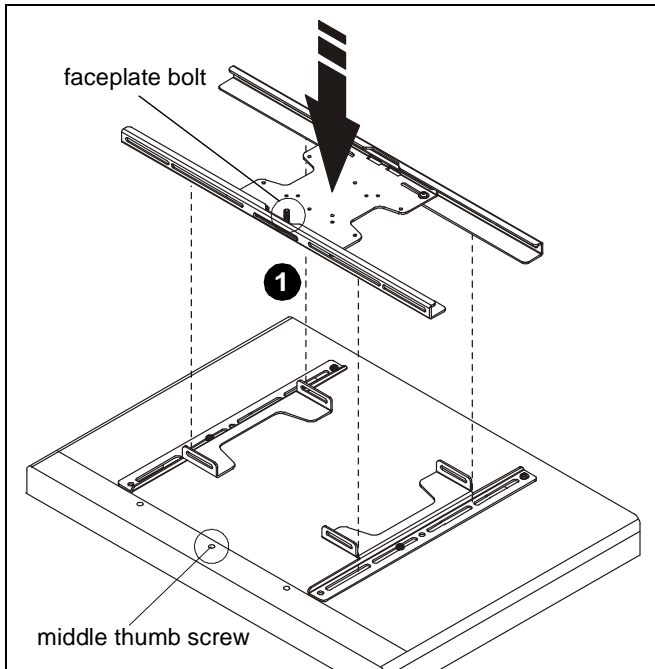


Figure 8

2. Using 5/32" hex key (H), install eight 1/4 x 5/8" screws (K) through eight 1/4" washers (L) and faceplate brackets (B) into four backing plates (F). Tighten securely. (See Figure 9)

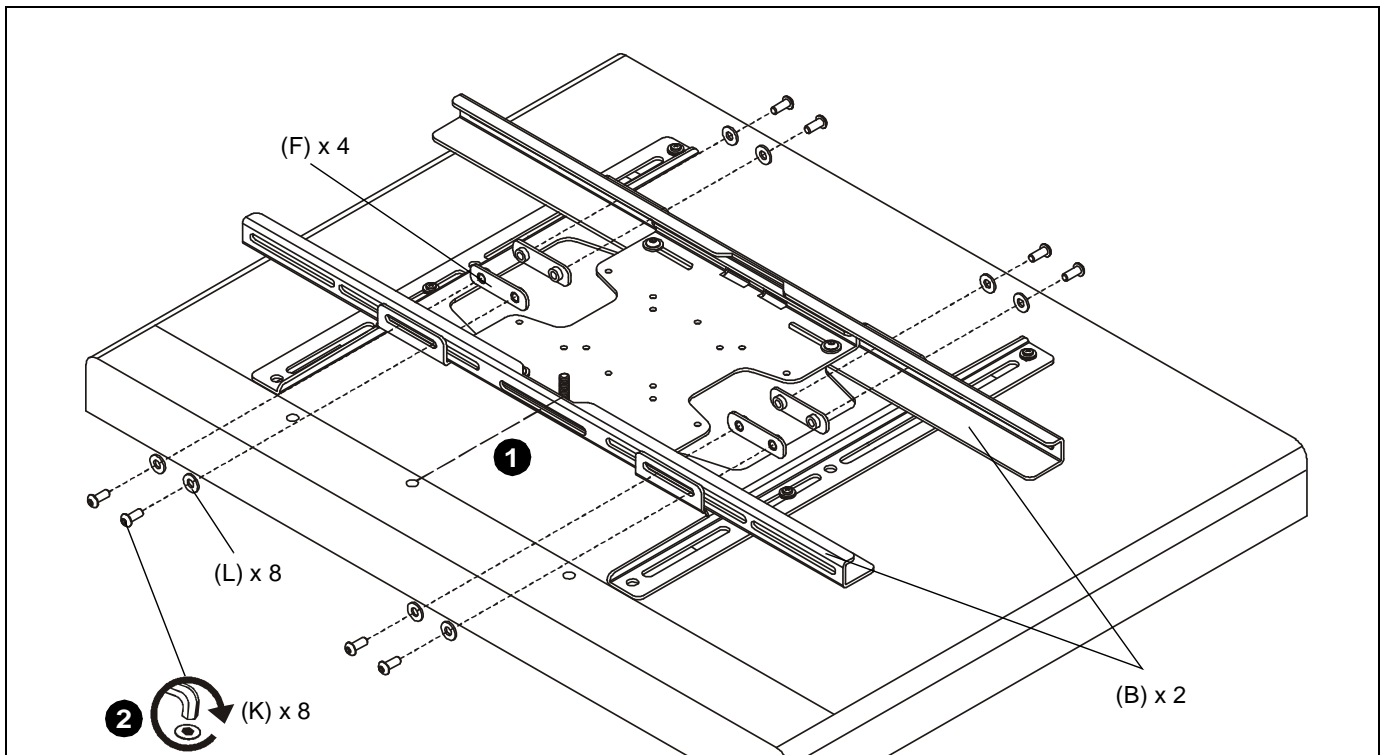


Figure 9

Display Installation



WARNING: Exceeding the weight capacity can result in serious personal injury or damage to equipment! It is the installer's responsibility to make sure the combined weight of all components located between the ODMLA25 up to (and including) the display does not exceed 150 lbs (68 kg).

1. Align slots on upper portion of faceplate (Z) with tabs on upper portion of arm assembly (A). Lower display into place, pivoting threaded stud on faceplate (Z) into slot on arm assembly (A). (See Figure 10)
2. Install spacer (N), locking bracket (T), and nut (Q) onto threaded stud. Tighten securely. (See Figure 10)

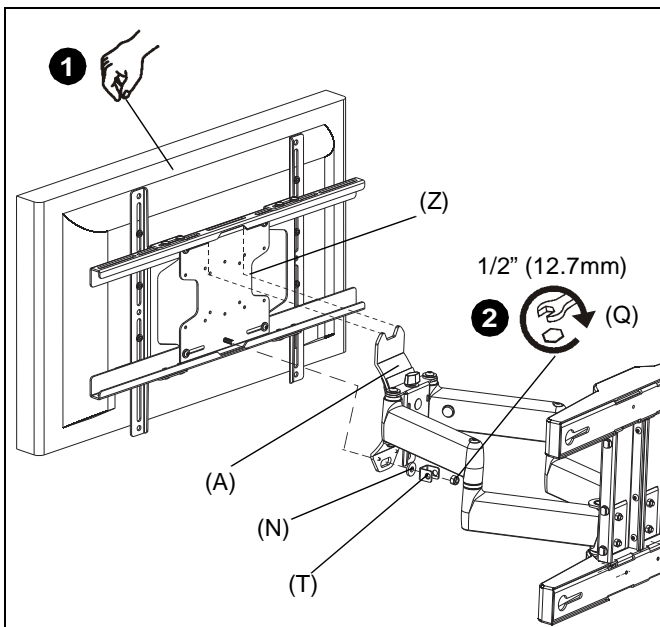


Figure 10

3. (Optional) Install padlock through locking bracket (T). (See Figure 11)

NOTE: Padlock should have a shackle diameter of 1/4" or 5/16". and a clearance height of 1".

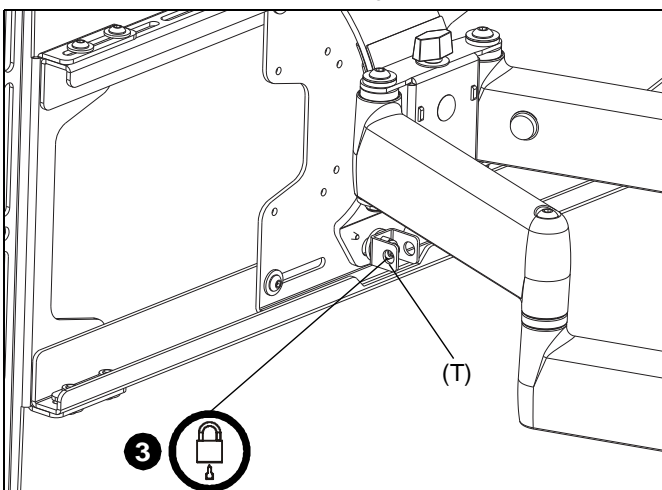


Figure 11

Cable Management



CAUTION: Ensure that adequate cable slack exists for movement of display, and that cables will not be pinched by installation of covers (G) or screws (R).

1. Carefully insert cables into cavities located in lower portions of mount arms. (See Figure 12)
2. Install each cover (G) with two screws (R). (See Figure 12)

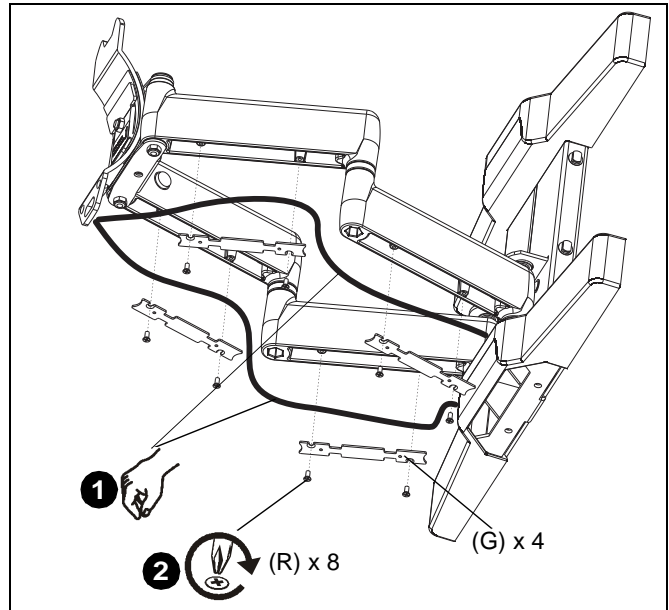


Figure 12

Adjustments

Pitch

1. Loosen pitch adjustment knob. (See Figure 13)
2. Tilt display to desired angle (-15° to +15°). (See Figure 13)
3. Tighten pitch adjustment knob. (See Figure 13)

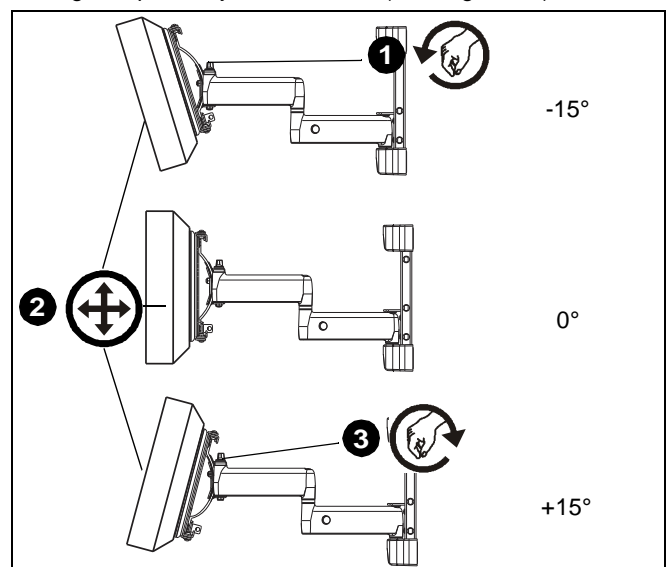


Figure 13

Roll

1. Roll position may be adjusted 2.5° in either direction. (See Figure 14)

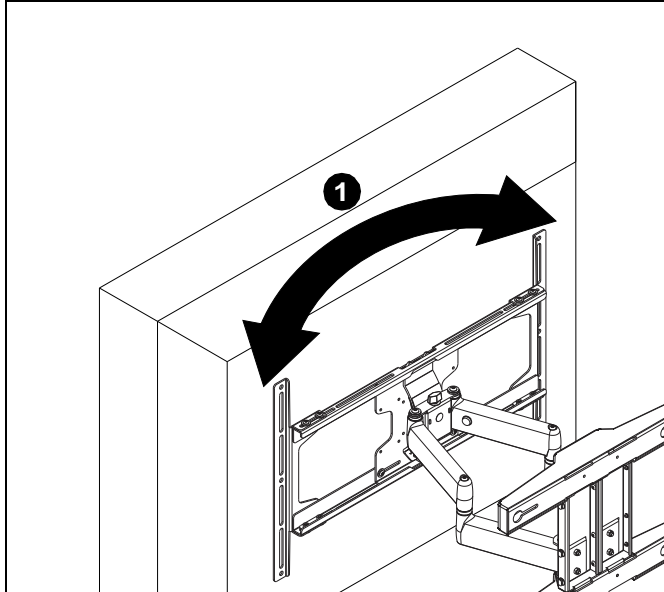


Figure 14

Extension and Swivel Tension



WARNING: Excessive loosening or tightening of adjustment screws can result in serious personal injury or damage to equipment!

1. Using hex keys (I, J), loosen or tighten adjustment screws as required to achieve desired tension. (See Figure 15)

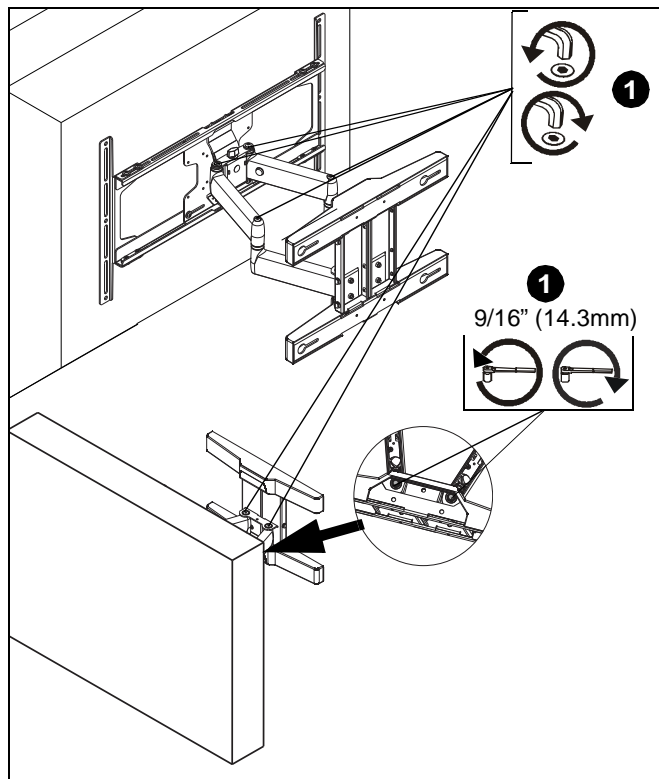


Figure 15

Locking in Collapsed Position

The ODMLA25 may be locked in the collapsed position by using the locking pin (V).

1. Insert locking pin (V) through lower bracket on main assembly (A) and into holes on brackets behind faceplate. (See Figure 16) and (See Figure 17)

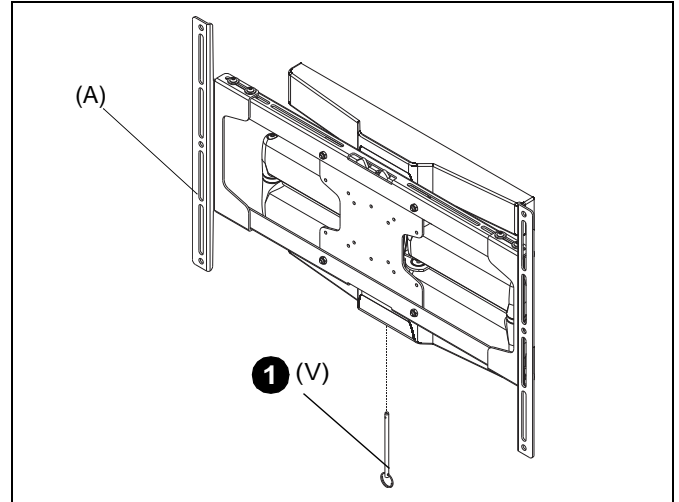


Figure 16

(faceplate hidden for clarity)

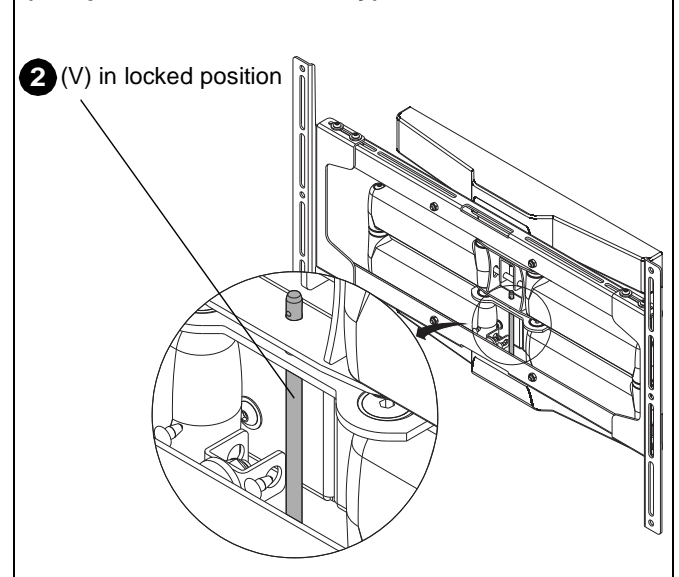


Figure 17



Our Mounts. **Your Vision.**

Chief, a products division of
Milestone AV Technologies

8800-002948 Rev04
©2017 Milestone AV Technologies
www.milestone.com
09/17

USA/International	A 6436 City West Parkway, Eden Prairie, MN 55344 P 800.582.6480 / 952.225.6000 F 877.894.6918 / 952.894.6918
Europe	A Franklinstraat 14, 6003 DK Weert, Netherlands P +31 (0) 495 580 852 F +31 (0) 495 580 845
Asia Pacific	A Office No. 918 on 9/F, Shatin Galleria 18-24 Shan Mei Street Fotan, Shatin, Hong Kong P 852 2145 4099 F 852 2145 4477

