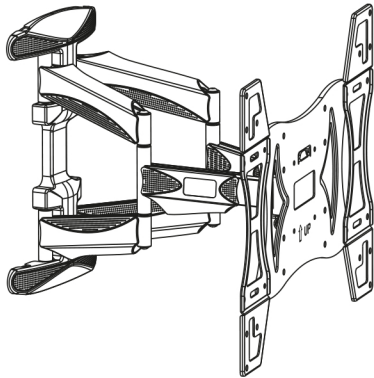




M VESA Flexarm Full Motion Dual, 600x400

- ar والبلازما TFT و LCD حامل التركيب على الجدار لشاشات
- dk Vægbeslag til LCD-skærm, TFT-skærm og plasmaskærm
- de Wandhalterung für LCD-, TFT- und Plasma-Geräte
- el Βραχίονας Τοίχου για οθόνες LCD, TFT και
- en Wall Bracket for LCD, TFT and Plasma
- es Soporte de pared para LCD, TFT y Plasma
- fi Seinäkiinnike LCD-, TFT- ja plasmanäytöille
- fr Support mural pour écrans LCD, TFT et plasma
- it Staffa per il montaggio a parete di LCD, TFT e plasma
- no Veggbrakett for LCD, TFT og plasma
- pl Uchwyt ścienny do monitora LCD, TFT i plazmowego
- ru Стенной кронштейн для ЖК, плазменного телевизора или TFT
- se Väggfäste för LCD-, TFT- och plasmaskärm
- tr LCD, TFT ve Plazma Duvar Desteği
- zh LCD, TFT 和等离子电视的壁上支架









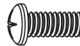



Fits most 40"-60" flat panel TV
 Weight capacity : 45.5kg (100lbs)
 VESA compliance : 100x100, 100x200
 200x200, 200x400
 300x300, 400x400
 400x600mm

WARNING

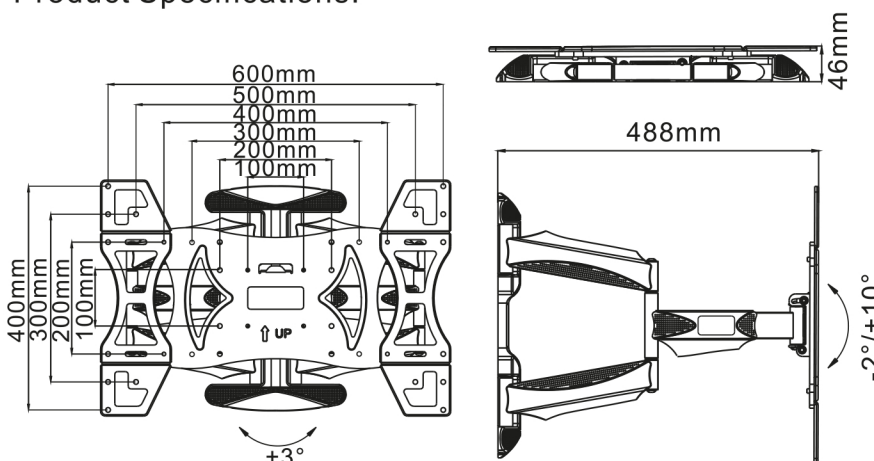
Severe personal injury and property damage can result from improper installation or assembly. Read the following warning carefully before beginning.

- Products must be installed by professionals.
- If you do not understand the instructions or have any concerns or questions, please contact a qualified local installer.
- Do not install or assemble if the product or hardware is damaged or missing, if you require replacement parts, please contact your local distributor for assistance.
- This product fits most 40"-60" LCD / plasma screen; maximum weight of LCD / plasma screen: 45.5kg / 100lbs.
- This product has been designed for use on masonry (solid concrete, 2000 PSI density minimum).
- For safe installation, the wall you are mounting to must support minimum 3 times the weight of the total load (the mount, the TV and all accessories).
- Do not use this product for any other application than originally designed.
- This product contains moving parts, please use with caution.
- When installing flat panel display, please do not damage electrical wiring or power source.
- The manufacturer will bear no responsibility for mounting to the vertical wall, or incidental or consequential damages arising thereof.
- The manufacturer disclaims any liability for the modifications, improper installation, or installation over the specified weight range.
- The manufacturer will not be liable for any damages arising out of the use of, inability to use, the product.

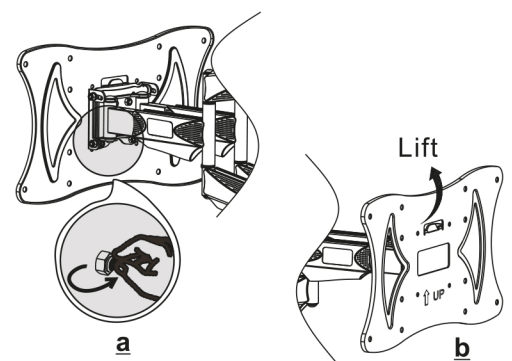
Parts List:

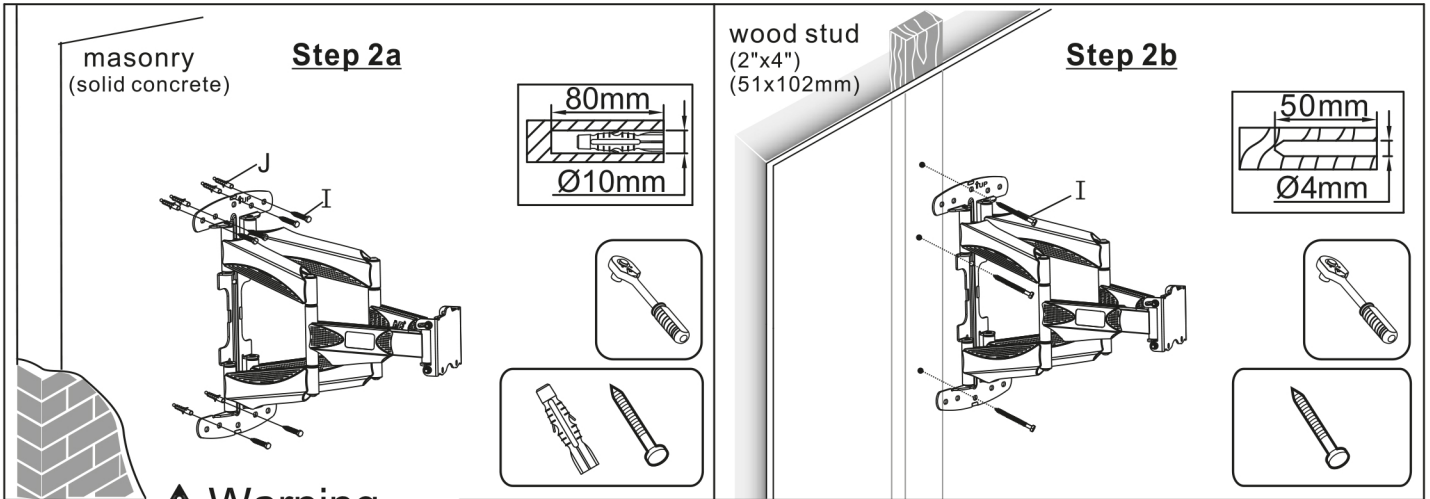
- | | | |
|-------------------------------------------------------------------------------------------------------------|---------------------------------------------------------------------------------------------------------------|----------------------------------------------------------------------------------------------------------------------------|
| A-  (M5x25)-4 pcs | E-  (Ø13xØ6.0x1.6mm)-4 pcs | H-  (10mm)-1 pcs |
| B-  (M6x25)-4 pcs | F-  (M6)-4 pcs | *I-  (7x80)-6 pcs+2pcs (Spare) |
| C-  (M8x25)-4 pcs | G-  (5mm)-1 pcs | *J-  (Ø10xØ7x60mm)-6 pcs+2pcs (Spare) |
| D-  (Ø18xØ27x14mm)-4 pcs | | |

Product Specifications:



Step 1





Warning

When mounting on masonry (solid concrete), Use wall anchors(J).

When mounting on wood stud (2"x4")(51x102mm) , No wall anchors (J) used.

Correct (✓) Incorrect (X)

