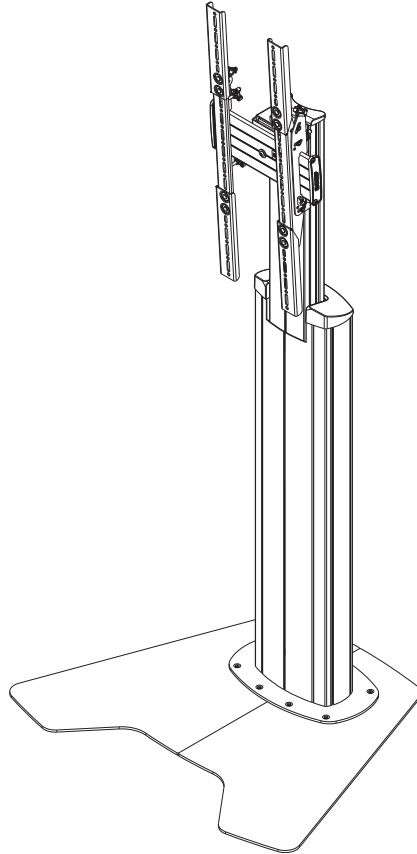

INSTALLATION INSTRUCTIONS



Portrait Stretch Mount Stand

DISCLAIMER

Milestone AV Technologies and its affiliated corporations and subsidiaries (collectively "Milestone"), intend to make this manual accurate and complete. However, Milestone makes no claim that the information contained herein covers all details, conditions or variations, nor does it provide for every possible contingency in connection with the installation or use of this product. The information contained in this document is subject to change without notice or obligation of any kind. Milestone makes no representation of warranty, expressed or implied, regarding the information contained herein. Milestone assumes no responsibility for accuracy, completeness or sufficiency of the information contained in this document.

Chief® is a registered trademark of Milestone AV Technologies. All rights reserved.

DEFINITIONS

MOUNTING SYSTEM: A MOUNTING SYSTEM is the primary Chief product to which an accessory and/or component is attached.

ACCESSORY: AN ACCESSORY is the secondary Chief product which is attached to a primary Chief product, and may have a component attached or setting on it.

COMPONENT: A COMPONENT is an audiovisual item designed to be attached or resting on an accessory or mounting system such as a video camera, CPU, screen, display, projector, etc.



WARNING: A WARNING alerts you to the possibility of serious injury or death if you do not follow the instructions.



CAUTION: A CAUTION alerts you to the possibility of damage or destruction of equipment if you do not follow the corresponding instructions.



IMPORTANT SAFETY INSTRUCTIONS



WARNING: Failure to read, thoroughly understand, and follow all instructions can result in serious personal injury, damage to equipment, or voiding of factory warranty! It is the installer's responsibility to make sure all components are properly assembled and installed using the instructions provided.



WARNING: Failure to provide adequate structural strength for this component can result in serious personal injury or damage to equipment! It is the installer's responsibility to make sure the structure to which this component is attached can support five times the combined weight of all equipment. Reinforce the structure as required before installing the component.



WARNING: Exceeding the weight capacity can result in serious personal injury or damage to equipment! It is the installer's responsibility to make sure the combined weight of all components attached to the MFAUBSP up to (and including) the display does not exceed 125 lbs (56.7 kg). Use with heavier televisions may result in instability causing tip over resulting in death or serious injury!



WARNING: Use this mounting system only for its intended use as described in these instructions. Do not use attachments not recommended by the manufacturer.



WARNING: Never operate this mounting system if it is damaged. Return the mounting system to a service center for examination and repair.



WARNING: Do not use this product outdoors.



WARNING: RISK OF SERIOUS INJURY OR DEATH!
Placing a remote control or toy on the stand may encourage a child to climb onto the stand causing the stand to tip over onto the child. DO NOT place remote controls or toys on the stand!

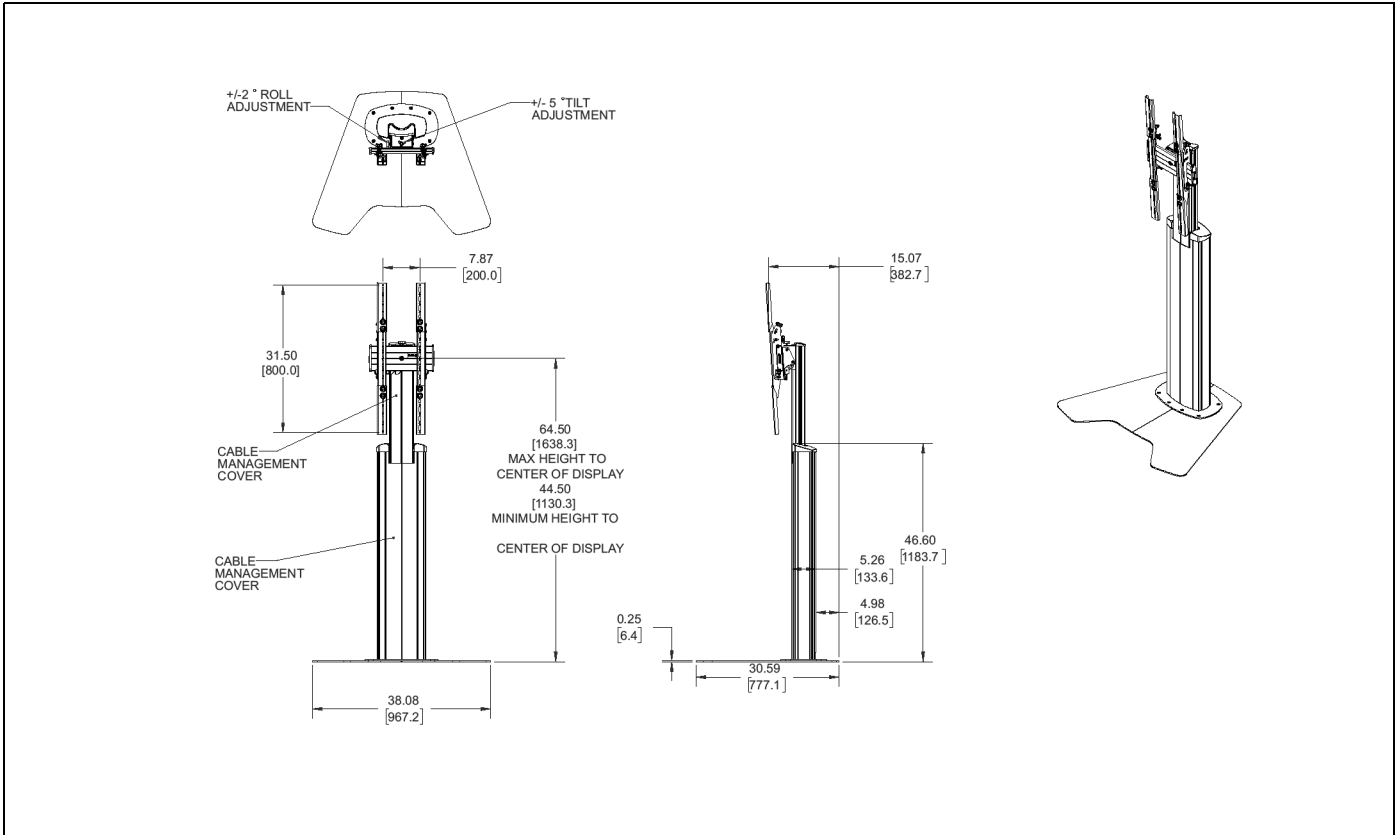


WARNING: RISK OF SERIOUS INJURY OR DEATH!
Relocating audio and/or video equipment to the stand may result in the stand collapsing or overturning onto a child. DO NOT relocate audio and/or video equipment to the stand!

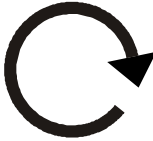

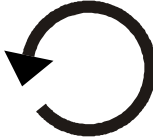









NOTE: The MFAUBSP stand has no user serviceable parts.

--SAVE THESE INSTRUCTIONS--

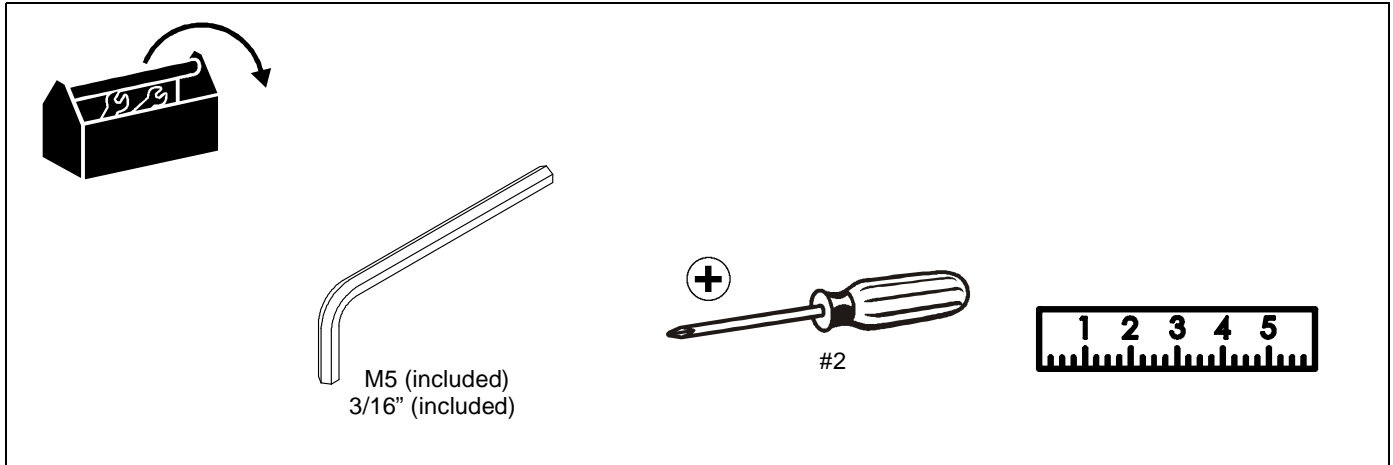
DIMENSIONS



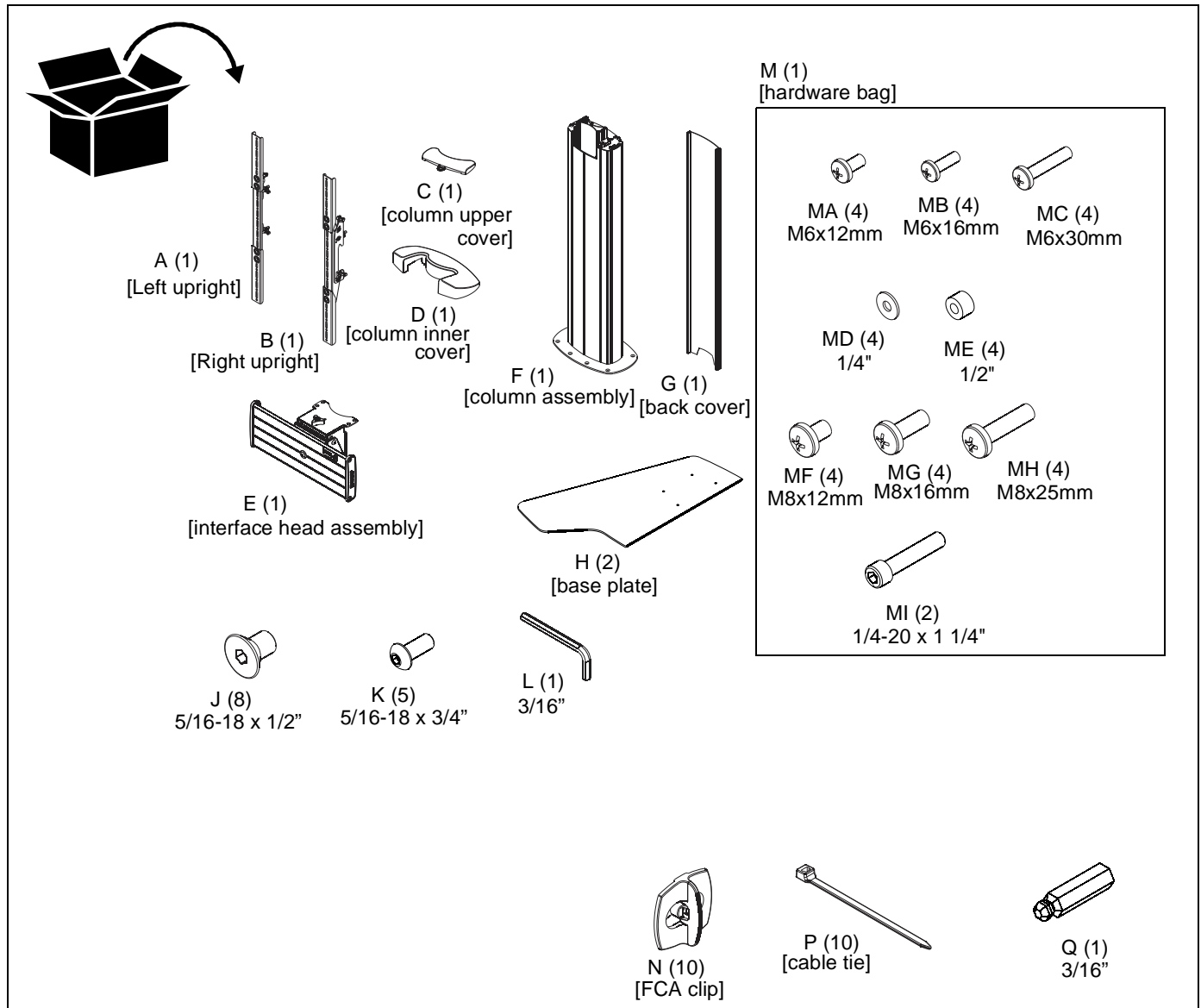
LEGEND

	Tighten Fastener Apretar elemento de fijación Befestigungsteil festziehen Apertar fixador Serrare il fissaggio Bevestiging vastdraaien Serrez les fixations		Pencil Mark Marcar con lápiz Stiftmarkierung Marcar com lápis Segno a matita Potloodmerkteken Marquage au crayon
	Loosen Fastener Aflojar elemento de fijación Befestigungsteil lösen Desapertar fixador Allentare il fissaggio Bevestiging losdraaien Desserrez les fixations		Drill Hole Perforar Bohrloch Fazer furo Praticare un foro Gat boren Percez un trou
	Phillips Screwdriver Destornillador Phillips Kreuzschlitzschraubendreher Chave de fendas Phillips Cacciavite a stella Kruiskopschroevendraaier Tournevis à pointe cruciforme		Adjust Ajustar Einstellen Ajustar Regolare Afstellen Ajuster
	Open-Ended Wrench Llave de boca Gabelschlüssel Chave de bocas Chiave a punte aperte Steeksleutel Clé à fourche		Remove Quitar Entfernen Remover Rimuovere Verwijderen Retirez
	By Hand A mano Von Hand Com a mão A mano Met de hand À la main		Optional Opcional Optional Opcional Opzionale Optie En option
	Hex-Head Wrench Llave de cabeza hexagonal Sechskantschlüssel Chave de cabeça sextavada Chiave esagonale Zeskantsleutel Clé à tête hexagonale		Security Wrench Llave de seguridad Sicherheitsschlüssel Chave de segurança Chiave di sicurezza Veiligheidsleutel Clé de sécurité

TOOLS REQUIRED FOR INSTALLATION



PARTS



Assembly And Installation



CAUTION: Attachment holes may be damaged if a power drill is used to insert button head cap screws. Screws should first be inserted and turned **BY HAND** with the hex key or with a hand-held screwdriver **BEFORE** using the hex head drill bit and power drill to complete the attachment.

1. Use eight 5/16-18 x 1/2" flat head cap screws (J) to secure two base plates (H) to column assembly (F). (See Figure 1)

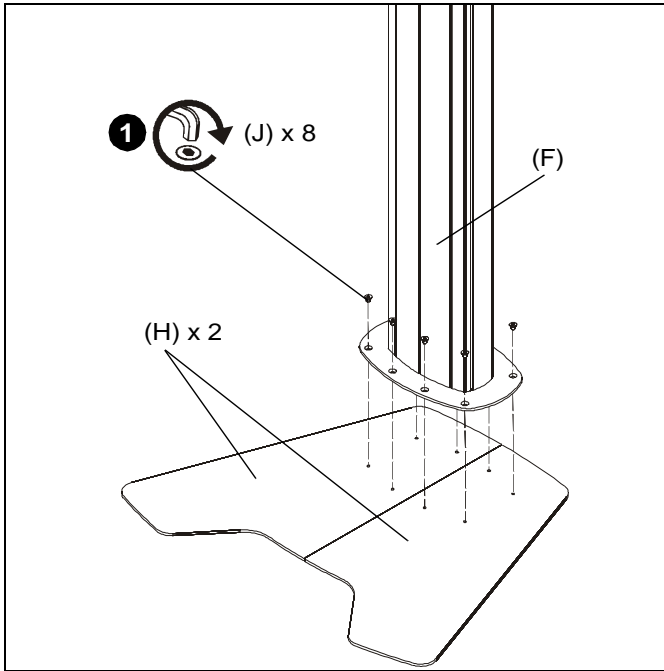


Figure 1

2. Slide interface head assembly (E) into column assembly (F). (See Figure 2)
3. Use four 5/16-18 x 3/4" button head cap screws (K) to secure interface head assembly (E) to column assembly (F). (See Figure 2)

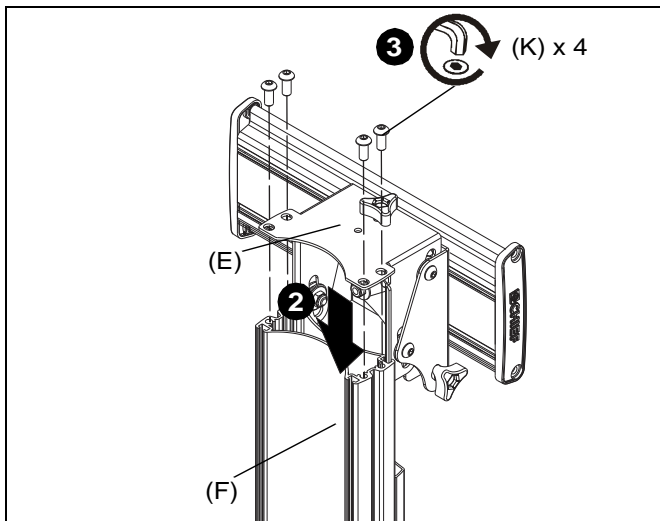


Figure 2

4. Use remaining 5/16-18 x 3/4" button head cap screw (K) to secure column upper cover (C) to interface head assembly (E). (See Figure 3)
5. Snap column inner cover (D) onto column assembly (F). (See Figure 3)

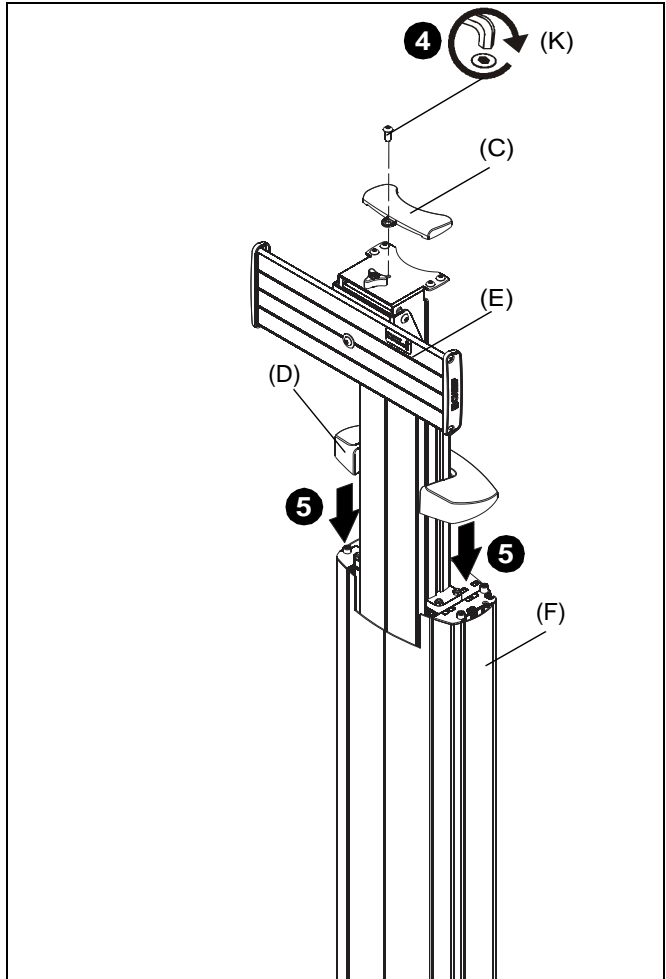


Figure 3

Display Installation



WARNING: Exceeding the weight capacity can result in serious personal injury or damage to equipment! It is the installer's responsibility to make sure the combined weight of all components attached to the MFAUBSP up to (and including) the display does not exceed 125 lbs (56.7 kg). Use with heavier televisions may result in instability causing tip over resulting in death or serious injury!



CAUTION: Using screws of improper diameter may damage your display! Proper screws will easily thread into display mounting holes.

1. Place display face down on a soft, non-abrasive surface.
2. Select screw *diameter* by examining hardware (MA-MC and MF-MH) (6mm or 8mm) and comparing with mounting holes on display. (See Figure 4)
3. Select spacers:
 - If mounting holes are not recessed and interface brackets (A and B) can lay flat against display, then no spacers are required.
 - If mounting holes are recessed, or if protrusions prevent brackets (A and B) from laying flat, then spacers (ME) must be used.



CAUTION: Using screws of improper length may damage your display! Proper screws will have adequate thread engagement without contacting bottom of display mounting holes.

4. Select screw *length*: (See Figure 4)

- Using your hand, insert **SHORTEST** length screw of selected diameter (MA or MF) through 1/4" washer (MD), bracket (A or B), selected spacer (ME, if required), into display mounting hole. Do NOT thread screw into hole at this time.
 - Proper screw length requires base of screw head to protrude above flat washer a *distance equal to or greater than the screw diameter*. If screw length is inadequate, select longer screw. Select *shortest* screw which will protrude the required distance.
5. Use selected screws (MA-MC or MF-MH), washers (MD) and spacers (ME), if necessary, to connect interface brackets (A and B) to back of display. Make sure diamond on interface brackets is even with center of display. (See Figure 4)

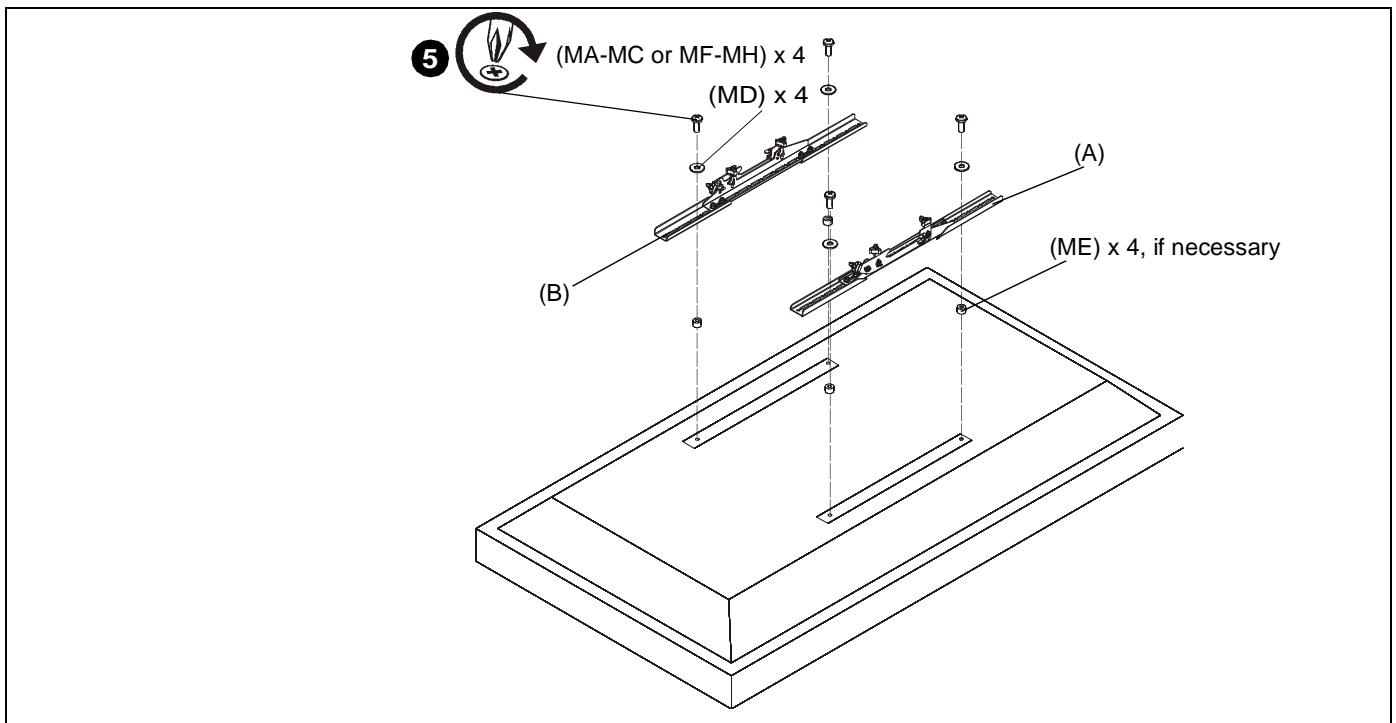


Figure 4



WARNING: Display may be very heavy! Ensure display may be safely lifted and maneuvered as required to install on cart. Failure to take adequate precautions can result in serious personal injury or damage to equipment!

6. Hang interface brackets (A and B) to interface head assembly (E). (See Figure 5)
7. Use 1/4-20 x 1 1/4" socket head cap screws (MI) to secure interface brackets (A and B) to rails for each display. Screws must engage through both holes to be fully secured. (See Figure 5)

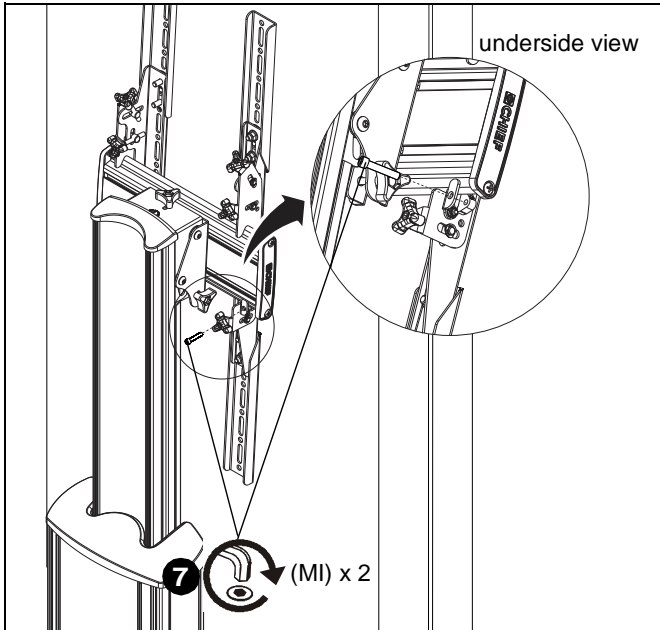


Figure 5

IMPORTANT ! : In order to ensure an even mount, install uprights to be centered over column assembly. Do NOT install both uprights to the same side of column assembly! (See Figure 6)

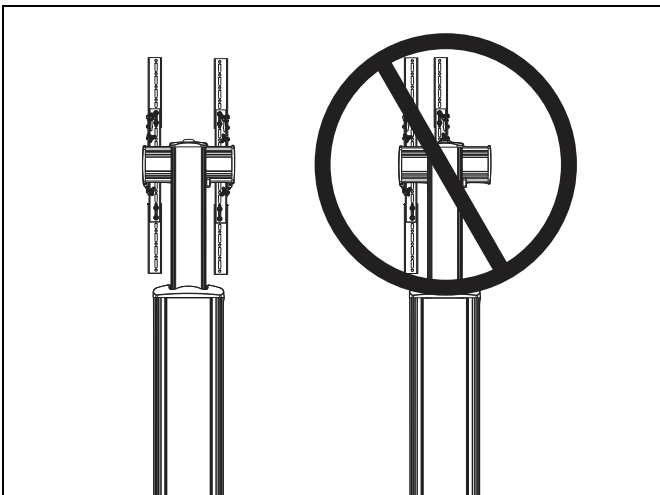


Figure 6

Cable Management

NOTE: The following cable management options may vary based on type of display being mounted and user preference.

1. Place FCA clip (N) into groove on back of Fusion mount with clip handle in a vertical position. (See Figure 7)
2. Rotate FCA clip (N) 90° in either direction until clip handle is in a horizontal position. (See Figure 7)
3. Repeat Steps 1-2 for all clips to be installed.

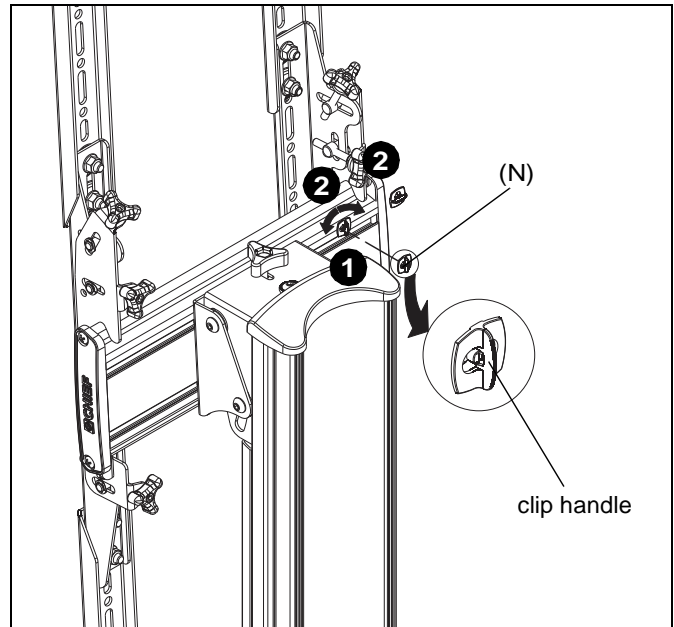


Figure 7

4. Route cables along FCA clips to be used for cable management. (See Figure 8)
5. Use cable ties (P) to secure cables to FCA clips. (See Figure 8)

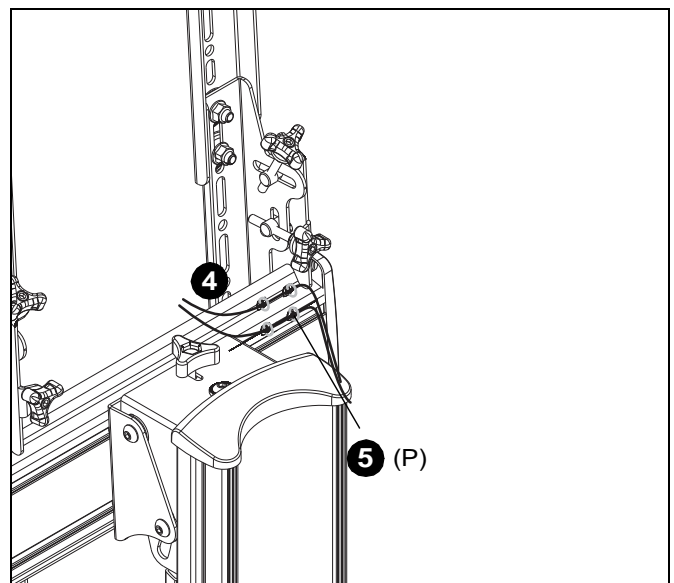


Figure 8

- Route cables from display through front channel of column assembly. (See Figure 9)

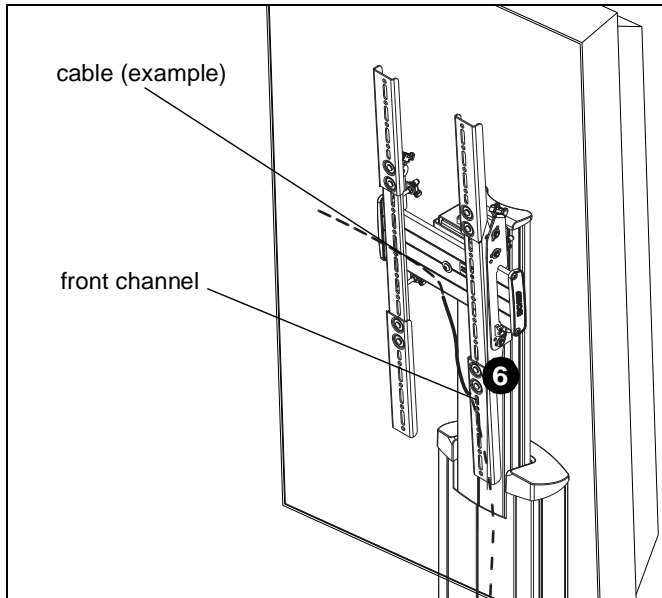


Figure 9

- Route cables down column channel, tucking them behind height-adjustment carriage and underneath bracket holding height-adjustment shaft.
- Snap back cover (G) onto back of column assembly making sure cables fit through opening at bottom of cover. (See Figure 10)

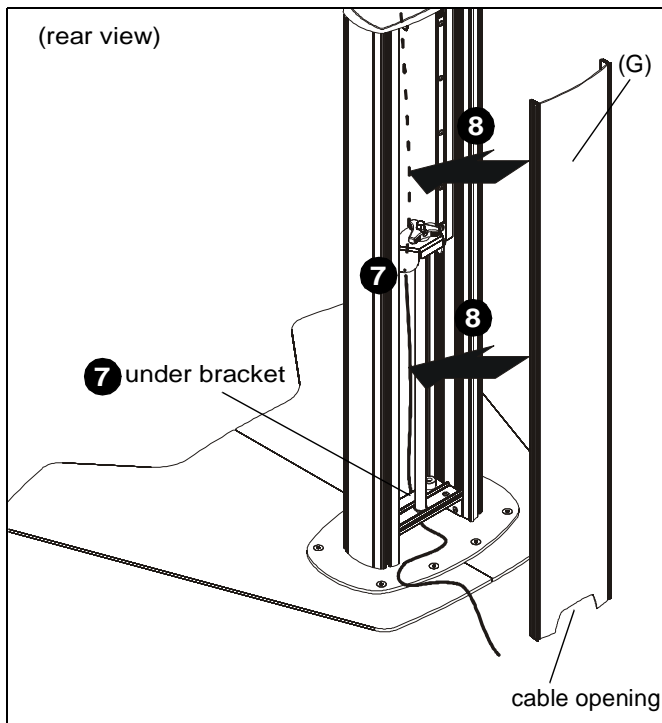


Figure 10

Adjustments

Height Adjustment

- Remove cable cover (G) to expose height adjustment knob.
- Turn height adjustment knob clockwise to raise display. (See Figure 11)
- Turn height adjustment knob counterclockwise to lower display. (See Figure 12)



WARNING: Do not attempt to raise or lower the adjustment carriage beyond its upper or lower limit. High and low points are shown in Figures 11 and 12.

NOTE: A 1/2" socket wrench may also be used to adjust height by turning bolt just above height adjustment knob.

- Reinstall cable cover (G) to column assembly.

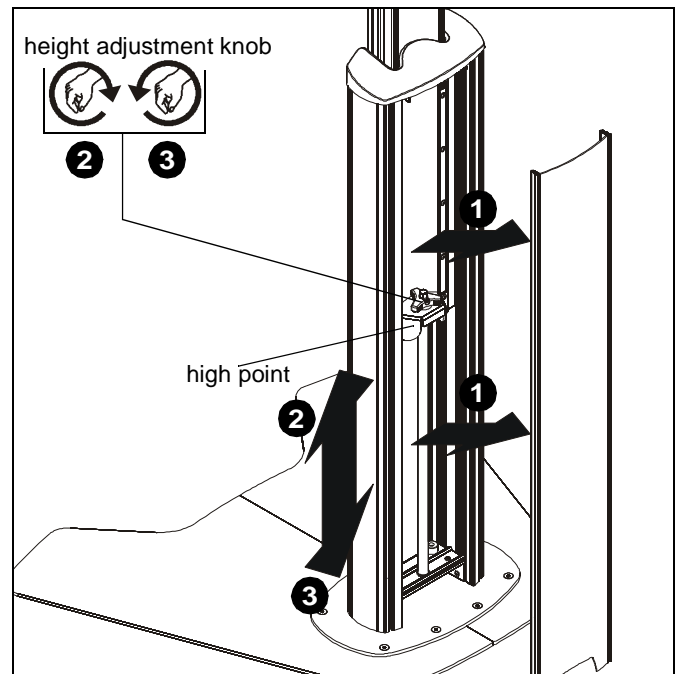


Figure 11

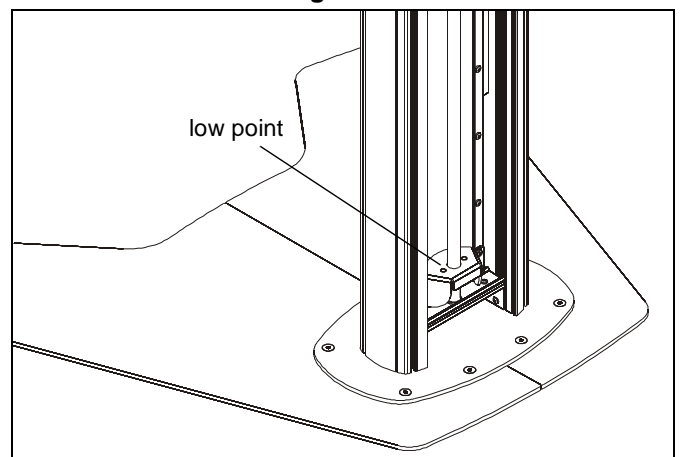


Figure 12

Pitch Adjustment

5. Turn pitch adjustment knob clockwise to tilt display forward. (See Figure 13)
6. Turn pitch adjustment knob counterclockwise to tilt display back. (See Figure 13)

Roll Adjustment

7. Turn roll adjustment knob clockwise to adjust roll to the left. (See Figure 13)
8. Turn roll adjustment knob counterclockwise to adjust roll to the right. (See Figure 13)

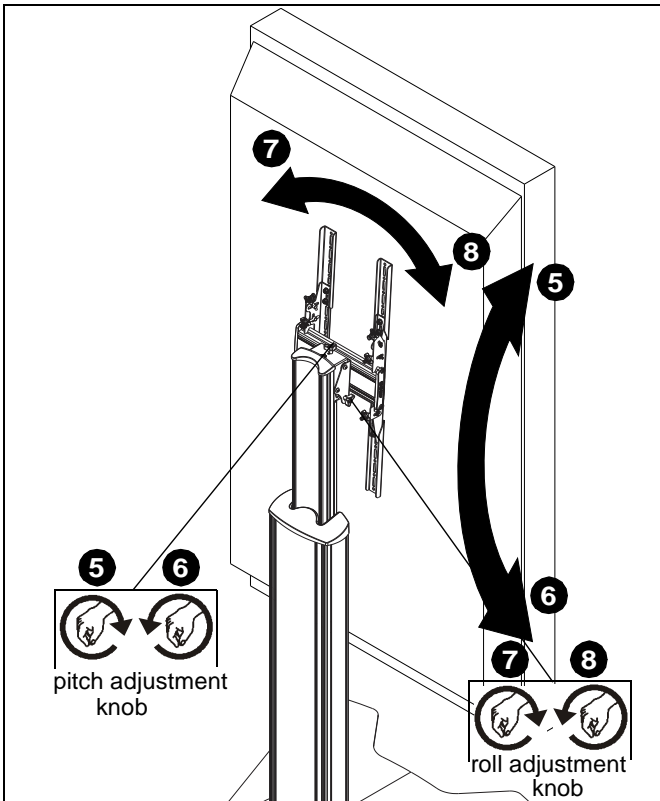


Figure 13

Stand Use and Maintenance



WARNING: Exceeding the weight capacity can result in serious personal injury or damage to equipment! It is the installer's responsibility to make sure the combined weight of all components located between the MFAUBSP up to (and including) the display does not exceed 125 lbs (56.7 kg).



WARNING: RISK OF SERIOUS INJURY OR DEATH!

Placing a remote control or toy on the stand may encourage a child to climb onto the stand causing the stand to tip over onto the child. DO NOT place remote controls or toys on the stand!



WARNING: RISK OF SERIOUS INJURY OR DEATH!

Relocating audio and/or video equipment to the stand may result in the stand collapsing or overturning onto a child. DO NOT relocate audio and/or video equipment to the stand!



WARNING: STAND CAN TIP OVER RESULTING IN RISK OF INJURY. Never move the stand when displays are attached. Never push against the stand.

NOTE: The MFAUBSP stand has no user serviceable parts.

1. Always place stand on a level surface.



Our Mounts. **Your Vision.**

Chief, a products division of
Milestone AV Technologies

8800-002995 Rev01
©2017 Milestone AV Technologies
www.milestone.com
10/17

USA/International	A 6436 City West Parkway, Eden Prairie, MN 55344 P 800.582.6480 / 952.225.6000 F 877.894.6918 / 952.894.6918
Europe	A Franklinstraat 14, 6003 DK Weert, Netherlands P +31 (0) 495 580 852 F +31 (0) 495 580 845
Asia Pacific	A Office No. 918 on 9/F, Shatin Galleria 18-24 Shan Mei Street Fotan, Shatin, Hong Kong P 852 2145 4099 F 852 2145 4477

