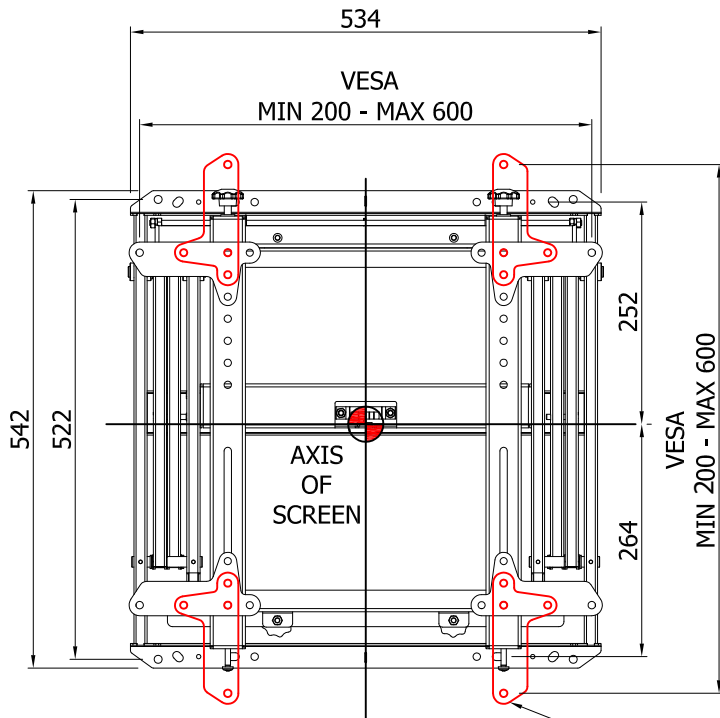


# 5790: SLIM PANTOGRAPH BRACKET DIMENSIONS

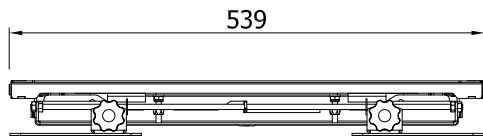
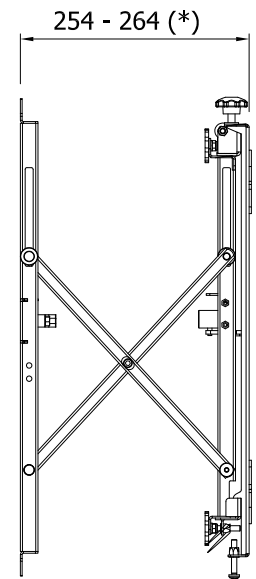
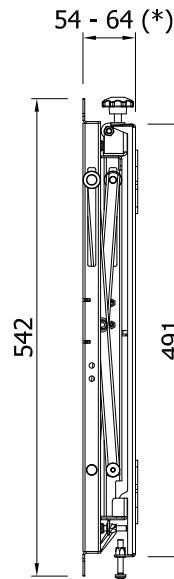
Rev. : 01 Date : 23/01/2020

Code : 5790



CLOSED

OPENING

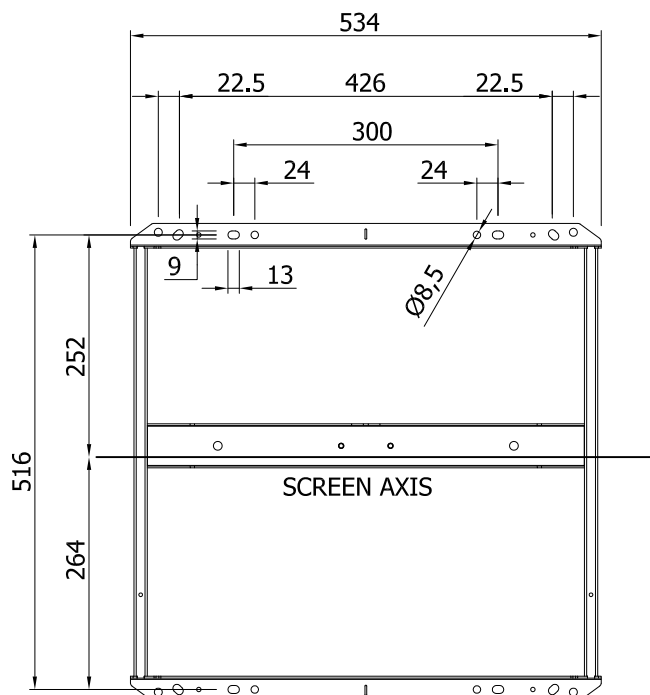


WINGS -  
AD12  
ADAPTERS  
VESA 600

**WEIGHT MAX LOAD 35 Kg**

(\* ) **3 mm** THICKNESS MORE WITH WINGS  
AD12

## WALL FIXING POINTS



## PERSPECTIVES

