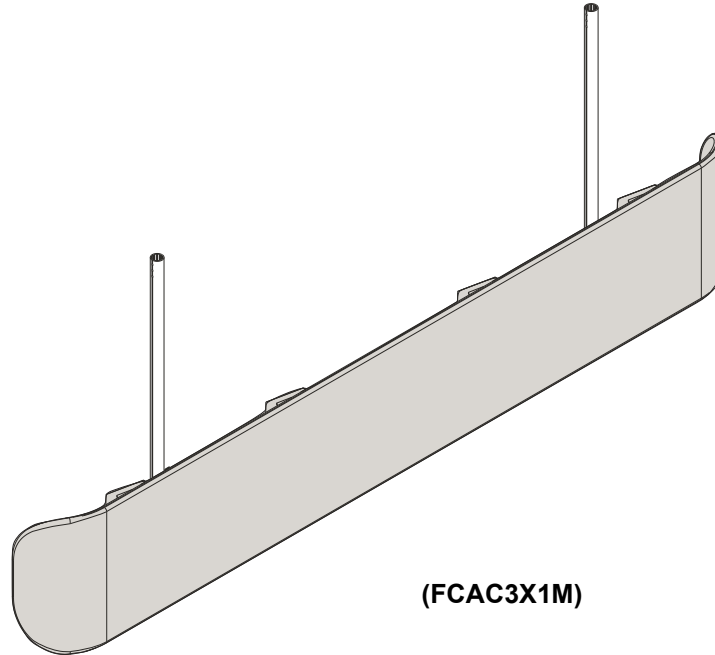


---

# INSTALLATION INSTRUCTIONS

---



---

## Fusion Back Covers

---

---

 **CHIEF**<sup>®</sup>

A brand of  **legrand**<sup>®</sup>

**FCAC SERIES**

---

## DISCLAIMER

Legrand | AV and its affiliated corporations and subsidiaries (collectively "Legrand | AV"), intend to make this manual accurate and complete. However, Legrand | AV makes no claim that the information contained herein covers all details, conditions or variations, nor does it provide for every possible contingency in connection with the installation or use of this product. The information contained in this document is subject to change without notice or obligation of any kind. Legrand | AV makes no representation of warranty, expressed or implied, regarding the information contained herein. Legrand | AV assumes no responsibility for accuracy, completeness or sufficiency of the information contained in this document.

## DEFINITIONS

**MOUNTING SYSTEM:** A MOUNTING SYSTEM is the primary Chief product to which an accessory and/or component is attached.

**ACCESSORY:** AN ACCESSORY is the secondary Chief product which is attached to a primary Chief product, and may have a component attached or setting on it.

**COMPONENT:** A COMPONENT is an audiovisual item designed to be attached or resting on an accessory or mounting system such as a video camera, CPU, screen, display, projector, etc.



**WARNING:** A WARNING alerts you to the possibility of serious injury or death if you do not follow the instructions.



**CAUTION:** A CAUTION alerts you to the possibility of damage or destruction of equipment if you do not follow the corresponding instructions.



## IMPORTANT SAFETY INSTRUCTIONS



**WARNING:** Failure to read, thoroughly understand, and follow all instructions can result in serious personal injury, damage to equipment, or voiding of factory warranty! It is the installer's responsibility to make sure all accessories are properly assembled and installed using the instructions provided.



**WARNING:** Failure to provide adequate structural strength for this accessory can result in serious personal injury or damage to equipment! It is the installer's responsibility to make sure the structure to which this accessory is attached can support five times the combined weight of all equipment. Reinforce the structure as required before installing the accessory.



**WARNING:** Use this accessory only for its intended use as described in these instructions. Do not use attachments not recommended by the manufacturer.



**WARNING:** Never operate this accessory if it is damaged. Return the accessory to a service center for examination and repair.



**WARNING:** Do not use this accessory outdoors.

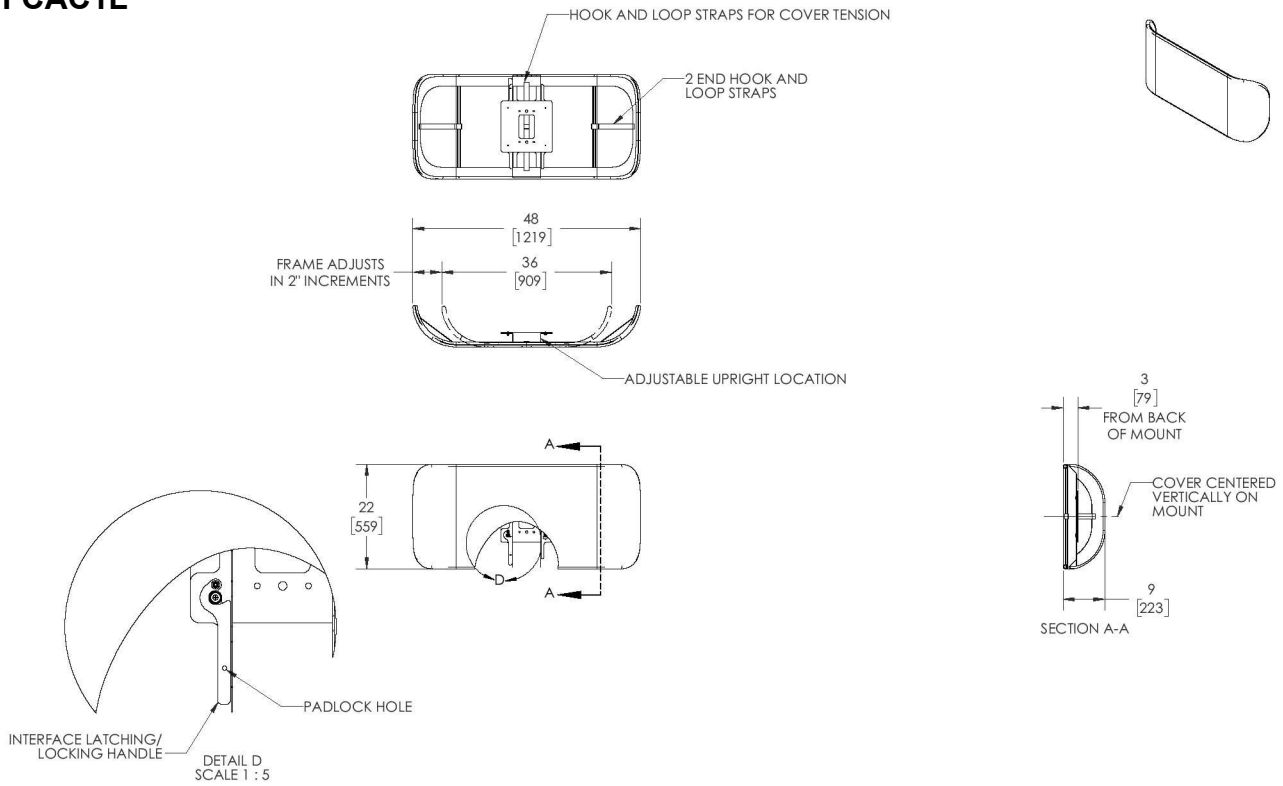


**WARNING:** RISK OF INJURY TO PERSONS! Do not use this accessory to support video equipment such as televisions or computer monitors.

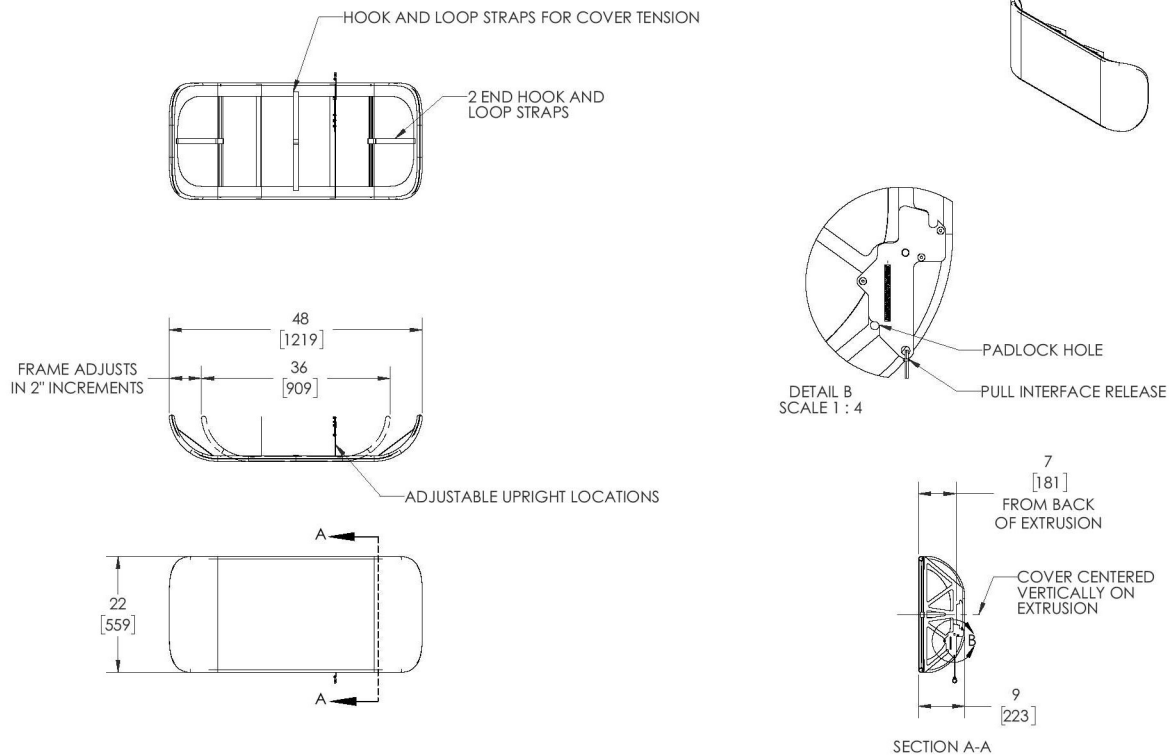
**--SAVE THESE INSTRUCTIONS--**

**DIMENSIONS**

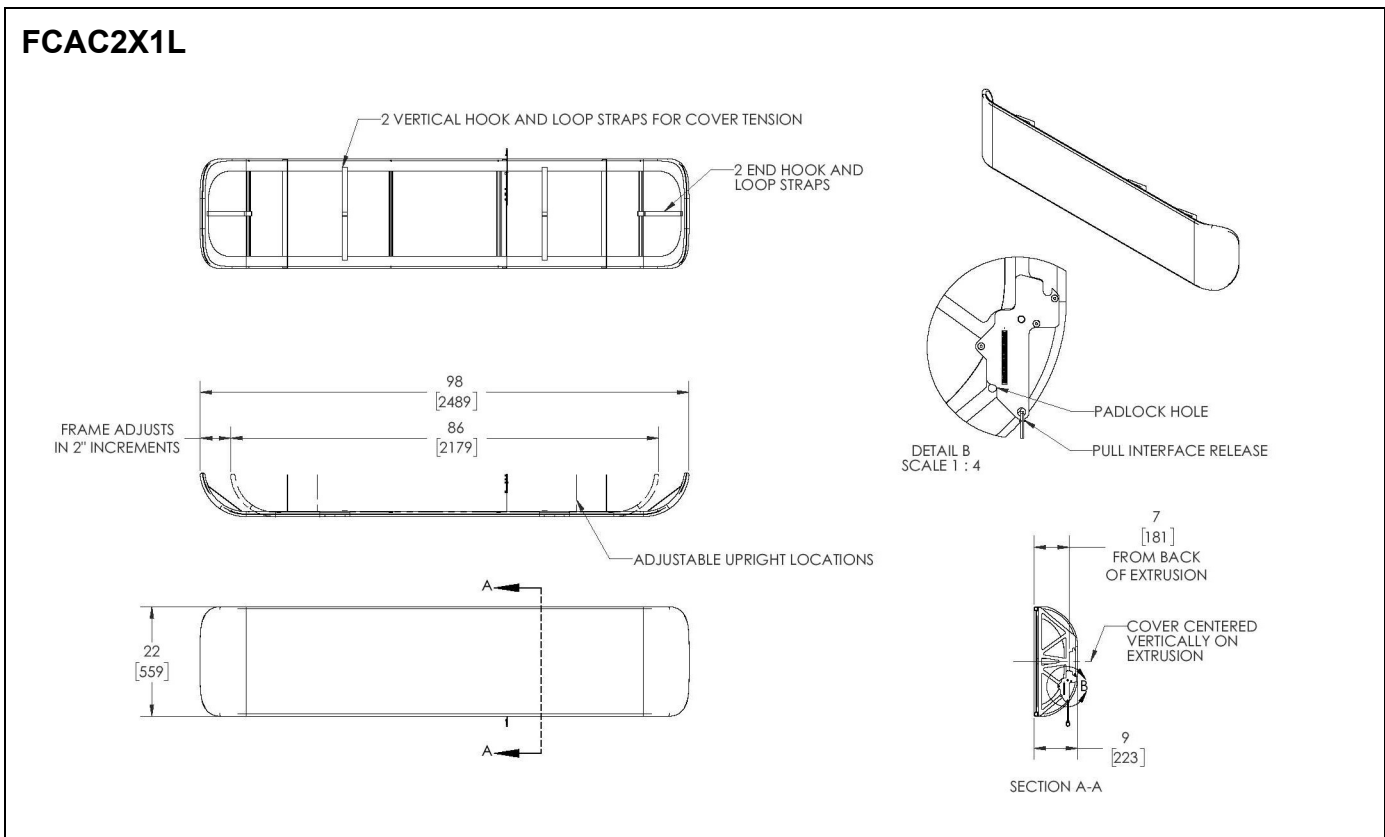
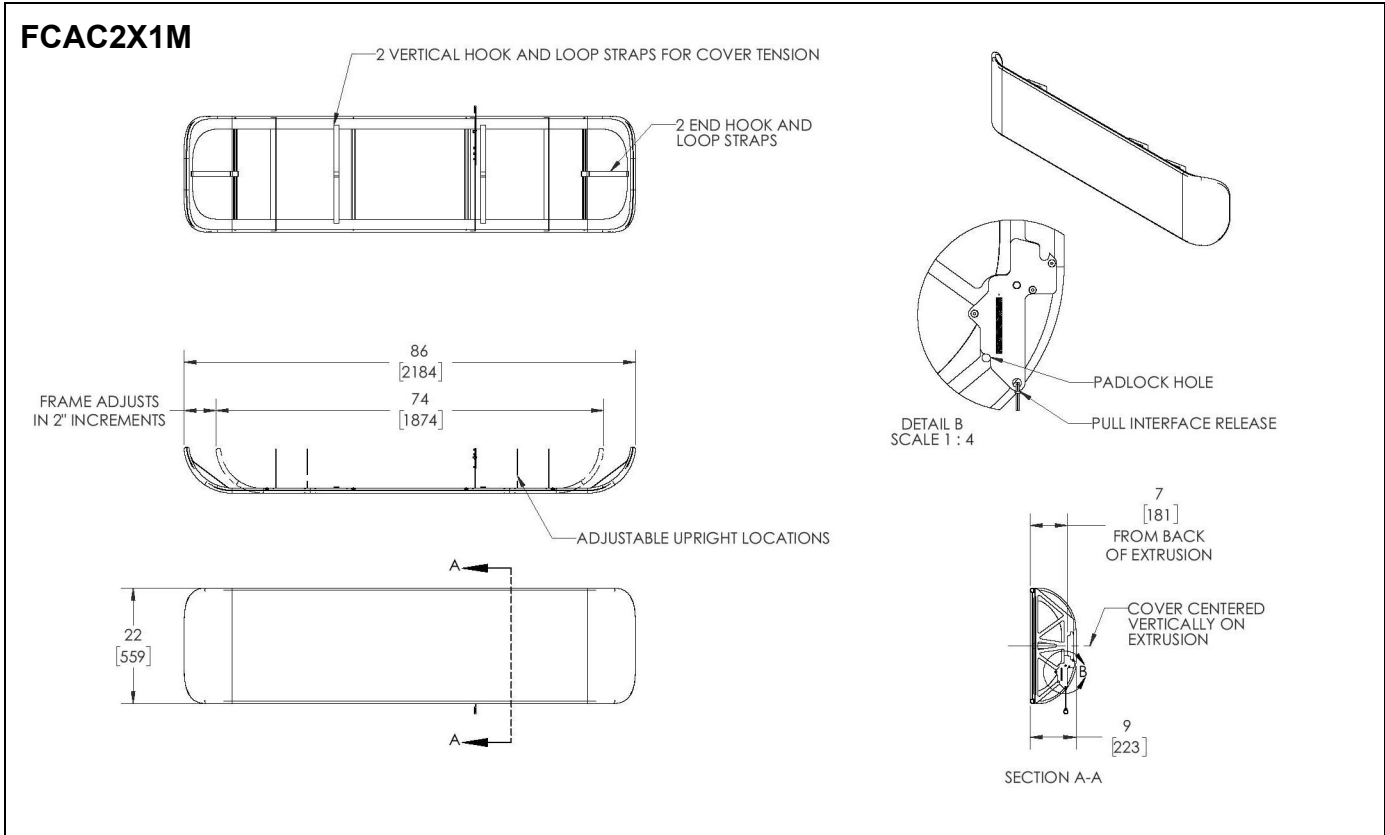
**FCAC1L**



**FCAC1X**

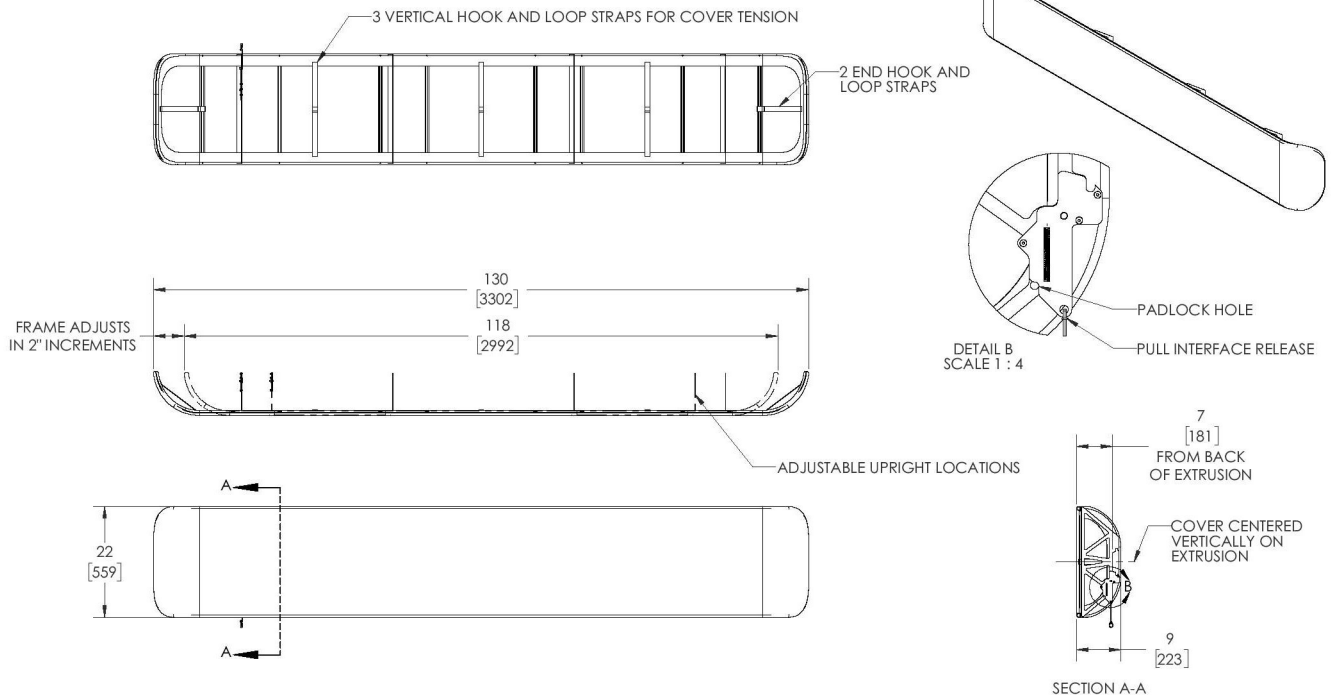


**DIMENSIONS (CONTINUED)**

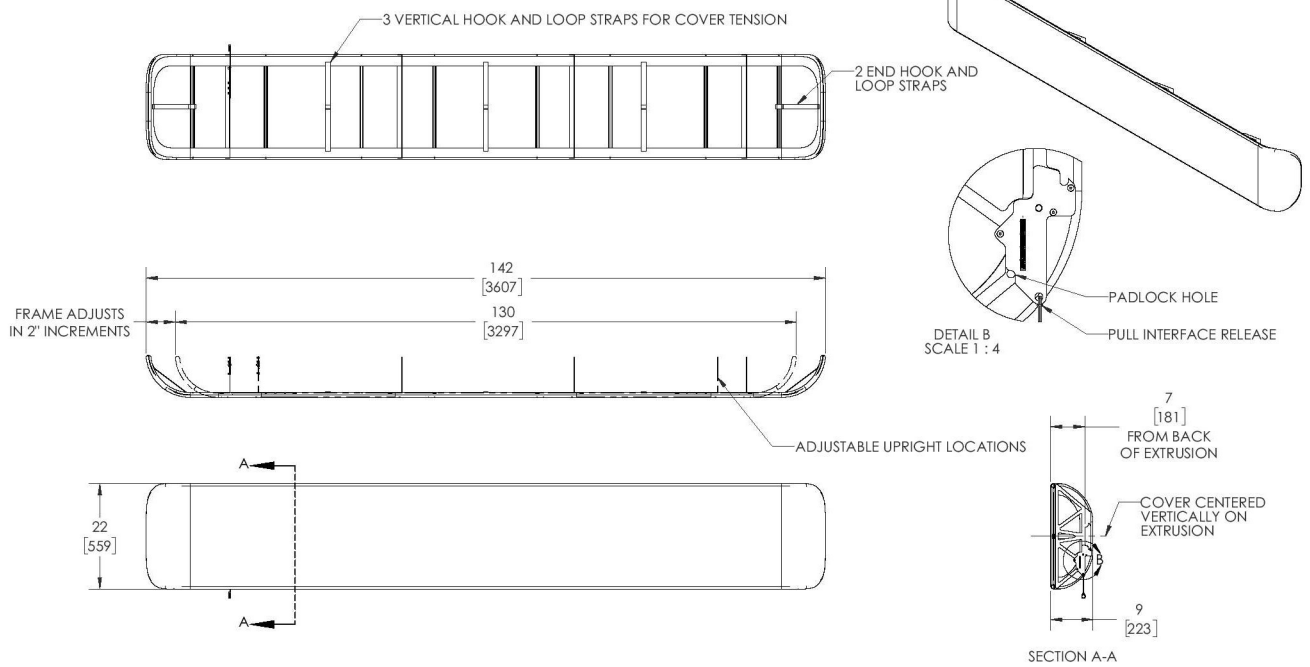


**DIMENSIONS (CONTINUED)**

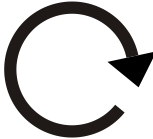

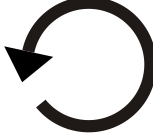


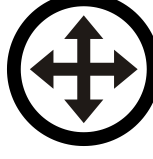






**FCAC3X1M**



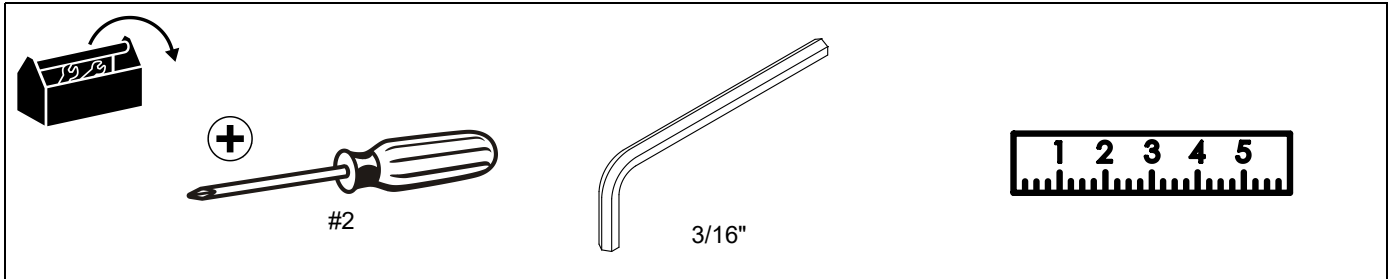
**FCAC3X1L**



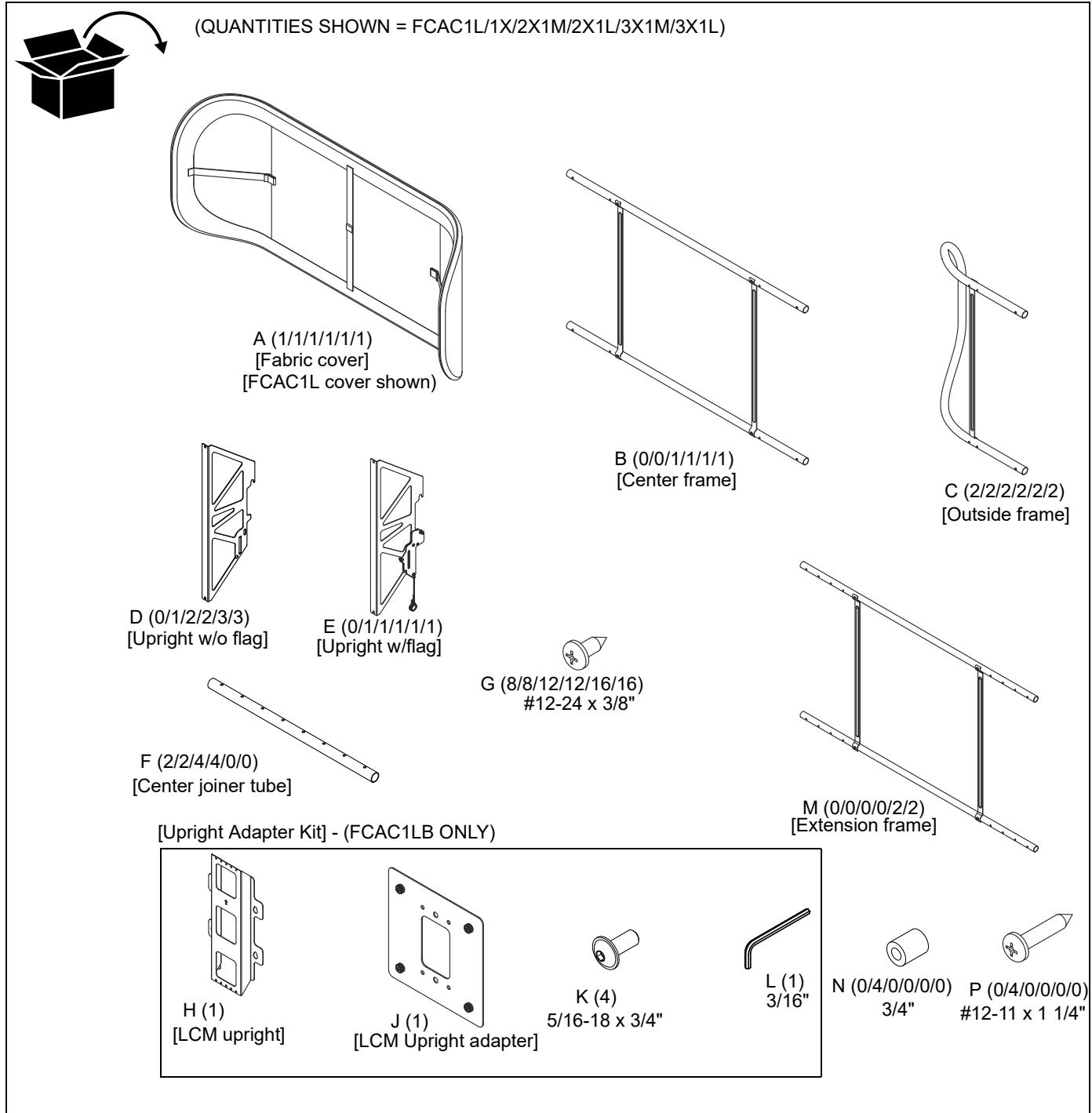
## LEGEND

	<b>Tighten Fastener</b> Apretar elemento de fijación Befestigungsteil festziehen Apertar fixador Serrare il fissaggio Bevestiging vastdraaien Serrez les fixations		<b>Pencil Mark</b> Marcar con lápiz Stiftmarkierung Marcar com lápis Segno a matita Potloodmerkteken Marquage au crayon
	<b>Loosen Fastener</b> Aflojar elemento de fijación Befestigungsteil lösen Desapertar fixador Allentare il fissaggio Bevestiging losdraaien Desserrez les fixations		<b>Drill Hole</b> Perforar Bohrloch Fazer furo Praticare un foro Gat boren Percez un trou
	<b>Phillips Screwdriver</b> Destornillador Phillips Kreuzschlitzschraubendreher Chave de fendas Phillips Cacciavite a stella Kruiskopschroevendraaier Tournevis à pointe cruciforme		<b>Adjust</b> Ajustar Einstellen Ajustar Regolare Afstellen Ajuster
	<b>Open-Ended Wrench</b> Llave de boca Gabelschlüssel Chave de bocas Chiave a punte aperte Steeksleutel Clé à fourche		<b>Remove</b> Quitar Entfernen Remover Rimuovere Verwijderen Retirez
	<b>By Hand</b> A mano Von Hand Com a mão A mano Met de hand À la main		<b>Optional</b> Opcional Optional Opcional Opzionale Optie En option
	<b>Hex-Head Wrench</b> Llave de cabeza hexagonal Sechskantschlüssel Chave de cabeça sextavada Chiave esagonale Zeskantsleutel Clé à tête hexagonale		<b>Security Wrench</b> Llave de seguridad Sicherheitsschlüssel Chave de segurança Chiave di sicurezza Veiligheidssleutel Clé de sécurité

**TOOLS REQUIRED FOR INSTALLATION**



**PARTS**



### Assembly And Installation

**IMPORTANT ! :** The FCAC Series frames can be assembled at a variety of widths in 2" increments using any of the holes available in the center joiner tubes (F) depending on display size and user preference. Holes shown being used in the graphics throughout these instructions are just as examples.

#### Frame Assembly

##### FCAC1L

1. Slide together two outside frames (C) and two center joiner tubes (F). (See Figure 1)

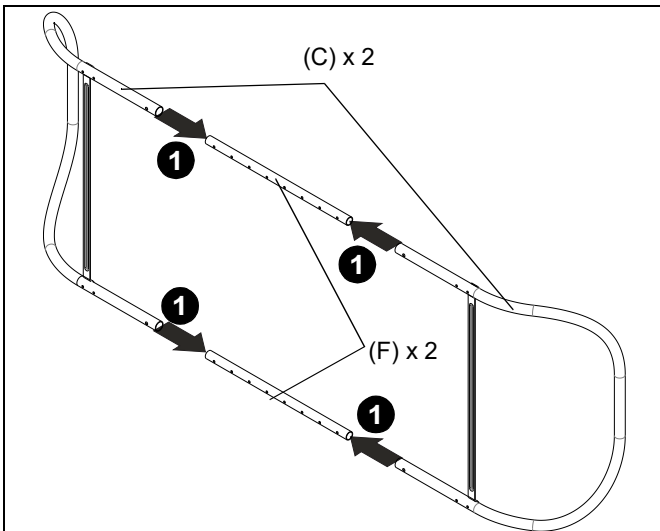


Figure 1

2. Use four #12-24 x 3/8" Phillips tapping screws (G) to secure outside frames (C) to center joiner tubes (F). (See Figure 2)

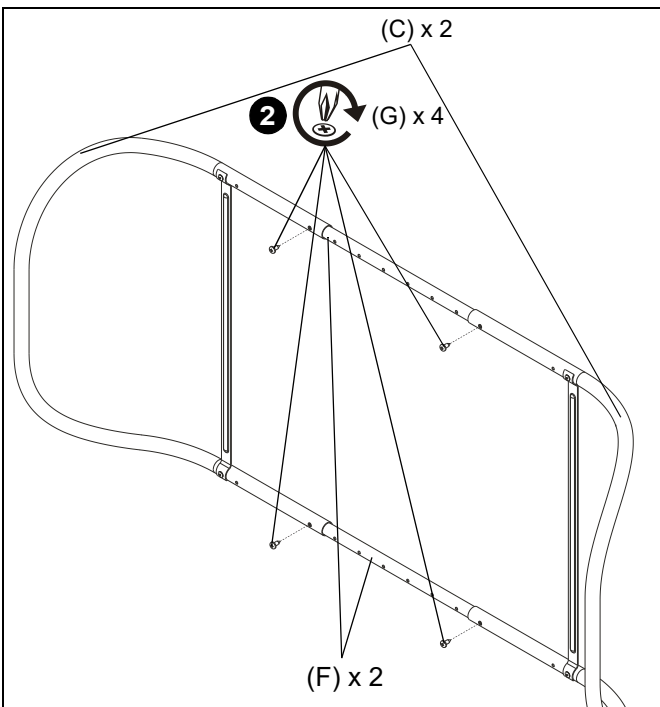


Figure 2

3. Use four #12-24 x 3/8" Phillips tapping screws (G) to secure LCM upright (H) to two center joiner tubes (F). (See Figure 3)

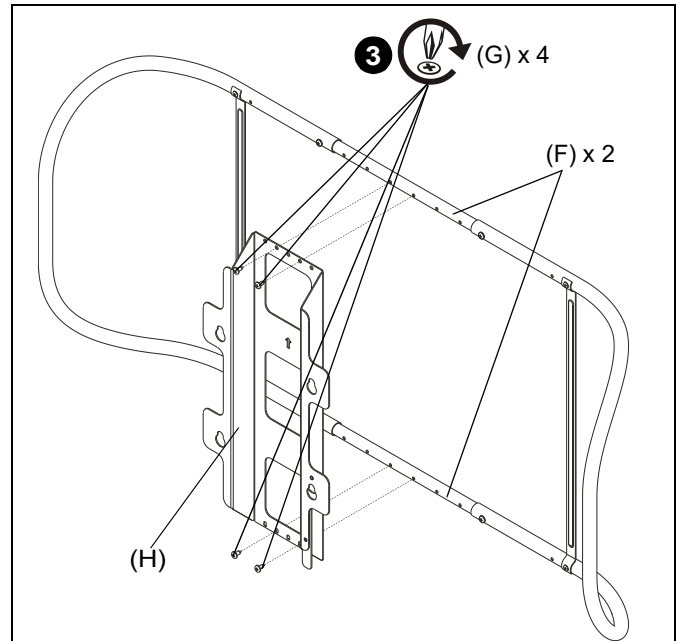


Figure 3

4. Proceed to "Fabric Cover Installation" Section.

##### FCAC1X

1. Slide together two outside frames (C) and two center joiner tubes (F). (See Figure 1)
2. Use four #12-24 x 3/8" Phillips tapping screws (G) to secure two uprights (D and E) to two outside frames (C). (See Figure 4) If installing to cart or stand, use #12-11 x 1 1/4" Phillips tapping screws (P) instead and four 3/4" spacers (N) to create more space for back of cart/stand. (See Figure 5)

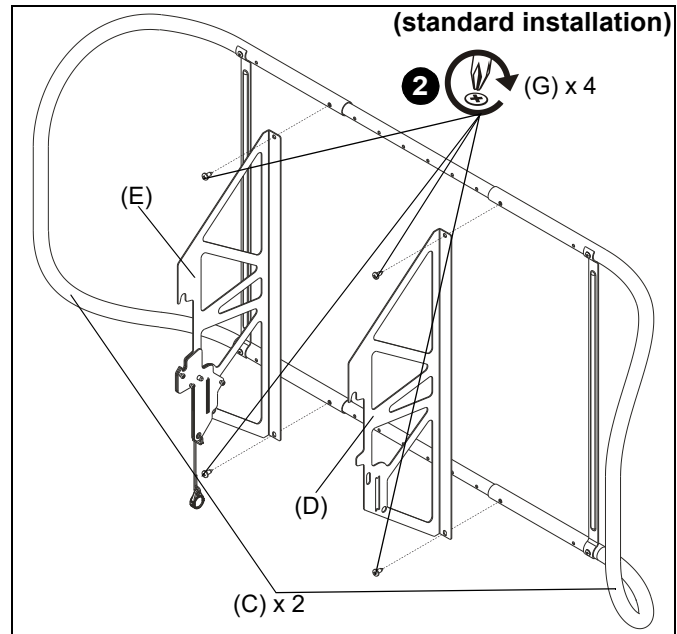


Figure 4



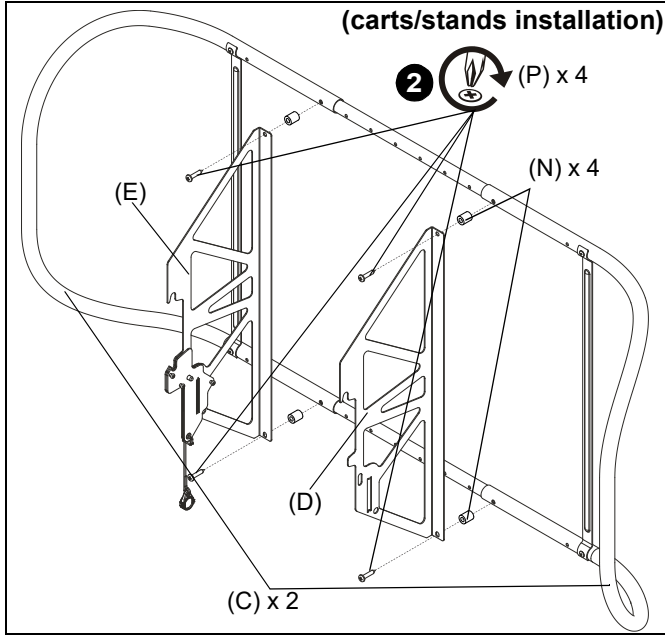


Figure 5

3. Proceed to "Fabric Cover Installation" Section.

**FCAC2X1M/FCAC2X1L**

1. Slide together two outside frames (C), four center joiner tubes (F) and one center frame (B). (See Figure 6)

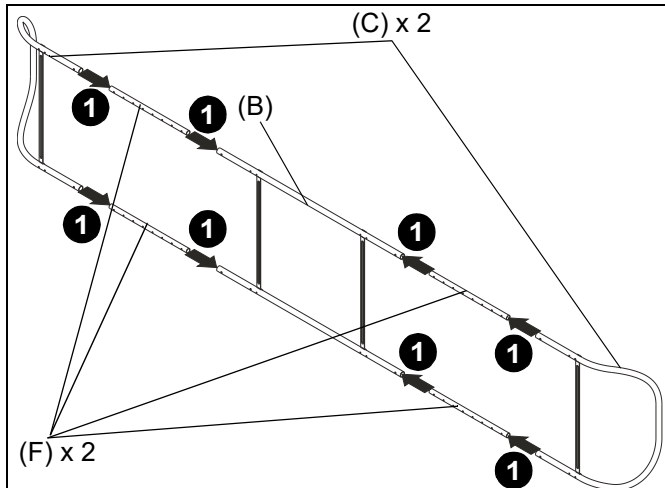


Figure 6

**NOTE:** If there are any possible obstructions on back of display that could interfere with uprights (D and E) installation, measure where they will occur so uprights can be attached accordingly. Uprights (without flags) (D) may be installed in either Step 2, Step 4 or into any available holes on center joiner tubes (F) depending on obstructions or user preference.

2. Use four #12-24 x 3/8" Phillips tapping screws (G) to secure two uprights (without flags) (D) to outside frames (C). (See Figure 7)

**NOTE:** Example shown (See Figure 7) is to assemble a maximum length frame. Frame can be made shorter and must be shorter for FCAC2X1M.

3. Use two #12-24 x 3/8" Phillips tapping screws (G) to secure upright (with flag) (E) to center frame (B). (See Figure 7)

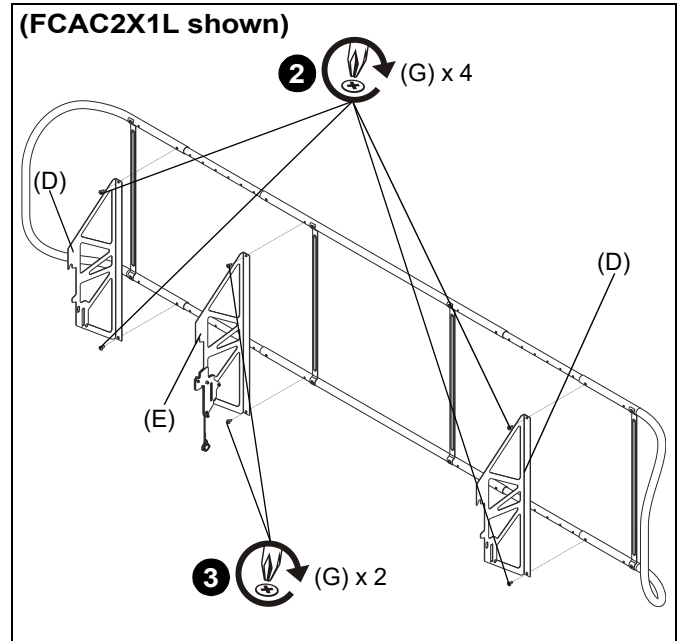


Figure 7

4. Use four #12-24 x 3/8" Phillips tapping screws (G) to secure four center joiner tubes (F) to center frame (B). (See Figure 8)

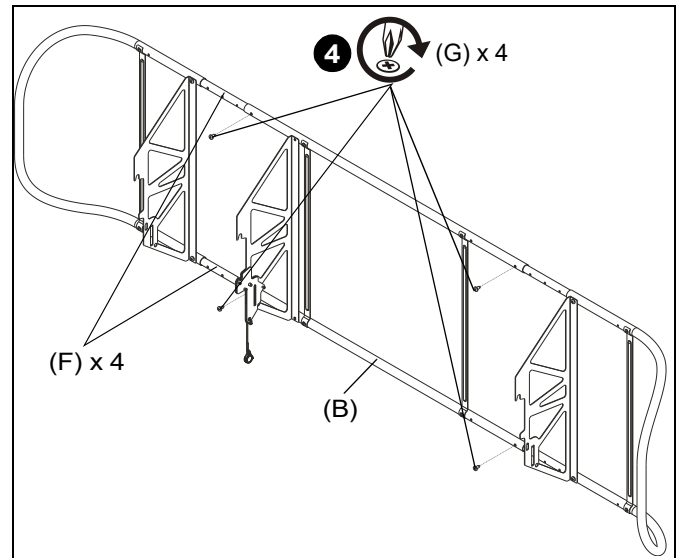
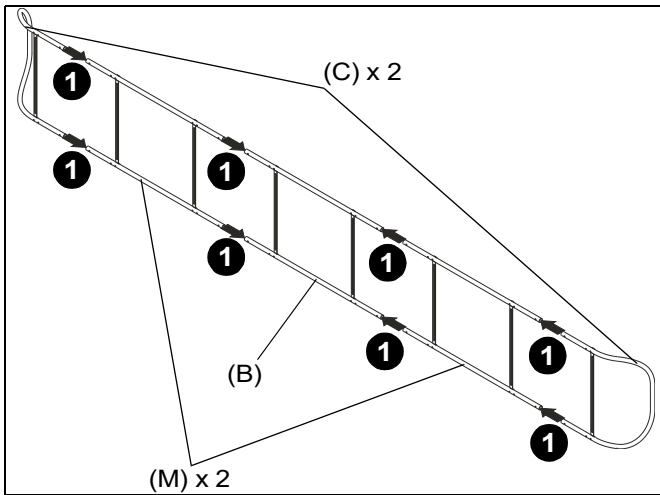


Figure 8

5. Proceed to "Cover Installation" Section.

**FCAC3X1M/FCAC3X1L**

1. Slide together two outside frames (C), two extension frames (M) and center frame (B). (See Figure 9)



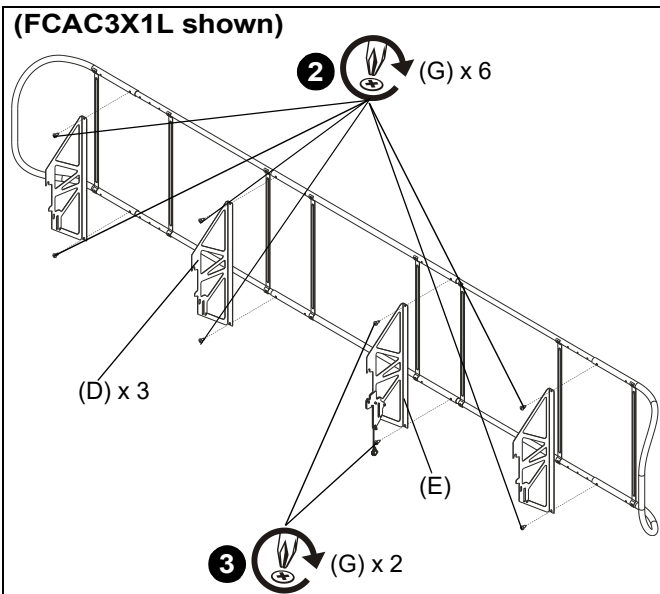
**Figure 9**

**NOTE:** If there are any possible obstructions on back of display that could interfere with uprights (D and E) installation, measure where they will occur so uprights can be attached accordingly. Uprights without flags (D) can be installed in Step 2 as shown or separately in any available holes in extension frames (M).

2. Use six #12-24 x 3/8" Phillips tapping screws (G) to secure three uprights (without flags) (D) to outside frames (C), extension frames (M) and center frame (B). (See Figure 10)

**NOTE:** Example shown (See Figure 10) is to assemble a maximum length frame. Frame can be made shorter and must be shorter for FCAC3X1M.

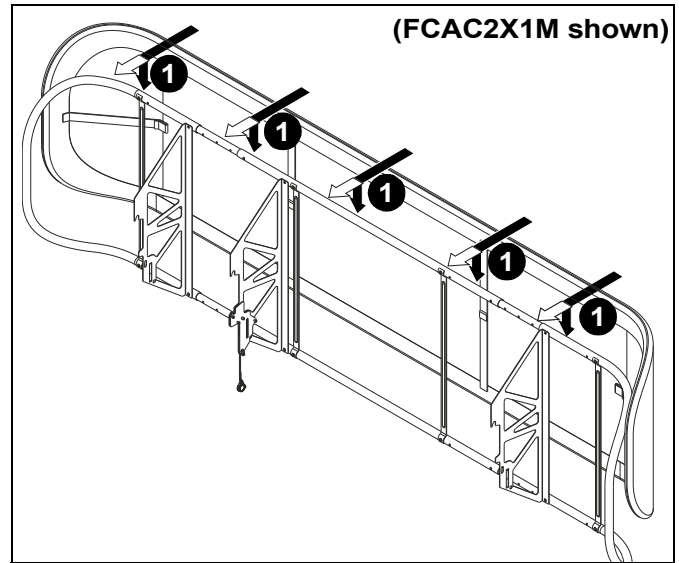
3. Use two #12-24 x 3/8" Phillips tapping screws (G) to secure upright (with flag) (E) to center frame (B). (See Figure 10)



**Figure 10**

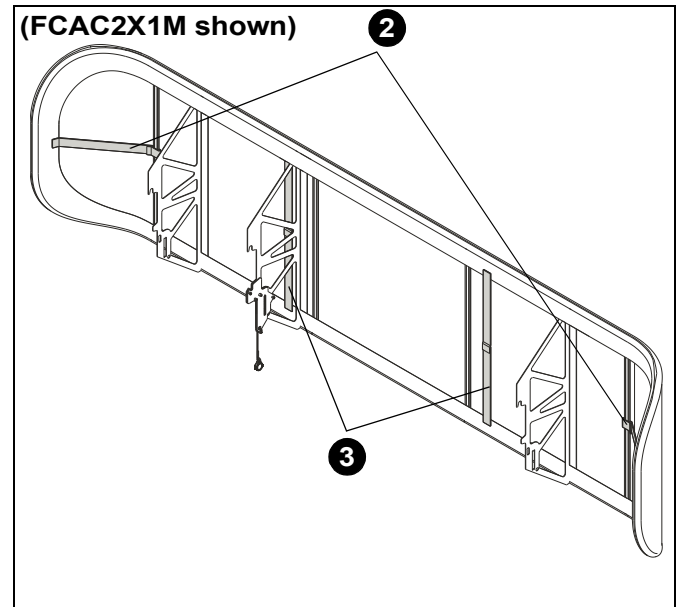
**Fabric Cover Installation**

1. Wrap fabric cover (A) over assembled frame. (See Figure 11)



**Figure 11**

2. Wrap outside straps around outside vertical rails on frame. (See Figure 12)
3. Fasten vertical straps within cover to ensure a snug fit over frame. (See Figure 12)

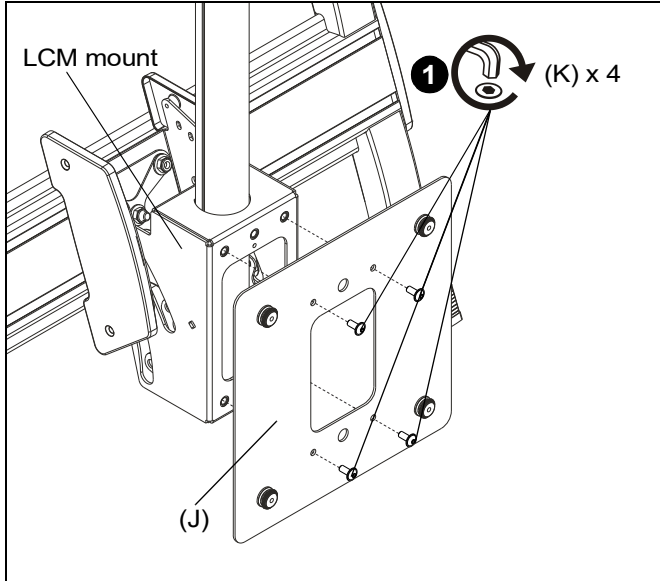


**Figure 12**

**Installation to Display Mount**

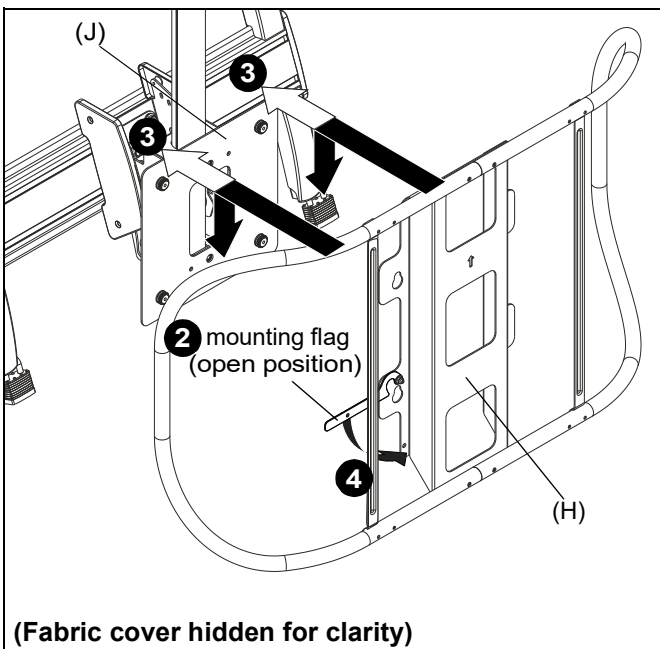
**FCAC1L**

1. Use four 5/16-18 x 3/4" button head cap screws (K) to secure LCM upright adapter (J) to back of LCM mount. (See Figure 13)



**Figure 13**

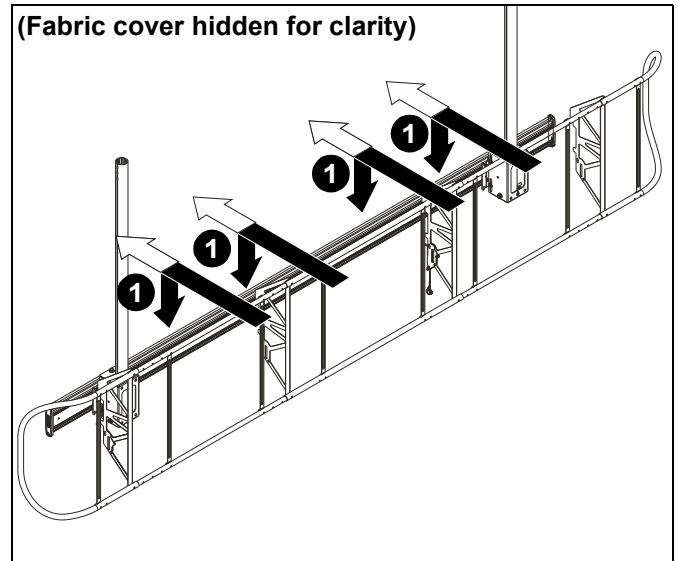
2. Make sure mounting flag on LCM upright (H) is in the "open" position. (See Figure 14)
3. Hang LCM upright (H) onto mounting buttons on back of LCM upright adapter (J). (See Figure 14)
4. Move mounting flag on LCM upright to the "closed" position. (See Figure 14)



**Figure 14**

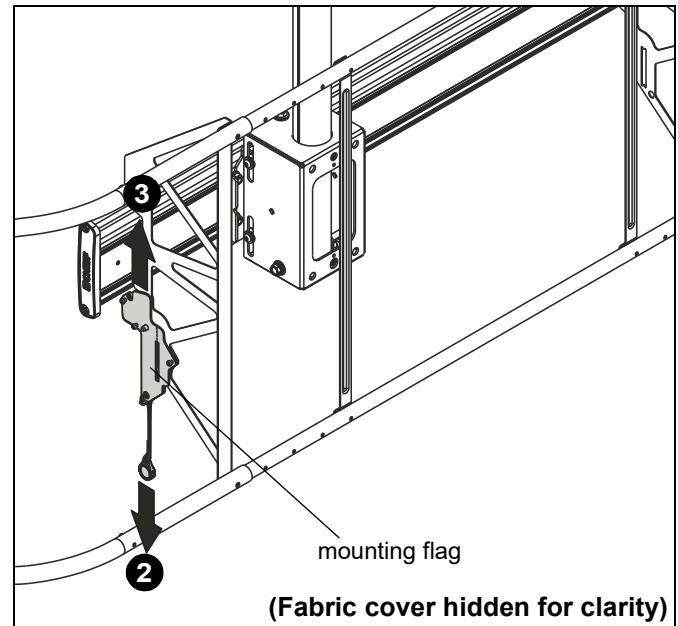
**FCAC1X/FCAC2X1M/FCAC2X1L/  
FCAC3X1M/FCAC3X1L**

1. Lift assembled cover onto top edge of mounting rail. (See Figure 15)



**Figure 15**

2. Pull down mounting flag and pull under lower edge of mounting rail. (See Figure 16)
3. Release mounting flag to secure cover to rail. (See Figure 16)



**Figure 16**



A brand of  **legrand**

8800-003061 Rev01  
©2019 Legrand | AV  
[www.legrandav.com](http://www.legrandav.com)  
01/19

<b>USA/International</b>	<b>A</b> 6436 City West Parkway, Eden Prairie, MN 55344 <b>P</b> 800.582.6480 / 952.225.6000 <b>F</b> 877.894.6918 / 952.894.6918
<b>Europe</b>	<b>A</b> Franklinstraat 14, 6003 DK Weert, Netherlands <b>P</b> +31 (0) 495 580 852 <b>F</b> +31 (0) 495 580 845
<b>Asia Pacific</b>	<b>A</b> Office No. 918 on 9/F, Shatin Galleria 18-24 Shan Mei Street Fotan, Shatin, Hong Kong <b>P</b> 852 2145 4099 <b>F</b> 852 2145 4477

