

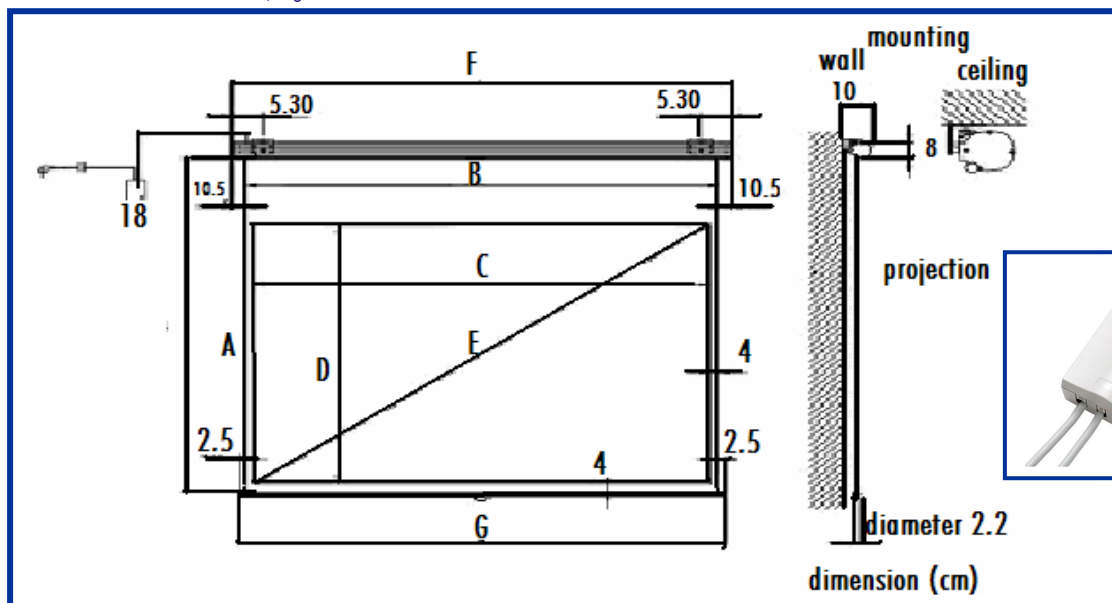
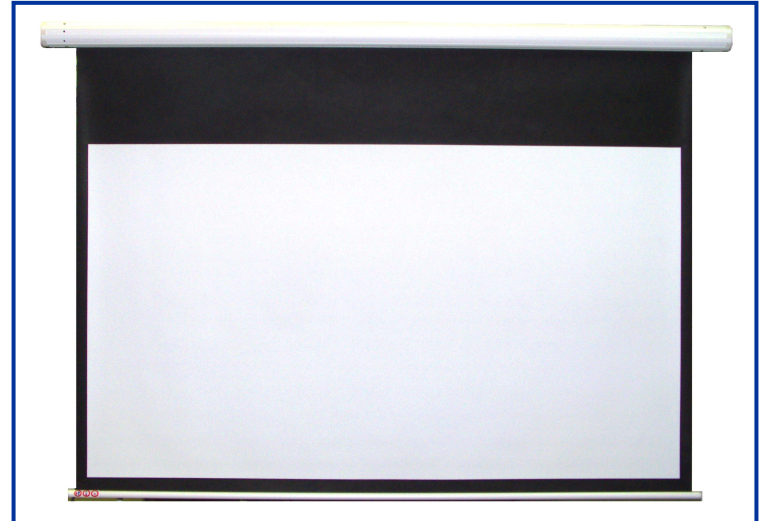


CFX01 CINEFLEX

The stationary home cinema projection screen with infrared remote control for home entertainment in an XXL format.



- The housing is made of high-quality aluminium with a white coat of varnish
- Angle brackets is thus variable and may be adjusted to the structural conditions in the room
- Integrated groove on the back of the aluminium case: The position of the angle brackets is thus variable and may be adjusted to the structural conditions in the room
- Plug-and-play plug-in connection: current supply through mains plug, cable exit on the left side
- The screen is rolled up and rolled out through a geared motor of low noise
- Infrared remote control with external receiver
- Screen surfaces in a 4:3 format with black border of 4 cm on all four sides
- Screen surfaces in a 16:9 format with a 30 cm black drop at the top. Black border of 4 cm at the bottom, right and left side



Dimensions	References	A	B	C	D	E	F	G	Net weight	Shipping weight
135 X 180 cm	CFX01B1135180	137	180	172	129	215	201	185	7,4 kg	9,3 kg
150 X 200 cm	CFC01B1150200	152	200	192	144	240	221	205	8,1 kg	10,2 kg
180 X 240 cm	CFX01B1180240	182	240	232	174	290	261	245	9,6 kg	12,0 kg
101 X 180 cm	CFX01B1101180	131	180	172	97	197	201	185	7,4 kg	9,3 kg
112 X 200 cm	CFX01B1112200	142	200	192	108	220	221	205	8,1 kg	10,2 kg
135 X 240 cm	CFX01B1135240	165	240	232	131	266	261	245	9,6 kg	12,0 kg