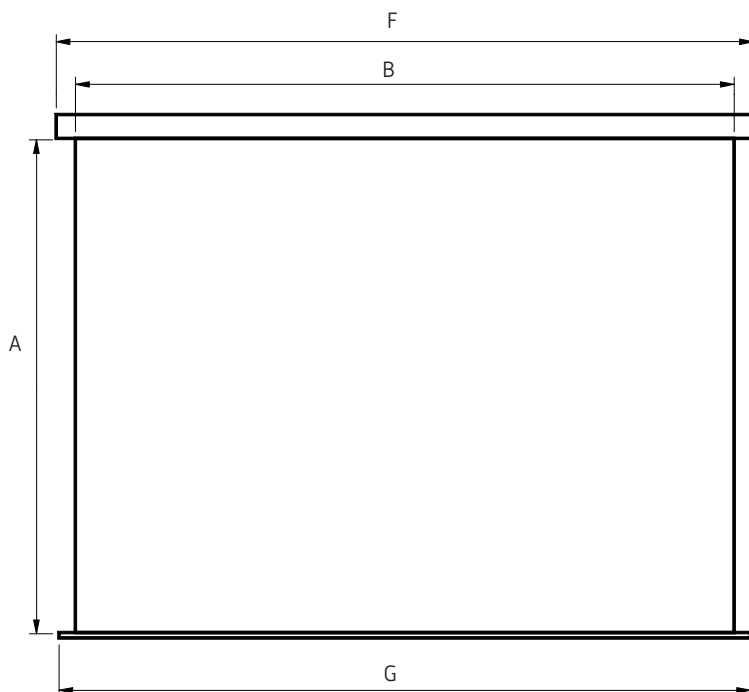


Front view



- A Image height
- B Image base
- F Casing length
- G Weighing bar length



Very functional screen, ultra compact and simple to recess with its small aluminium case with white epoxy finish.

Technical data

Reference	A cm	B cm	F cm	G cm	Wattage W
4:3 format					
SQ1B1135180	135	180	192,1	191	121
SQ1B1150200	150	200	212,1	211	121
SQ1B1180240	180	240	252,1	251	121
SQ1B1202270	202	270	282,1	281	121
SQ1B1225300	225	300	312,1	311	121
Square format					
SQ1B1150150	150	150	162,1	161	121
SQ1B1180180	180	180	192,1	191	121
SQ1B1200200	200	200	212,1	211	121
SQ1B1240240	240	240	252,1	251	121
SQ1B1300300	300	300	312,1	311	121
16:10 format					
SQ1B1112180	112	180	192,1	191	121
SQ1B1125200	125	200	212,1	211	121
SQ1B1150240	150	240	252,1	251	121
SQ1B1169270	169	270	282,1	281	121
SQ1B1187300	187	300	312,1	311	121



- The triangular weighing bar is perfectly integrated in the case when the screen is rolled up.
- M1 fire resistant projection surface.
- Wall or ceiling mounting.
- Motor on the right.



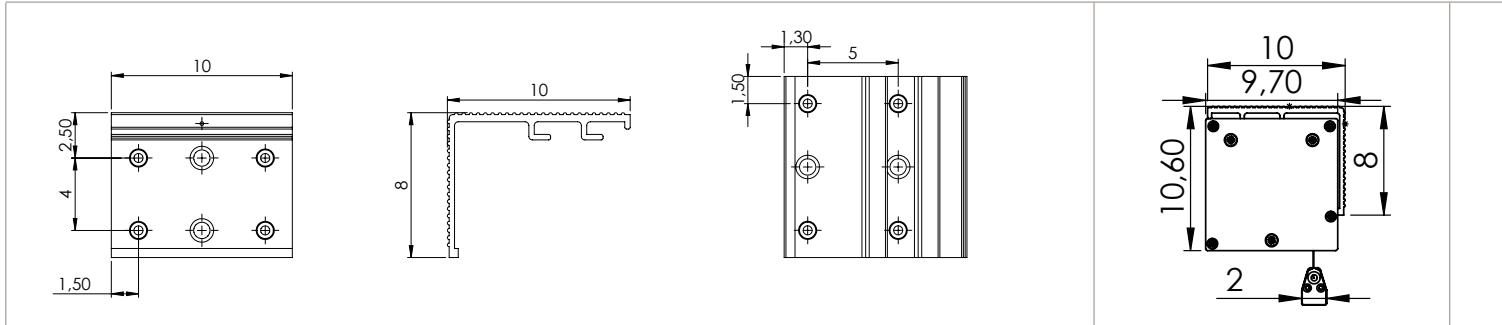
Chemin de Beurepaire - CS 42005
91410 DOURDAN - FRANCE
Tel +33 (0)1 64 59 94 54



Side view

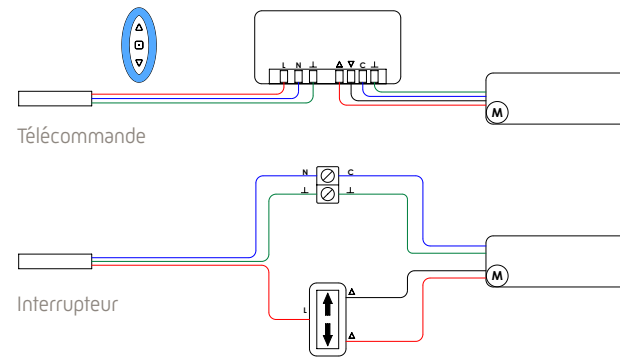
Standard bracket drawing

Carter



Wiring

Wiring diagrams for remote control receiver and wired switch

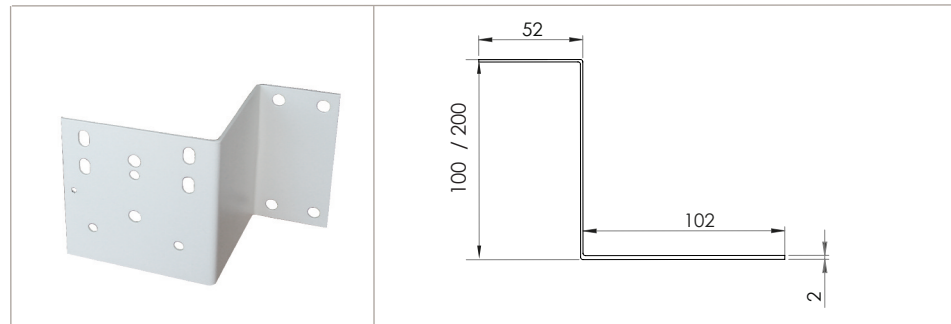


In case of automation control, the power must be cut off between rolling up and unrolling order.

- L Live
- N Neutral
- C Common
- ↑ Up
- ↓ Down
- I Ground

Extending brackets

Extending bracket 10 or 20 cm



EXTENDING BRACKETS
the pair

Reference	Dimension
OPTECAR10BSQ	10 cm
OPTECAR20BSQ	20 cm



Chemin de Beaufrepère - CS 42005
91410 DOURDAN - FRANCE
Tel +33 (0)1 64 59 94 54