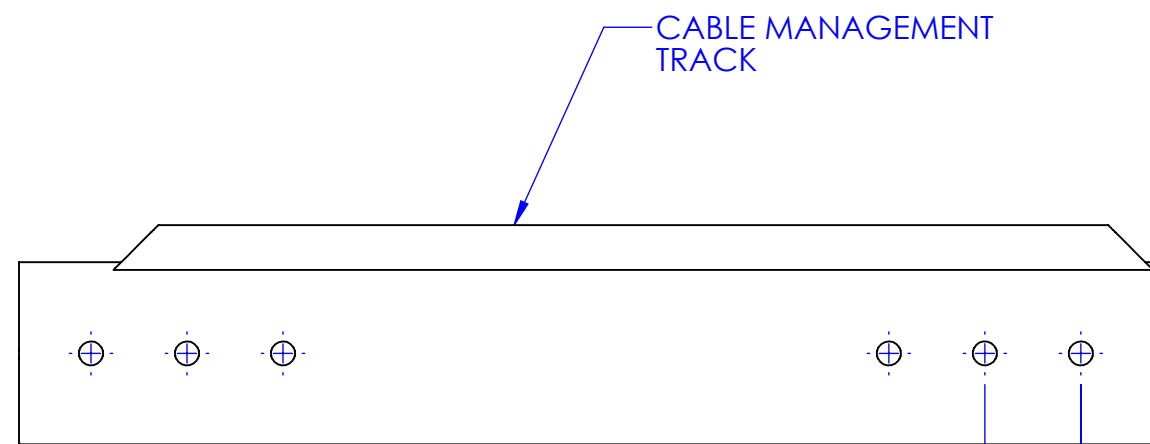


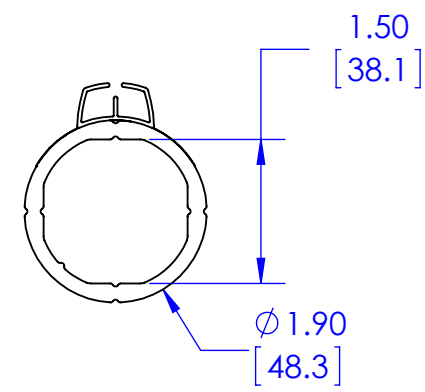
- NOTES:**
1. CPAE STYLE COLUMNS ARE AVAILABLE IN A VARIETY OF LENGTHS
 2. THE PART NUMBER WILL DESIGNATE THE LENGTH
 3. STANDARD COLOR IS BLACK. AN 'S' OR 'W' AT THE END OF THE PART NUMBER SIGNIFIES SILVER OR WHITE, RESPECTIVELY

EXAMPLES: CPAE030 = 30CM LONG, BLACK
 CPAE150W = 150CM LONG, WHITE

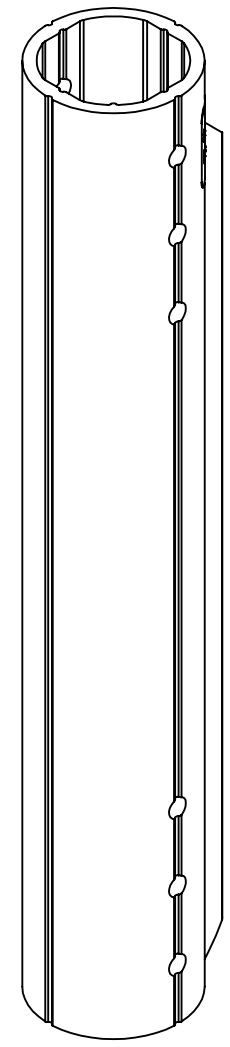


CABLE MANAGEMENT TRACK

0.75 [19.1]
 1.00 [25.4]



1.50 [38.1]
 Ø 1.90 [48.3]



THE INFORMATION AND DESIGNS CONTAINED IN THIS DRAWING ARE CONFIDENTIAL AND THE PROPRIETARY PROPERTY OF MILESTONE AV TECHNOLOGIES NEITHER THIS DESIGN NOR ANY INFORMATION CONTAINED IN THIS DRAWING MAY BE REPRODUCED OR DISCLOSED TO OTHERS WITHOUT THE EXPRESS WRITTEN CONSENT OF MILESTONE AV TECHNOLOGIES.

CAD GENERATED DRAWING, DO NOT MANUALLY UPDATE.			6436 CITY WEST PKWY EDEN PRAIRIE MN, 55344 PHONE: 866-977-3901 FAX: 877-894-6918
DRAWN BY	PMS	3/1/2013	
ENG APPROVAL			DESCRIPTION TECH DRAWING, CPAE EXTENSION COLUMNS
MFG APPROVAL			
QA APPROVAL			
SHEET 1 OF 1			MODEL NO.
SCALE	1:2	SIZE	DWG. NO.
		B	TECH-000313
			REV.
			00