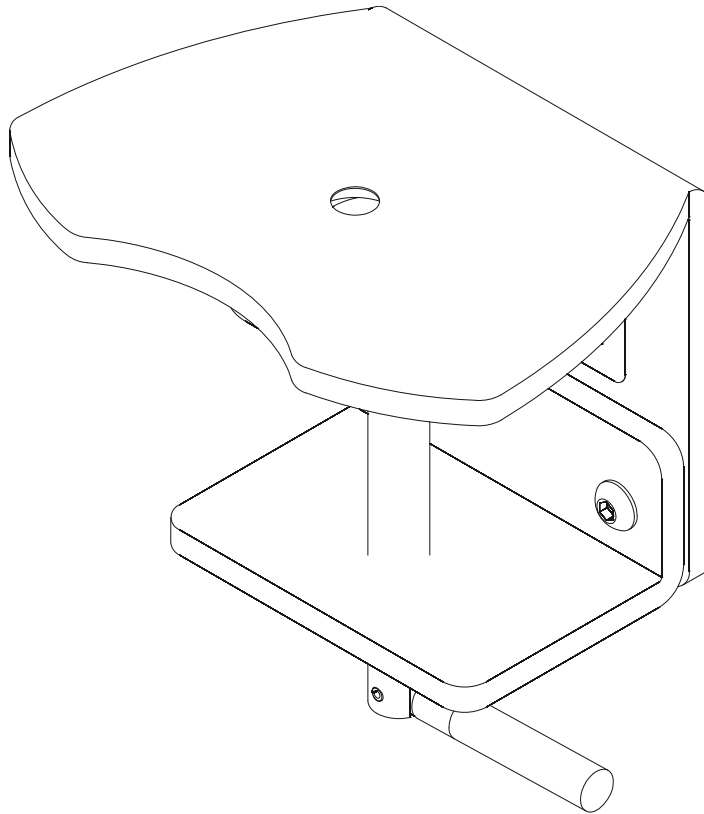


---

# INSTALLATION INSTRUCTIONS

---



---

## DESK CLAMP FOR POLE MOUNTS

---

## DISCLAIMER

Milestone AV Technologies and its affiliated corporations and subsidiaries (collectively "Milestone"), intend to make this manual accurate and complete. However, Milestone makes no claim that the information contained herein covers all details, conditions or variations, nor does it provide for every possible contingency in connection with the installation or use of this product. The information contained in this document is subject to change without notice or obligation of any kind. Milestone makes no representation of warranty, expressed or implied, regarding the information contained herein. Milestone assumes no responsibility for accuracy, completeness or sufficiency of the information contained in this document.

Chief® is a registered trademark of Milestone AV Technologies. All rights reserved.

## ! IMPORTANT WARNINGS AND CAUTIONS!

**! WARNING:** A WARNING alerts you to the possibility of serious injury or death if you do not follow the instructions.

**! CAUTION:** A CAUTION alerts you to the possibility of damage or destruction of equipment if you do not follow the corresponding instructions.

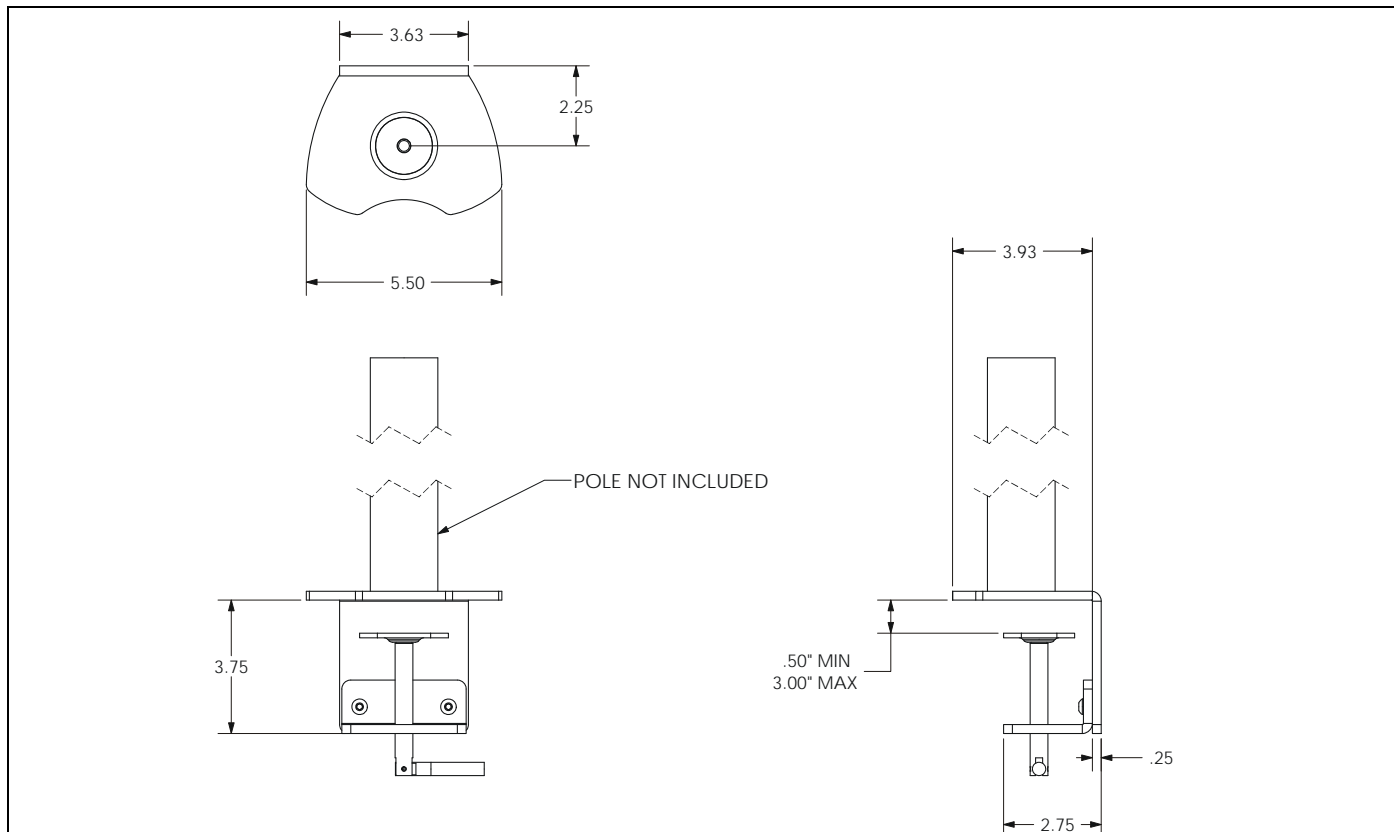
**! WARNING:** Failure to read, thoroughly understand, and follow all instructions can result in serious personal injury, damage to equipment, or voiding of factory warranty! It is the installer's responsibility to make sure all components are properly assembled and installed using the instructions provided.

**! WARNING:** Failure to provide adequate structural strength for this component can result in serious personal injury or damage to equipment! It is the installer's responsibility to make sure the structure to which this component is attached can support five times the combined weight of all equipment. Reinforce the structure as required before installing the component.

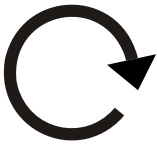

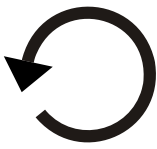









**! WARNING:** Failure to keep all mounted equipment directly above the desk surface at all times can result in serious personal injury or damage to equipment! All mounted equipment must remain directly above the surface of the desk in order to ensure and maintain a stable mount.

**! WARNING:** Exceeding the weight capacity can result in serious personal injury or damage to equipment! It is the installer's responsibility to make sure the combined weight of all components attached to the KTA-1004 desk clamp up to (and including) the display/projector does not exceed the weight limits of the pole mount attached to the desk clamp.

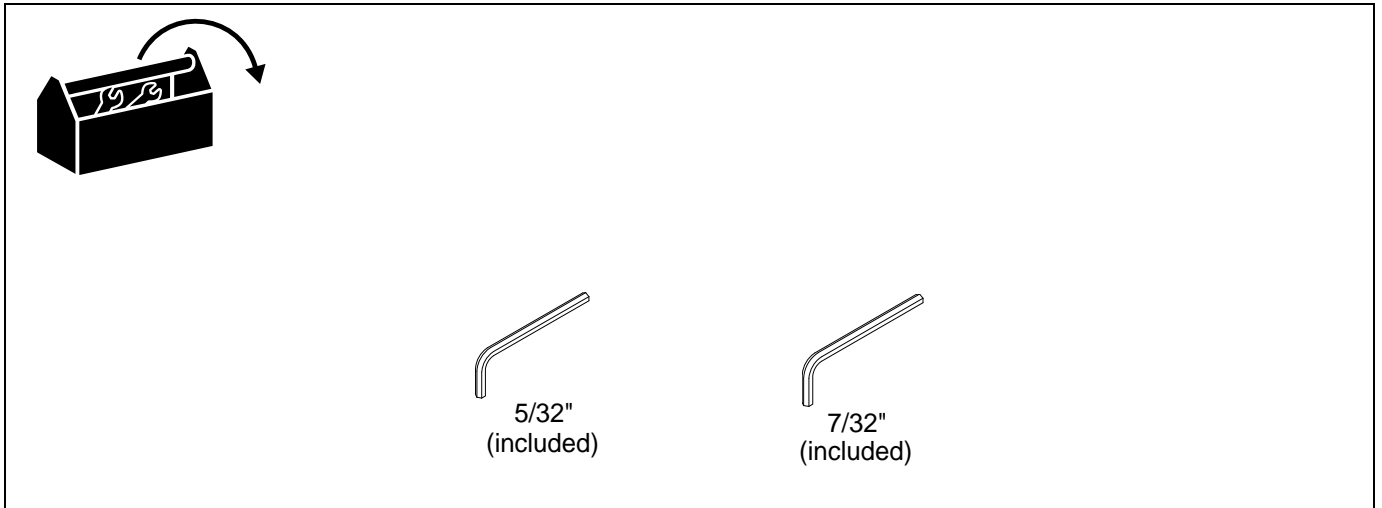
## DIMENSIONS



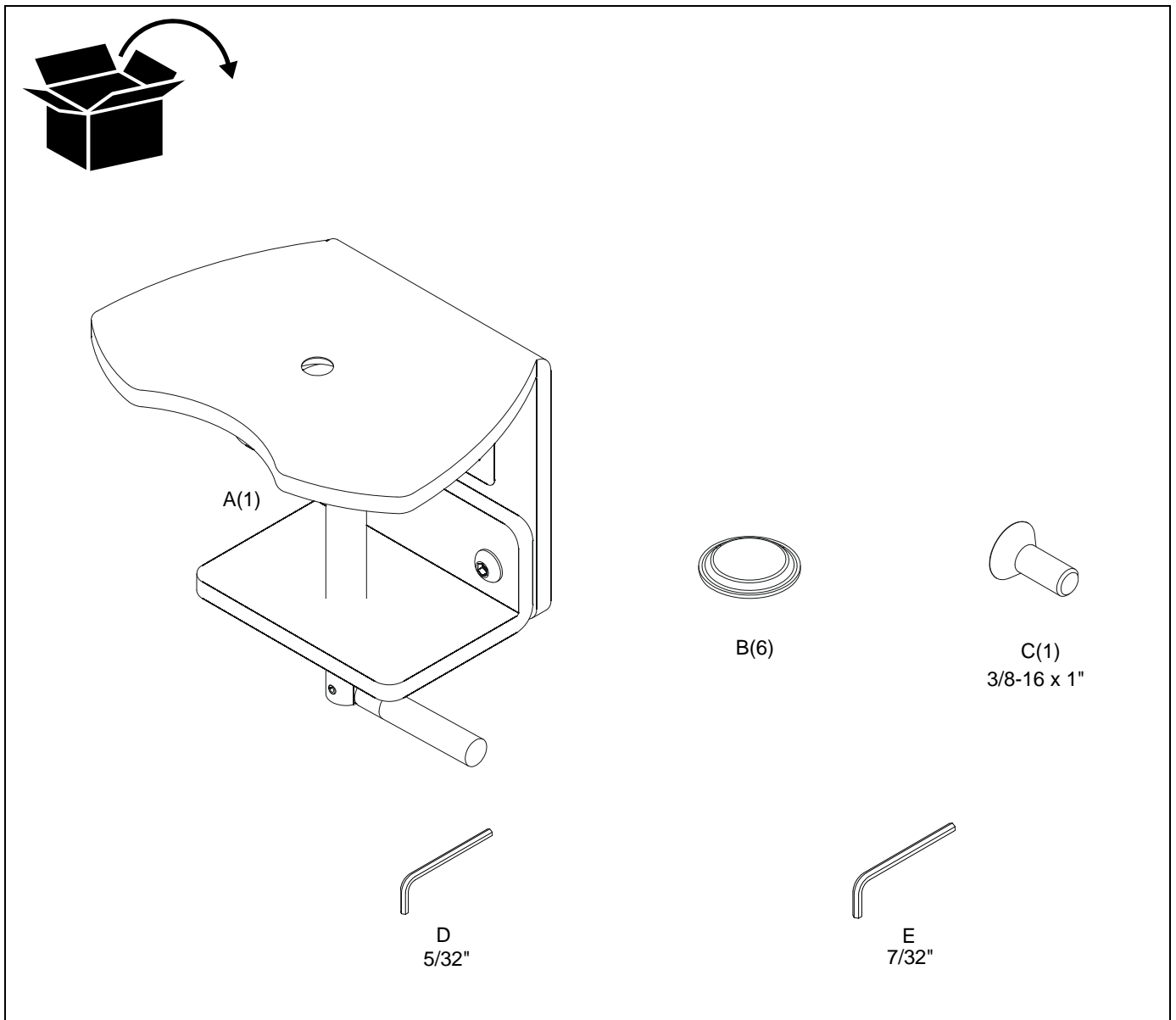
**LEGEND**

	<p><b>Tighten Fastener</b>                      Apretar elemento de fijación                      Befestigungsteil festziehen                      Apertar fixador                      Serrare il fissaggio                      Bevestiging vastdraaien                      Serrez les fixations</p>		<p><b>Pencil Mark</b>                      Marcar con lápiz                      Stiftmarkierung                      Marcar com lápis                      Segno a matita                      Potloodmerkten                      Marquage au crayon</p>
	<p><b>Loosen Fastener</b>                      Aflojar elemento de fijación                      Befestigungsteil lösen                      Desapertar fixador                      Allentare il fissaggio                      Bevestiging losdraaien                      Desserrez les fixations</p>		<p><b>Drill Hole</b>                      Perforar                      Bohrloch                      Fazer furo                      Praticare un foro                      Gat boren                      Percez un trou</p>
	<p><b>Phillips Screwdriver</b>                      Destornillador Phillips                      Kreuzschlitzschraubendreher                      Chave de fendas Phillips                      Cacciavite a stella                      Kruiskopschroevendraaier                      Tournevis à pointe cruciforme</p>		<p><b>Adjust</b>                      Ajustar                      Einstellen                      Ajustar                      Regolare                      Afstellen                      Ajuster</p>
	<p><b>Open-Ended Wrench</b>                      Llave de boca                      Gabelschlüssel                      Chave de bocas                      Chiave a punte aperte                      Steeksleutel                      Clé à fourche</p>		<p><b>Remove</b>                      Quitar                      Entfernen                      Remover                      Rimuovere                      Verwijderen                      Retirez</p>
	<p><b>By Hand</b>                      A mano                      Von Hand                      Com a mão                      A mano                      Met de hand                      À la main</p>		<p><b>Optional</b>                      Opcional                      Optional                      Opcional                      Opzionale                      Optie                      En option</p>
	<p><b>Hex-Head Wrench</b>                      Llave de cabeza hexagonal                      Sechskantschlüssel                      Chave de cabeça sextavada                      Chiave esagonale                      Zeskantsleutel                      Clé à tête hexagonale</p>		<p><b>Security Wrench</b>                      Llave de seguridad                      Sicherheitsschlüssel                      Chave de segurança                      Chiave di sicurezza                      Veiligheidsleutel                      Clé de sécurité</p>

### TOOLS REQUIRED FOR INSTALLATION



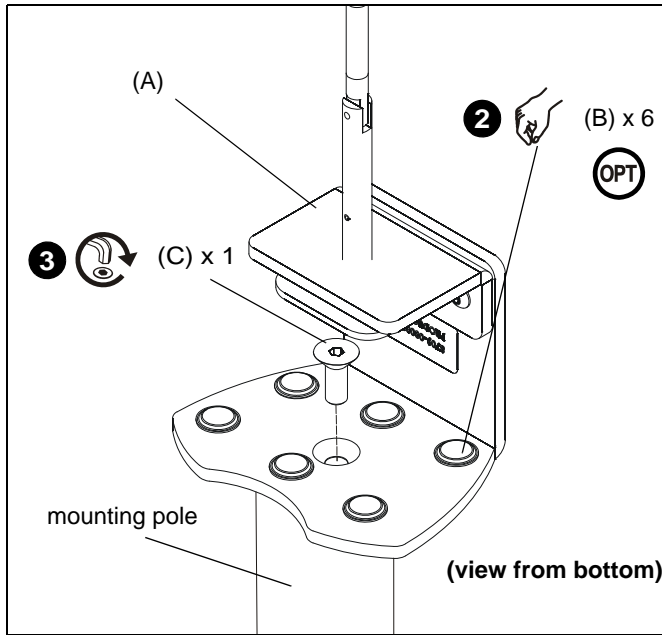
### PARTS



## INSTALLATION

**NOTE:** In order to reduce the chance of scratching to the mounting surface, bumpers may be installed. However, installation of bumpers is optional.

1. Remove adhesive from underside of bumpers (B).
2. Attach bumpers (B) to underside of desk clamp. (See Figure 1)



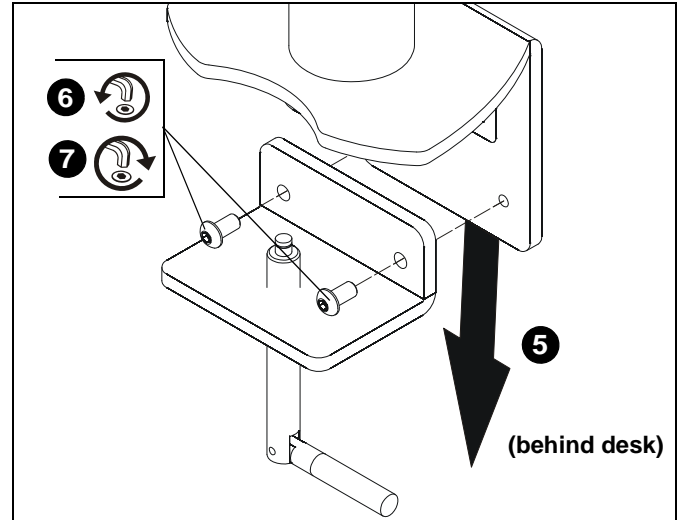
**Figure 1**

3. Use 7/32" hex key (E) to install 3/8-16 x 1" flat head cap screw (C) through the opening on top of desk clamp (A) and into bottom of mounting pole (not included). (See Figure 1)
4. Determine the location where desk clamp will be mounted.



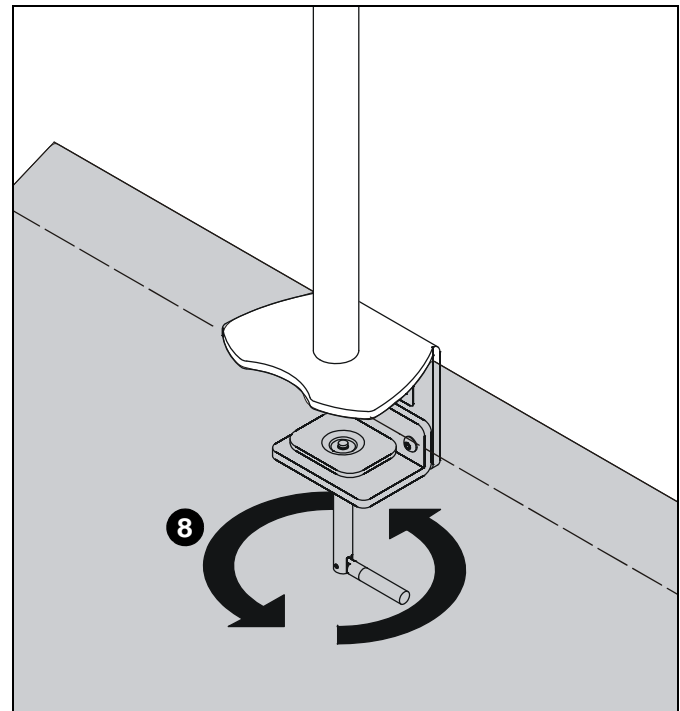
**WARNING:** Failure to keep all mounted equipment directly above the desk surface at all times can result in serious personal injury or damage to equipment! All mounted equipment must remain directly above the surface of the desk in order to ensure and maintain a stable mount.

5. Place desk clamp (A) over desired mounting location on desk. (See Figure 2)
6. If there is not enough clearance behind the desk for the device to clear, remove the bottom portion of the desk clamp by using 5/32" hex key (D) to remove 2 connecting screws. (See Figure 2)
7. Reinstall bottom portion of the desk clamp (if necessary) by reinstalling 2 connecting screws underneath desk. (See Figure 2)



**Figure 2**

8. Turn clamp screw until the clamp is secured to the desk as tightly as possible. (See Figure 3)



**Figure 3**



**WARNING:** Exceeding the weight capacity can result in serious personal injury or damage to equipment! It is the installer's responsibility to make sure the combined weight of all components attached to the KTA-1004 desk clamp up to (and including) the display/projector does not exceed the weight limits of the pole mount attached to the desk clamp.

9. Install mount to mounting pole according to corresponding installation manual for the specific mount to be attached to mounting pole.







Our Mounts. **Your Vision.**

Chief Manufacturing, a division of  
Milestone AV Technologies

8834-000007

©2008 Milestone AV Technologies

[www.chiefmfg.com](http://www.chiefmfg.com)

10/08

**USA/International** A 8401 Eagle Creek Parkway, Savage, MN 55378  
P 800.582.6480 / 952.894.6280  
F 877.894.6918 / 952.894.6918

**Europe** A Fellenoord 130 5611 ZB EINDHOVEN, The Netherlands  
P +31 (0)40 2668620  
F +31 (0)40 2668615

**Asia Pacific** A Room 24F, Block D, Lily YinDu International Building  
LuoGang, BuJi Town, Shenzhen, CHINA.  
深圳市布吉罗岗村百合银都国际大厦D栋24F  
P +86-755-8996 9226  
F +86-755-8996 9217

