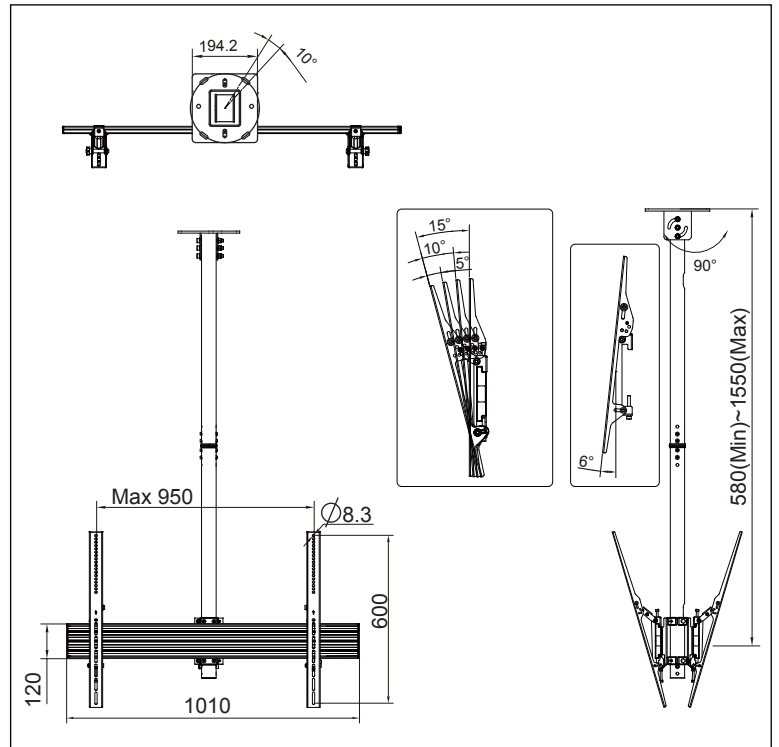
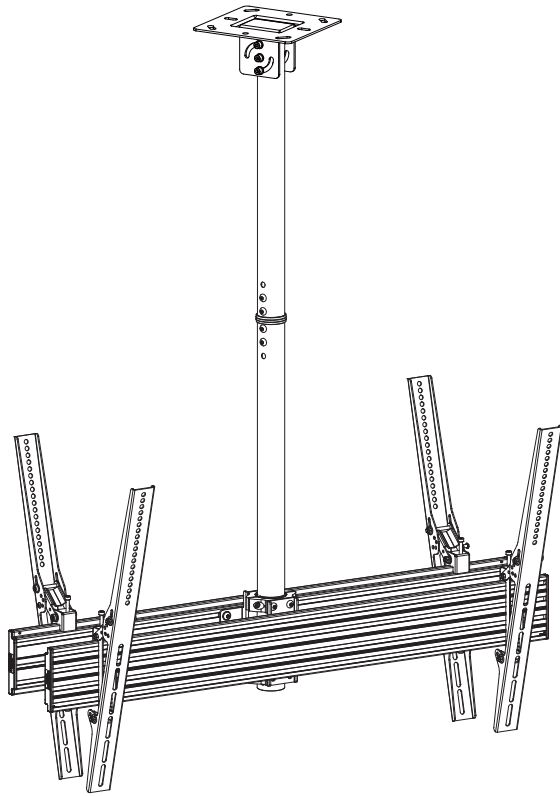




Technical Summary

MBC1UX2HD

EAN: 7350073736232



COMPONENT CHECKLIST

M5X15 X4 A1	M6X15 X4 A2	M8X15 X4 A3	Ø16XØ6.2X1.5 X4 A4
-------------------	-------------------	-------------------	--------------------------

X2

Open-wrench X1 B1	5mm X1 B2	6mm X1 B3
-------------------------	-----------------	-----------------

X1

M8x12 X4 B4	Ø16XØ8.2X1.5 X4 B5	M8 X4 B6
-------------------	--------------------------	----------------

X2

M8x70 X3 C1	Ø16XØ8.2X1.5 X12 C2	M8x60 X1 C3	Lag bolt X4 C4	Lag bolt X6 C5	Anchor X6 C6
-------------------	---------------------------	-------------------	----------------------	----------------------	--------------------

X1

AA X1	DD X2	EE X1	GG X1
HH X4	JJ X1	KK X4	LL X2