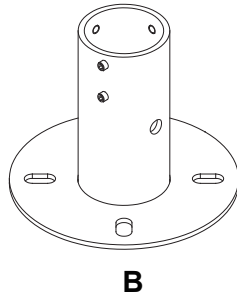
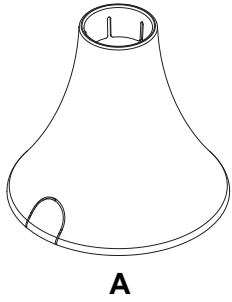




Technical Summary

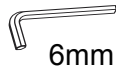
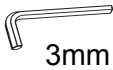
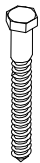
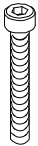
Floor To Ceiling Wall Plate With Cone Plastic Cover

EAN: 7350073733651, 7350073733859
7350073736188, 7350073736195

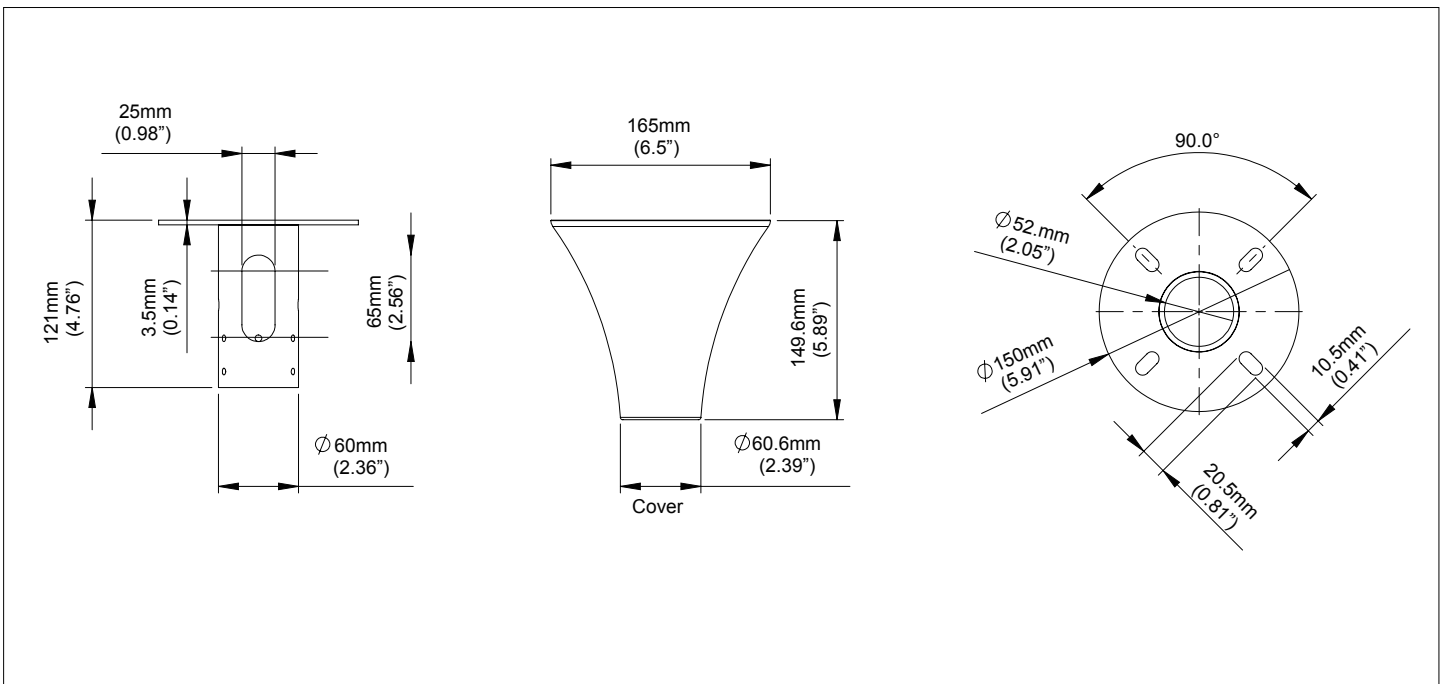


COMPONENT CHECKLIST

Item	Name	QTY
A	Floor Mount Cover	1
B	Floor Mount	1
C	M8 x 70mm Screw	1
D	M8 Washer	4
E	M8 Nut	1
F	Plastic Anchor	4
G	Coach Screw	4
H	3mm Allen Key	1
I	6mm Allen Key	1
J	Open-wrench	1

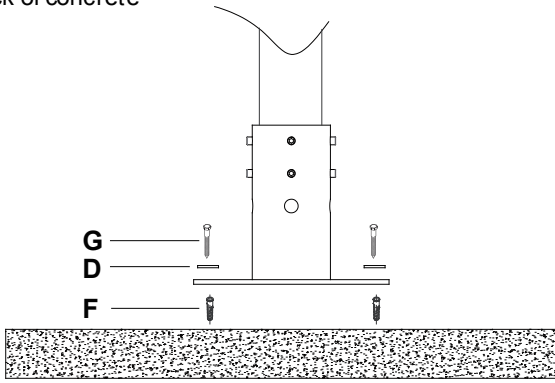


PRODUCT DIMENSIONS

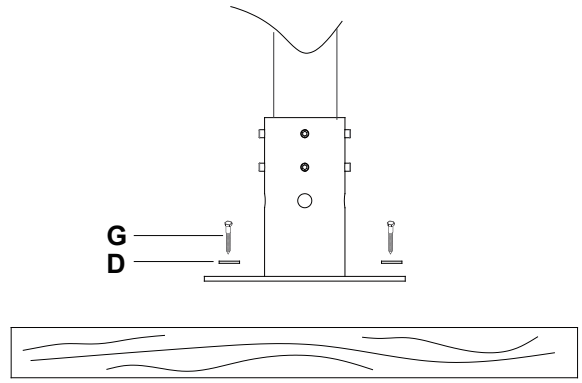


INSTALLATION IN STRUCTION

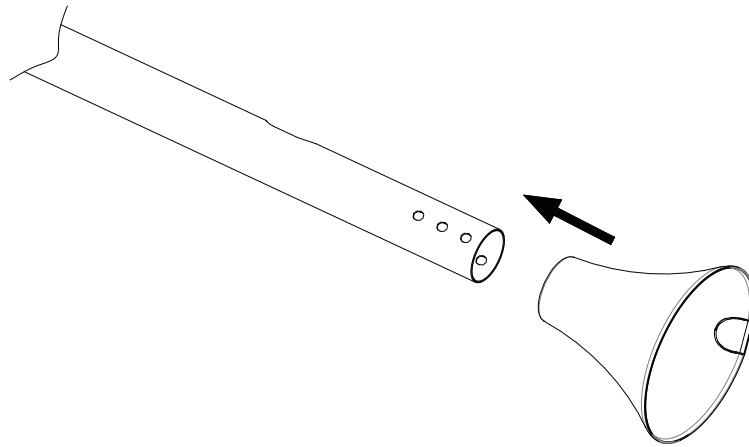
1. Fix to floor
a. Brick or concrete



- b. Wood



2. Place cover over pole end



3. Fix pole in mount

