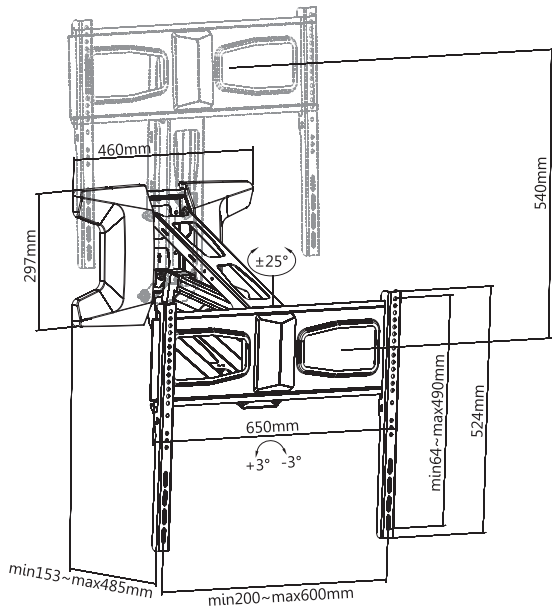


# Installation manual

## M Motorized Pull Down Full Motion Flexarm

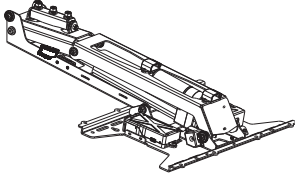
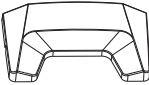
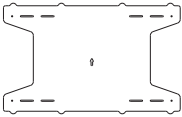




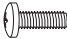
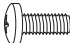
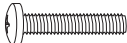
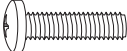
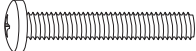


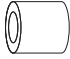



EAN: 7350073739615

- (en) Installation Manual
- (ar) تخطيط لآلي ليد
- (cz) Instalační manuál
- (de) Installationsmanual
- (de) Installationsanleitung
- (es) Paigaldusjuhend
- (el) Οδηγίες εγκατάστασης
- (eu) Manual de instalación
- (fi) Asennusohje
- (fr) Installation Manuel
- (he) הנחיה ליידימ
- (hu) Szerelési kézikönyv
- (it) Manuale di installazione
- (jp) 取り付け説明書
- (kr) 설치 설명서
- (lt) Montavimo instrukcija
- (lv) Uzstādīšanas rokasgrāmata
- (nl) Installatie handleiding
- (no) Installasjonsshåndbok
- (pl) Instrukcja instalacji
- (pt) Manual de instalação
- (pt) Manual de instalar
- (ru) Инструкция по установке
- (sk) Inštaláčny manuál
- (sl) Navodila za montažo
- (sv) Installationsmanual
- (tr) Montaj kılavuzu
- (zh) 安装手册

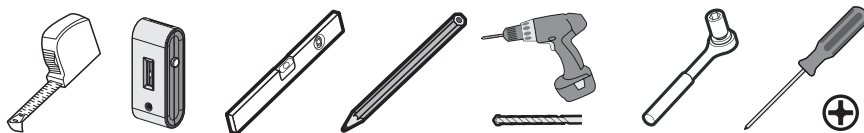




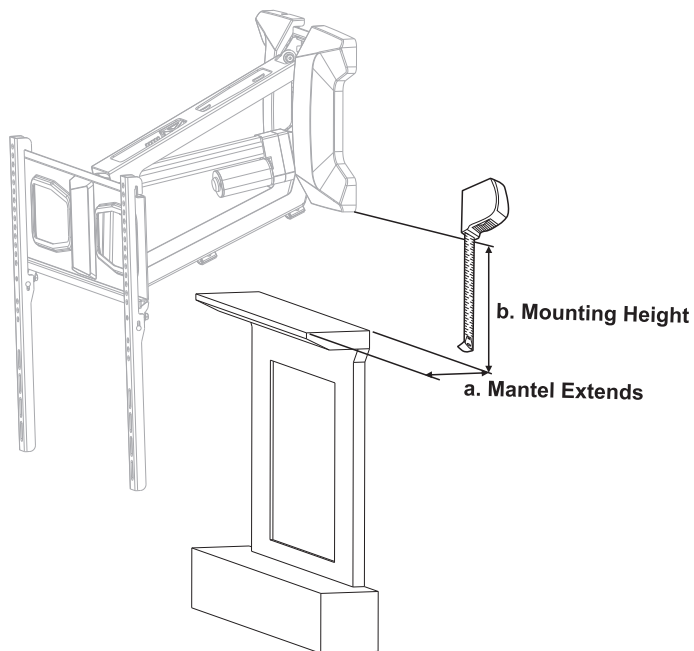
# Product content

 <p>A (x1)</p>	 <p>B (x2)</p>	 <p>C (x1)</p>	
 <p>F (x1)</p>	 <p>G (x1)</p>	 <p>H (x1)</p>	 <p>I (x1)</p>
 <p>M5x14 (x4) M-A</p>	 <p>M6x14 (x4) M-B</p>	 <p>M6x30 (x4) M-C</p>	
 <p>M8x30 (x4) M-D</p>	 <p>M8x50 (x4) M-E</p>		
 <p>M-F (x4)</p>	 <p>M-G (x8)</p>	 <p>M-H (x8)</p>	
 <p>W-A (x6)</p>	 <p>W-B (x6)</p>	 <p>W-C (x6)</p>	

## Tools suggested for instalation



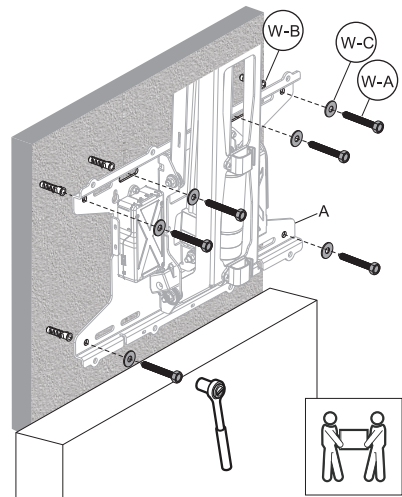
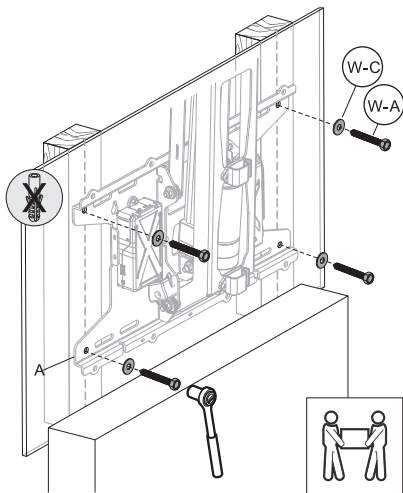
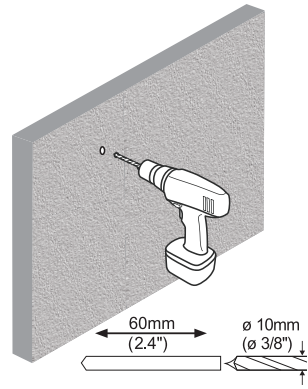
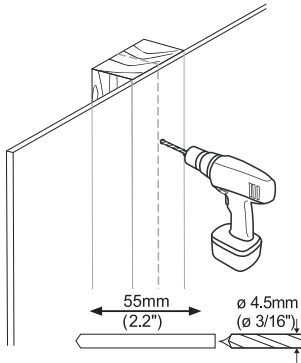
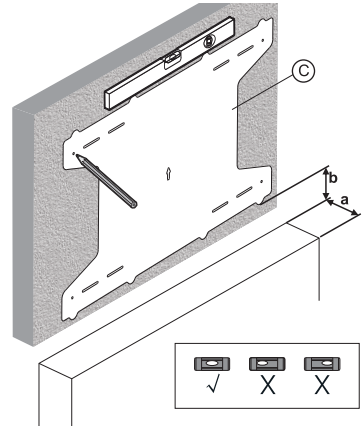
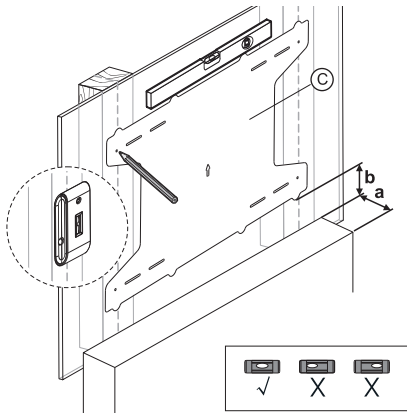
## Take Wall Placement Measurement



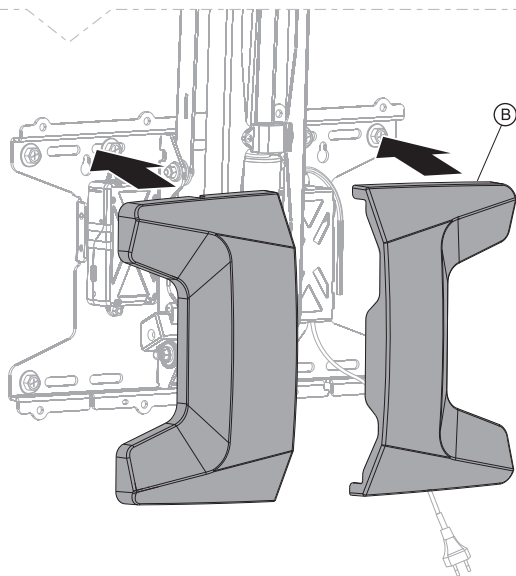
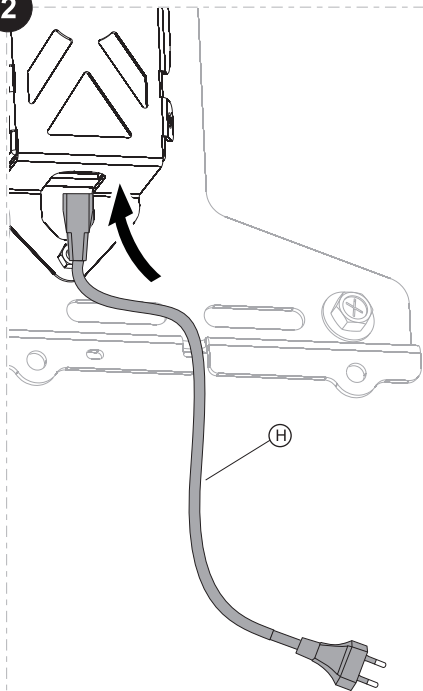
<b>a. If Mantel Extends:</b>	<b>b. Mounting Height Required:</b>
≤ 100mm	≥ 80mm
≤ 200mm	≥ 200mm
≤ 300mm	≥ 250mm
≤ 350mm	≥ 300mm



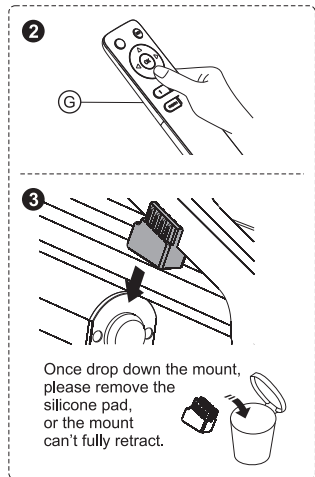
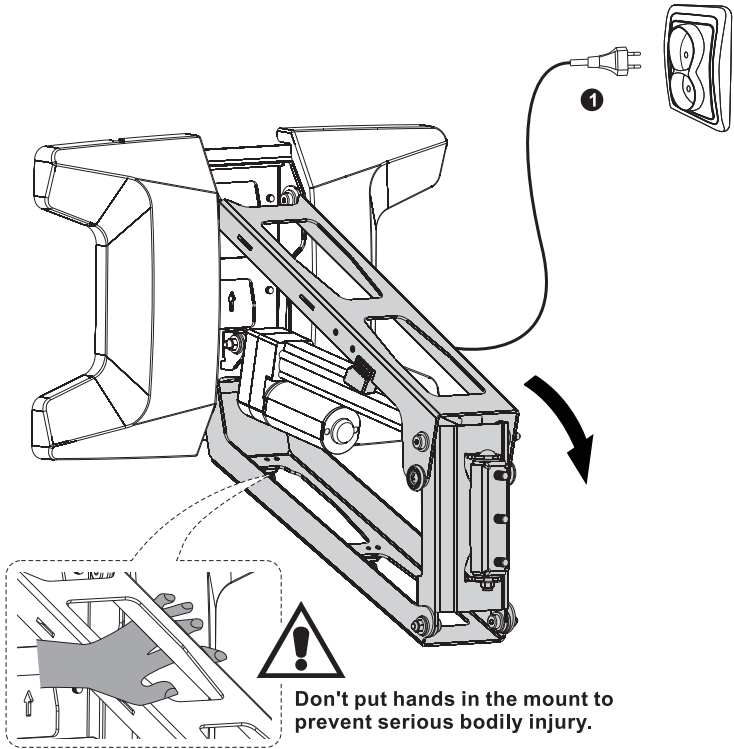
1



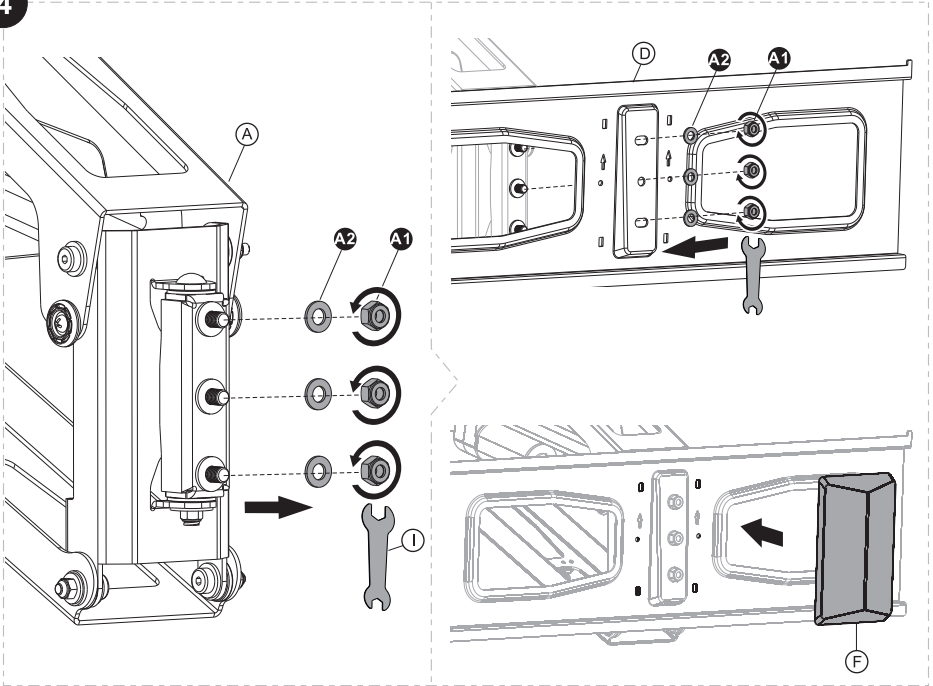
2



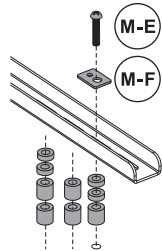
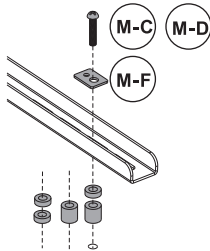
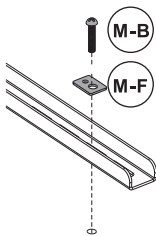
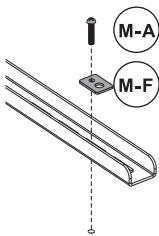
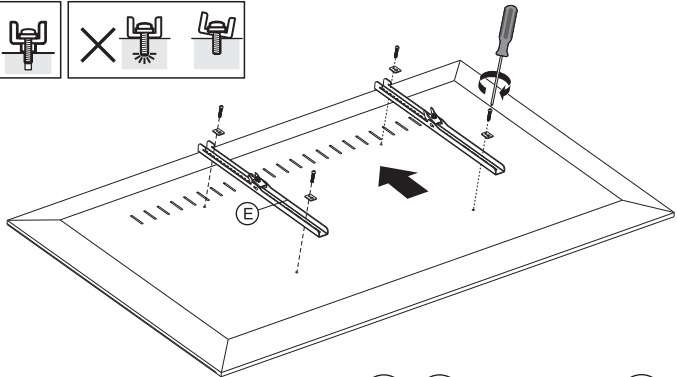
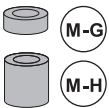
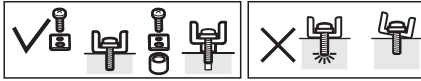
3

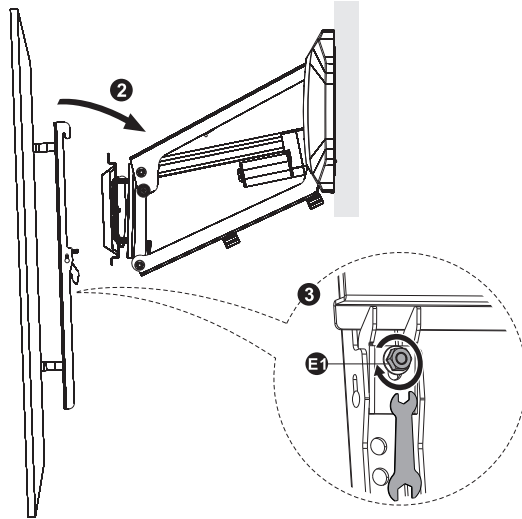
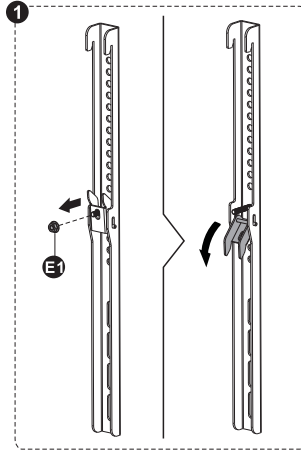


4

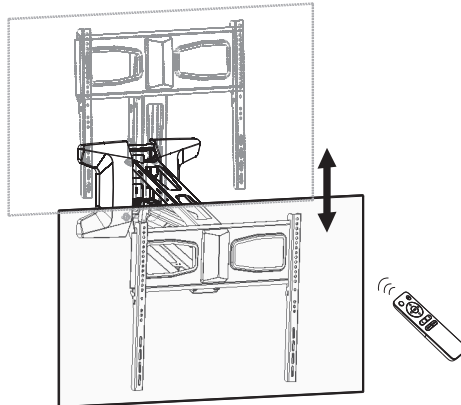
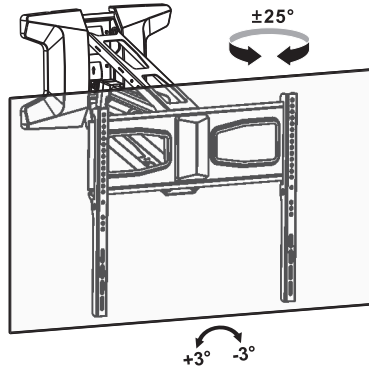


5





7



**The product is powered by electricity. In order to avoid burns, fire and electric shock and make sure the safe and correct use of the system and maintain the longevity of the overall construction and the built-in electronics, please read the instructions carefully.**

### Warnings

- This appliance can be used by children aged from 8 years and above if they have been given supervision or instruction concerning use of the appliance in a safe way and understand the hazards involved. Children shall not play with the appliance. Cleaning and user maintenance shall not be made by children without supervision.
- Persons with reduced physical, sensory or mental capabilities or lack of experience and knowledge must not use the appliance, unless they're under supervision, understand the hazards involved or they have been thoroughly instructed in the use of the apparatus by a person who is responsible for the safety of these persons.
- Don't leave the cords or plug unorganized in order to prevent tripping hazards.
- Any attempts to reconstruct the construction aren't allowed.

### Electrical Safety Instructions

- The appliance is only to be used with the power supply unit provided with the appliance. Alterations of the given power unit aren't allowed.
- Never operate the system with a damaged power supply cord or plug. If any part is damaged, please contact your service agent of purchase for a replacement.
- Never operate the system if it's in moist environment or its electrical components has contact with liquids.
- Don't clean the product while the power is still connected.
- Don't disassemble or replace components while the power is still connected.
- Unplug the appliance when the system isn't in use, and place the power plug out of children reach.

# Remote Control Operation Instructions

## A. Button Functions

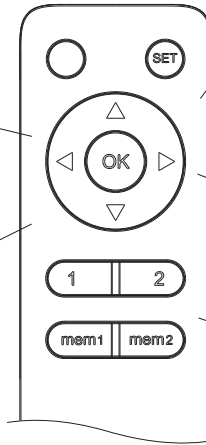
**Note:** The remote control is powered by two AAA batteries (not included).

### 1. Upward/Downward Movement

Press and hold the "△" button to lift the mount. Press and hold the "▽" button to lower the mount.  
(Tips: Clear up all obstacles within the range of motion.)

### 2. Memory Setting

Long press the "mem1" or "mem2" button for 2 seconds until you hear a beep, indicating that the current position has been saved to memory. The "mem1" "mem2" buttons can each store a different position.



### 3. Recall Memory

Press the "1" or "2" button and the mount will automatically get to the position saved in the corresponding button "mem1" or "mem2". Press any button to stop motion.

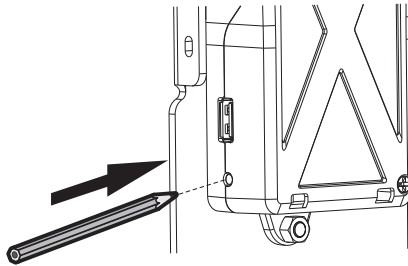
### 4. Default Setting

Short press the "OK" button and the mount will automatically retract to the highest position. Press any button to stop motion.

### 5. Reset Mode

Disconnect the power supply cord. Wait for 10 seconds and reconnect. Long press the "OK" button for 5 seconds until you hear a long beep. The mount starts to move upward to the highest position and the control box emits a beep. Then moves downward to the lowest position and the control box emits twice beeps.

## B. Coding of Remote Control and Control Box



**STEP1:** When the mount is powered on, press the small button on the control box with a thin tool as shown. The unit emits a beep, indicating that the control box is on standby for program coding.

**STEP2:** Press the "mem1" button on the remote control, and the control box repeatedly beeps for approximate 10 seconds indicating that the remote control is being programmed. The process will be finished automatically until you can't hear a beep any longer.

**Note:** Clear up the historical data when replacing a new remote control to pair. Press the small button on the control box with hearing a beep, and hold for 10 seconds to confirm the data-cleaning process is completed until you hear two beeps.

# TROUBLESHOOTING

**Q: The motorized TV mount does not respond to remote control.**

**A:** Possible reasons caused by TV mount or remote control

## TV Mount

- The system may be overheating. Check if the unit beeps two times after pressing the button. If so, allow the unit to cool down and return to room temperature (about 12 minutes).
- The AC/DC end of the power cord may be unplugged/disconnect from the outlet/mount. Check the connection to the outlet/mount to ensure the unit has power.

**Q: The TV mount stops moving during operation and emits a long beep.**

- A:**
- Check to see if a foreign object is impeding the mount from moving. If so, remove the object and discard.
  - The weight of TV may exceed the maximum weight limitation of the mounting system.
  - The motor wire may be broken. Reset the system. If the problem still exists, contact your place of purchase for replacement.

**Q: The TV mount is making an abnormal noise or sound.**

- A:**
- Check all power connections and reset the system. If the unit continues to make an abnormal noise, please contact your place of purchase for a replacement.

## Remote Control

- The batteries in the remote control may be low or dead. Replace the batteries.
- The remote control may be broken.
- Check to see if the indicator LED found on the remote lights when a button is pressed.  
If not, contact your place of purchase for a replacement.
- The remote control operating distance may be too far and not in range of the mount.
- Acceptable range should be less than 10m.



**Disposal:**

The product with this mark indicates that this product shouldn't be disposed with other household wastes throughout the EU. To prevent possible harm to the environment or human health from uncontrolled waste disposal, recycle it responsibly to promote the sustainable reuse of material resources. To return your used device, please use the local recycle service or contact your point of purchase to withdraw the product.