

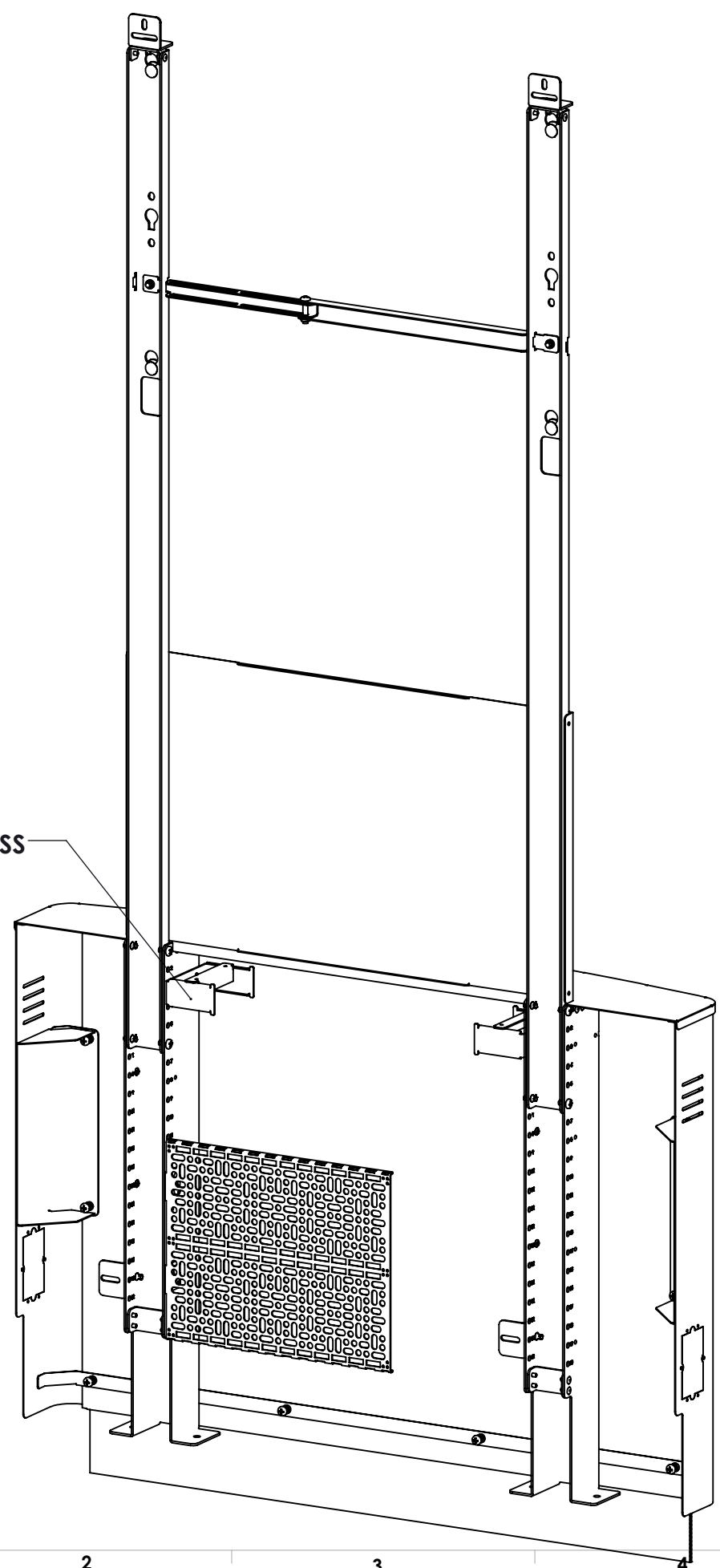
THE INFORMATION AND DESIGNS CONTAINED IN THIS DRAWING ARE CONFIDENTIAL AND THE PROPRIETARY PROPERTY OF MILESTONE AV TECHNOLOGIES NEITHER THIS DESIGN NOR ANY INFORMATION CONTAINED IN THIS DRAWING MAY BE REPRODUCED OR DISCLOSED TO OTHERS WITHOUT THE EXPRESS WRITTEN CONSENT OF MILESTONE AV TECHNOLOGIES.

CAD GENERATED DRAWING, DO NOT MANUALLY UPDATE.			6436 CITY WEST PKWY EDEN PRAIRIE MN, 55344 PHONE: 866-977-3901 FAX: 877-894-6918		
DRAWN BY	JF	5/8/2019	DESCRIPTION		
ENG APPROVAL			2RU FP FSS ACCESSORY		
MFG APPROVAL			MODEL NO.		
QA APPROVAL			AVA1102		
SHEET 1 OF 2		SCALE	SIZE	DWG. NO.	REV.
		1:2	B	TECH-001001	00


D
C
B
A

D
C
B
A

AVA1102 ON AVSFSS



THE INFORMATION AND DESIGNS CONTAINED IN THIS DRAWING ARE CONFIDENTIAL AND THE PROPRIETARY PROPERTY OF MILESTONE AV TECHNOLOGIES NEITHER THIS DESIGN NOR ANY INFORMATION CONTAINED IN THIS DRAWING MAY BE REPRODUCED OR DISCLOSED TO OTHERS WITHOUT THE EXPRESS WRITTEN CONSENT OF MILESTONE AV TECHNOLOGIES.

CAD GENERATED DRAWING, DO NOT MANUALLY UPDATE.			 6436 CITY WEST PKWY EDEN PRAIRIE MN, 55344 PHONE: 866-977-3901 FAX: 877-894-6918		
DRAWN BY	JF	5/8/2019	DESCRIPTION		
ENG APPROVAL			2RU FP FSS ACCESSORY		
MFG APPROVAL			MODEL NO.		
QA APPROVAL			AVA1102		
SHEET 2 OF 2		SCALE	SIZE	DWG. NO.	REV.
		1:8	B	TECH-001001	00