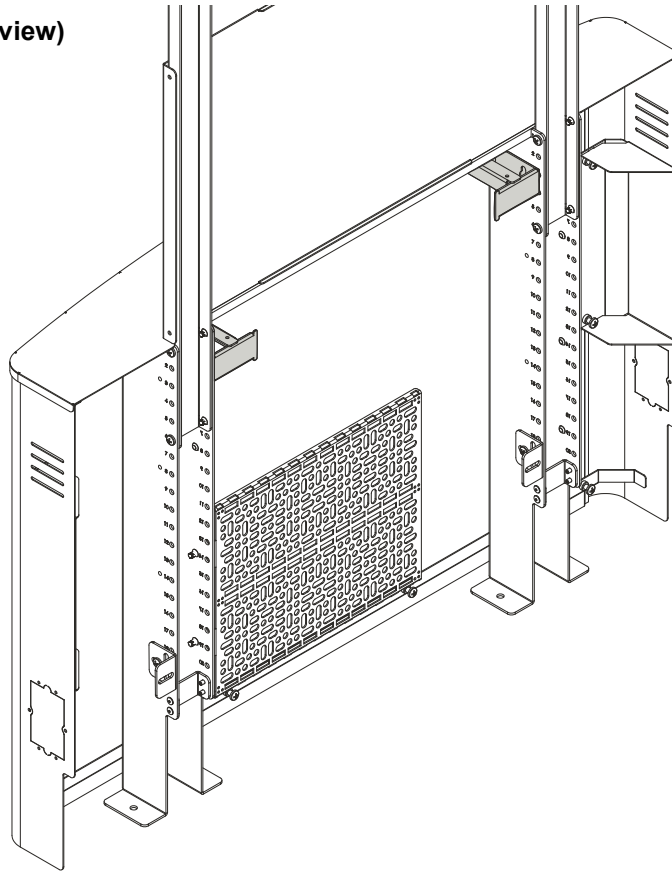


INSTALLATION INSTRUCTIONS

(rear view)



Floor-Bearing Stand Storage Accessory

 **CHIEF**[®]

A brand of  legrand[®]

AVA1102

DISCLAIMER

Legrand | AV and its affiliated corporations and subsidiaries (collectively "Legrand | AV"), intend to make this manual accurate and complete. However, Legrand | AV makes no claim that the information contained herein covers all details, conditions or variations, nor does it provide for every possible contingency in connection with the installation or use of this product. The information contained in this document is subject to change without notice or obligation of any kind. Legrand | AV makes no representation of warranty, expressed or implied, regarding the information contained herein. Legrand | AV assumes no responsibility for accuracy, completeness or sufficiency of the information contained in this document.

Chief® is a registered trademark of Legrand AV Inc.

! IMPORTANT SAFETY INSTRUCTIONS
DEFINITIONS

MOUNTING SYSTEM: A MOUNTING SYSTEM is the primary Chief product to which an accessory and/or component is attached.

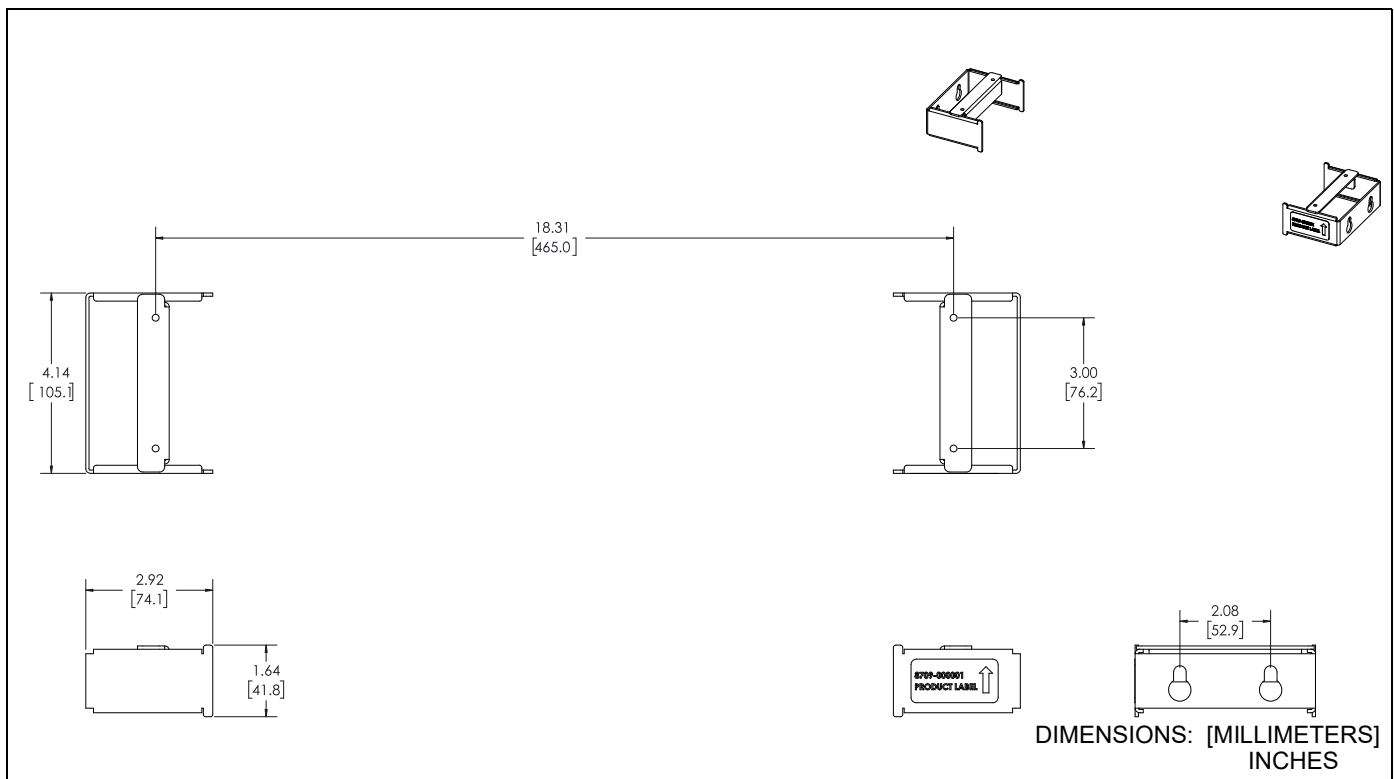
ACCESSORY: AN ACCESSORY is the secondary Chief product which is attached to a primary Chief product, and may have a component attached or setting on it.

COMPONENT: A COMPONENT is an audiovisual item designed to be attached or resting on an accessory or mounting system such as a video camera, CPU, screen, display, projector, etc.

! IMPORTANT SAFETY INSTRUCTIONS

! WARNING: A WARNING alerts you to the possibility of

DIMENSIONS



DIMENSIONS: [MILLIMETERS]
INCHES

serious injury or death if you do not follow the instructions.

! CAUTION: A CAUTION alerts you to the possibility of damage or destruction of equipment if you do not follow the corresponding instructions.

! WARNING: Failure to read, thoroughly understand, and follow all instructions can result in serious personal injury, damage to equipment, or voiding of factory warranty! It is the installer's responsibility to make sure all components are properly assembled and installed using the instructions provided.

! WARNING: Exceeding the weight capacity can result in serious personal injury or damage to equipment! It is the installer's responsibility to make sure the combined weight of all components attached to this accessory does not exceed 30 lbs (13.6 kg).

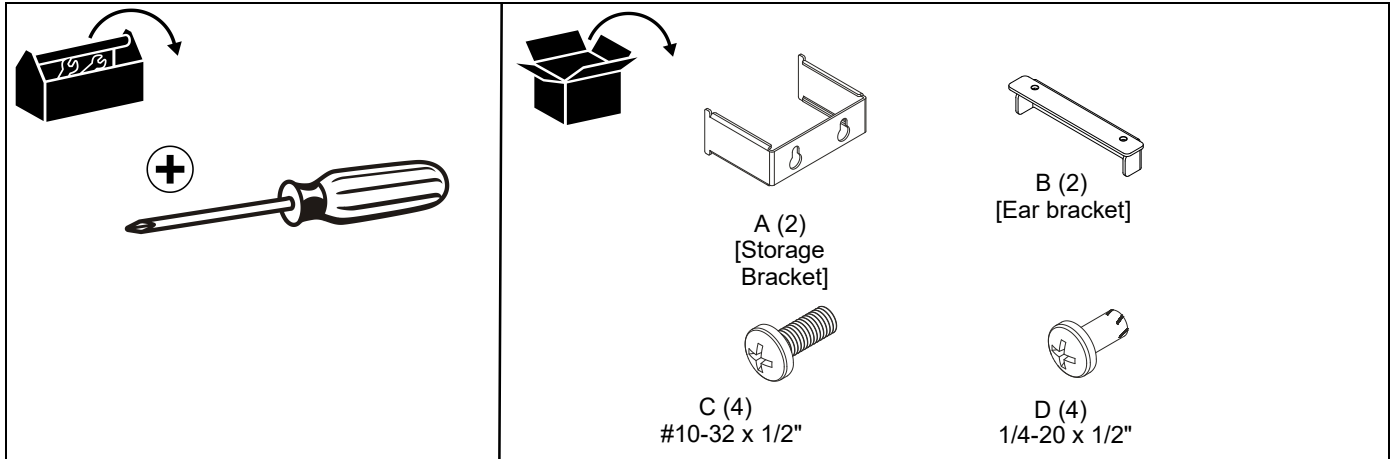
! WARNING: Use this accessory only for its intended use as described in these instructions. Do not use attachments not recommended by the manufacturer.

! WARNING: Never operate this accessory if it is damaged. Return the accessory to a service center for examination and repair.

! WARNING: Do not use this product outdoors.

--SAVE THESE INSTRUCTIONS--

TOOLS / PARTS FOR INSTALLATION



ASSEMBLY AND INSTALLATION

1. Fully assemble AVSFSS mounting system except base cover.
2. Loosely install four 1/4-20 x 1/2" Phillips pan machine screws (D) into holes on AVSFSS bottom uprights. (See Figure 1)
3. Use keydrop mounting holes to hang storage brackets onto screws. (See Figure 1)
4. Tighten four screws (D) to secure storage brackets (A) to bottom uprights. (See Figure 1)

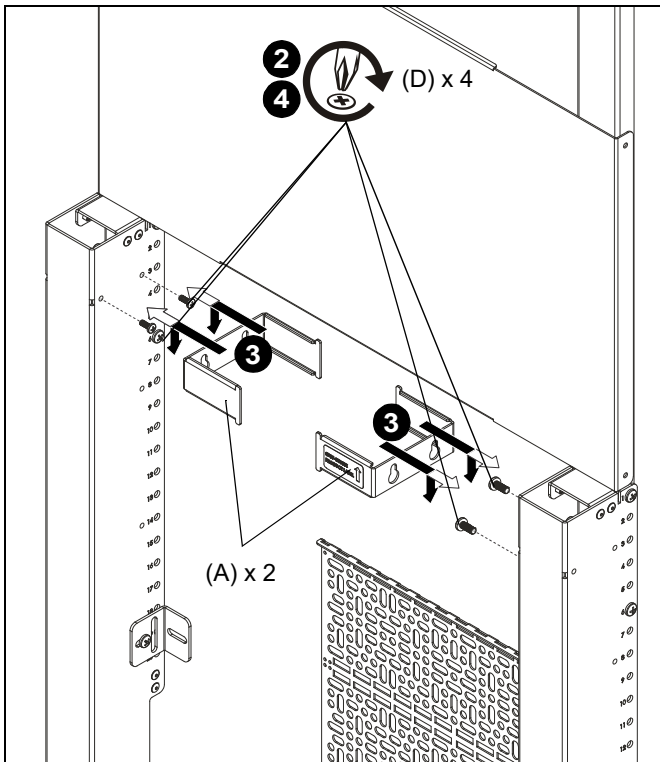


Figure 1

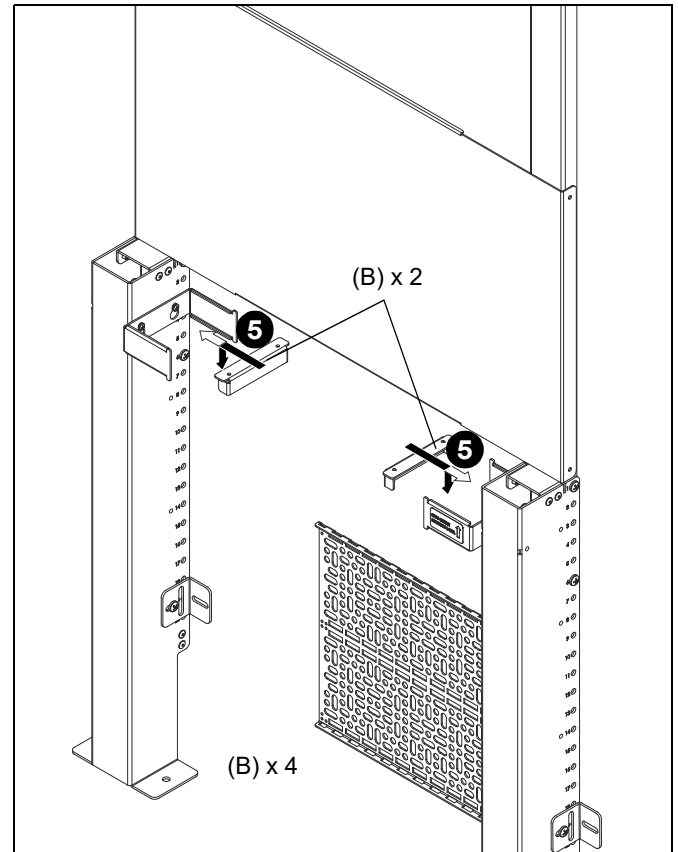


Figure 2

6. Install accessories to brackets using #10-32 x 1/2" Phillips tapping screws (C) or other appropriate hardware.

5. Place two ear brackets (B) onto two storage brackets (A). (See Figure 2)



A brand of  **legrand**

8800-003159 Rev00
©2019 Legrand | AV
www.legrandav.com
07/19

USA/International	A 6436 City West Parkway, Eden Prairie, MN 55344 P 800.582.6480 / 952.225.6000 F 877.894.6918 / 952.894.6918
Europe	A Franklinstraat 14, 6003 DK Weert, Netherlands P +31 (0) 495 580 852 F +31 (0) 495 580 845
Asia Pacific	A Office No. 918 on 9/F, Shatin Galleria 18-24 Shan Mei Street Fotan, Shatin, Hong Kong P 852 2145 4099 F 852 2145 4477

