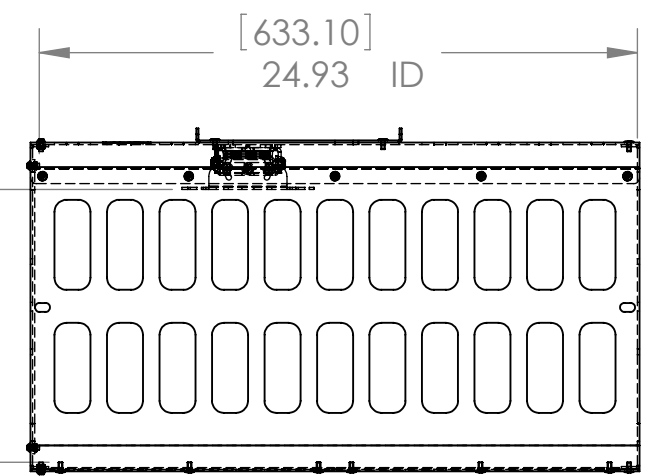
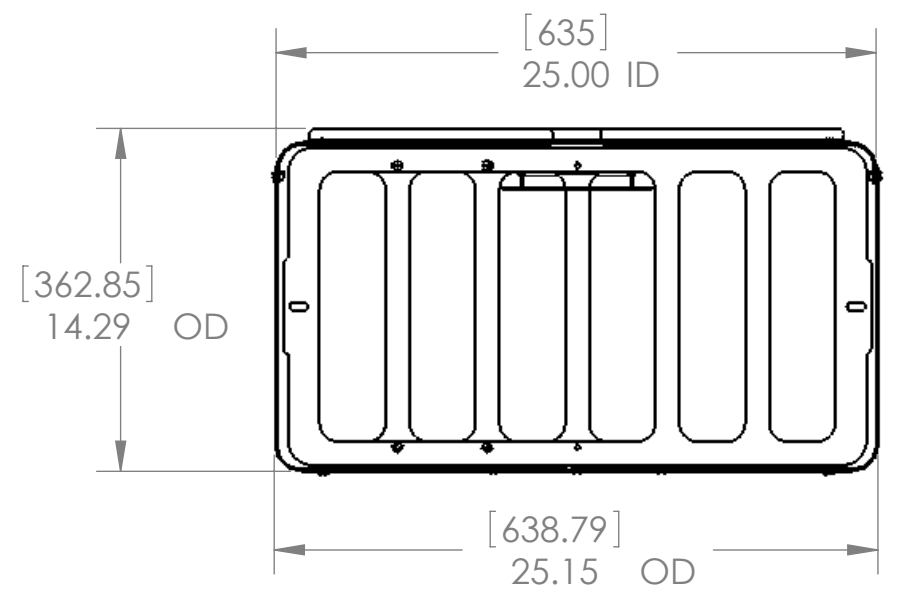


1.5" NPSM COUPLER WILL ALLOW FOR 3.75" OF FRONT TO BACK ADJUSTABLE SHIFT



- NOTE:**
1. RPA AND SLB BRACKET SOLD SEPARATELY.
  2. HEIGHT DIMENSION DOES NOT INCLUDE SLB/SLM INTERFACE. YOU MUST ALLOW FOR .25" TO .75" LESS HEIGHT FROM BOTTOM OF RPA DIMENSION FOR SLB/SLM INTERFACE.
  3. RPM SERIES MOUNT REDUCES MAXIMUM HEIGHT BY 1.00"
  4. MAXIMUM HEIGHT USING RPA SERIES MOUNT =11.11" TO 10.61"
  5. MAXIMUM HEIGHT USING RPM SERIES MOUNT =10.11" TO 9.61"

THE INFORMATION AND DESIGNS CONTAINED IN THIS DRAWING ARE CONFIDENTIAL AND THE PROPRIETARY PROPERTY OF CHIEF MFG., INC. NEITHER THIS DESIGN NOR ANY INFORMATION CONTAINED IN THIS DRAWING MAY BE REPRODUCED OR DISCLOSED TO OTHERS WITHOUT THE EXPRESS WRITTEN CONSENT OF CHIEF MFG., INC.

**CHIEF** 8401 EAGLE CREEK PKY  
SAVAGE, MN 55378  
PHONE: 952-894-6280  
FAX: 877-894-6918

TITLE  
**CUSTOMER PRINT, PG3A  
TECH DRAWING**

SIZE | DWG. NO.  
**B BRACKET ORDER # PG3A**