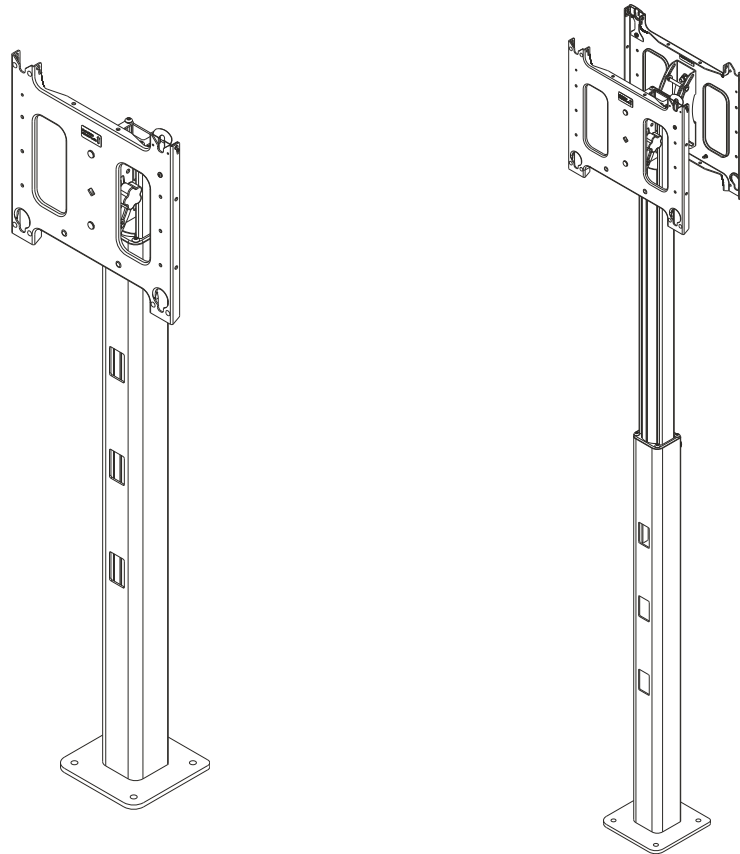

INSTALLATION INSTRUCTIONS



Single and Dual Bolt Down Floor Stands

DISCLAIMER

Milestone AV Technologies, and its affiliated corporations and subsidiaries (collectively, "Milestone"), intend to make this manual accurate and complete. However, Milestone makes no claim that the information contained herein covers all details, conditions or variations, nor does it provide for every possible contingency in connection with the installation or use of this product. The information contained in this document is subject to change without notice or obligation of any kind. Milestone makes no representation of warranty, expressed or implied, regarding the information contained herein. Milestone assumes no responsibility for accuracy, completeness or sufficiency of the information contained in this document.

Chief® and ClickConnect™ are registered trademarks of Milestone AV Technologies. All rights reserved.

DEFINITIONS

MOUNTING SYSTEM: A MOUNTING SYSTEM is the primary Chief product to which an accessory and/or component is attached.

ACCESSORY: AN ACCESSORY is the secondary Chief product which is attached to a primary Chief product, and may have a component attached or setting on it.

COMPONENT: A COMPONENT is an audiovisual item designed to be attached or resting on an accessory or mounting system such as a video camera, CPU, screen, display, projector, etc.



WARNING: A WARNING alerts you to the possibility of serious injury or death if you do not follow the instructions.



CAUTION: A CAUTION alerts you to the possibility of damage or destruction of equipment if you do not follow the corresponding instructions.



IMPORTANT SAFETY INSTRUCTIONS



WARNING: Failure to read, thoroughly understand, and follow all instructions can result in serious personal injury, damage to equipment, or voiding of factory warranty! It is the installer's responsibility to make sure all mounting systems are properly assembled and installed using the instructions provided.



WARNING: Failure to provide adequate structural strength for this mounting system can result in serious personal injury or damage to equipment! It is the installer's responsibility to make sure the structure to which this mounting system is attached can support five times the combined weight of all equipment. Reinforce the structure as required before installing the mounting system.



WARNING: Exceeding the weight capacity can result in serious personal injury or damage to equipment! It is the installer's responsibility to make sure the combined weight of all accessories and components attached to the stand does not exceed 150 lbs (68 kg) for the PFB1UB, 250 lbs (113.4 kg) for the PFB2UB [125 lbs (56.7 kg) per faceplate].



WARNING: Do NOT install PFB1UB/PFB2UB mounts to any surface other than concrete! Concrete flooring must be at least 4" in thickness and NOT be covered with any other type of flooring material. Concrete anchors must be installed directly into concrete surface.



WARNING: Use this mounting system only for its intended use as described in these instructions. Do not use attachments not recommended by the manufacturer.



WARNING: Never operate this mounting system if it is damaged. Return the mounting system to a service center for examination and repair.



WARNING: Do not use this mounting system outdoors.



WARNING: RISK OF SERIOUS INJURY OR DEATH!
Placing a remote control or toy on the stand may encourage a child to climb onto the stand causing the stand to tip over onto the child. DO NOT place remote controls or toys on the stand!

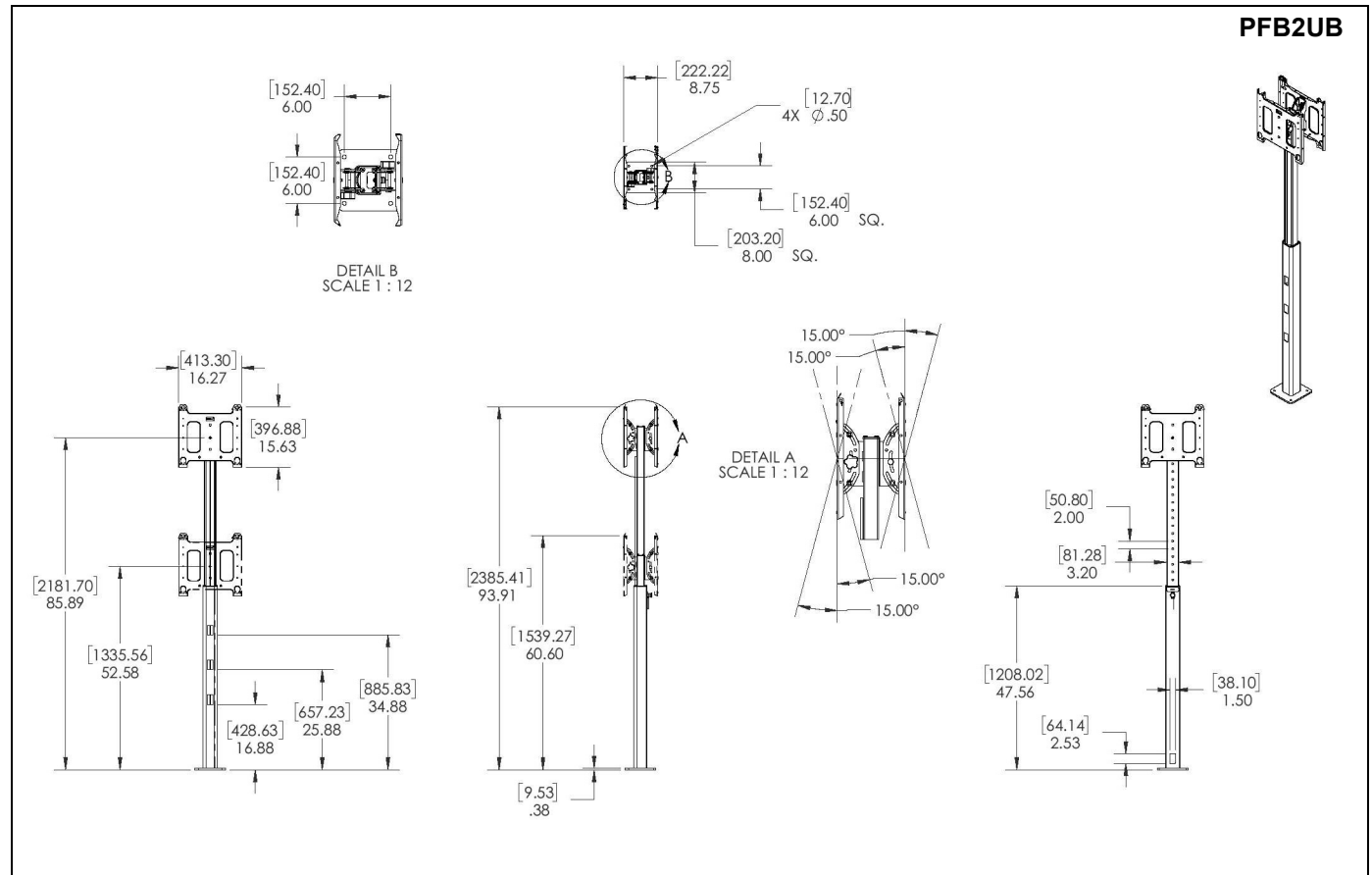
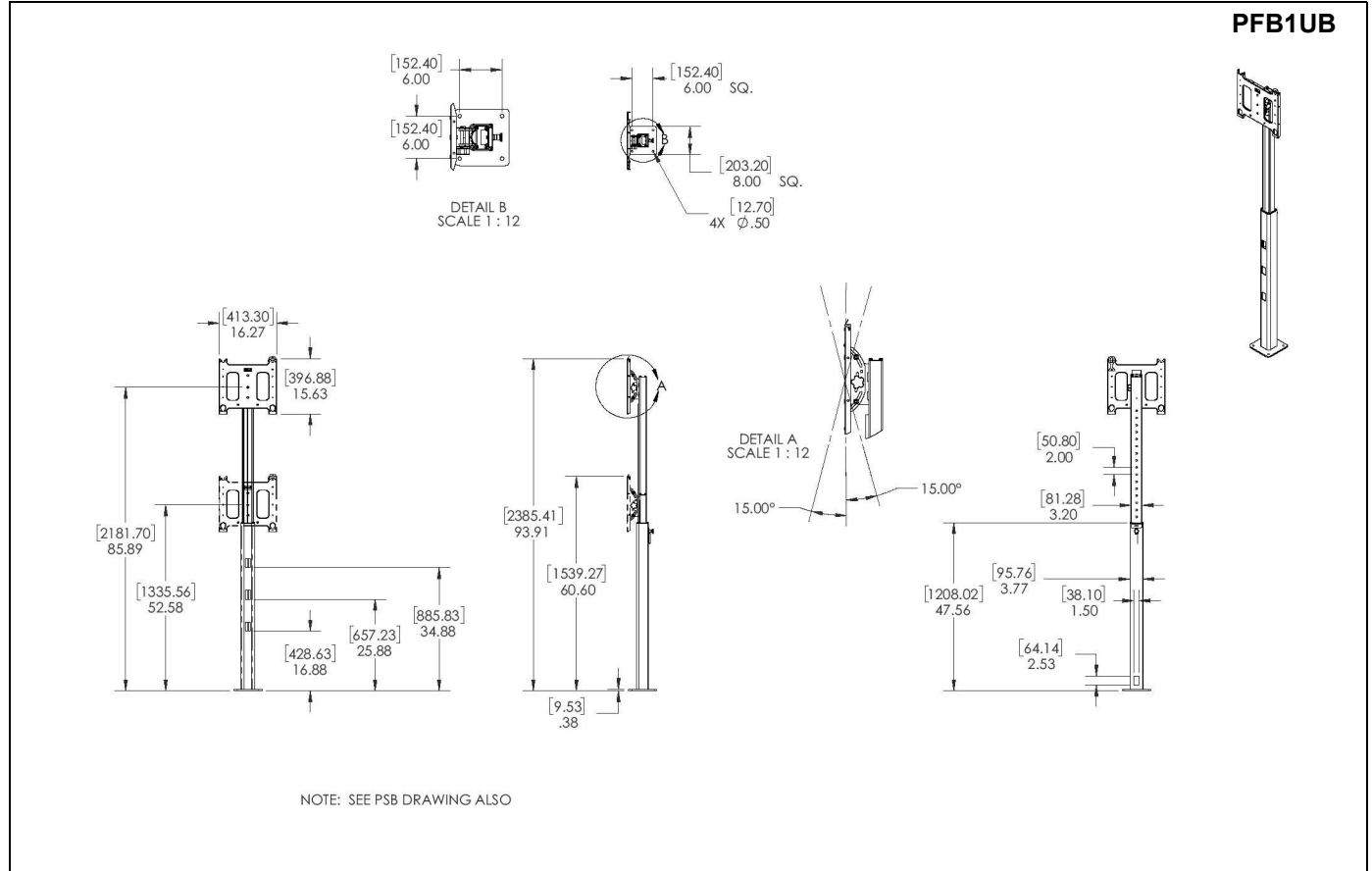


WARNING: RISK OF SERIOUS INJURY OR DEATH!
Relocating audio and/or video equipment to the stand may result in the stand collapsing or overturning onto a child. DO NOT relocate audio and/or video equipment to the stand!



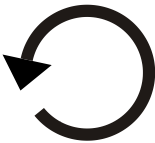









NOTE: The PFB1UB and the PFB2UB Series floor stands have no user serviceable parts.

--SAVE THESE INSTRUCTIONS--

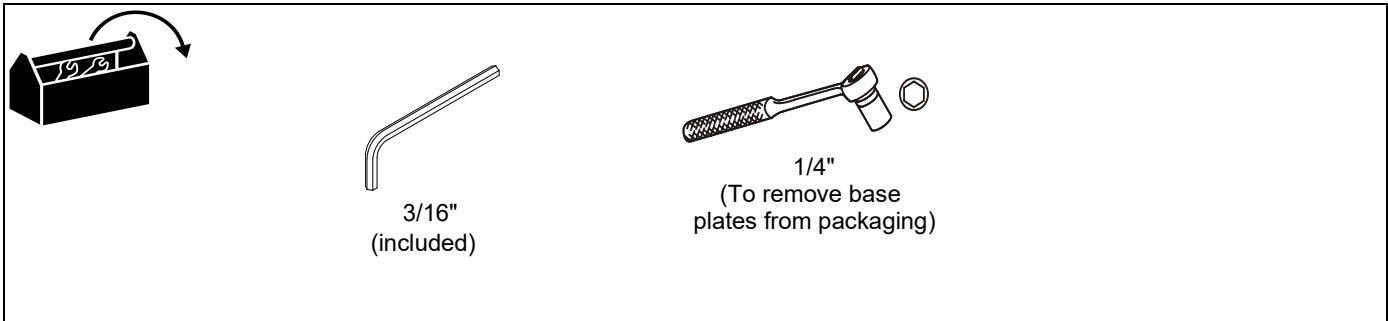
DIMENSIONS



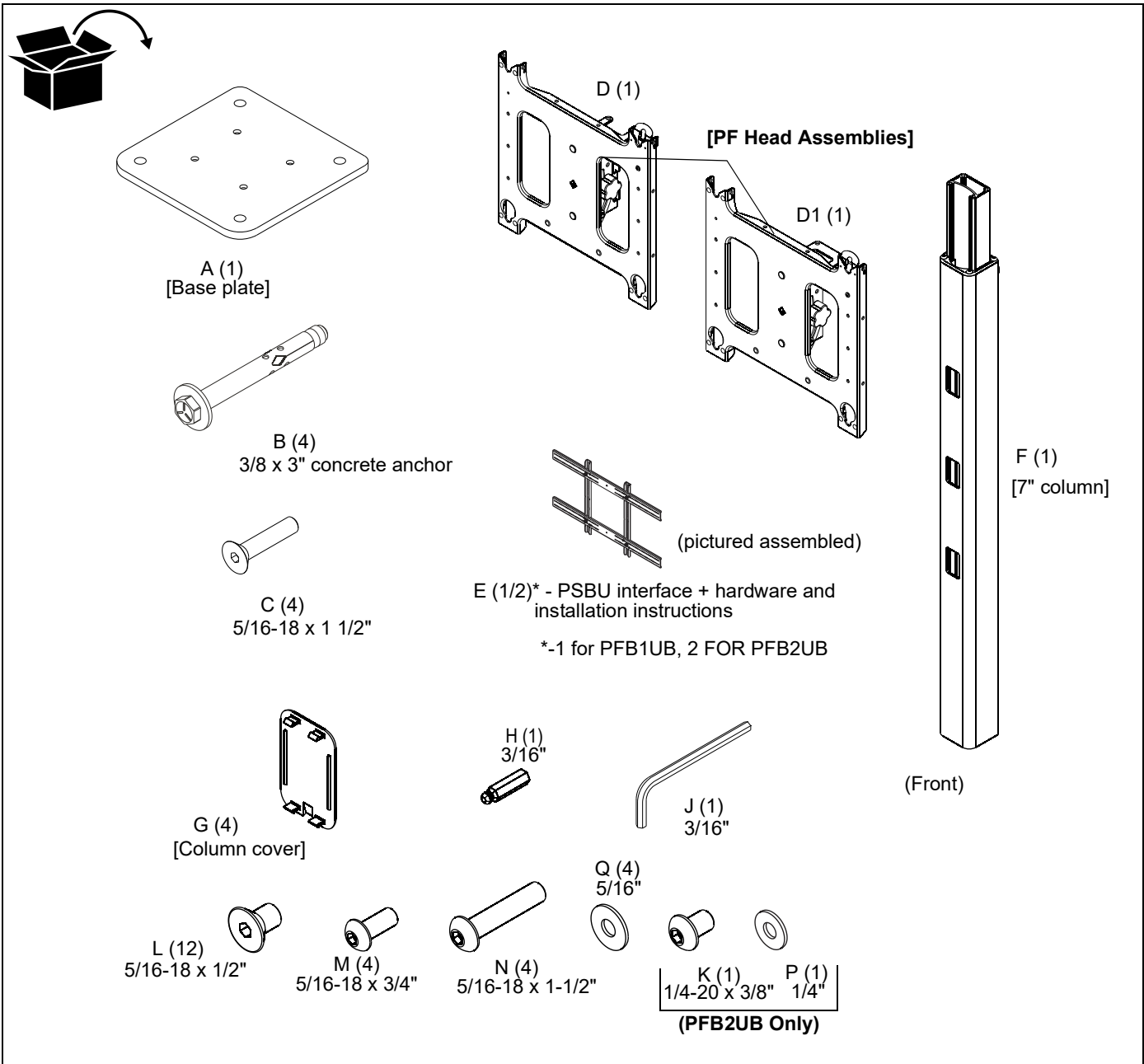
LEGEND

	<p>Tighten Fastener Apretar elemento de fijación Befestigungsteil festziehen Apertar fixador Serrare il fissaggio Bevestiging vastdraaien Serrez les fixations</p>		<p>Pencil Mark Marcar con lápiz Stiftmarkierung Marcar com lápis Segno a matita Potloodmerkteken Marquage au crayon</p>
	<p>Loosen Fastener Aflojar elemento de fijación Befestigungsteil lösen Desapertar fixador Allentare il fissaggio Bevestiging losdraaien Desserrez les fixations</p>		<p>Drill Hole Perforar Bohrloch Fazer furo Praticare un foro Gat boren Percez un trou</p>
	<p>Phillips Screwdriver Destornillador Phillips Kreuzschlitzschraubendreher Chave de fendas Phillips Cacciavite a stella Kruijkopschroevendraaier Tournevis à pointe cruciforme</p>		<p>Adjust Ajustar Einstellen Ajustar Regolare Afstellen Ajuster</p>
	<p>Open-Ended Wrench Llave de boca Gabelschlüssel Chave de bocas Chiave a punte aperte Steeksleutel Clé à fourche</p>		<p>Remove Quitar Entfernen Remover Rimuovere Verwijderen Retirez</p>
	<p>By Hand A mano Von Hand Com a mão A mano Met de hand À la main</p>		<p>Optional Opcional Optional Opcional Opzionale Optie En option</p>
	<p>Hex-Head Wrench Llave de cabeza hexagonal Sechskantschlüssel Chave de cabeça sextavada Chiave esagonale Zeskantsleutel Clé à tête hexagonale</p>		<p>Security Wrench Llave de seguridad Sicherheitsschlüssel Chave de segurança Chiave di sicurezza Veiligheidssleutel Clé de sécurité</p>

TOOLS REQUIRED FOR INSTALLATION



PARTS



ASSEMBLY



CAUTION: Attachment holes may be damaged if a power drill is used to insert button head cap screws. Screws should first be inserted and turned **BY HAND** with the hex key or with a handheld screwdriver **BEFORE** using the hex head drill bit and power drill to complete the attachment.

Assembling Base Plate to Column



CAUTION: INNER AND OUTER COLUMNS ARE SHIPPED TAPED TOGETHER. After tape is removed the inner column will be disengaged and may pinch hands!



CAUTION: Remove tape while **CAREFULLY** holding both inner and outer columns in place.

IMPORTANT ! : Press cable tie tab to loosen and remove cable tie from around knob post. (See Figure 1)

NOTE: Disengage knob on center post **BEFORE** attaching base to center post.

1. Lift up slightly on the inner column of center post and hold firmly toward top of post. (See Figure 1)
2. Pull out knob on the center post and turn 90° in either direction to disengage the locking mechanism. (See Figure 1)
3. Raise the inner column and turn the knob 90° in either direction to engage the knob and lock the column in place. (See Figure 1)

4. Attach base plate (A) to the center post (F) using four 5/16-18 x 1-1/2" flat head cap screws (C) and four 5/16" flat washers (Q). (See Figure 2)

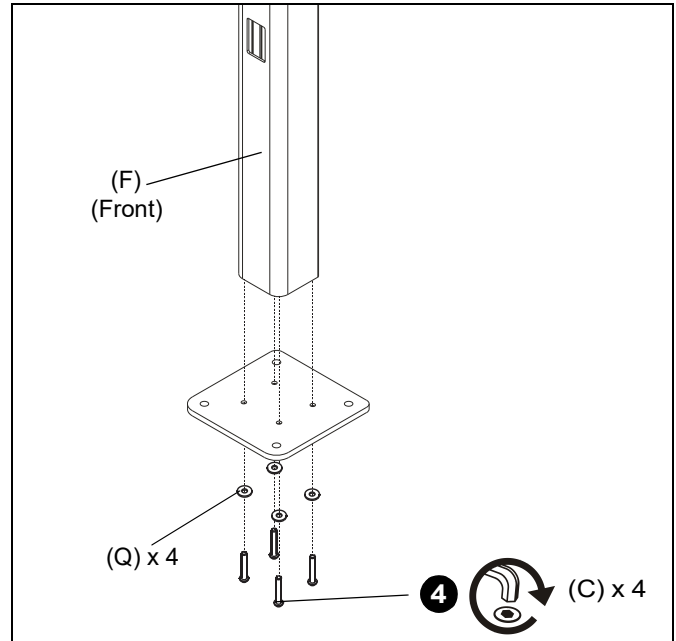


Figure 2

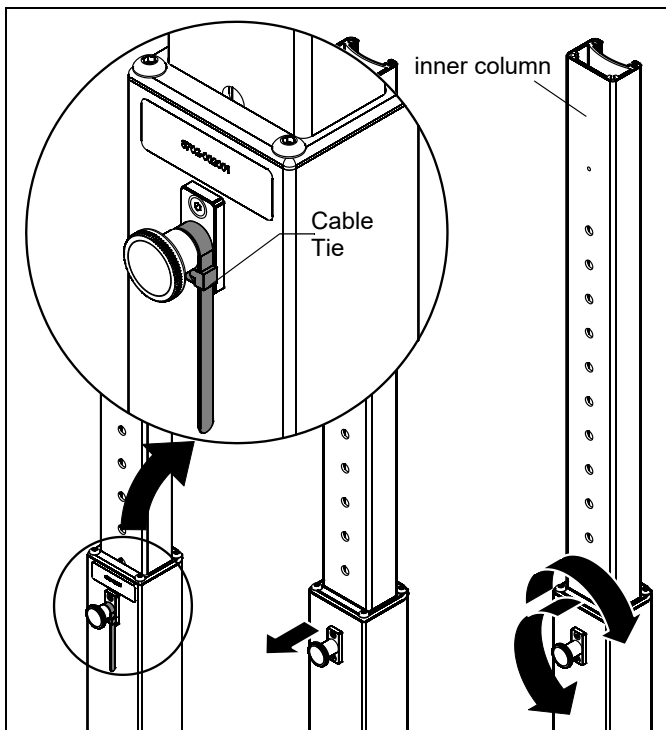


Figure 1

Attaching Base Plate to Floor

- Using bolt down plate (A) as a template, mark four holes at outside hole locations for each column. (See Figure)



WARNING: Do NOT install PFB1UB/PFB2UB mounts to any surface other than concrete! Concrete flooring must be at least 4" in thickness and NOT be covered with any other type of flooring material. Concrete anchors must be installed directly into concrete surface.

IMPORTANT ! : See Bolt Down Dimensions on page 3 to measure distances between each bolt down plate.

IMPORTANT ! : Make sure columns will be installed far enough away from any walls so that displays may be installed.

- Using a 3/8" drill bit, drill a hole 3 1/2" in depth at each marked location. (See Figure 3) and (See Figure 4)
- Blow each hole clean of any concrete debris with a large air hose or compressed air in a can. (See Figure 4)

IMPORTANT ! : Do NOT modify the anchors or advance the bolt in the anchors prior to installation!

- Place each base plate (A) on top of drilled holes making sure holes on plate are aligned with drilled holes. (See Figure 4)
- Use a hammer to drive 3/8 x 3" concrete anchors (B) through plate holes into the drilled holes until the bolt head is firmly seated against the plate. (See Figure) and (See Figure 4)
- Tighten each anchor by turning the head three to four turns past finger tight. (See Figure 4)

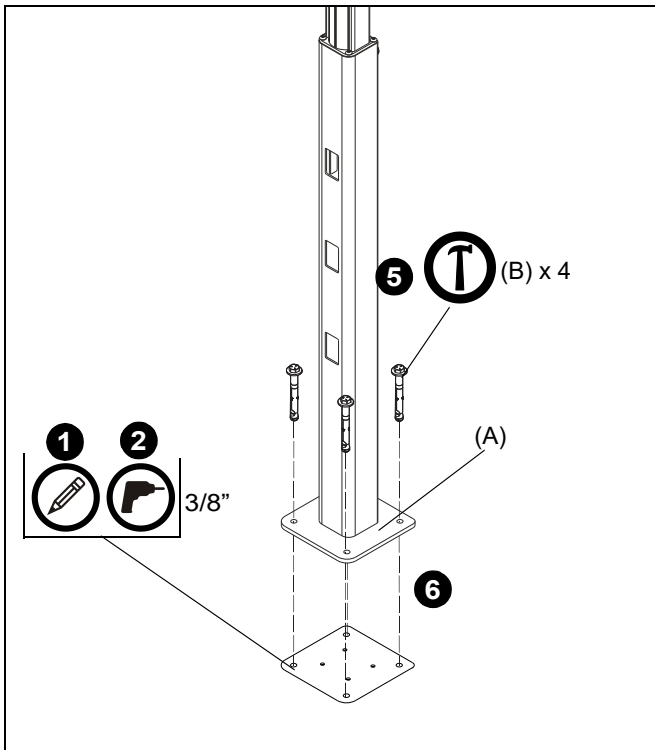


Figure 3

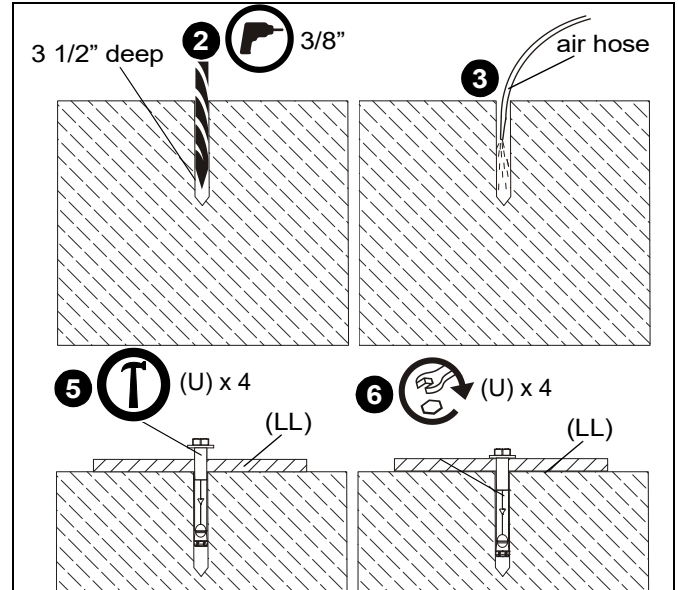


Figure 4

Attaching Single Head Assembly (PFB1UB)

IMPORTANT ! : When attaching head assembly ensure that the ClickConnect lock is at TOP of head assembly, and bracket tabs slide into the stand assembly. (See Figure 5)

- Slide head assembly (D) into the stand assembly. (See Figure 5)
- Attach head assembly to stand using four 5/16-18 x 3/4" button head cap screws (M). (See Figure 5)

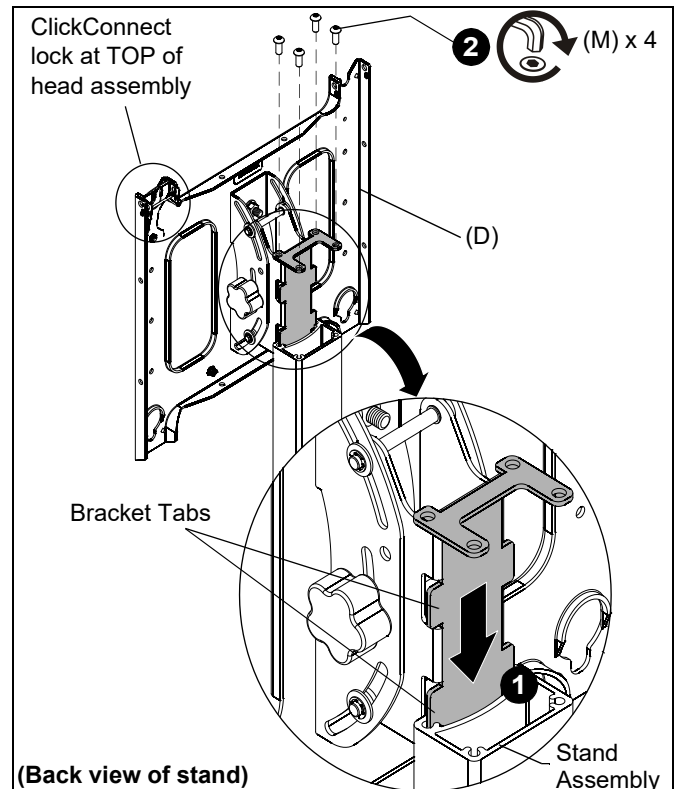


Figure 5

Attaching Dual Head Assembly (PFB2UB)

IMPORTANT ! : When attaching front head assembly ensure that the ClickConnect lock is at TOP of head assembly, and bracket tabs slide into the stand assembly. (See Figure 5)

1. Slide front head assembly (D) into the stand assembly. (See Figure 6)
2. Place back head assembly (D1) on the back of the stand assembly, and on top of the front head assembly. (See Figure 6)
3. Use four 5/16-18 x 3/4" button head cap screws (M) to fasten through both head assemblies. (See Figure 6)

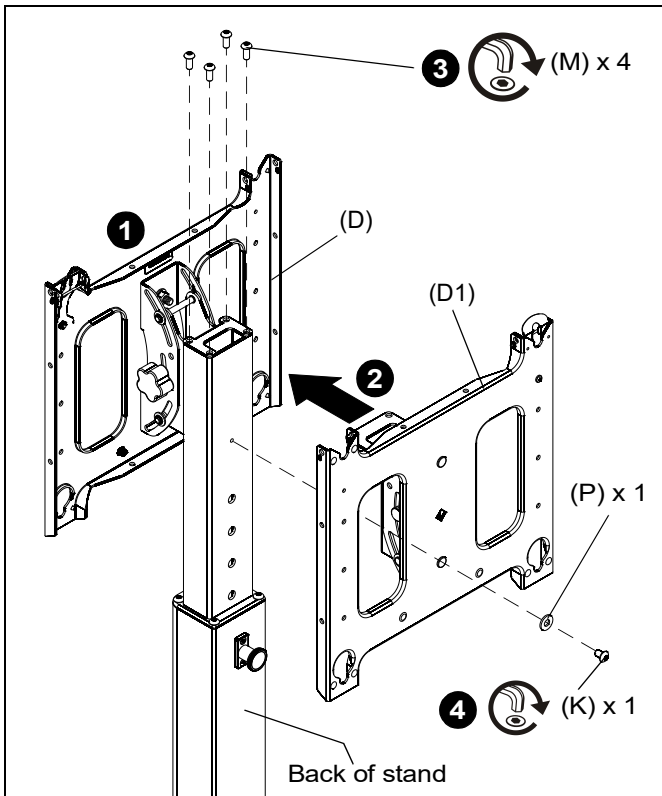


Figure 6

4. Fasten through back head assembly (D1) and back of stand assembly using one 1/4-20 x 3/8" button head cap screw (K) and one 1/4" washer (P). (See Figure 6)

Adjusting Stand Height



CAUTION: ALWAYS remove the display(s) BEFORE adjusting the height of stand.

1. Firmly grasp head assembly. (See Figure 7)

IMPORTANT ! : To avoid pinching hands, hold head assembly when adjusting stand height.

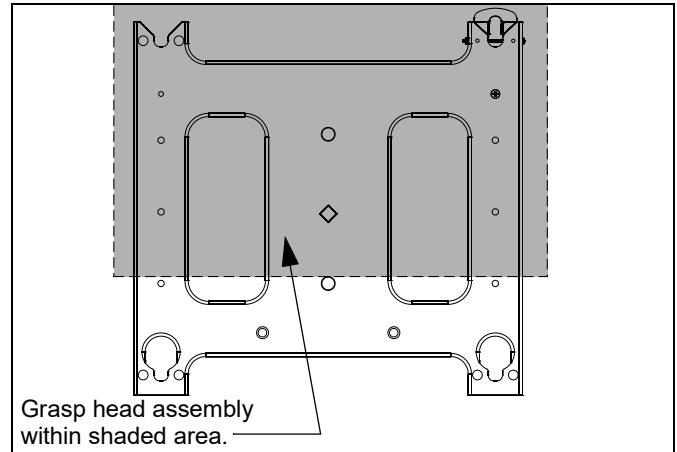


Figure 7

2. Adjust the stand to the desired height by slightly lifting the head assembly, pulling out knob on the center post and turning 90° in either direction to disengage the locking mechanism. (See Figure 8)
3. Raise or lower the center post, then turn the knob 90° either direction to engage the knob and lock the stand at desired height. (See Figure 8)

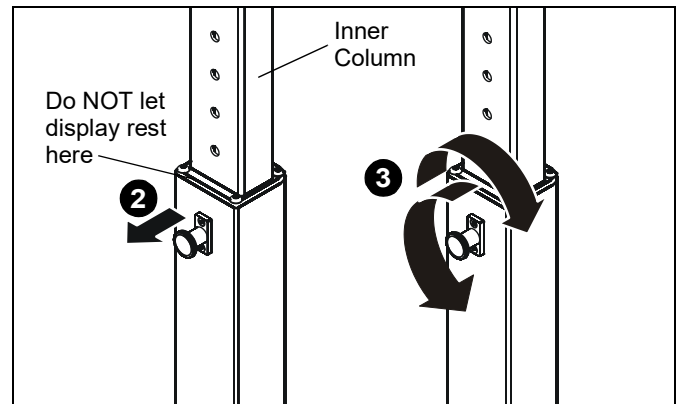


Figure 8

IMPORTANT ! : Set the height of the stand so the display does NOT rest on the lower part of the center post. (See Figure 8) Always set the height so the knob is engaged in a hole in the center post.

Attaching Display to Stand

WARNING: Exceeding the weight capacity can result in serious personal injury or damage to equipment! It is the installer's responsibility to make sure the combined weight of all accessories and components attached to the stand does not exceed 150 lbs (68 kg) for the PFB1UB, 250 lbs (113.4 kg) for the PFB2UB [125 lbs (56.7 kg) per faceplate].

CAUTION: Before attaching display(s) to the stand ensure the stand is on level surface.

CAUTION: ALWAYS remove the display(s) BEFORE adjusting the height of the stand.

1. Attach PSBU interface bracket(s) (E) to the display(s) following the instructions included with the bracket.
2. While supporting both sides of display, align four mounting buttons on display or interface bracket with four mounting holes in head assembly. (See Figure 9) and (See Figure 10)

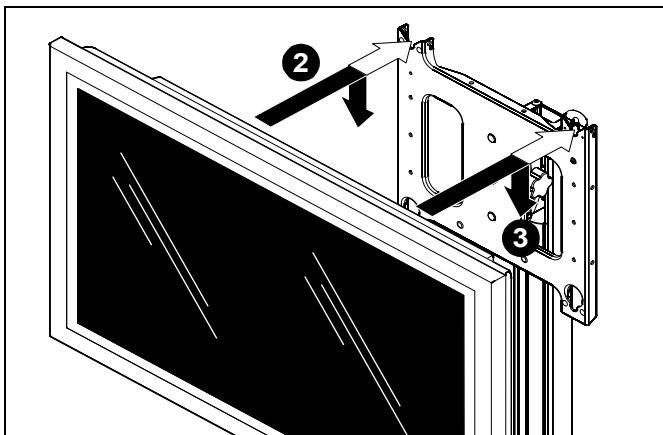


Figure 9

WARNING: EACH DISPLAY MAY WEIGH IN EXCESS OF 40 LBS! Always use two people and proper lifting techniques when installing or positioning display on stand.

3. Lower display into place listening for audible "click" to ensure recessed area of mounting buttons are properly seated in lower area of mounting holes. (See Figure 9) and (See Figure 10)

WARNING: IMPROPER INSTALLATION CAN LEAD TO STAND OR DISPLAY FALLING CAUSING SERIOUS PERSONAL INJURY OR DAMAGE TO EQUIPMENT! Ensure mounting buttons are completely engaged in mounting holes.

NOTE: Holes are provided in the faceplate for use with a padlock or similar locking device, if desired. In addition, the pin and nut may be removed from the upper holes and moved to the lower holes for use as a more permanent locking device. (See Figure 10)

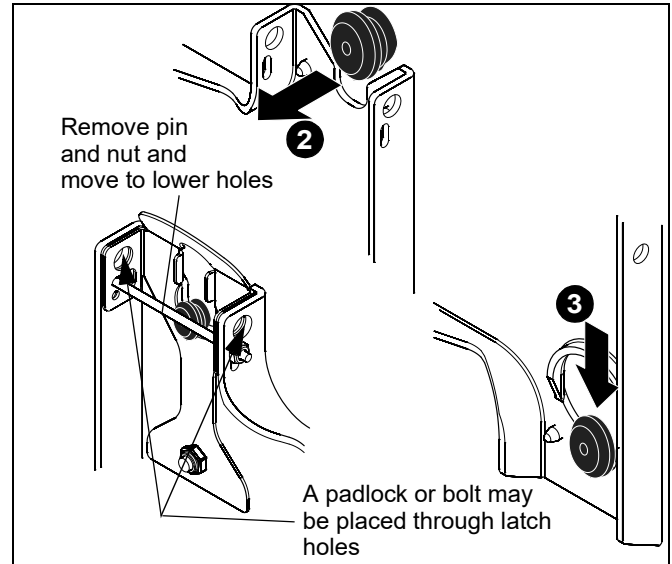


Figure 10

Tilting Display

The display(s) can be tilted up to 15° either backward or forward from a straight upright position. In a dual stand, the tilting is only restricted by the size of the display.

1. Turn knob counterclockwise on back of head assembly to loosen the tilt. (See Figure 11)

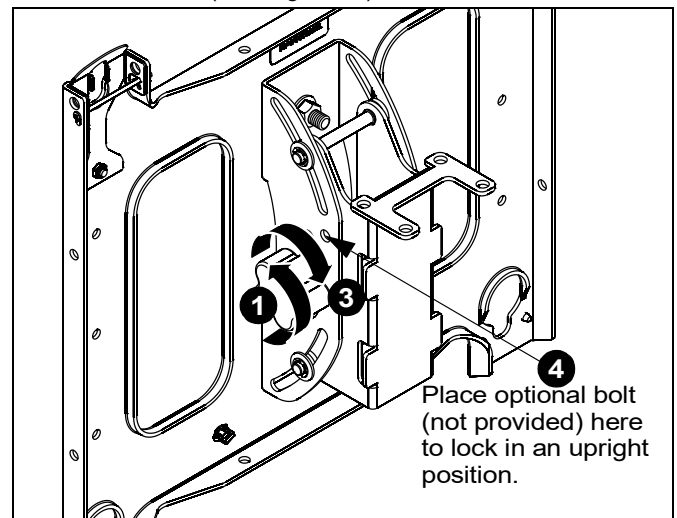


Figure 11

2. Tilt display as desired, to a maximum of 15° either forward or backward.
3. Turn knob clockwise to tighten display on head assembly. (See Figure 11)

CAUTION: Tighten knob on back of head assembly to prevent damage to the stand.

4. If leaving the display in a straight upright position, it is recommended that a bolt (not provided) be placed through the head assembly (See Figure 11) to lock the display into the upright position.

Cable Management

1. Signal cables can be run down the front flap of the center post and out the front of the post at any of the openings. (See Figure 12)
2. The display power cord can be run through the top and down through the post to exit out the back. (See Figure 12)
3. Any accessory power cords can be run through the front and down through the post to exit out the back. (See Figure 12)
4. Install the snap-on covers to any opening that is not being used. (See Figure 12)
5. To remove the snap-on covers, grip the sides of the cover in the middle and pull off. They can also be removed by inserting a flat-blade screwdriver into the bottom slot and prying them off.

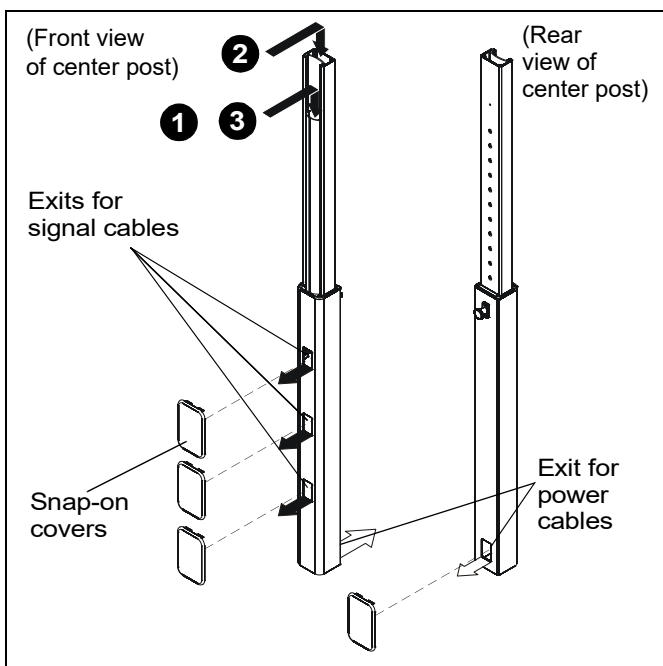


Figure 12

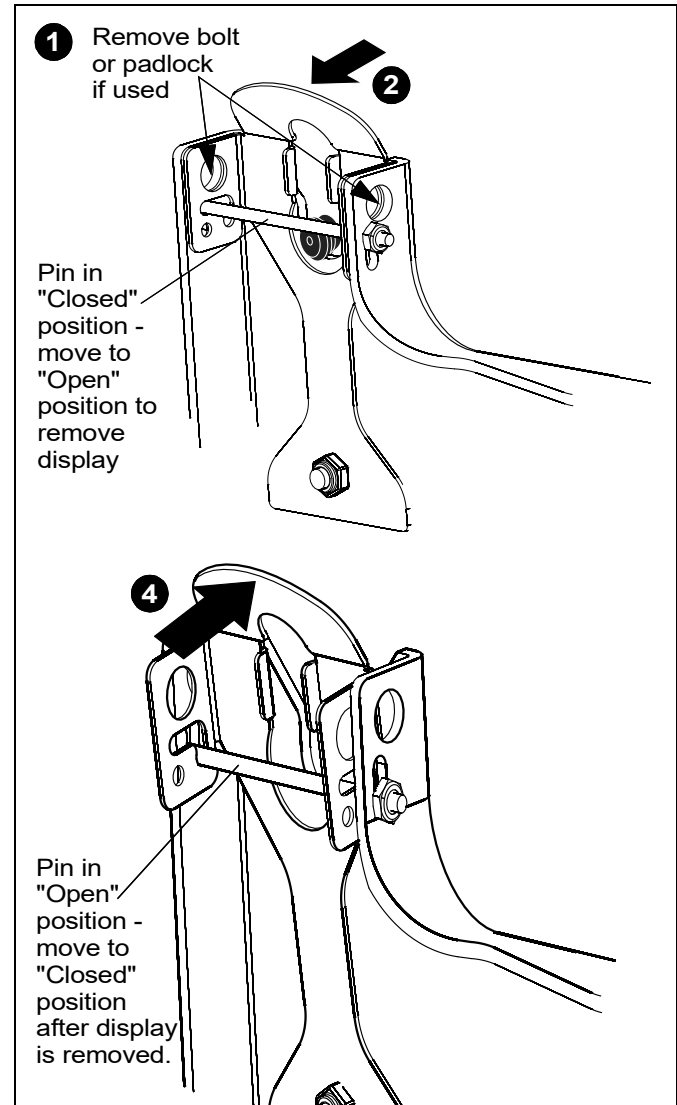


Figure 13

Removing Display(s) from Stand

1. Remove bolt or padlock from faceplate (if used).

NOTE: The pin may have been used as a more permanent locking device. If so, remove nut and pin and move from the lower holes to the upper holes.

2. Pull back on flag on upper mounting hole and press pin down into "Open" position. (See Figure 13)



WARNING: EACH DISPLAY MAY WEIGH IN EXCESS OF 40 LBS! Always use two people and proper lifting techniques when installing or positioning display on stand.

3. Carefully lift display(s) from stand.
4. Lift up on pin and place flag back against faceplate to return it to "Closed" position.



Our Mounts. **Your Vision.**

Chief, a products division of
Milestone AV Technologies

8800-003078 Rev01
©2018 Milestone AV Technologies
www.milestone.com
07/18

USA/International	A 6436 City West Parkway, Eden Prairie, MN 55344
	P 800.582.6480 / 952.225.6000
	F 877.894.6918 / 952.894.6918
Europe	A Franklinstraat 14, 6003 DK Weert, Netherlands
	P +31 (0) 495 580 852
	F +31 (0) 495 580 845
Asia Pacific	A Office No. 918 on 9/F, Shatin Galleria 18-24 Shan Mei Street Fotan, Shatin, Hong Kong
	P 852 2145 4099
	F 852 2145 4477

