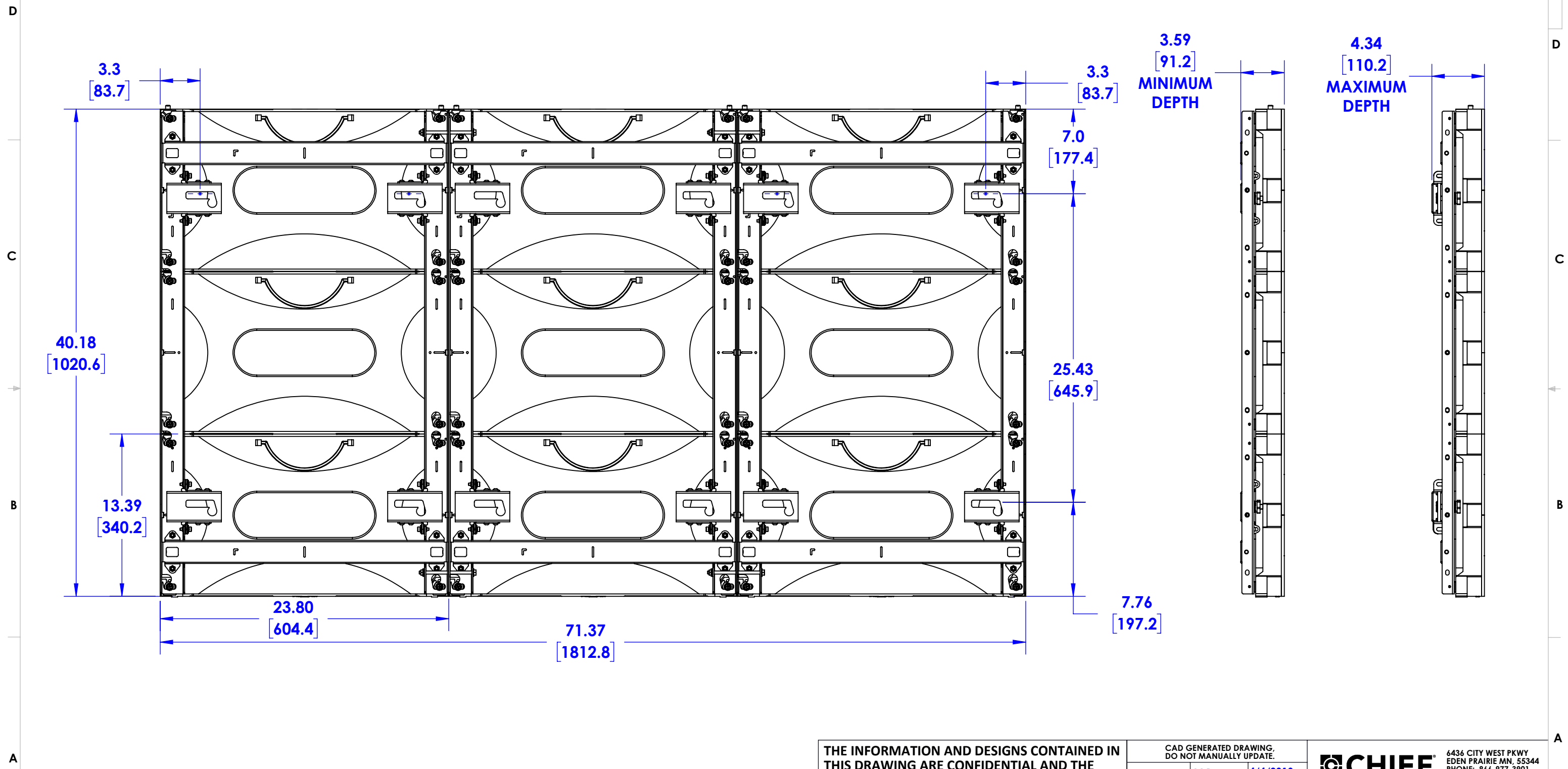


CREATED USING 3 TIL1X3PT

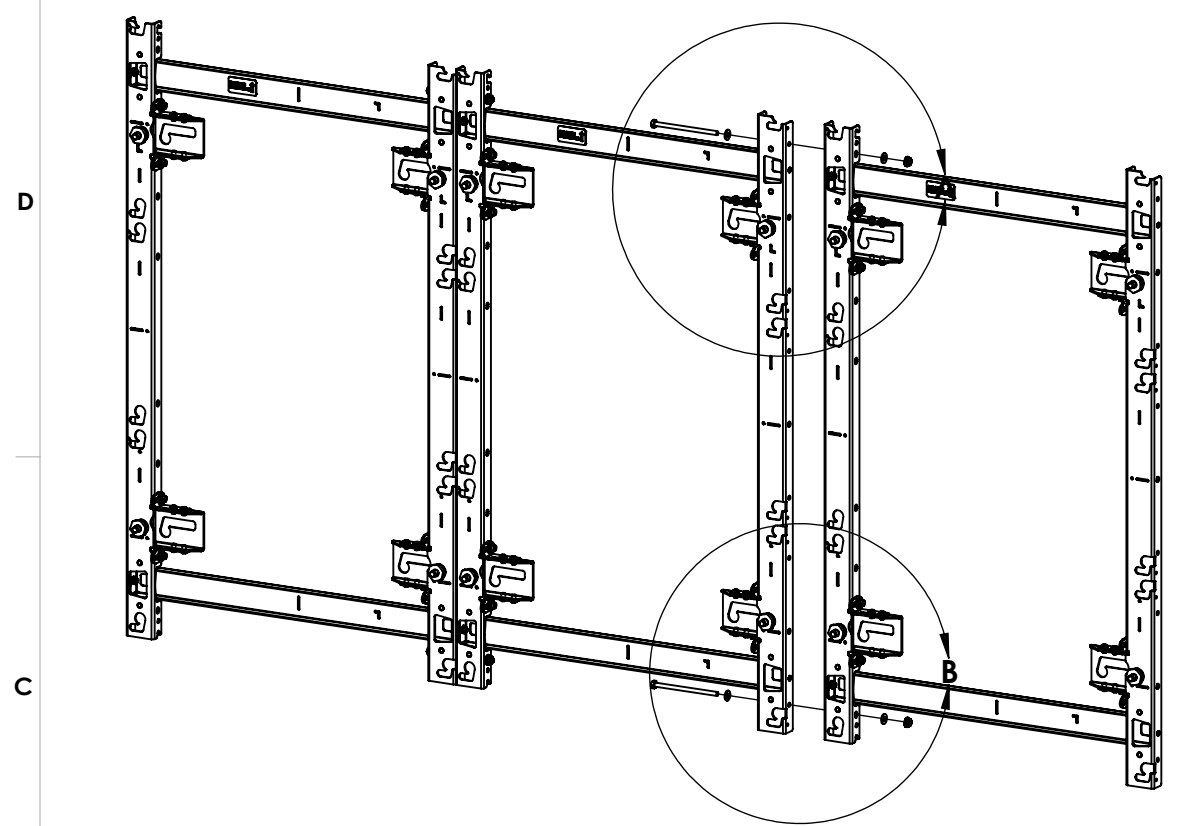
THE INFORMATION AND DESIGNS CONTAINED IN THIS DRAWING ARE CONFIDENTIAL AND THE PROPRIETARY PROPERTY OF MILESTONE AV TECHNOLOGIES NEITHER THIS DESIGN NOR ANY INFORMATION CONTAINED IN THIS DRAWING MAY BE REPRODUCED OR DISCLOSED TO OTHERS WITHOUT THE EXPRESS WRITTEN CONSENT OF MILESTONE AV TECHNOLOGIES.

CAD GENERATED DRAWING, DO NOT MANUALLY UPDATE.		<p>6436 CITY WEST PKWY EDEN PRAIRIE MN, 55344 PHONE: 866-977-3901 FAX: 877-894-6918</p>
DRAWN BY	JAB 4/4/2019	
ENG APPROVAL		DESCRIPTION
MFG APPROVAL		TILED 3 X 3 CONFIGURATION
QA APPROVAL		MODEL NO.
		TILED SERIES
SHEET 1 OF 3	SCALE 1:8	SIZE B
		DWG. NO. TECH-000988
		REV. 00

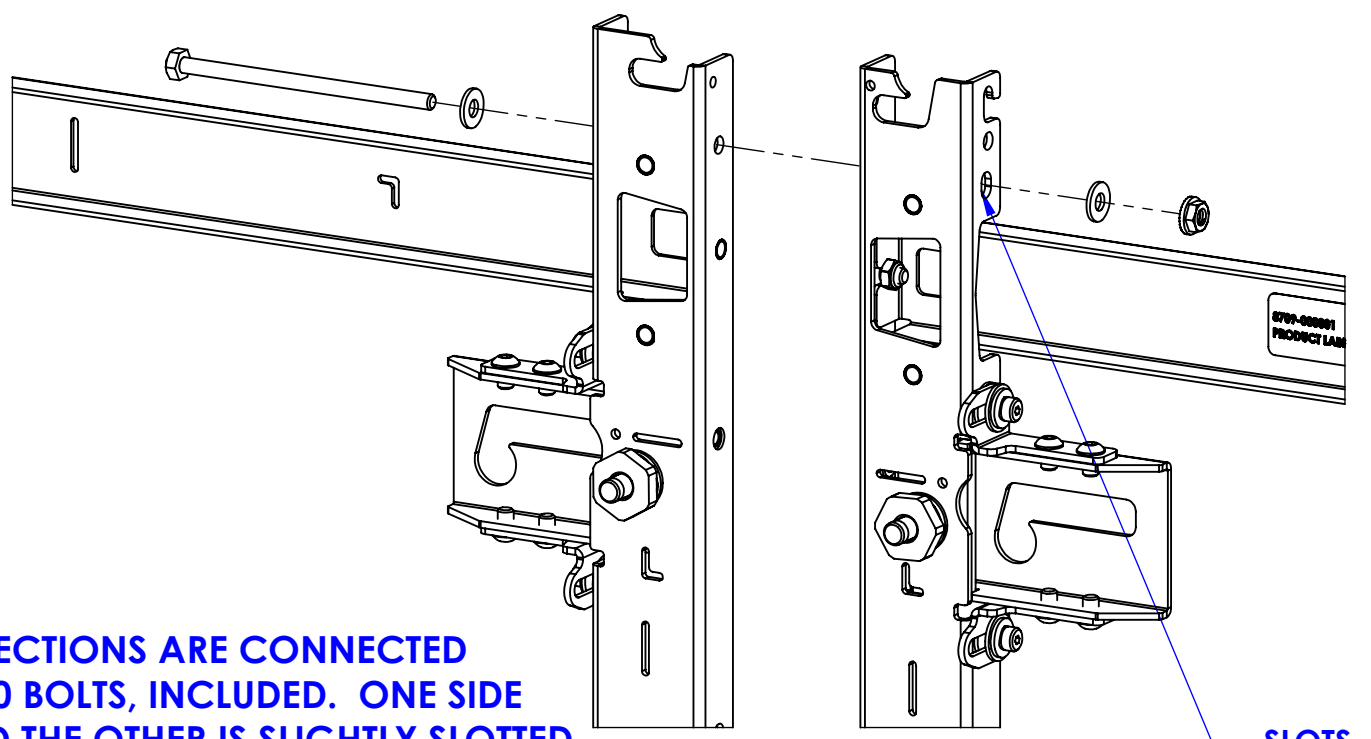


THE INFORMATION AND DESIGNS CONTAINED IN THIS DRAWING ARE CONFIDENTIAL AND THE PROPRIETARY PROPERTY OF MILESTONE AV TECHNOLOGIES NEITHER THIS DESIGN NOR ANY INFORMATION CONTAINED IN THIS DRAWING MAY BE REPRODUCED OR DISCLOSED TO OTHERS WITHOUT THE EXPRESS WRITTEN CONSENT OF MILESTONE AV TECHNOLOGIES.

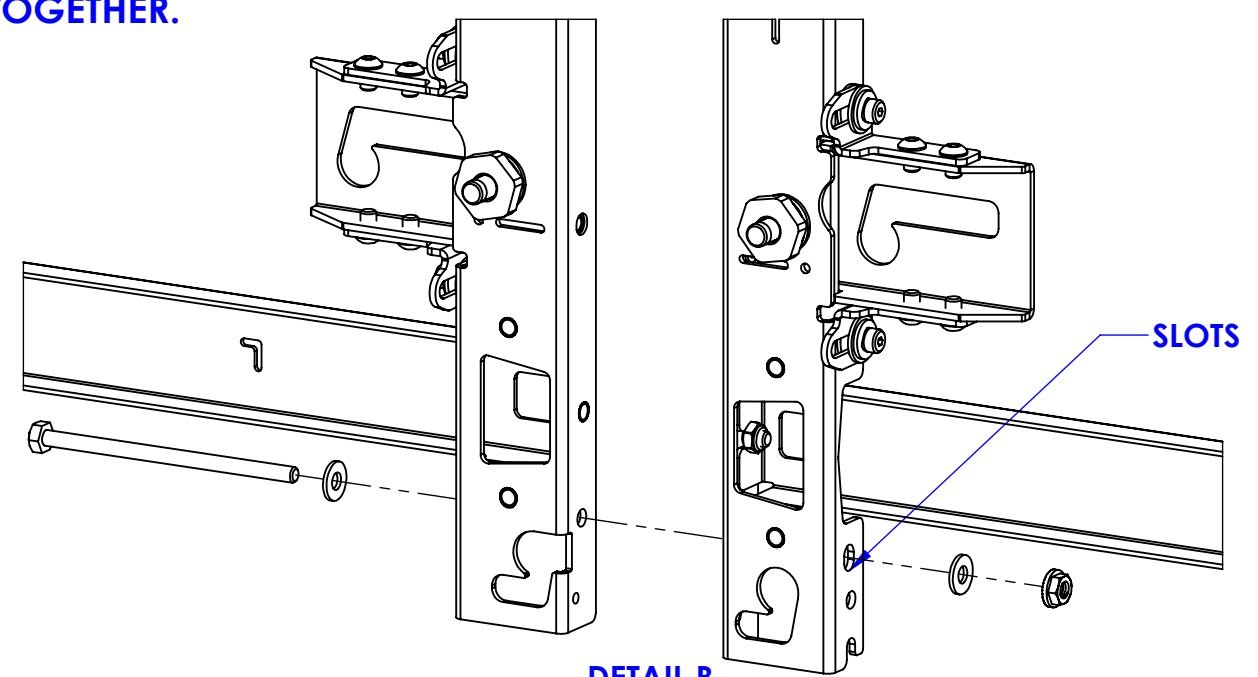
CAD GENERATED DRAWING, DO NOT MANUALLY UPDATE.			6436 CITY WEST PKWY EDEN PRAIRIE MN, 55344 PHONE: 866-977-3901 FAX: 877-894-6918	
DRAWN BY	JAB	4/4/2019	DESCRIPTION	
ENG APPROVAL			TILED 3 X 3 CONFIGURATION	
MFG APPROVAL			MODEL NO.	
QA APPROVAL			TILED SERIES	
SHEET 2 OF 3		SCALE 1:8	SIZE B	DWG. NO. TECH-000988
				REV. 00



MOUNT SECTIONS ARE CONNECTED USING 1/4-20 BOLTS, INCLUDED. ONE SIDE HAS HOLES AND THE OTHER IS SLIGHTLY SLOTTED TO ALLOW FOR ANY ADJUSTMENT PRIOR TO TIGHTENING AND CLAMPING THE MOUNTS TOGETHER.



**DETAIL A
SCALE 1 : 3**



**DETAIL B
SCALE 1 : 3**

THE INFORMATION AND DESIGNS CONTAINED IN THIS DRAWING ARE CONFIDENTIAL AND THE PROPRIETARY PROPERTY OF MILESTONE AV TECHNOLOGIES NEITHER THIS DESIGN NOR ANY INFORMATION CONTAINED IN THIS DRAWING MAY BE REPRODUCED OR DISCLOSED TO OTHERS WITHOUT THE EXPRESS WRITTEN CONSENT OF MILESTONE AV TECHNOLOGIES.

CAD GENERATED DRAWING, DO NOT MANUALLY UPDATE.				6436 CITY WEST PKWY EDEN PRAIRIE MN, 55344 PHONE: 866-977-3901 FAX: 877-894-6918	
DRAWN BY	JAB	4/4/2019	DESCRIPTION		
ENG APPROVAL			TILED 3 X 3 CONFIGURATION		
MFG APPROVAL			MODEL NO.		
QA APPROVAL			TILED SERIES		
SHEET 3 OF 3		SCALE	SIZE	DWG. NO.	REV.
		1:12	B	TECH-000988	00