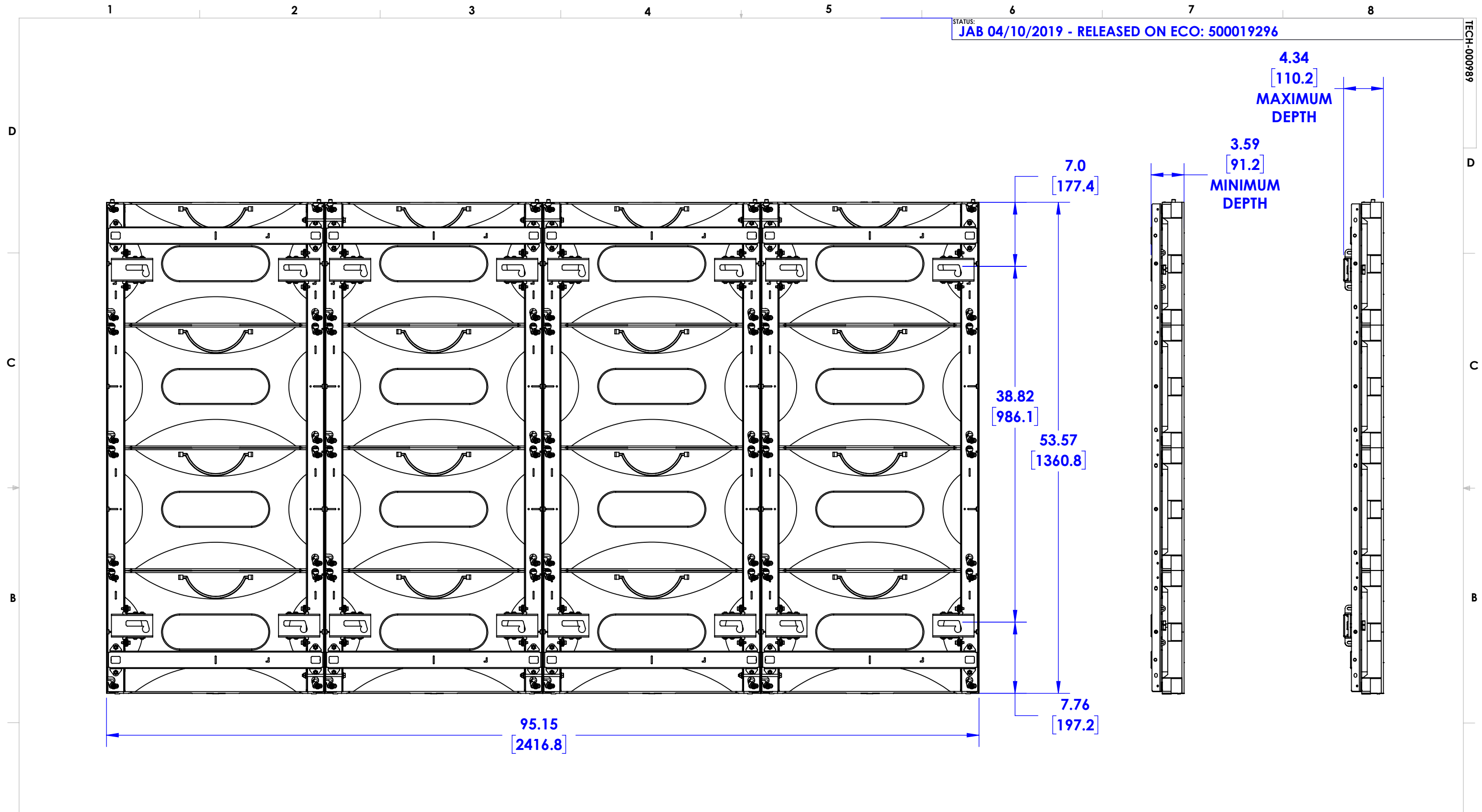


CREATED USING FOUR TIL1X4PT

THE INFORMATION AND DESIGNS CONTAINED IN THIS DRAWING ARE CONFIDENTIAL AND THE PROPRIETARY PROPERTY OF MILESTONE AV TECHNOLOGIES NEITHER THIS DESIGN NOR ANY INFORMATION CONTAINED IN THIS DRAWING MAY BE REPRODUCED OR DISCLOSED TO OTHERS WITHOUT THE EXPRESS WRITTEN CONSENT OF MILESTONE AV TECHNOLOGIES.

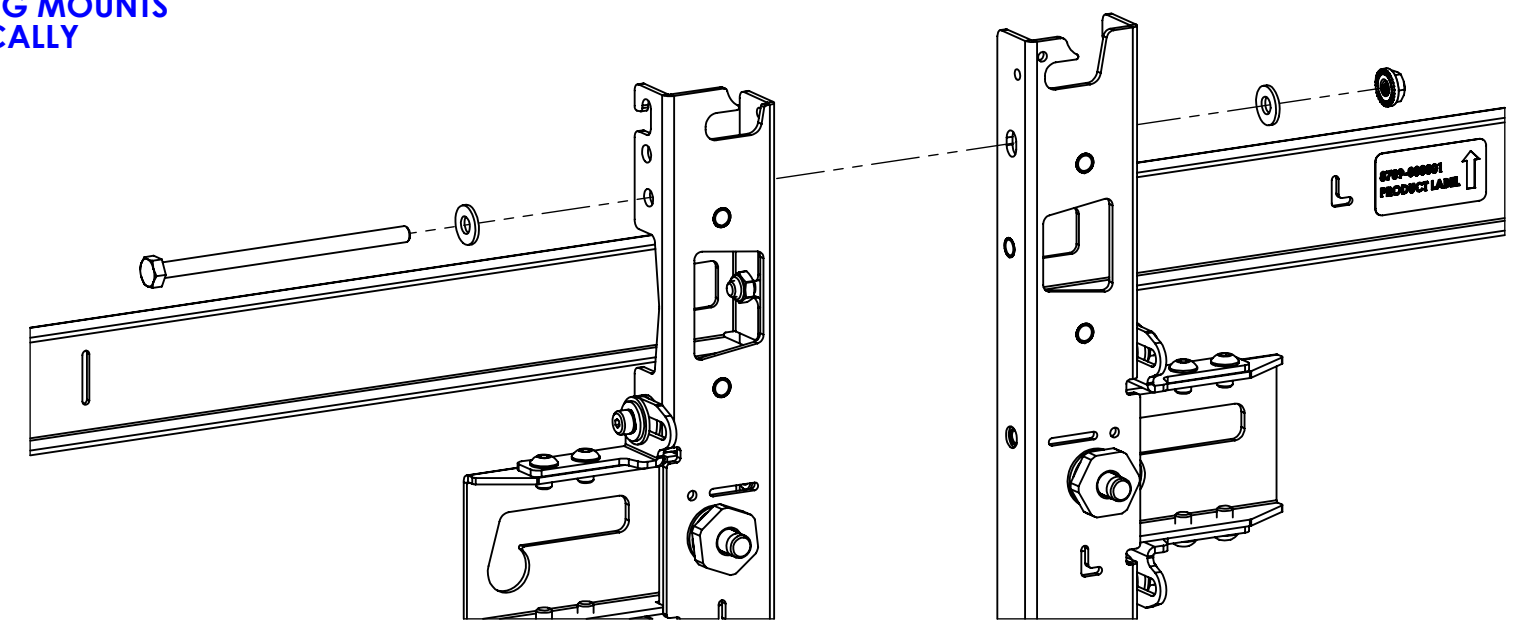
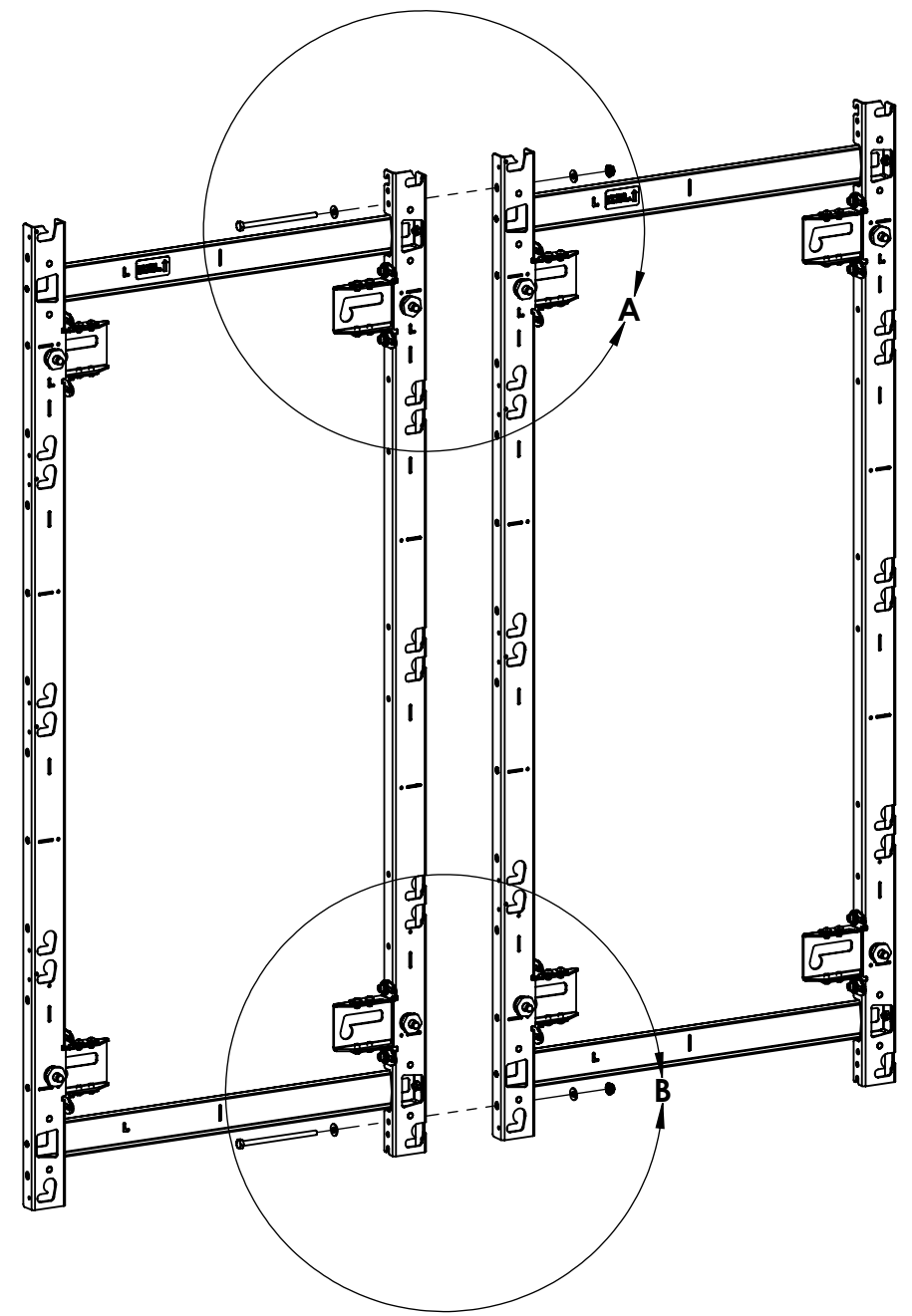
CAD GENERATED DRAWING, DO NOT MANUALLY UPDATE.				6436 CITY WEST PKWY EDEN PRAIRIE MN, 55344 PHONE: 866-977-3901 FAX: 877-894-6918	
DRAWN BY	JAB	3/28/2019	DESCRIPTION		
ENG APPROVAL			TILED 4 X 4 CONFIGURATION		
MFG APPROVAL			MODEL NO.		
QA APPROVAL			TILED SERIES		
SHEET 1 OF 3		SCALE 1:10	SIZE B	DWG. NO. TECH-000989	REV. 00



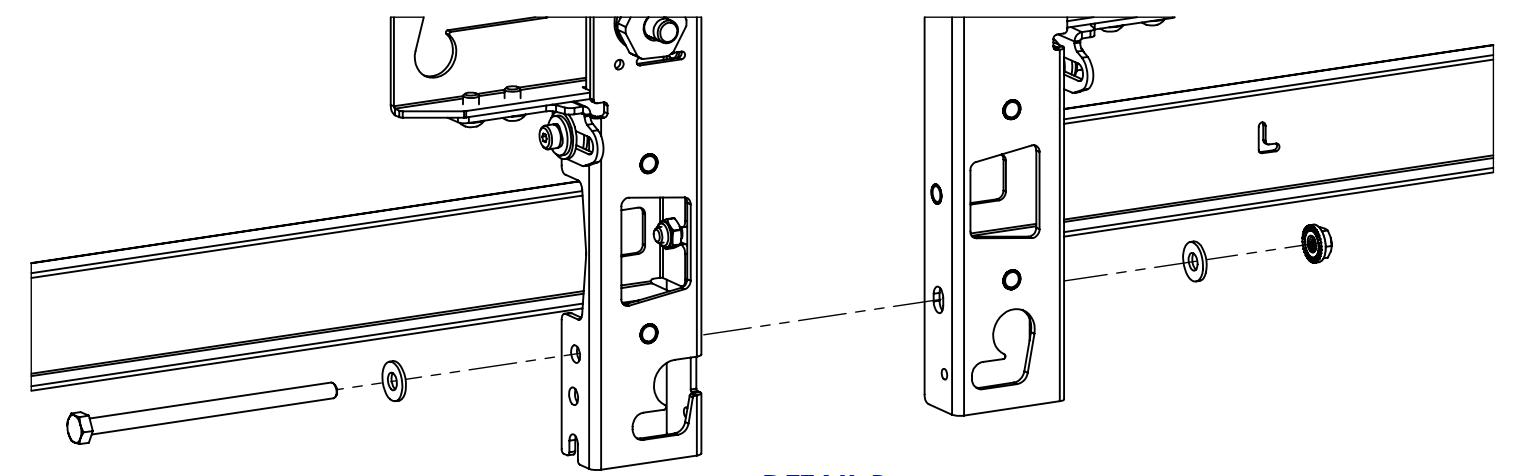
THE INFORMATION AND DESIGNS CONTAINED IN THIS DRAWING ARE CONFIDENTIAL AND THE PROPRIETARY PROPERTY OF MILESTONE AV TECHNOLOGIES NEITHER THIS DESIGN NOR ANY INFORMATION CONTAINED IN THIS DRAWING MAY BE REPRODUCED OR DISCLOSED TO OTHERS WITHOUT THE EXPRESS WRITTEN CONSENT OF MILESTONE AV TECHNOLOGIES.

CAD GENERATED DRAWING, DO NOT MANUALLY UPDATE.		6436 CITY WEST PKWY EDEN PRAIRIE MN, 55344 PHONE: 866-977-3901 FAX: 877-894-6918	
DRAWN BY	JAB	3/28/2019	DESCRIPTION
ENG APPROVAL			TILED 4 X 4 CONFIGURATION
MFG APPROVAL			MODEL NO.
QA APPROVAL			TILED SERIES
SHEET 2 OF 3		SCALE	SIZE DWG. NO. REV.
		1:10	B TECH-000989 00

CONNECTING MOUNTS VERTICALLY



DETAIL A
SCALE 1 : 3



DETAIL B
SCALE 1 : 3

THE INFORMATION AND DESIGNS CONTAINED IN THIS DRAWING ARE CONFIDENTIAL AND THE PROPRIETARY PROPERTY OF MILESTONE AV TECHNOLOGIES NEITHER THIS DESIGN NOR ANY INFORMATION CONTAINED IN THIS DRAWING MAY BE REPRODUCED OR DISCLOSED TO OTHERS WITHOUT THE EXPRESS WRITTEN CONSENT OF MILESTONE AV TECHNOLOGIES.

CAD GENERATED DRAWING, DO NOT MANUALLY UPDATE.				6436 CITY WEST PKWY EDEN PRAIRIE MN, 55344 PHONE: 866-977-3901 FAX: 877-894-6918	
DRAWN BY	JAB	3/28/2019	DESCRIPTION		
ENG APPROVAL			TILED 4 X 4 CONFIGURATION		
MFG APPROVAL			MODEL NO.		
QA APPROVAL			TILED SERIES		
SHEET 3 OF 3		SCALE 1:10	SIZE B	DWG. NO. TECH-000989	REV. 00